

[54] HANDLE

[75] Inventors: Richard Miles, Guildford; Stephen T. Green, Clanfield, both of England

[73] Assignee: Samsonite Corporation, Denver, Colo.

[**] Term: 14 Years

[21] Appl. No.: 602,869

[22] Filed: Apr. 23, 1984

[30] Foreign Application Priority Data

Nov. 1, 1983 [GB] United Kingdom 1016032

[52] U.S. Cl. D8/306

[58] Field of Search D8/300, 301, 306; D3/72; 190/39, 115, 116, 117; 16/110 R, 126

[56] References Cited

U.S. PATENT DOCUMENTS

- D. 196,424 10/1963 Aré et al. D8/306
- D. 208,113 7/1967 Shiffman D3/72
- D. 230,252 2/1974 Wilkes et al. D8/306
- 4,544,050 10/1985 Seynhaeve 190/115

FOREIGN PATENT DOCUMENTS

0628171 2/1963 Belgium 190/115

Primary Examiner—B. J. Bullock

Attorney, Agent, or Firm—D. Michael Clayton; Gregory W. O'Connor

[57] CLAIM

The ornamental design for a handle, as shown and described.

DESCRIPTION

FIG. 1 is a perspective view of a handle showing our new design, the suitcase being shown in broken lines for illustrative purposes only;

FIG. 2 is an enlarged, left side elevational view thereof;

FIG. 3 is an enlarged, front elevational view thereof;

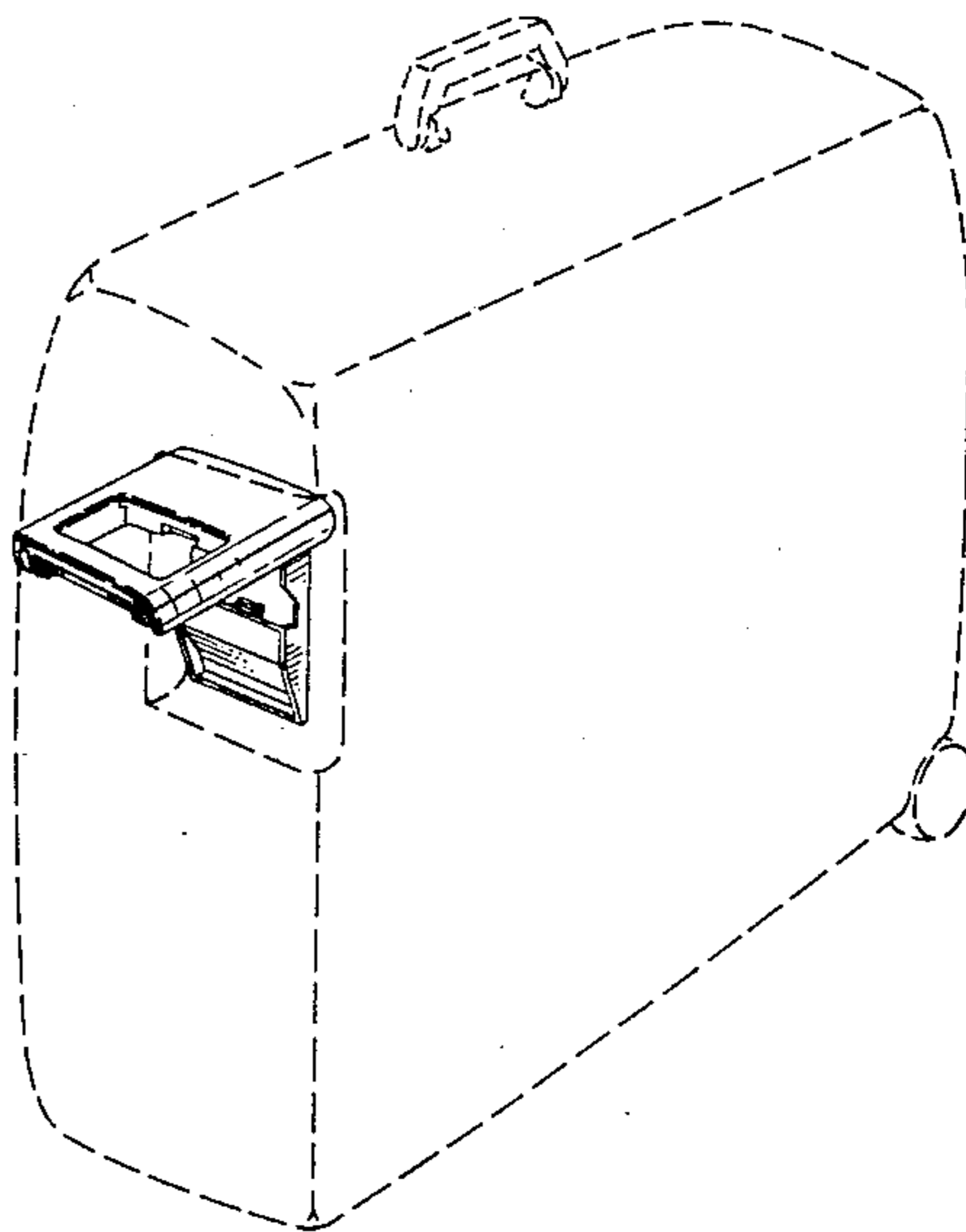
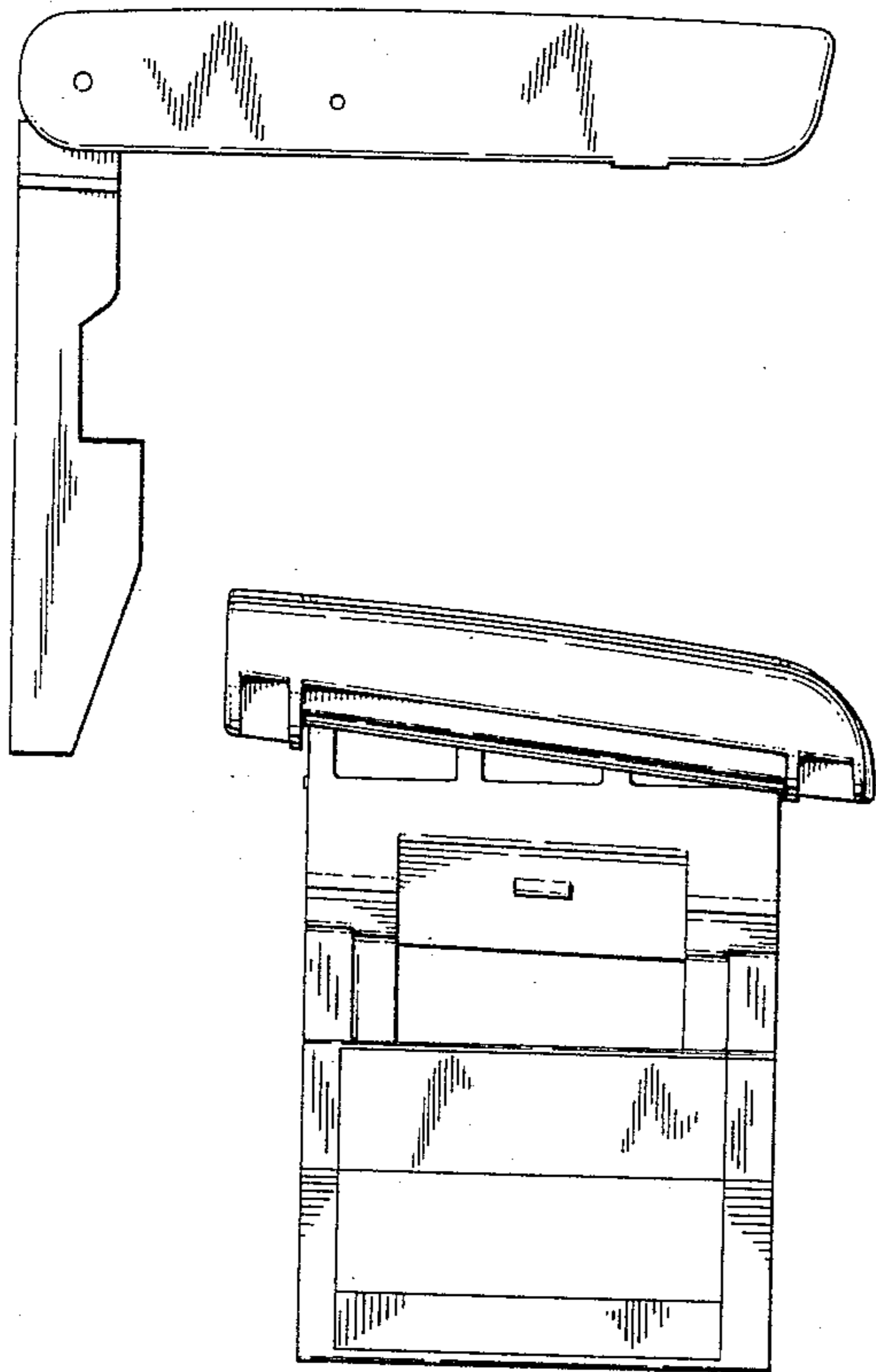
FIG. 4 is an enlarged top perspective view of the gripping portion shown separately for ease of illustration;

FIG. 5 is a side elevational view taken from the rear of FIG. 4;

FIG. 6 is a bottom plan view of FIG. 4;

FIG. 7 is a sectional view taken in the direction of the arrows on line 7—7 of FIG. 6.

The rear of the handle is unornamented.



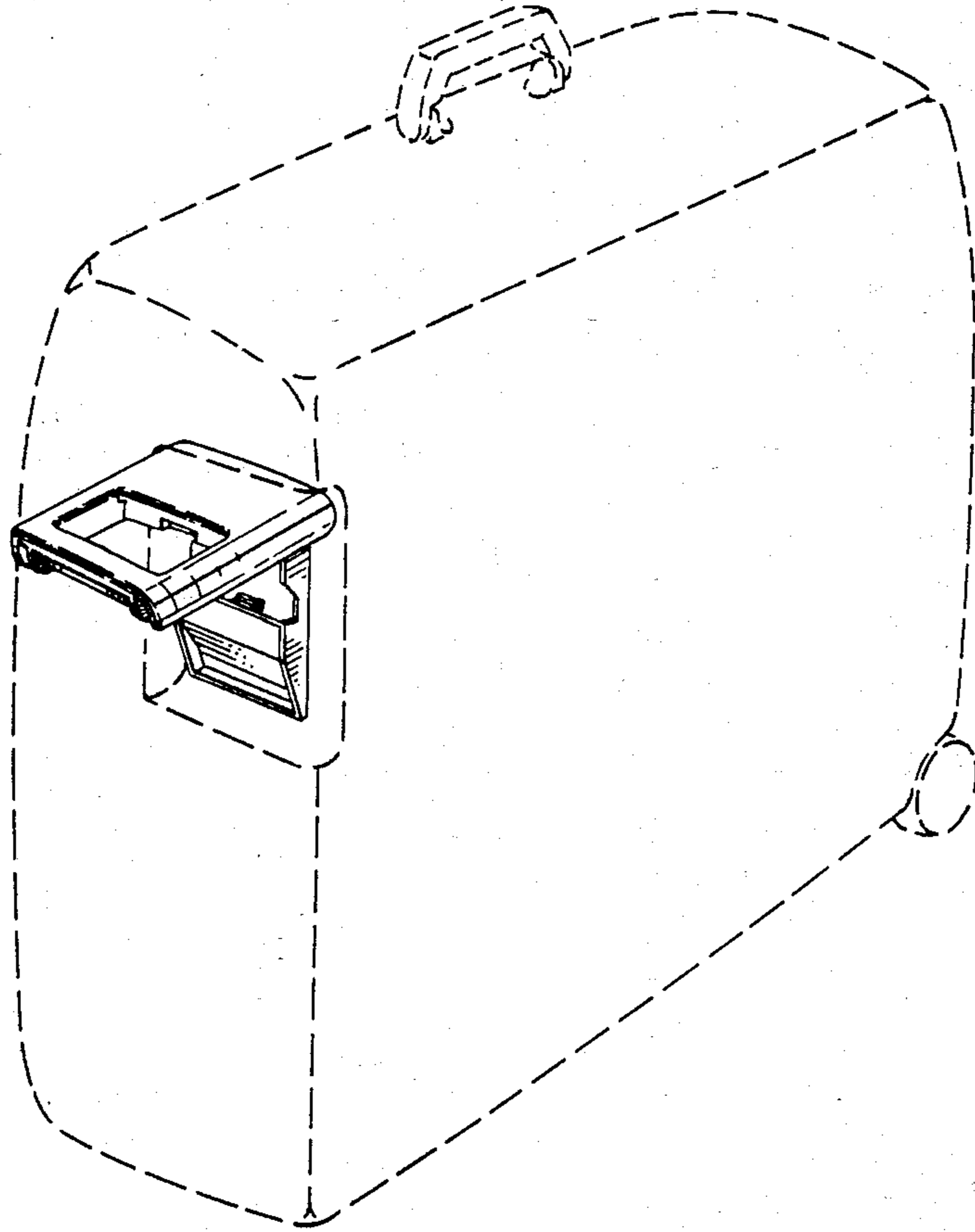
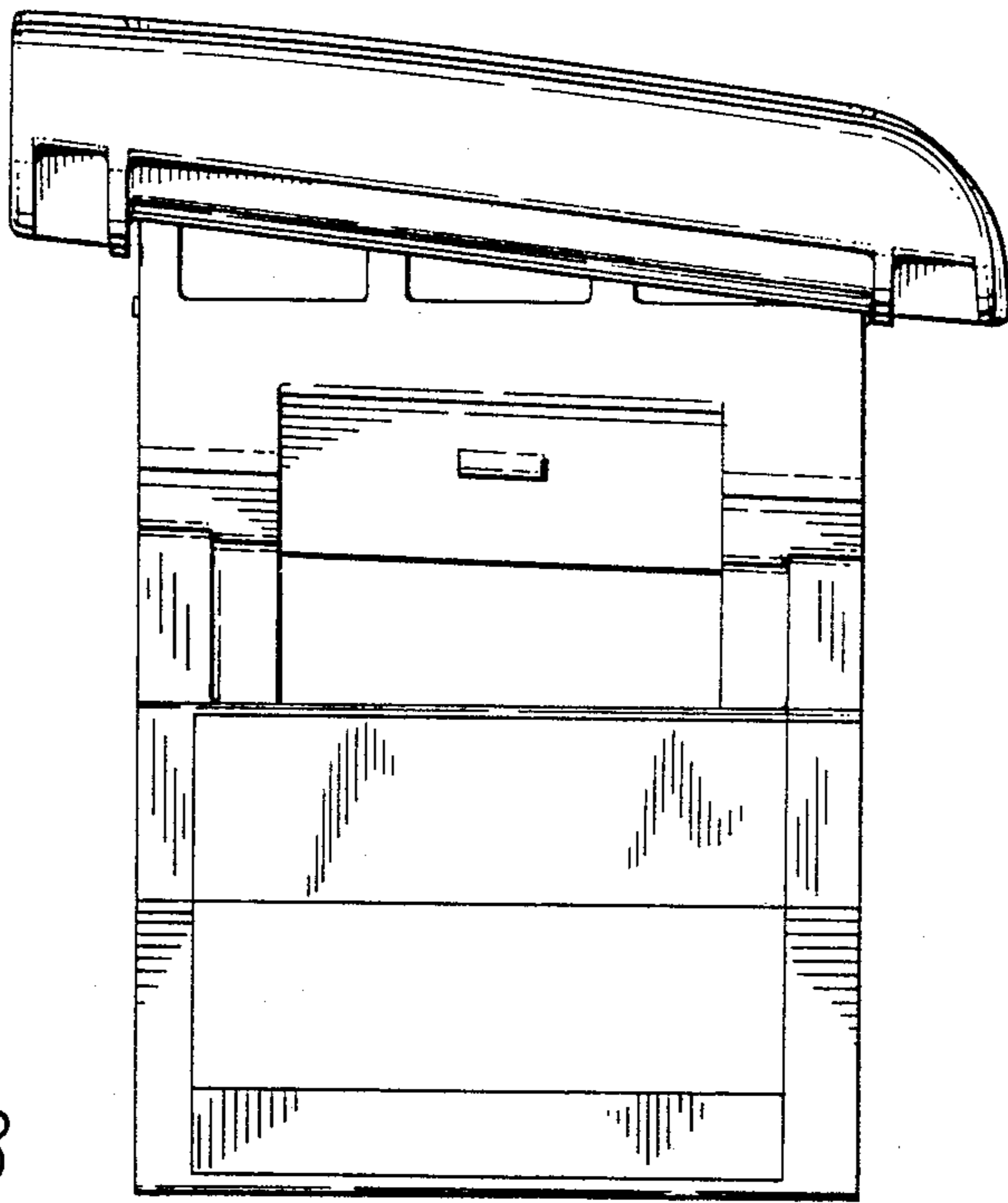
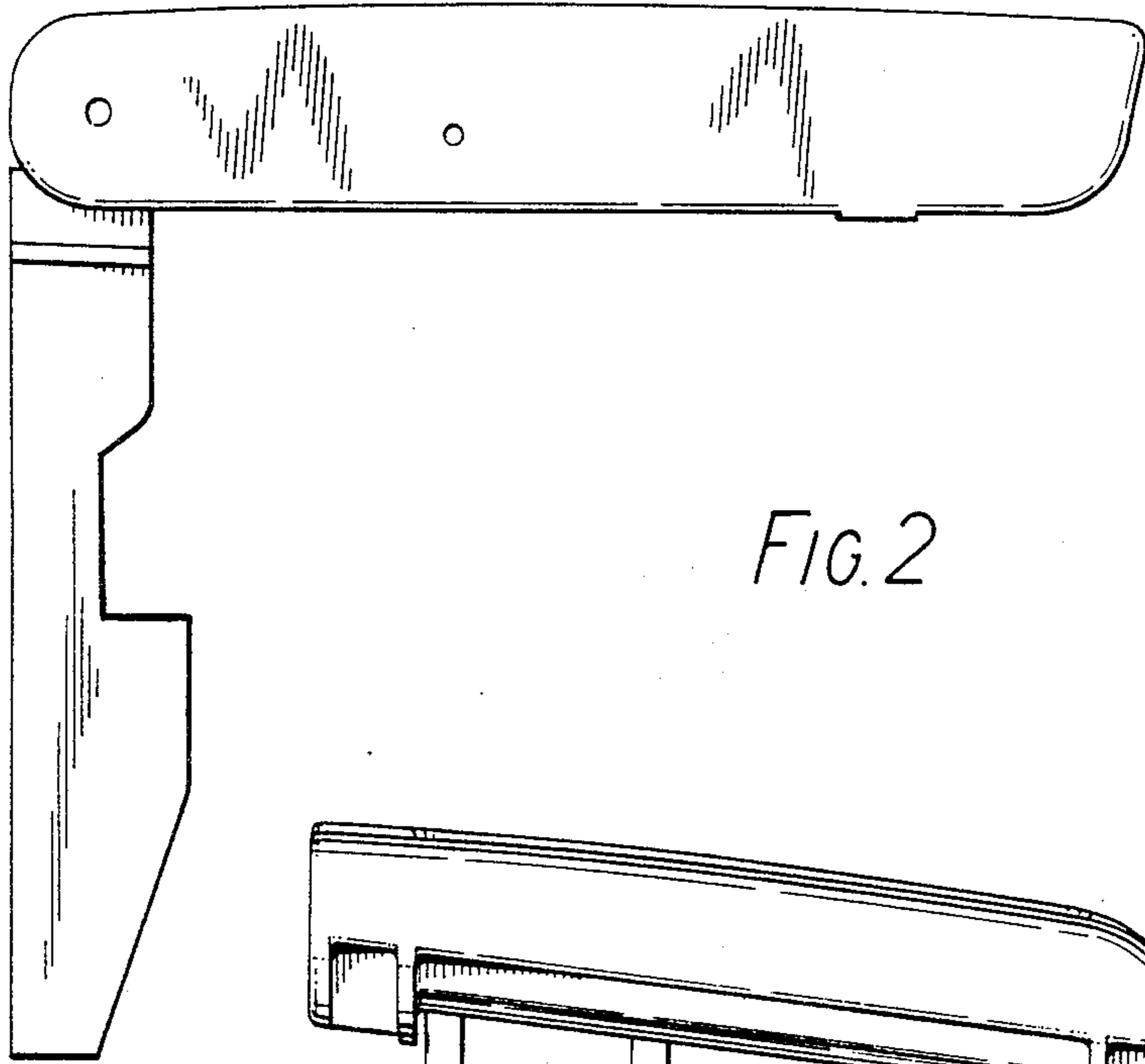


FIG. 1



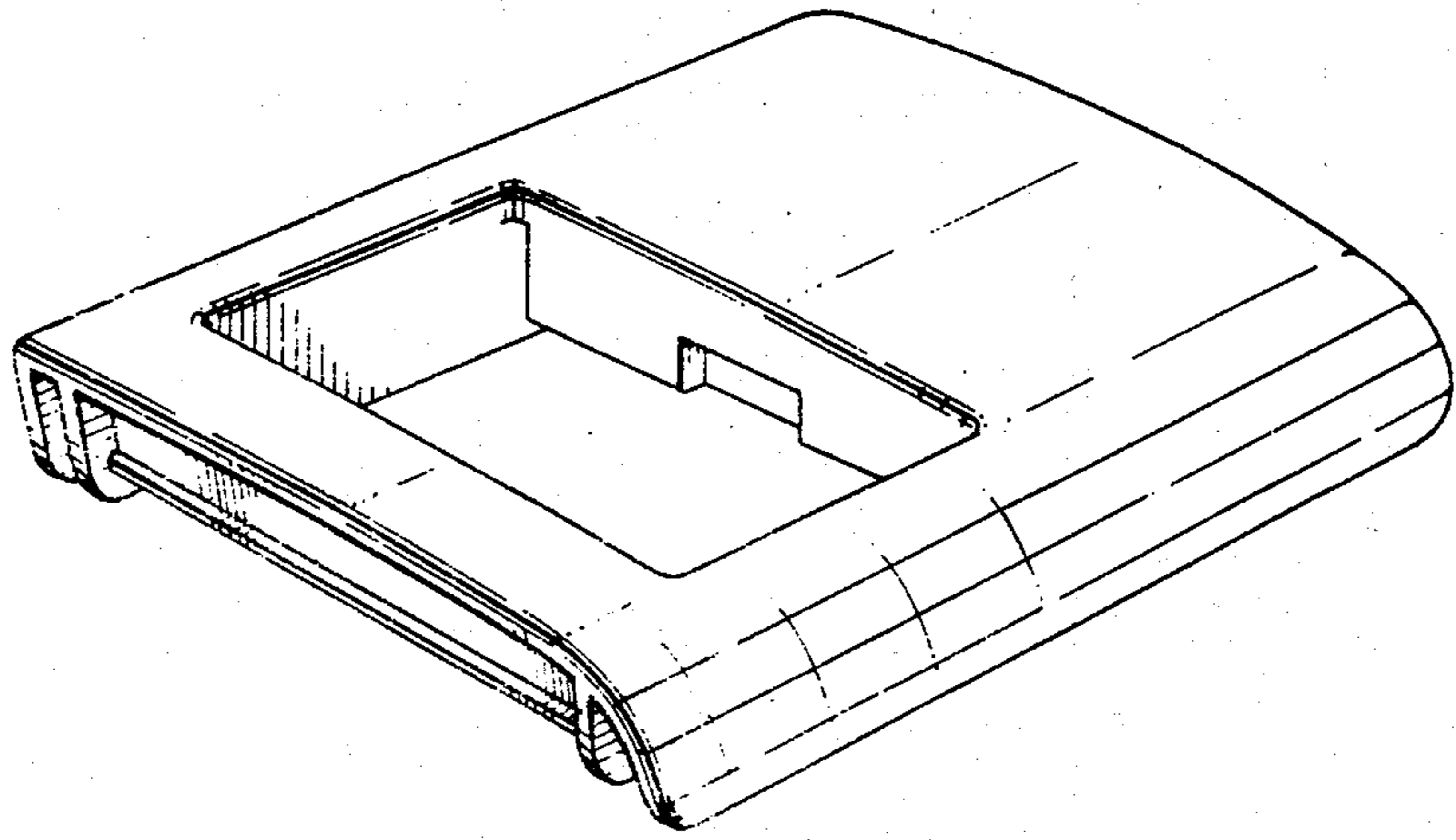


FIG 4

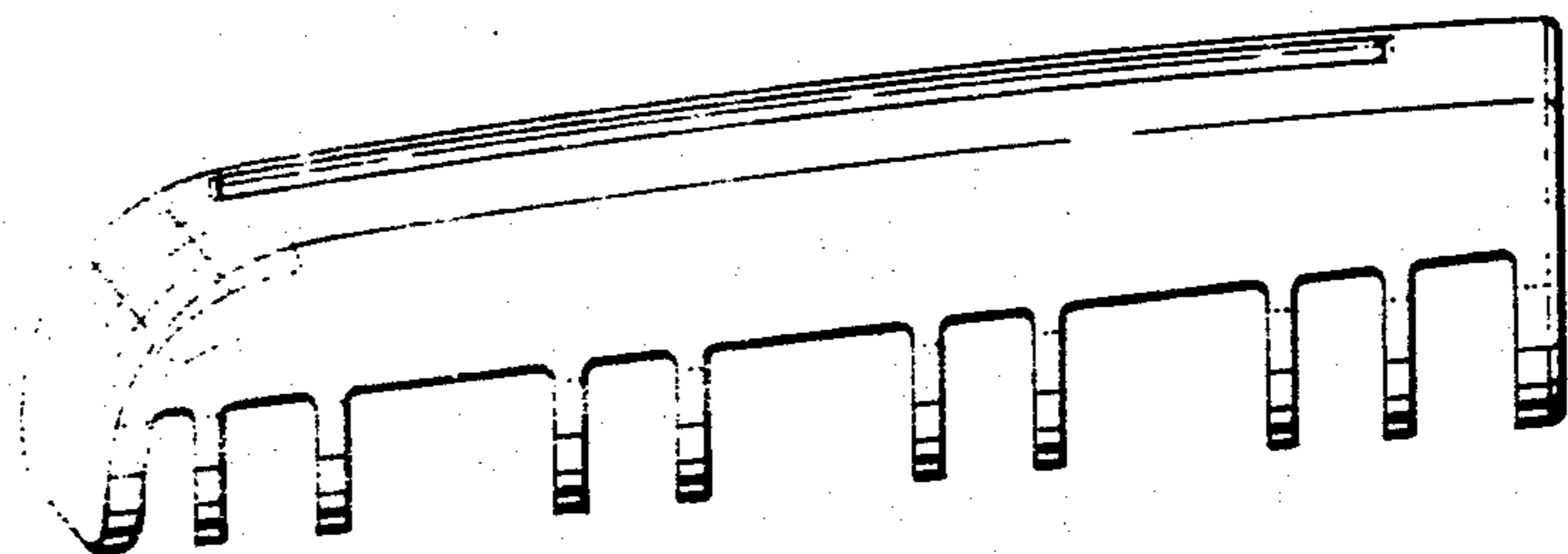


FIG 5

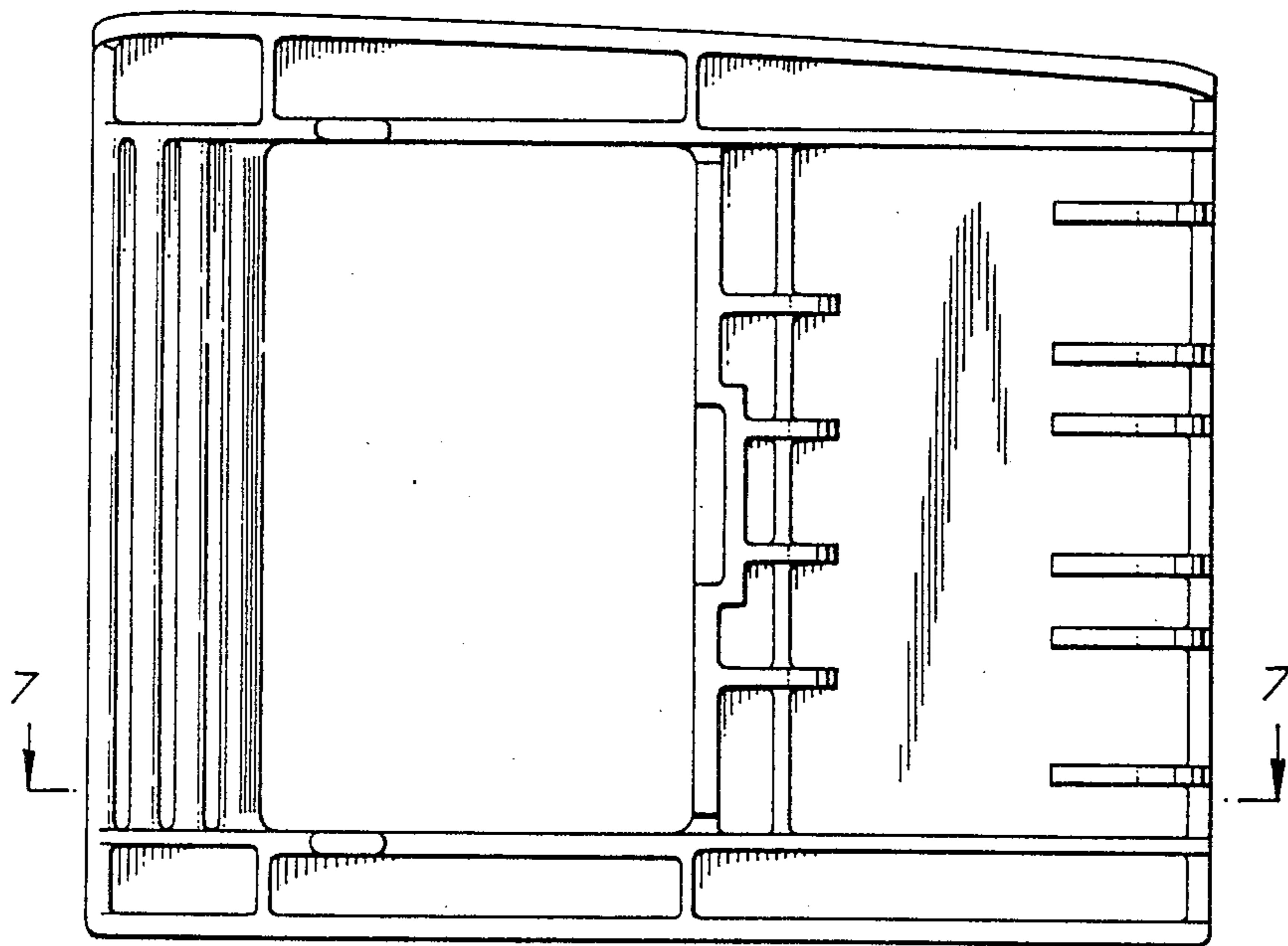


FIG. 6

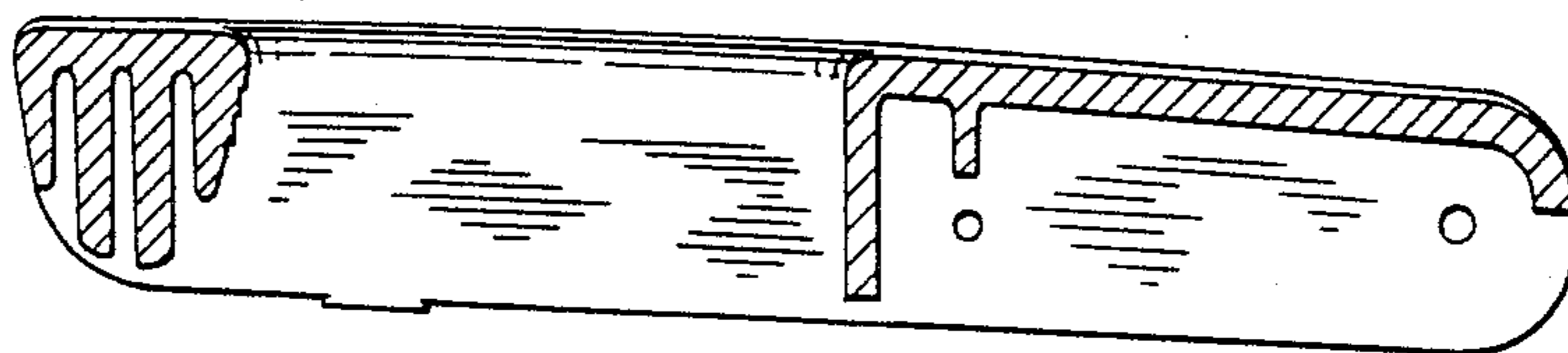


FIG. 7