

[54] COMBINED COVER AND COUNTERTOP FOR COOLER

Assistant Examiner—Linda Titolo  
Attorney, Agent, or Firm—Marshall & Melhorn

[76] Inventor: Zoltan V. Gyebnar, 2340 Starr Ave., #3, Oregon, Ohio 43616

[57] CLAIM

The ornamental design for a combined cover and countertop for cooler, as shown and described.

[\*\*] Term: 14 Years

DESCRIPTION

[21] Appl. No.: 610,308

FIG. 1 is a top plan view of a combined cover and countertop for a cooler showing my new design; FIG. 2 is a front elevational view thereof, the rear elevational view being a mirror image thereof; FIG. 3 is a right side elevational view thereof, the left side elevational view being a mirror image thereof; FIG. 4 is an exploded top perspective view thereof, showing the cover member and the removable insert member;

[22] Filed: May 14, 1984

[52] U.S. Cl. .... D7/391

[58] Field of Search ..... D7/391, 387, 388, 76, D7/70; 220/23, 352, 355

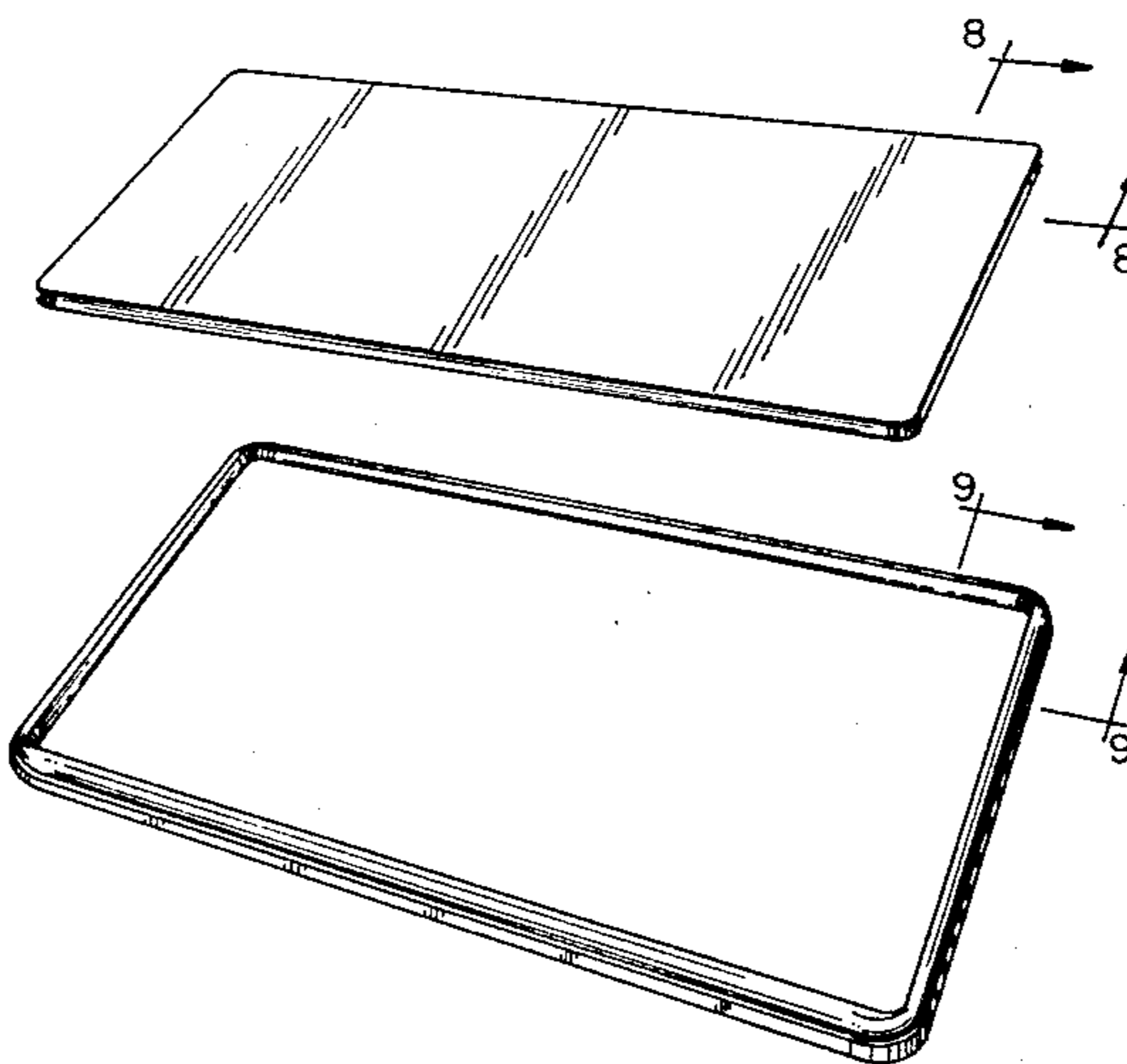
FIG. 5 is a bottom plan view thereof; FIG. 6 is a front elevational view of the removable insert member of FIG. 4, shown separately for clarity of illustration, the rear view being a mirror image thereof; FIG. 7 is a right side elevational view thereof, the left side being a mirror image thereof; FIG. 8 is an enlarged fragmentary cross-sectional perspective view thereof, taken on line 8—8 of FIG. 4; and FIG. 9 is an enlarged fragmentary cross-sectional perspective view of the cover member of FIG. 4, taken on line 9—9 of FIG. 4.

[56] References Cited

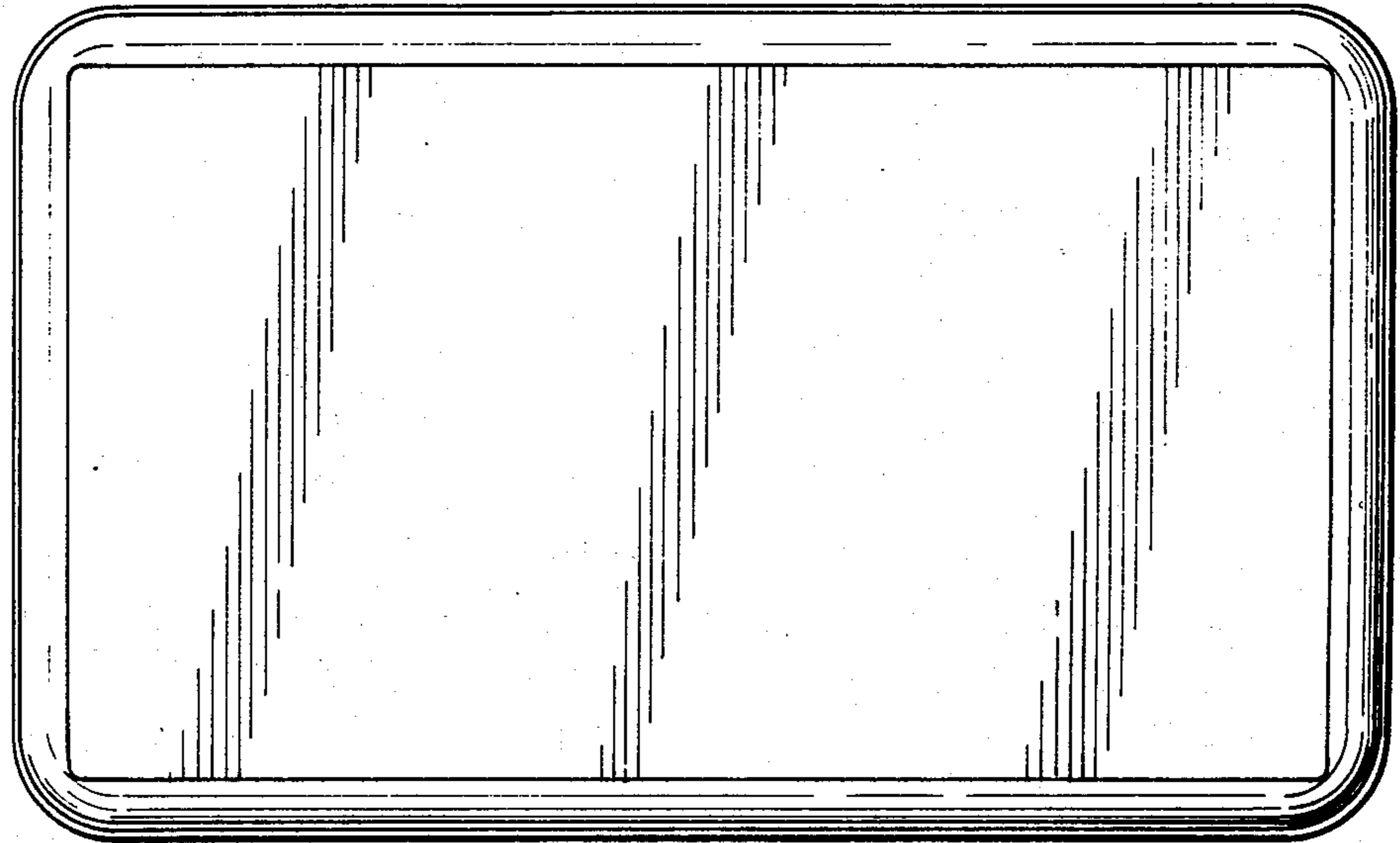
U.S. PATENT DOCUMENTS

D. 238,148	12/1975	Dilot	.....	D7/76
D. 246,560	12/1977	Beauchamp et al.	.....	D7/76
D. 250,870	1/1979	Stahel	.....	D7/76
D. 262,839	2/1982	Daenen et al.	.....	D7/76 X
1,926,240	9/1933	Maas	.....	220/355
2,515,703	7/1950	Dumas	.....	220/23 X
2,767,755	10/1956	Hill	.....	D7/76 X
3,283,942	11/1966	Collie	.....	220/352
4,402,397	9/1983	Spence	.....	220/355 X
4,499,998	2/1985	Carlson	.....	220/23 X

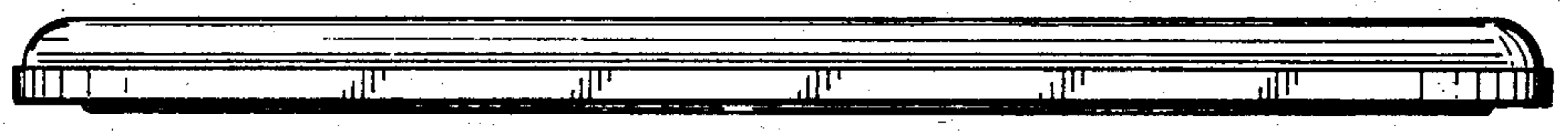
Primary Examiner—Bernard Ansher



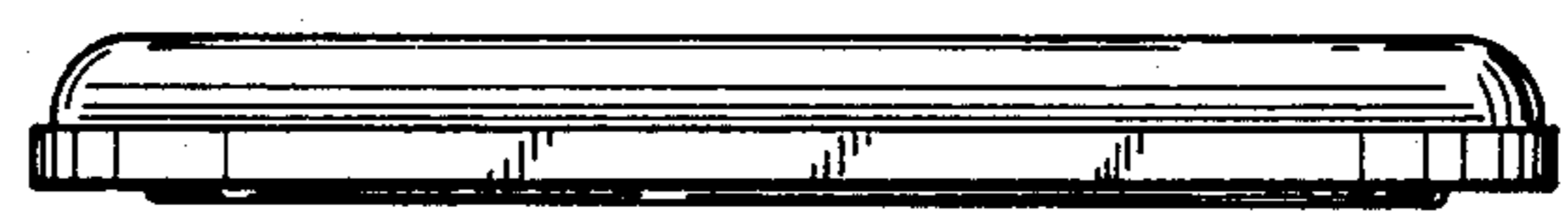
**FIG. 1**



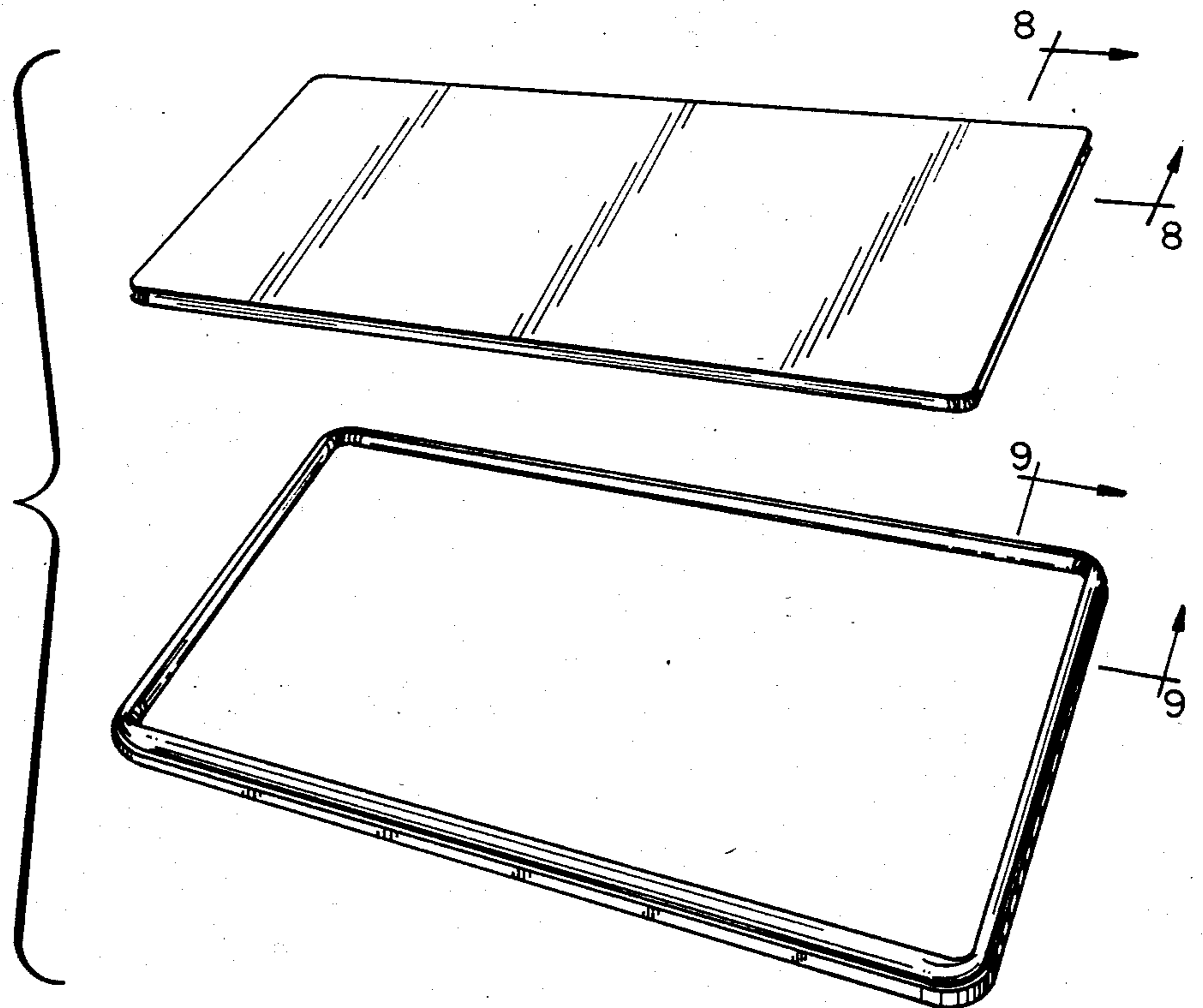
**FIG. 2**



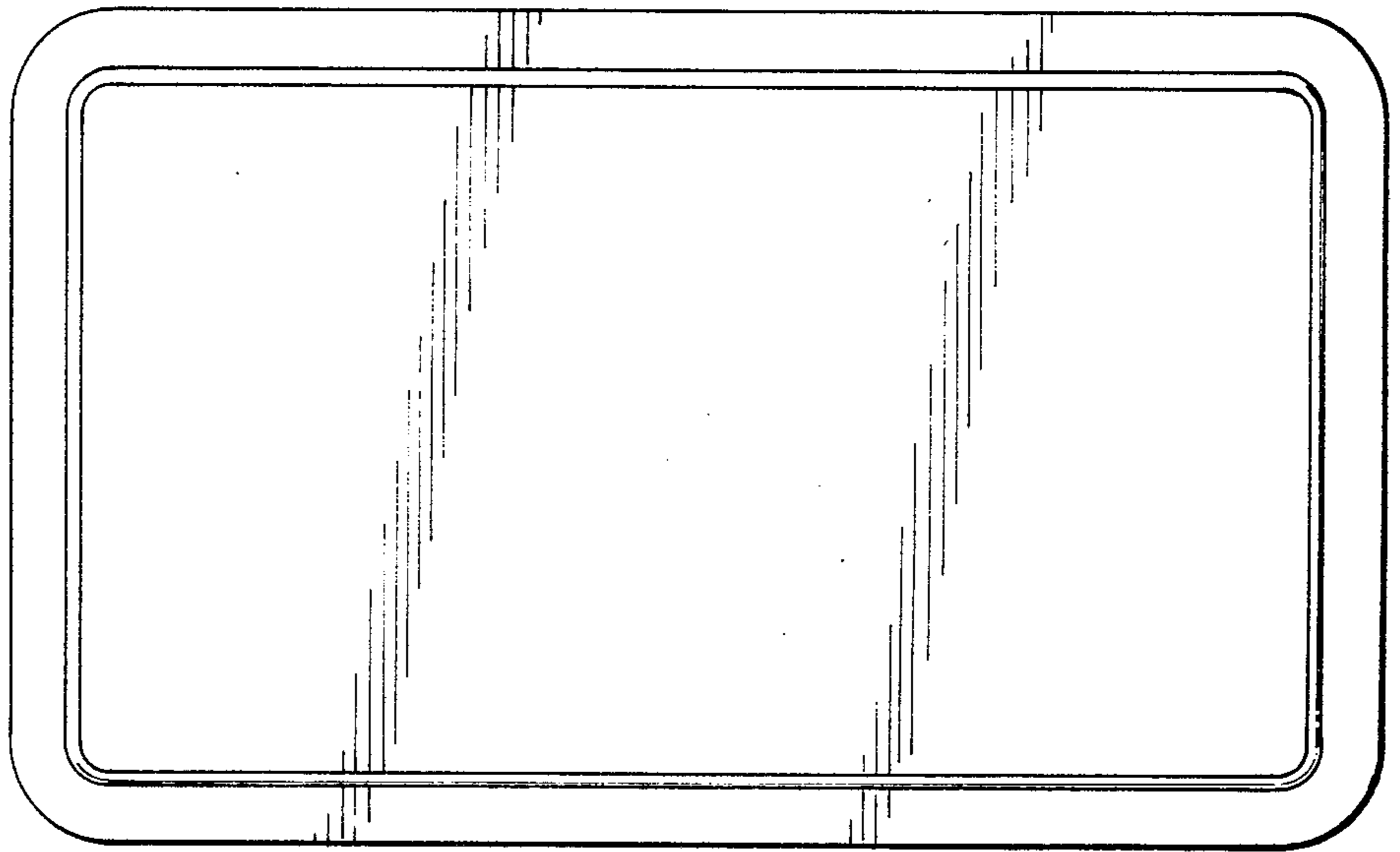
**FIG. 3**



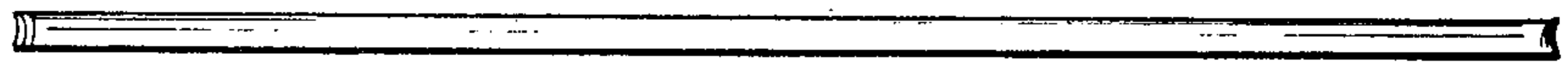
**FIG. 4**



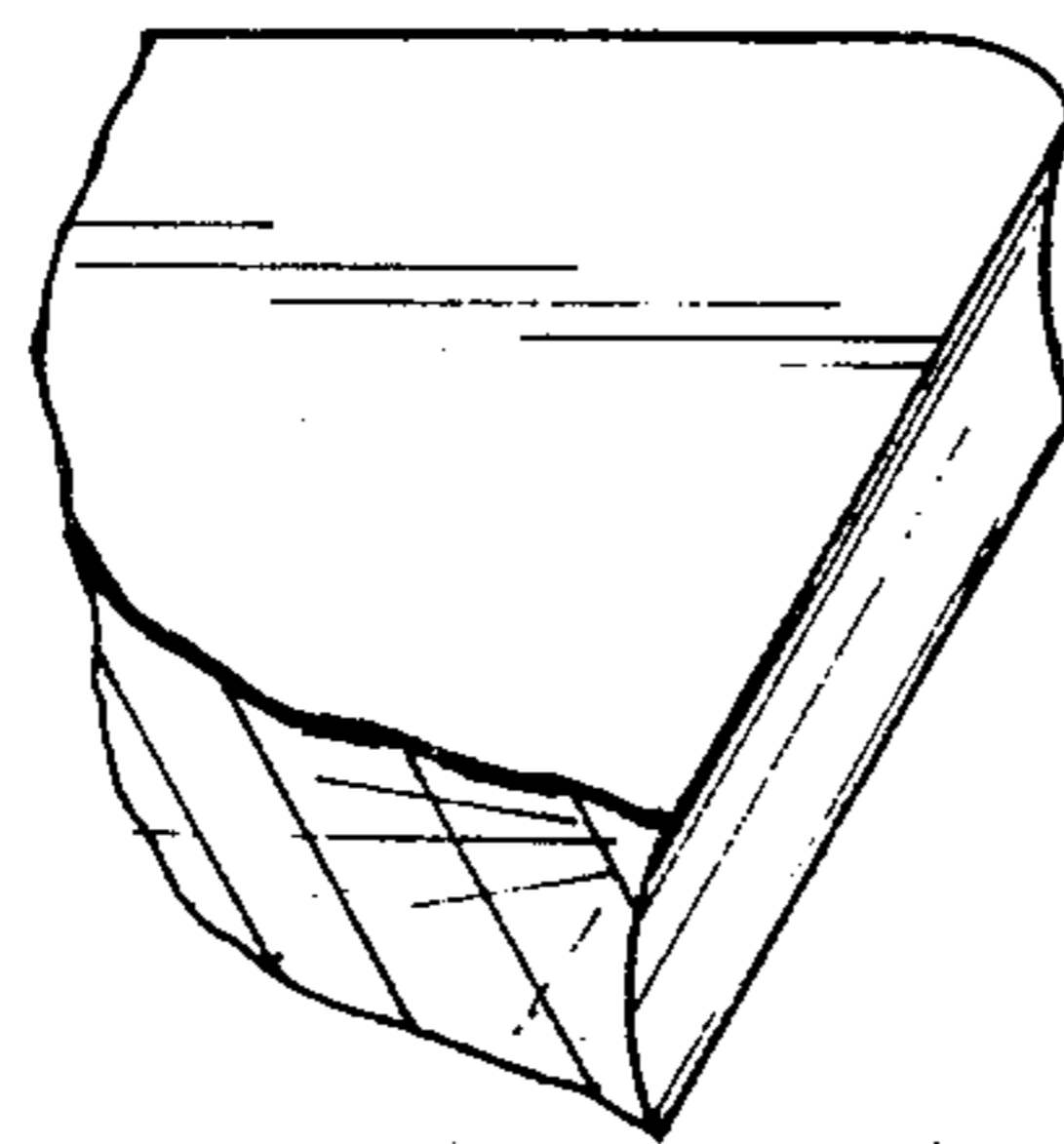
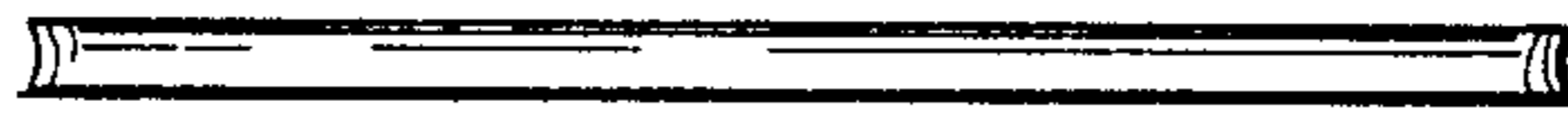
**FIG. 5**



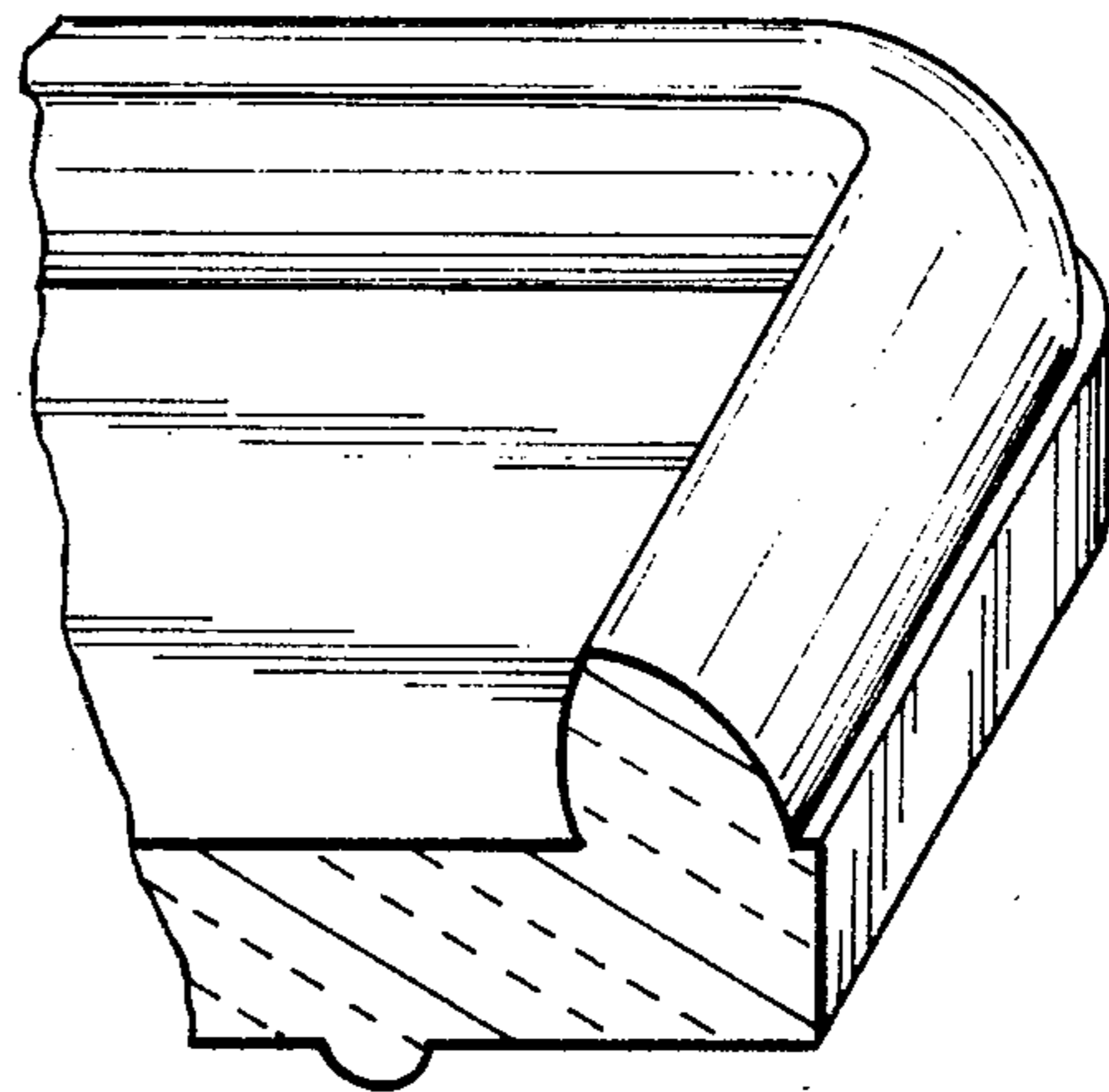
**FIG. 6**



**FIG. 7**



**FIG. 8**



**FIG. 9**