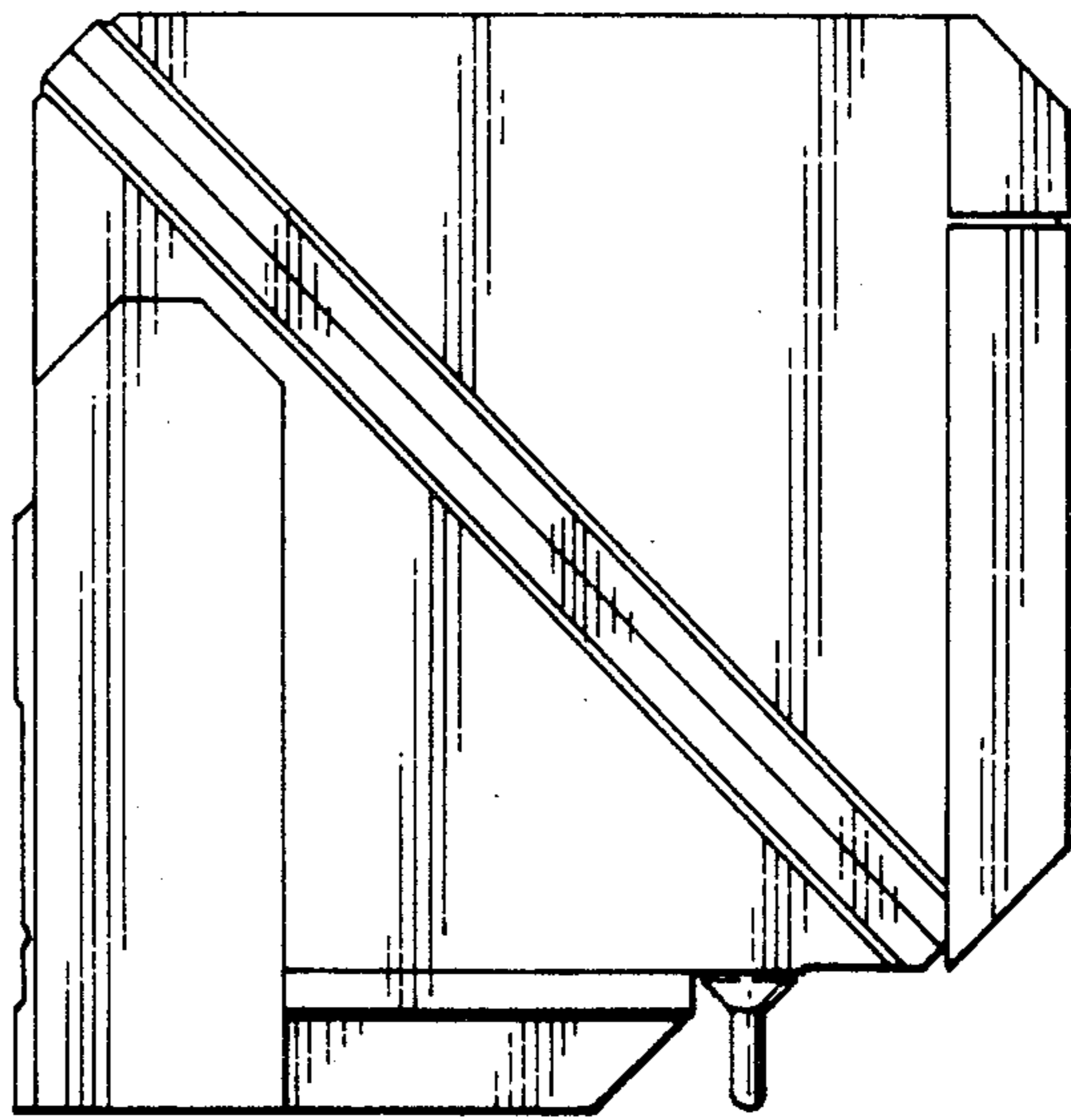


Fig. 1.

Fig. 2.



[54] **MODULE FOR LIQUID DETERGENT PUMP AND CONTROL COMPONENTS**

[75] **Inventors:** **Wilhelmus K. der Kinderen**, Wilnis, Netherlands; **Veronica Steel**, London; **David Maddison**, Worthing, both of England

[73] **Assignee:** **Lever Brothers Company**, New York, N.Y.

[**] **Term:** **14 Years**

[21] **Appl. No.:** **599,905**

[22] **Filed:** **Apr. 13, 1984**

[30] **Foreign Application Priority Data**

Oct. 13, 1983 [GB] United Kingdom 1015,684

[52] **U.S. Cl.** **D6/559; D6/545; D7/398**

[58] **Field of Search** **D7/397, 398, 399, 400, D7/300, 305, 306, 307, 308, 309, 310, 311; D6/542, 545, 559**

[56] **References Cited**

U.S. PATENT DOCUMENTS

D. 201,785	8/1965	Reichow	D7/308
D. 253,441	11/1979	Tucker	D6/545
D. 271,271	11/1983	Austin et al.	D7/398
D. 279,062	6/1985	Kanfer	D6/542
D. 279,063	6/1985	Haskell, III et al.	D6/545

Primary Examiner—Winifred E. Hermann
Attorney, Agent, or Firm—James J. Farrell

[57] **CLAIM**

The ornamental design for a module for liquid detergent pump and control components, as shown and described.

DESCRIPTION

FIG. 1 is a top front and right side perspective view of a module for liquid detergent pump and control components showing our new design;

FIG. 2 is a left side elevational view thereof;

FIG. 3 is a rear elevational view thereof;

FIG. 4 is a bottom plan view thereof;

FIG. 5 is a front elevational view thereof.

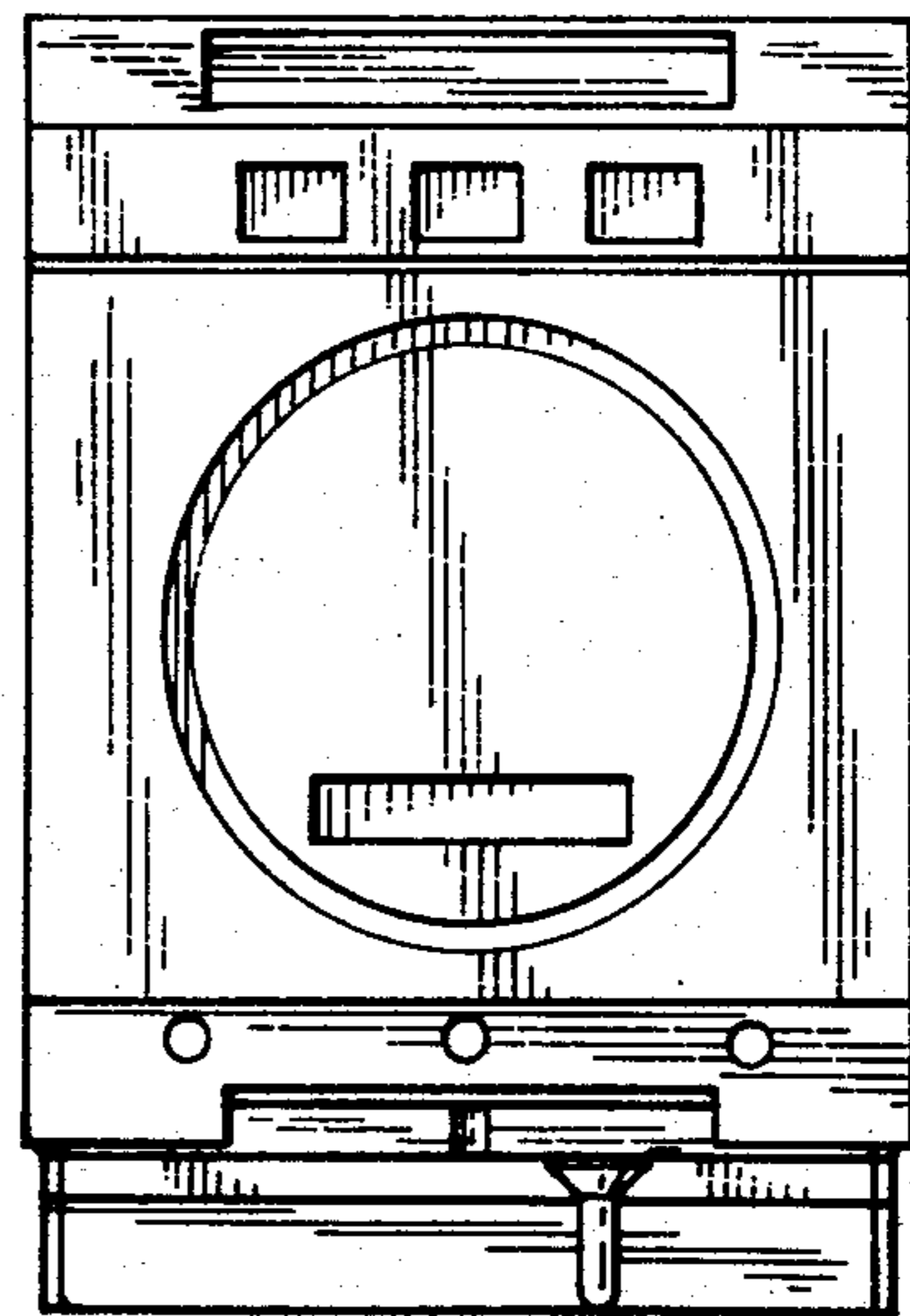
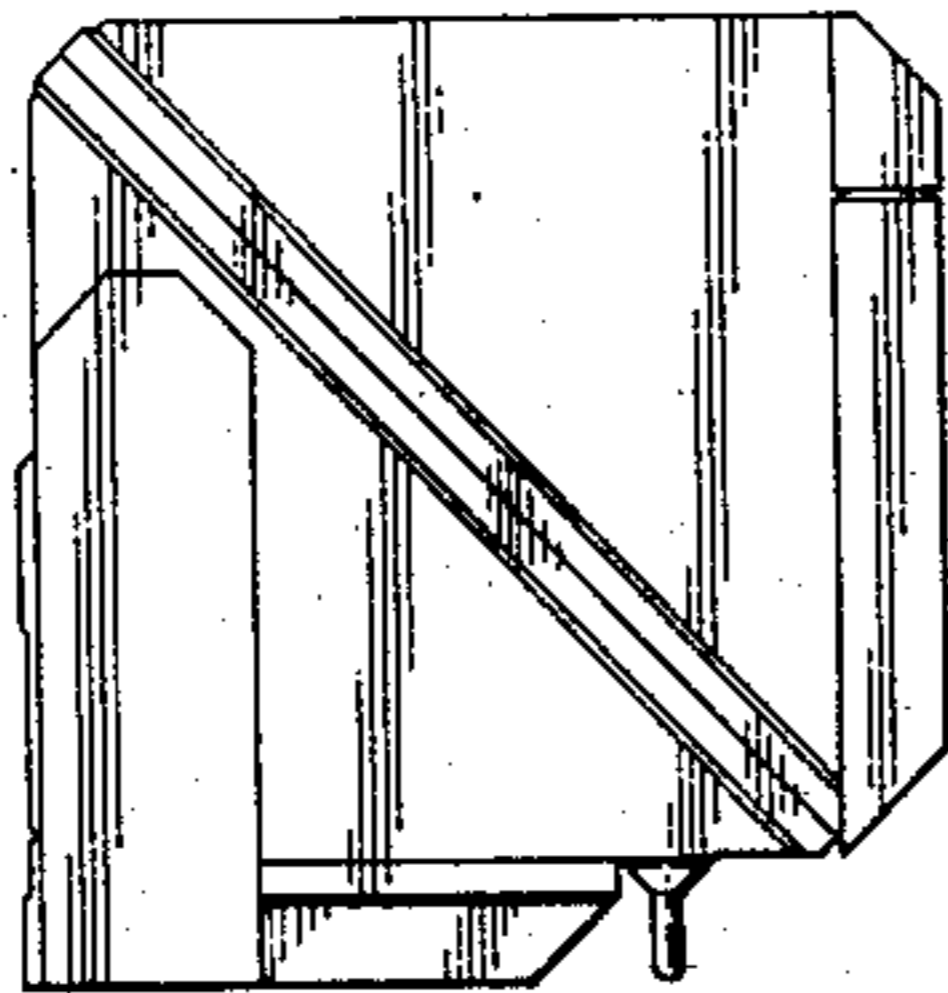
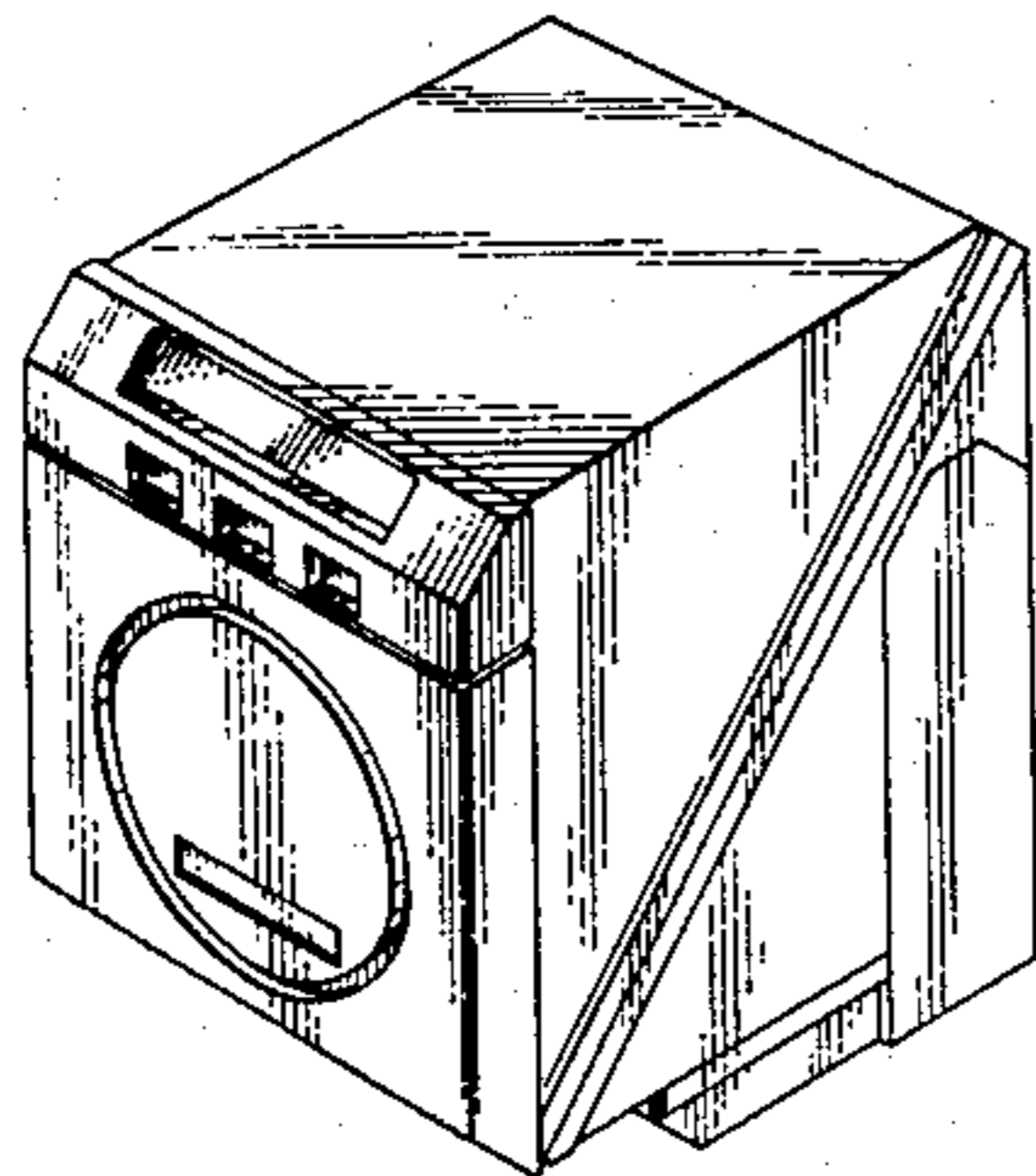


Fig. 3.

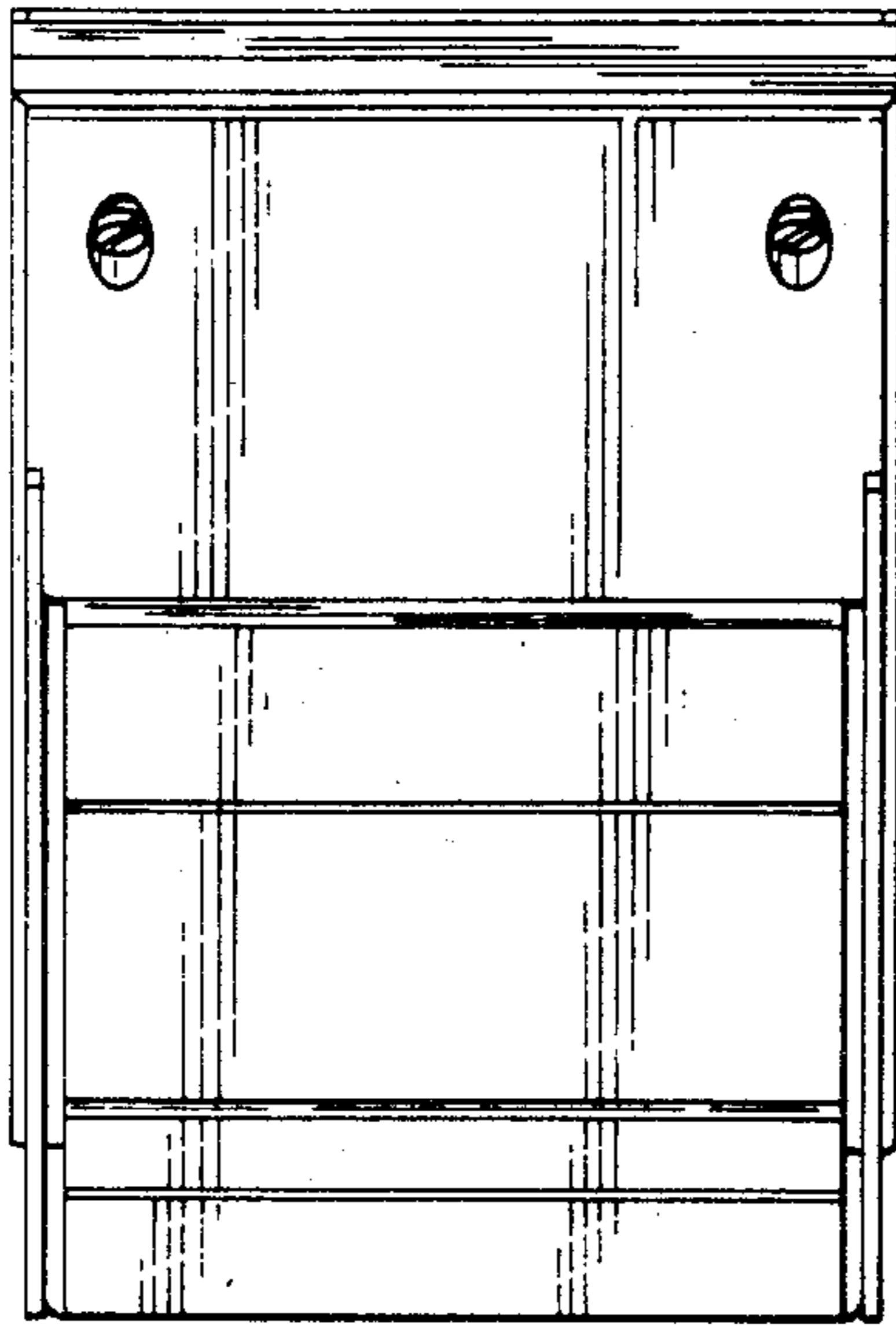


Fig. 4.

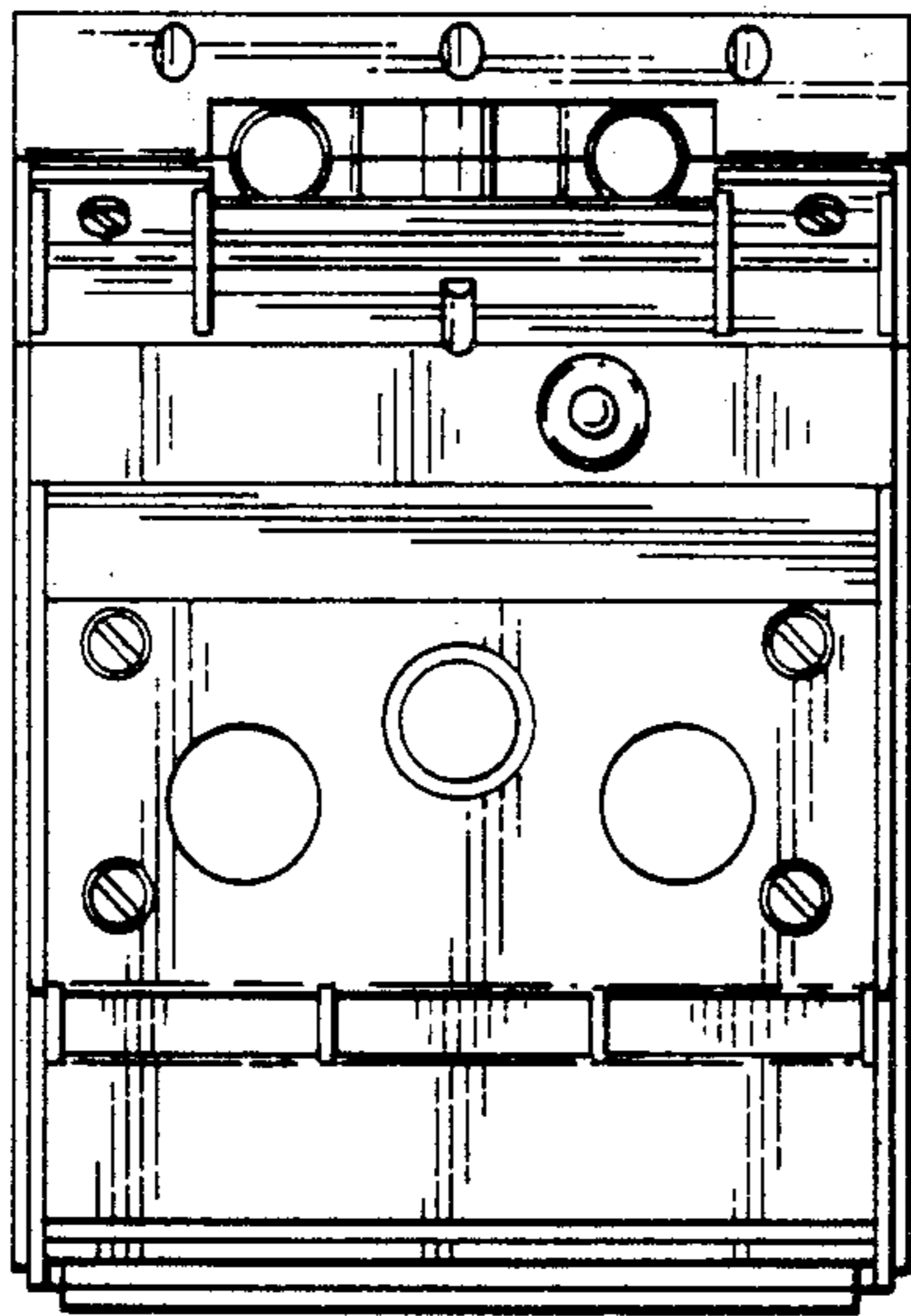


Fig. 5.

