

United States Patent [19]

Brancher

[11] Patent Number: **Des. 289,479**

[45] Date of Patent: **** Apr. 28, 1987**

[54] **WIRE SHELF**

[75] Inventor: **Rodney E. Brancher, Wyoming, Pa.**

[73] Assignee: **InterMetro Industries Corporation, Wilkes-Barre, Pa.**

[**] Term: **14 Years**

[21] Appl. No.: **618,556**

[22] Filed: **Jun. 8, 1984**

[52] U.S. Cl. **D6/511; D6/462; D6/566**

[58] Field of Search **D6/512, 513, 514, 553, D6/555, 566, 567, 572, 574; 211/13, 16, 35, 40, 42-45, 47, 60.1, 61, 71, 74, 75, 85, 88, 90, 126, 128, 134, 153, 181; 108/27, 30, 47, 102, 107, 144, 148, 149, 152; 248/245**

[56] **References Cited**

U.S. PATENT DOCUMENTS

D. 185,801	8/1959	Maslow	D6/462
D. 215,773	10/1969	Maslow	D6/462
D. 231,177	4/1974	Selz	D6/462
D. 275,434	9/1984	Taub	86/511
3,027,016	3/1962	Becht	211/153
3,208,408	9/1965	Maslow	248/245

3,523,508	8/1970	Maslow	108/144
3,757,705	9/1973	Maslow	108/144
3,784,044	1/1974	Bruggeman et al.	211/181
3,964,404	6/1976	Mueller et al.	108/144

OTHER PUBLICATIONS

InterMetro Industries Corp., 1949, p. 10.01a, Wire Shelving.

InterMetro Industries Corp., 1980, p. 12.01, MW Utility Carts-2-Shelf Models.

Primary Examiner—**B. J. Bullock**

Attorney, Agent, or Firm—**Fitzpatrick, Cella, Harper & Scinto**

[57] CLAIM

The ornamental design for a wire shelf, substantially as shown.

DESCRIPTION

FIG. 1 is a top plan view of a wire shelf showing my new design;

FIG. 2 is a front elevational view thereof;

FIG. 3 is a left side elevational view thereof, the right side elevational view being a mirror image thereof;

FIG. 4 is a rear elevational view thereof; and

FIG. 5 is a bottom plan view thereof.

FIG. 6 is a perspective view thereof.

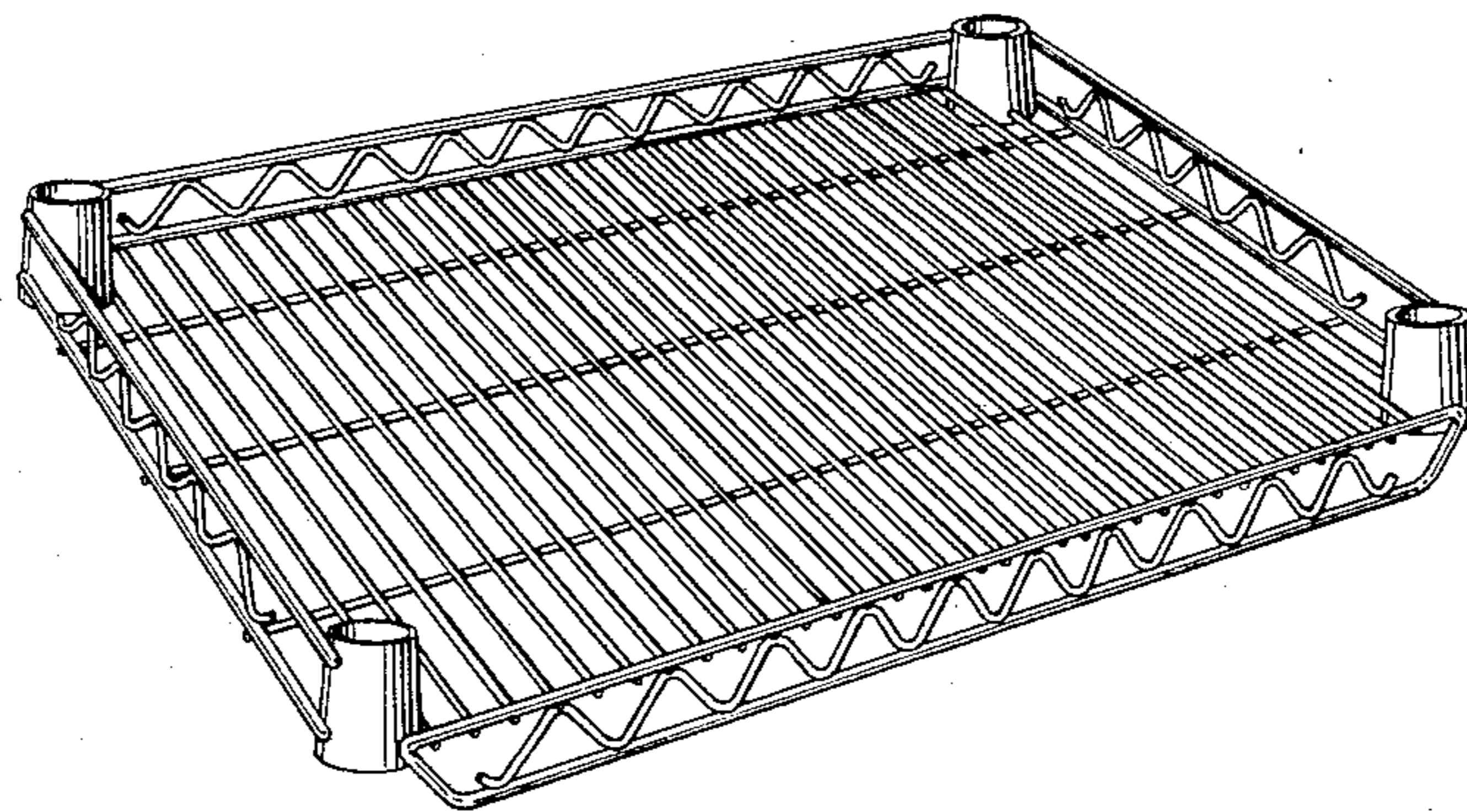


Fig. 1.

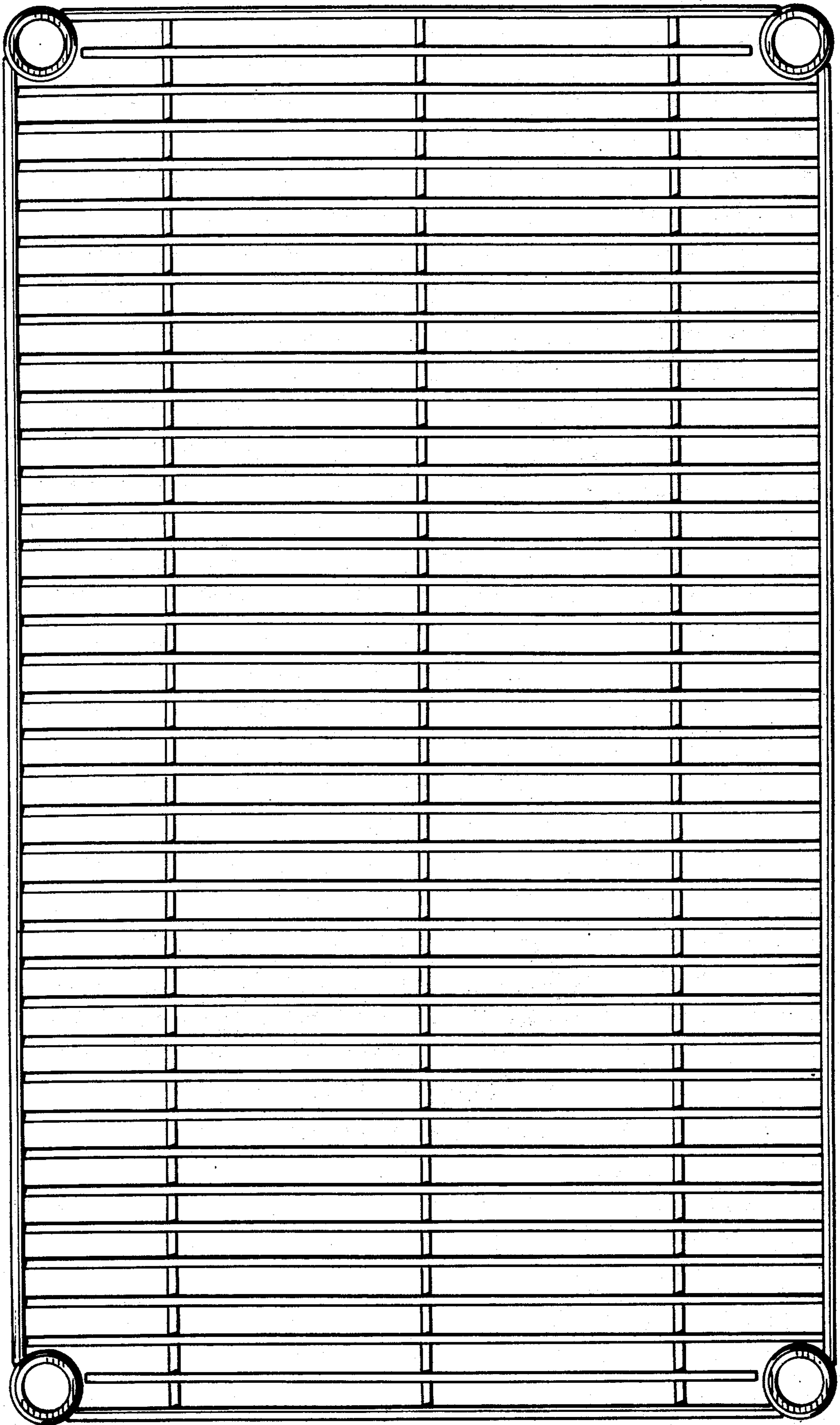


Fig. 2.

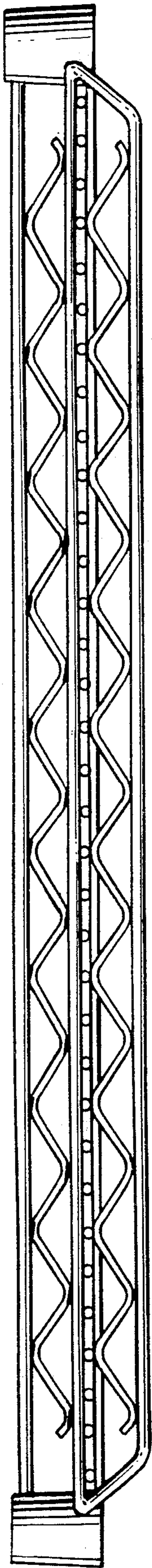


Fig. 3.

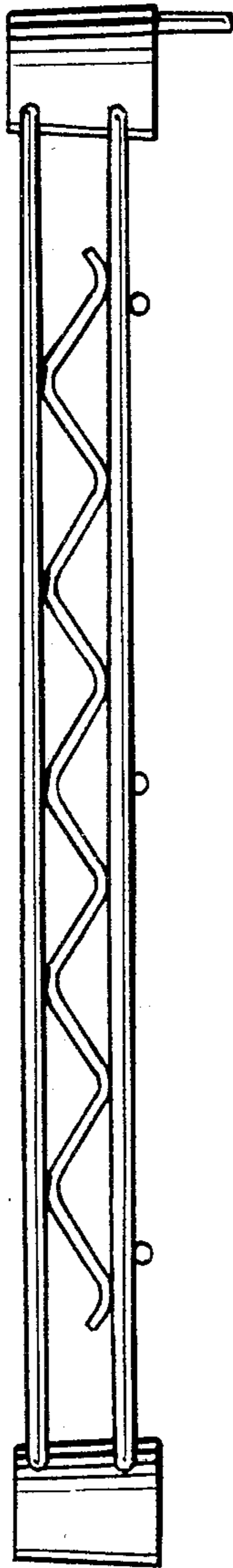


Fig. 4.

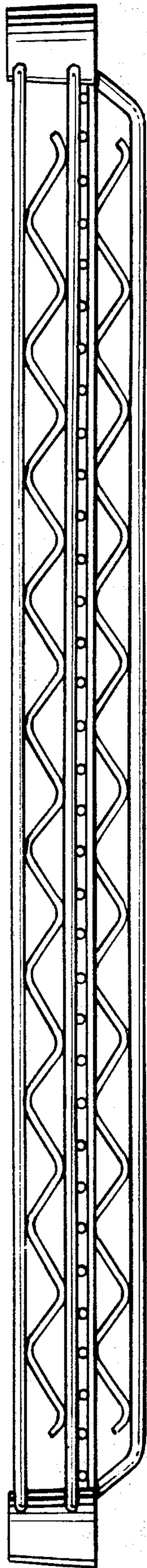


Fig. 5

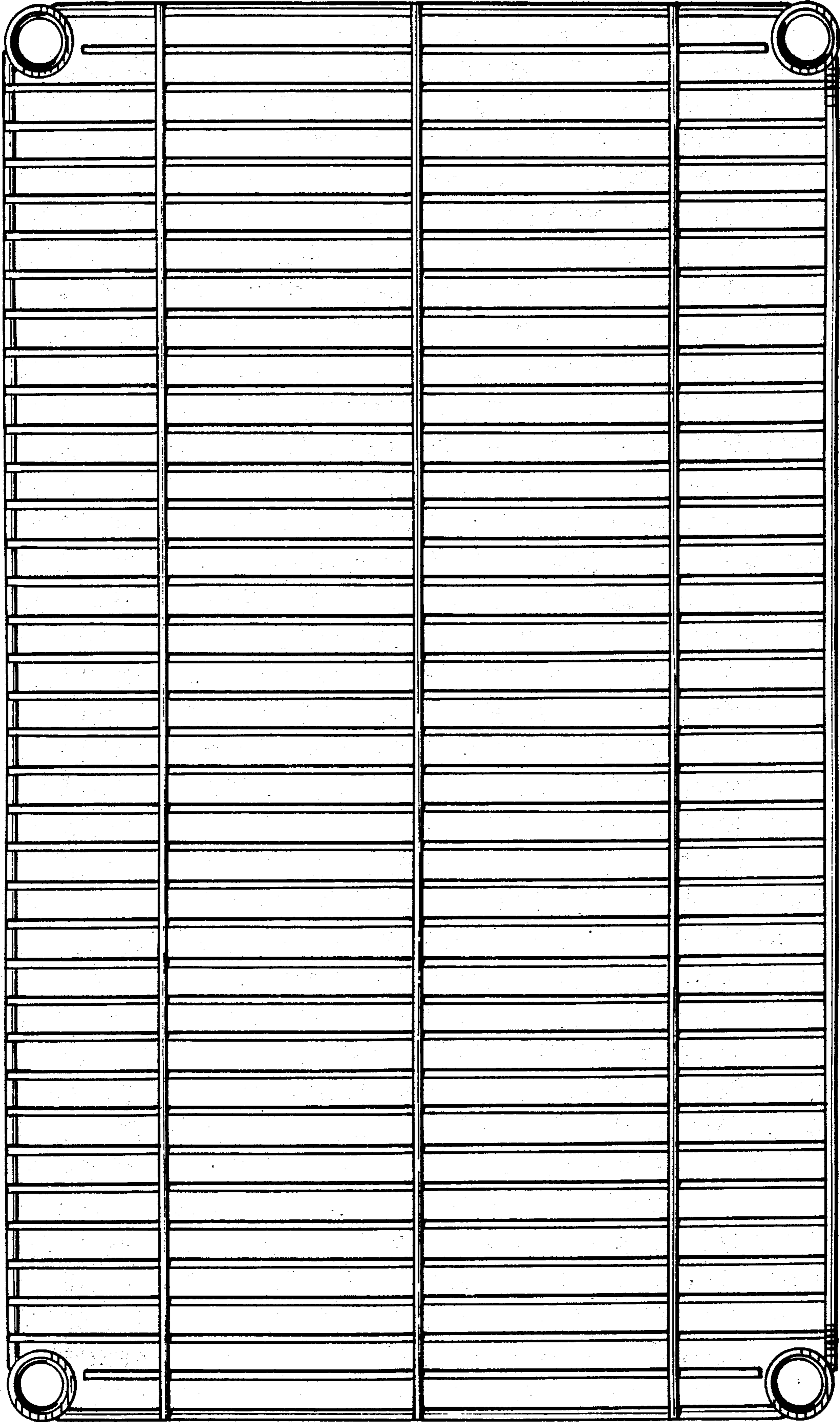


Fig. 6.

