

[54] **TABLE**

[75] **Inventor: Richard D. Berry, Jr., Hickory, N.C.**

[73] **Assignee: Design Institute America, Inc.,  
Montpelier, Ohio**

[\*\*] **Term: 14 Years**

[21] **Appl. No.: 687,449**

[22] **Filed: Dec. 28, 1984**

[52] **U.S. Cl. .... D6/487**

[58] **Field of Search ..... D6/449, 461, 477, 478,  
D6/479, 480, 486, 487, 480, 484**

[56] **References Cited**

**U.S. PATENT DOCUMENTS**

D. 155,125	9/1949	Castelli .....	D6/487 X
D. 169,868	6/1953	Schwartz .....	D6/487 X
D. 252,063	6/1979	Montague .....	D6/485 X

D. 280,686 9/1985 Kramer et al. .... D6/487 X

**OTHER PUBLICATIONS**

Carson's Catalog, Table section, Table No. 80825.

*Primary Examiner*—Bruce W. Dunkins

*Attorney, Agent, or Firm*—Marshall & Melhorn

[57] **CLAIM**

The ornamental design for a table, as shown and described.

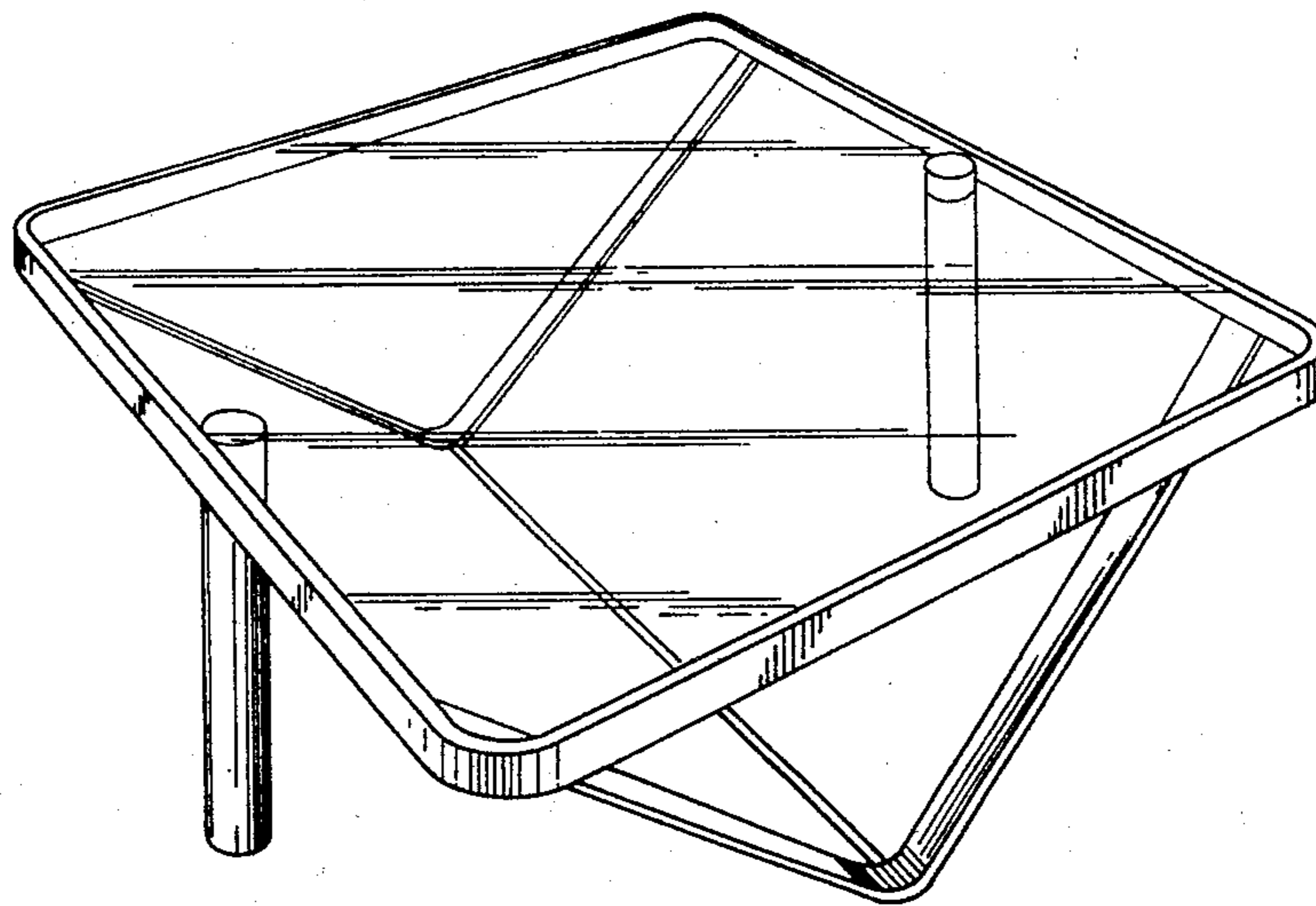
**DESCRIPTION**

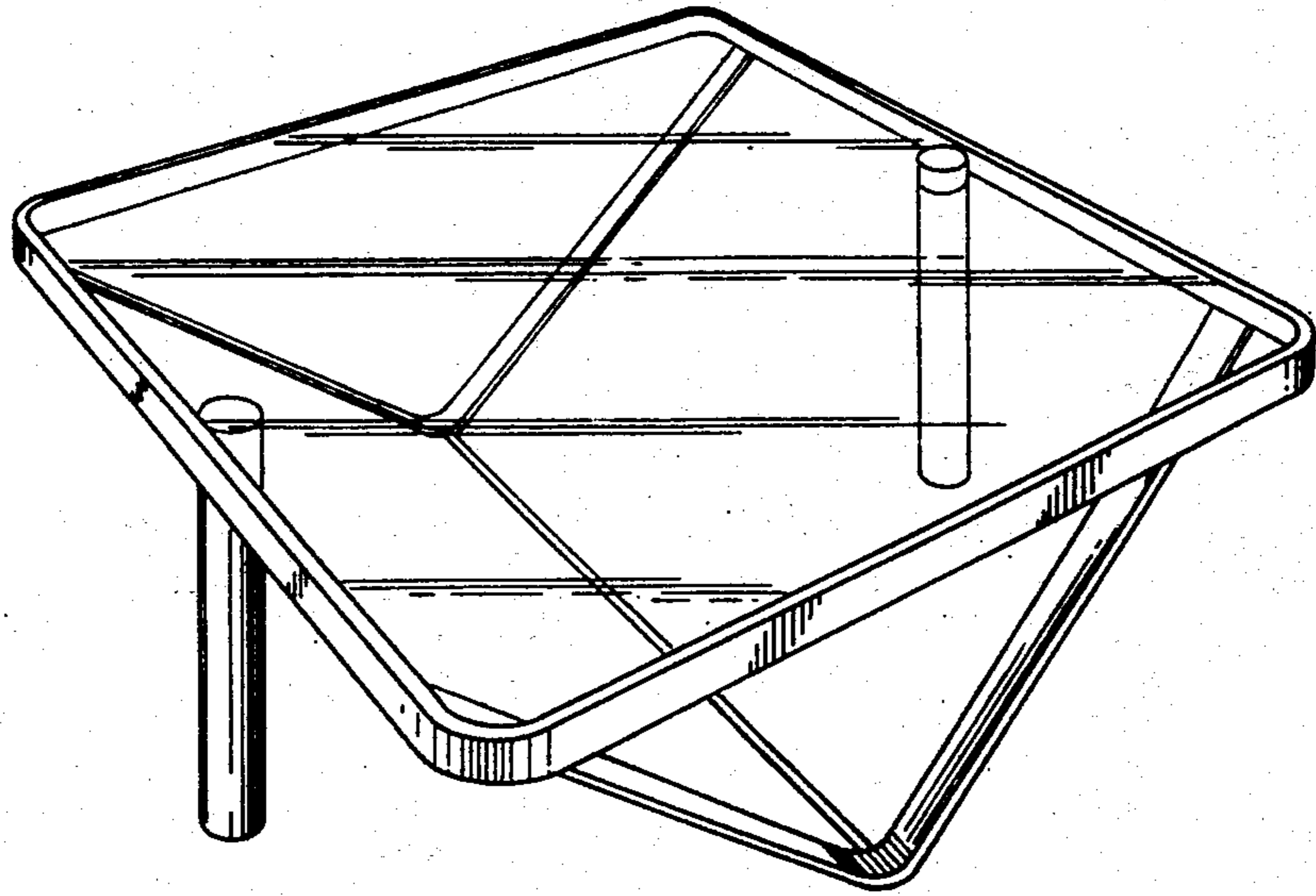
FIG. 1 is a perspective view of a table embodying my new design;

FIG. 2 is a top plan view thereof;

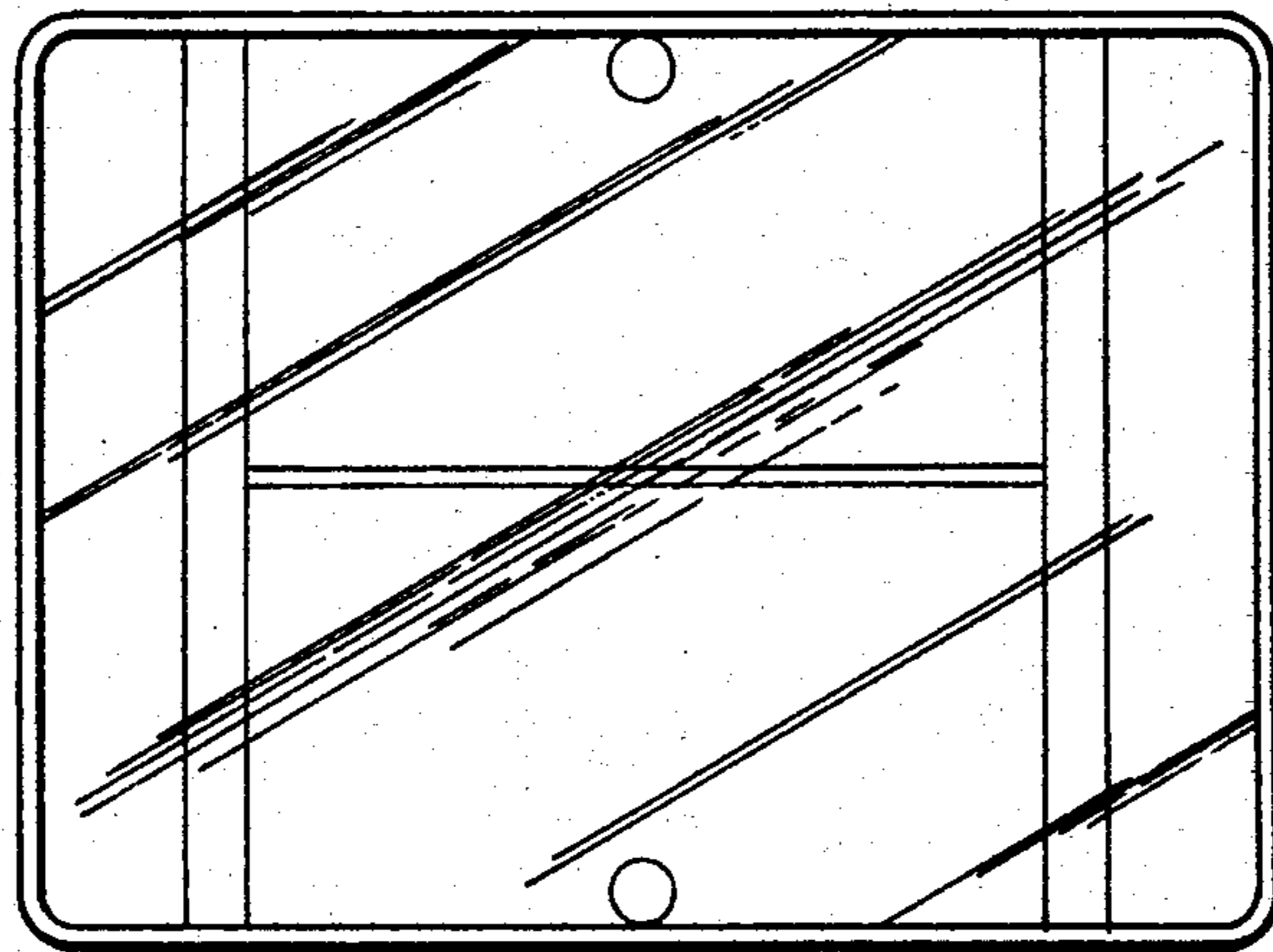
FIG. 3 is an elevational view showing one of the two identical sides; and

FIG. 4 is an elevational view showing one of the two identical ends.

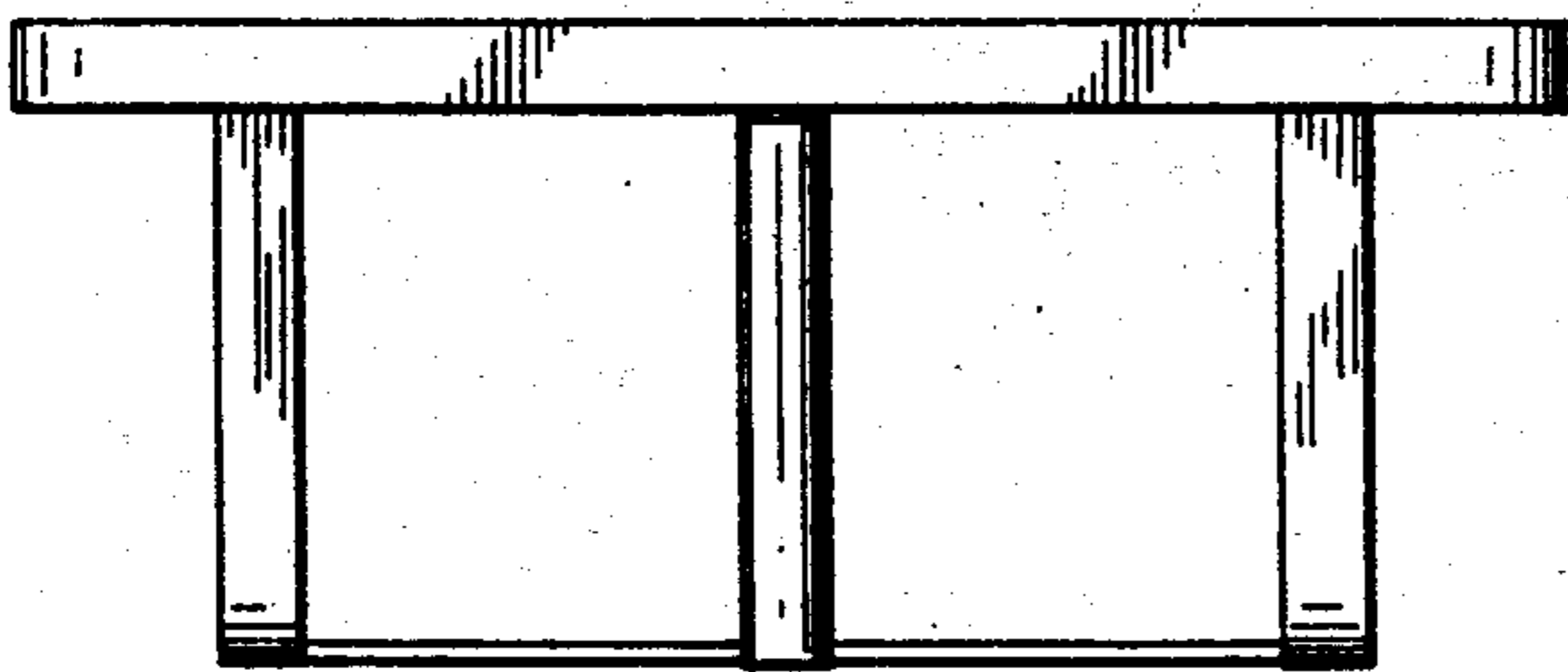




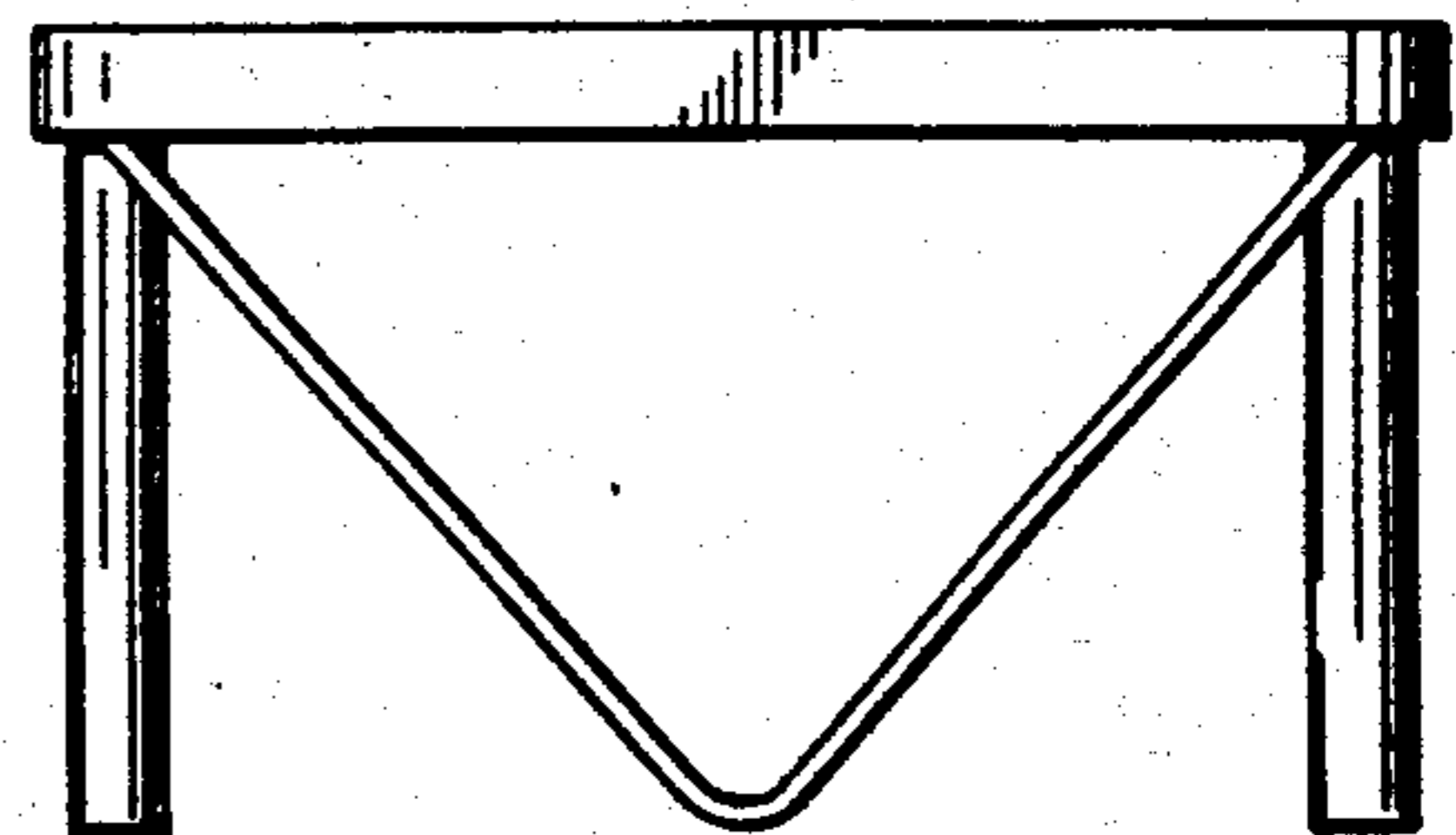
**FIG. 1**



**FIG. 2**



**FIG. 3**



**FIG. 4**