

[54] RESEARCH AND STORAGE UNIT

[76] Inventors: Richard G. Underwood; Janet W. Underwood, both of 8900 Wandering Trail Dr., Potomac, Md. 20854

[**] Term: 14 Years

[21] Appl. No.: 691,628

[22] Filed: Jan. 15, 1985

[52] U.S. Cl. D6/420; D6/425; D6/430

[58] Field of Search D6/419, 420, 421, 422, D6/423, 424, 425, 426-428, 429-430; 312/250, 194-196; D34/21, 22; D14/102; D18/23

[56] References Cited

U.S. PATENT DOCUMENTS

D. 118,637	1/1940	Dyches	D6/425
D. 132,098	4/1942	Corbett	D6/420
D. 132,893	6/1942	Corbett	D6/429 X
D. 224,495	8/1972	Abend et al.	D6/425
D. 226,999	5/1973	Jessen	D6/419
D. 235,295	6/1975	Junion	D34/21 X
D. 282,513	2/1986	Wolford, Sr.	D6/429 X
D. 284,146	6/1986	Gordon	D6/425

OTHER PUBLICATIONS

"Global" Computer Supplies Cat. C45 ©1984, p. 5; PC Work Center, bottom left on page.

"Global" Computer Supplies Cat. C51 ©1984, p. 79; PC Cube Work Station, top center on page.

Primary Examiner—Carmen H. Vales

Attorney, Agent, or Firm—Vorys, Sater, Seymour and Pease

[57] CLAIM

The ornamental design for a research and storage unit, as shown and described.

DESCRIPTION

FIG. 1 is a perspective view of a research and storage unit showing our new design;
 FIG. 2 is a side elevational view thereof;
 FIG. 3 is a front elevational view thereof;
 FIG. 4 is a rear elevational view thereof;
 FIG. 5 is a top plan view thereof;
 FIG. 6 is a perspective view similar to FIG. 1 with the shelf in extended position and the book support in propped position;
 FIG. 7 is a side elevational view thereof;
 FIG. 8 is a rear elevational view thereof; and
 FIG. 9 is a top plan view thereof.

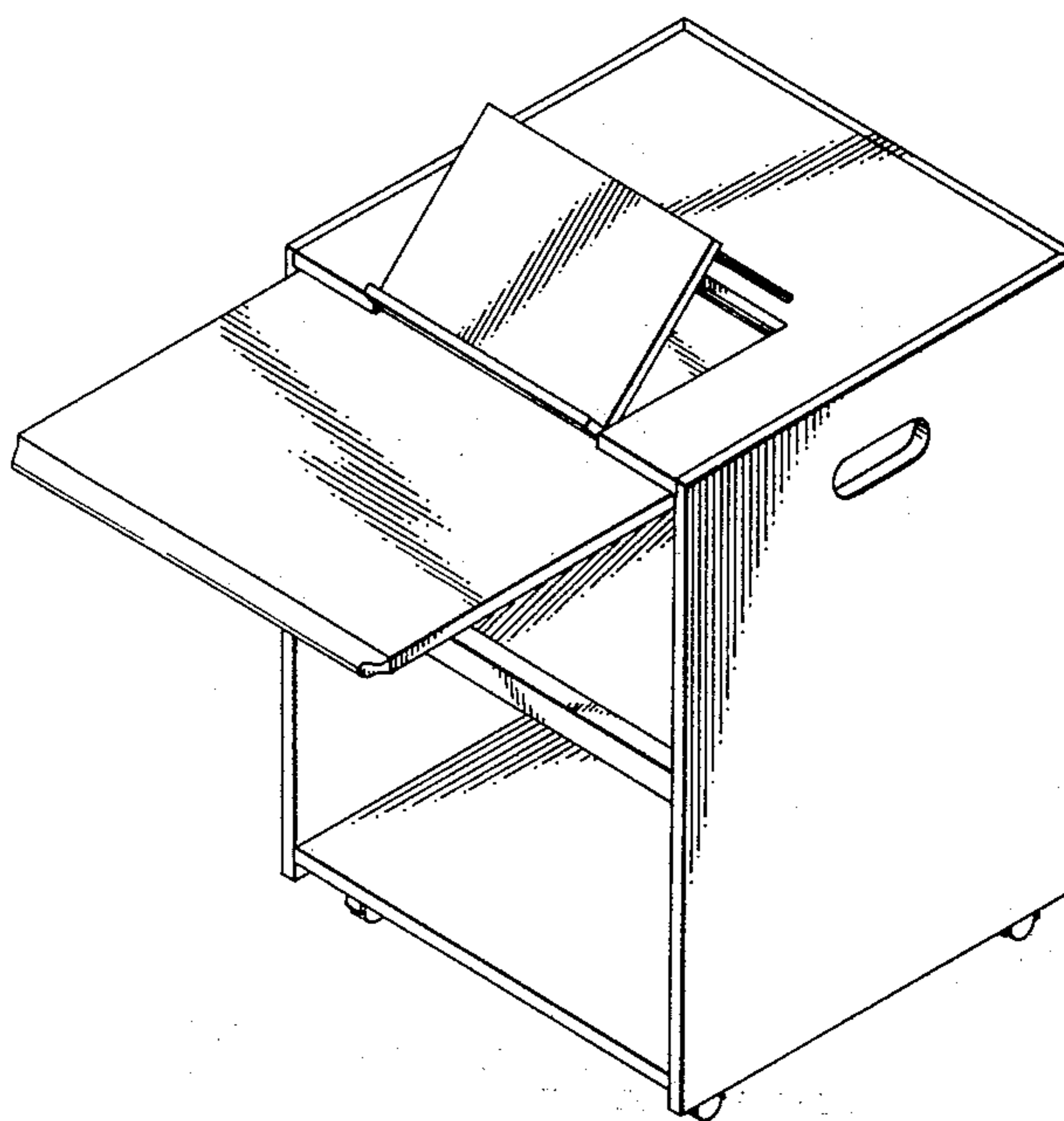
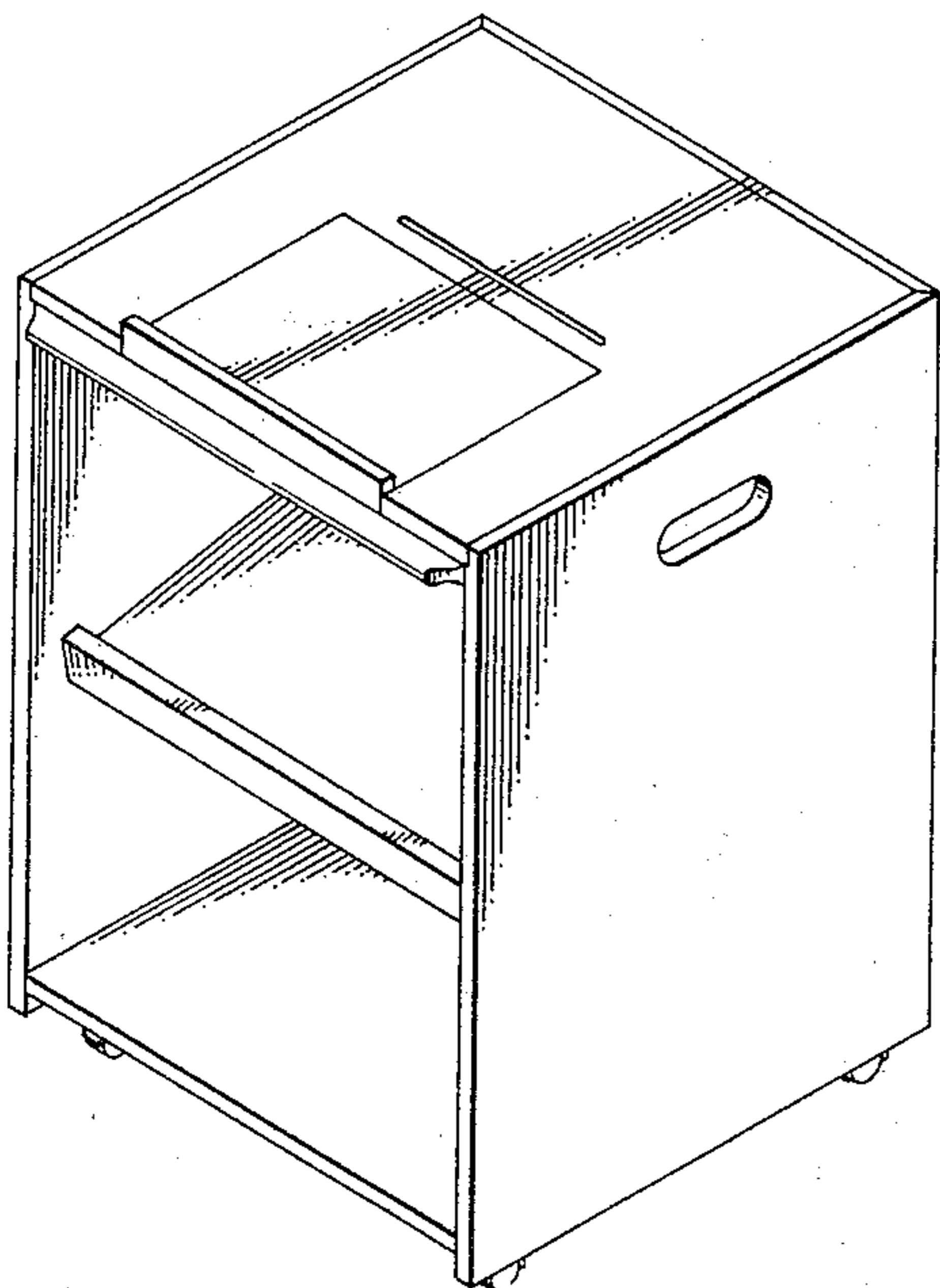


FIG. 1.

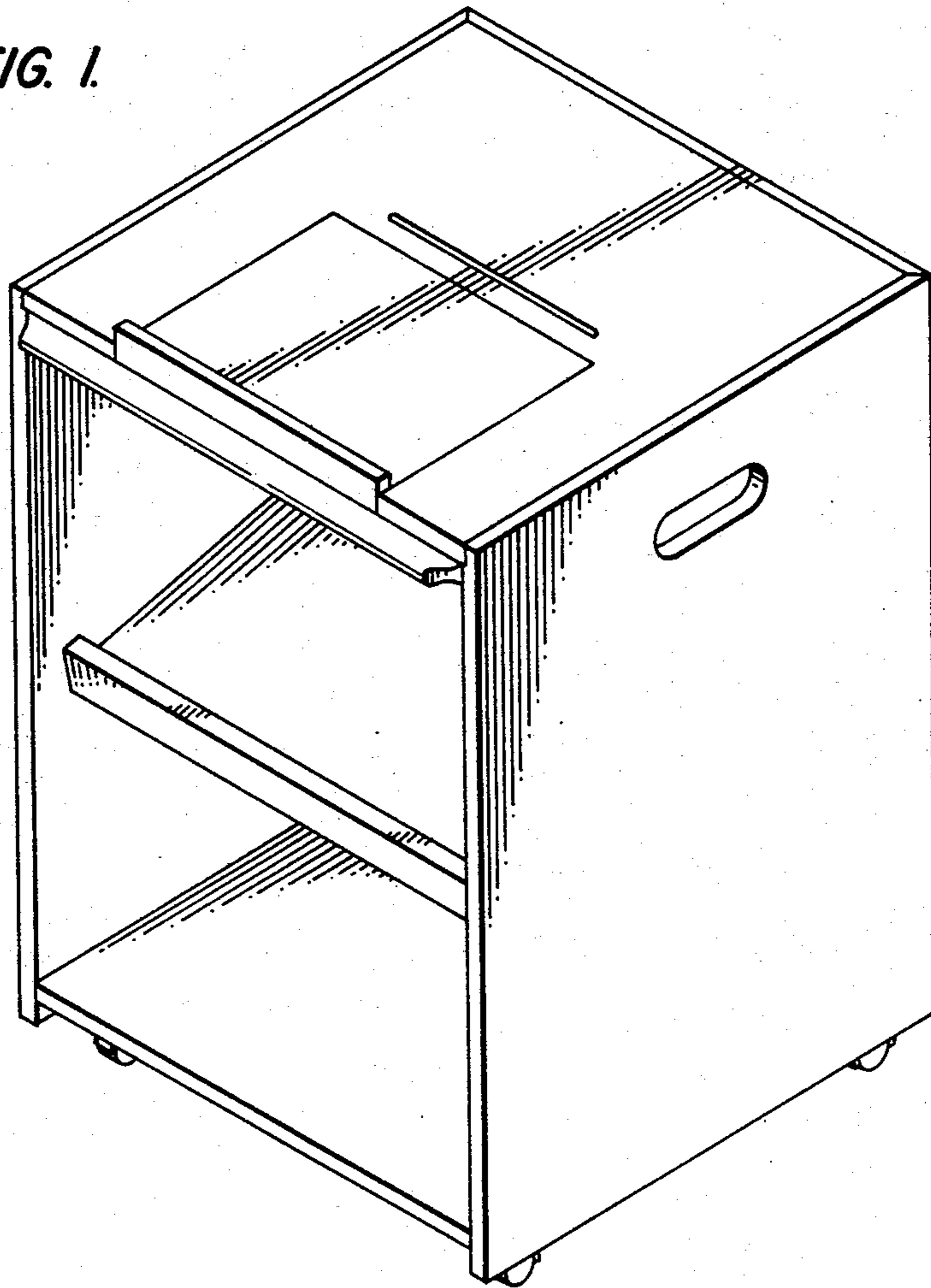


FIG. 2.

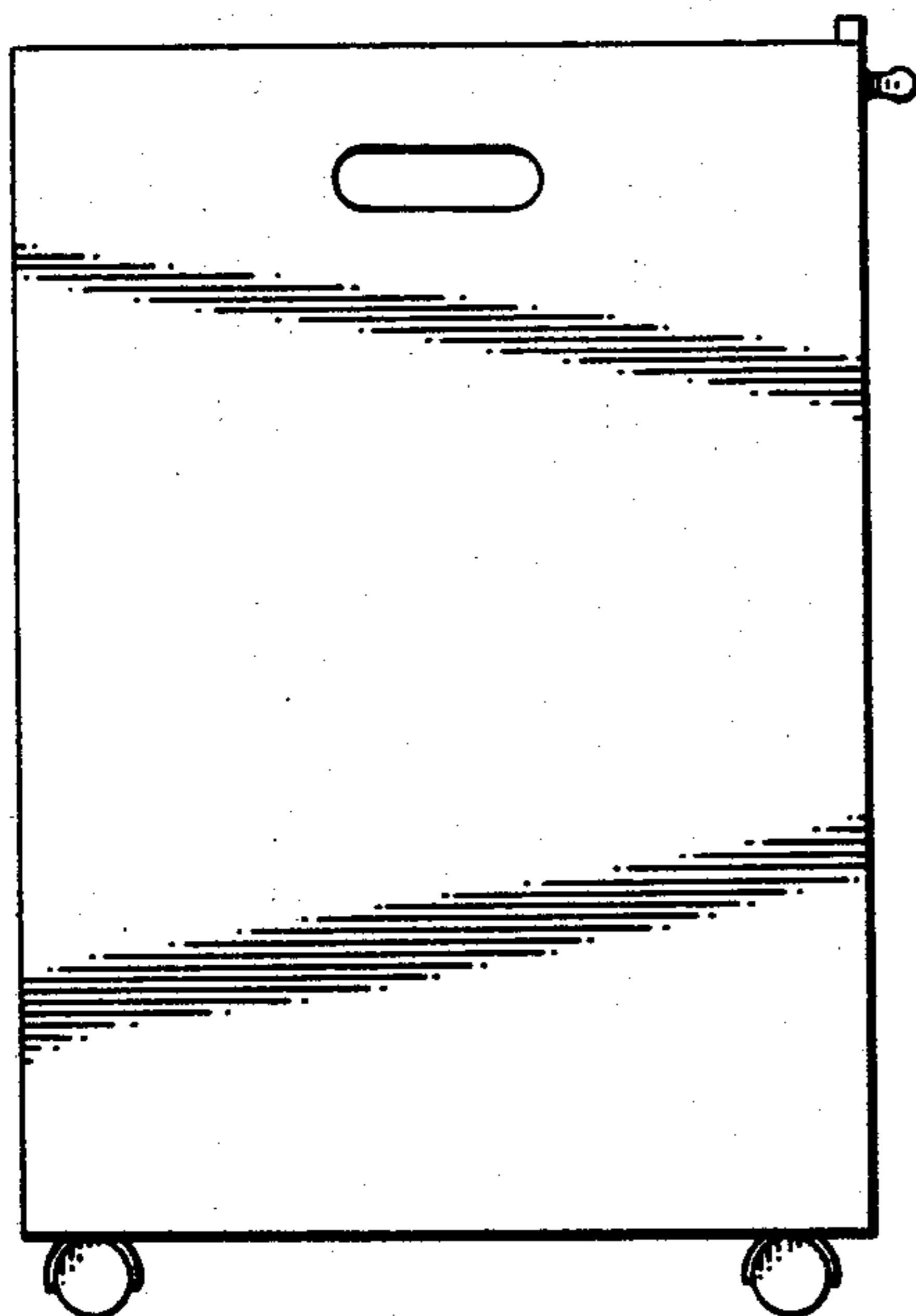


FIG. 3.

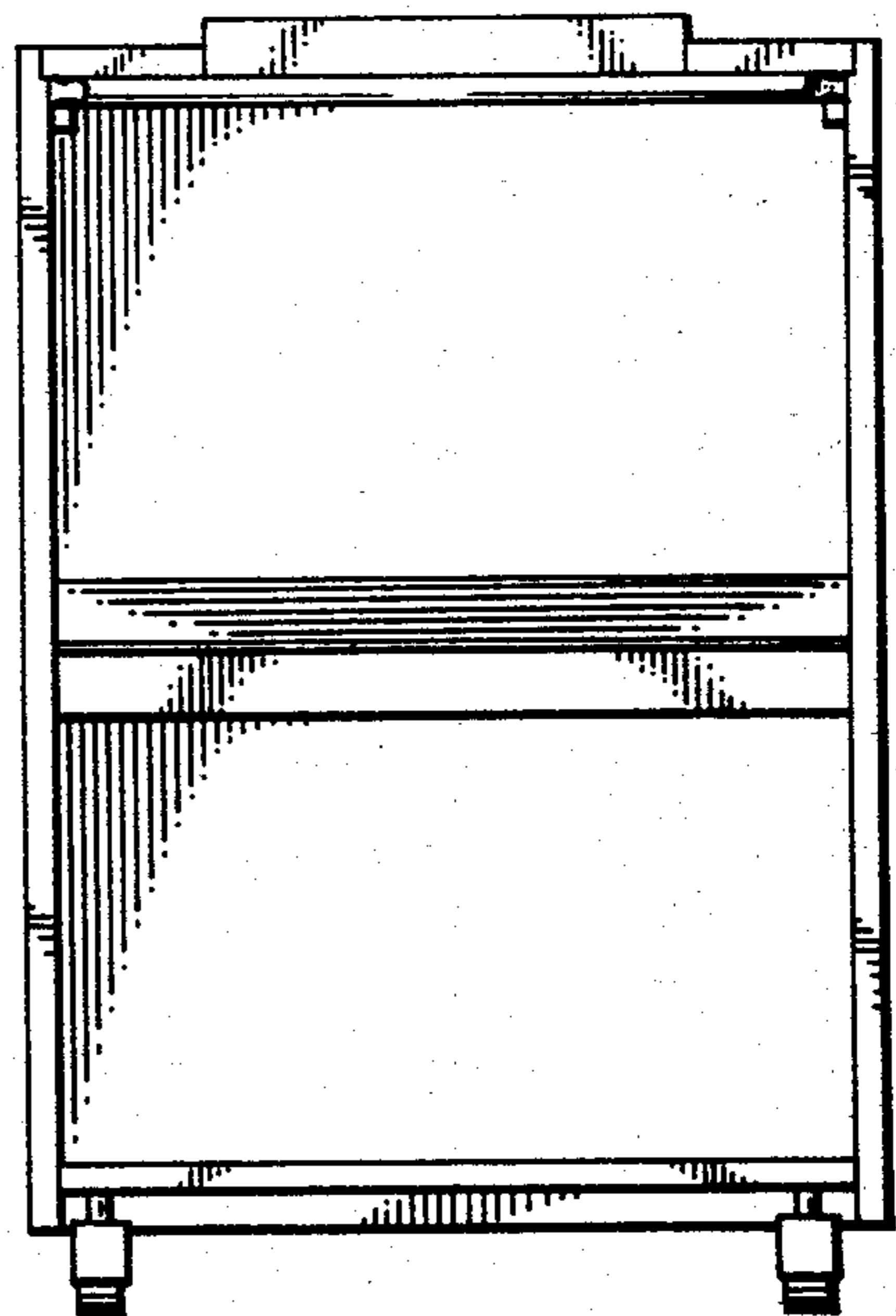


FIG. 4.

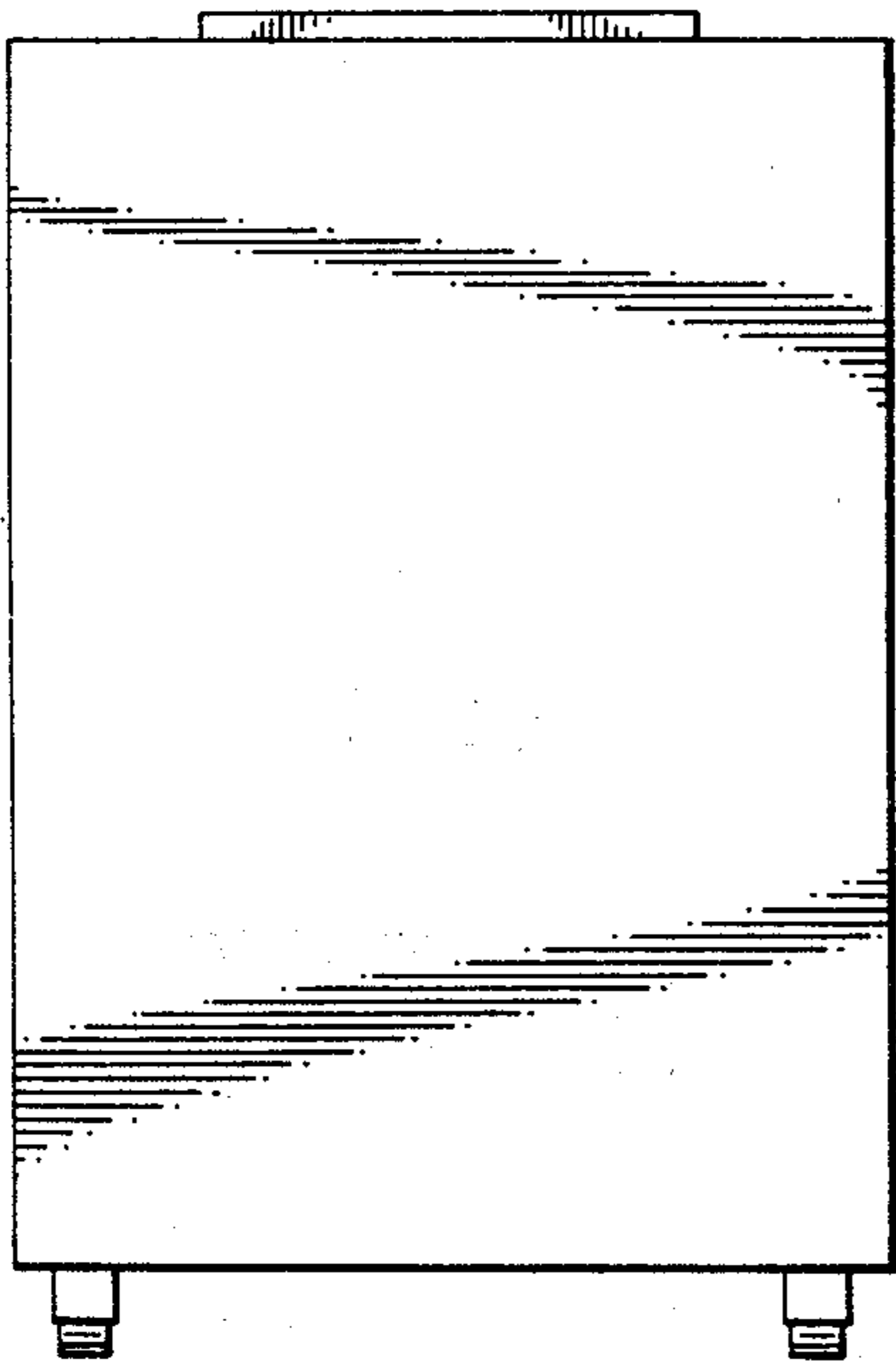


FIG. 5.

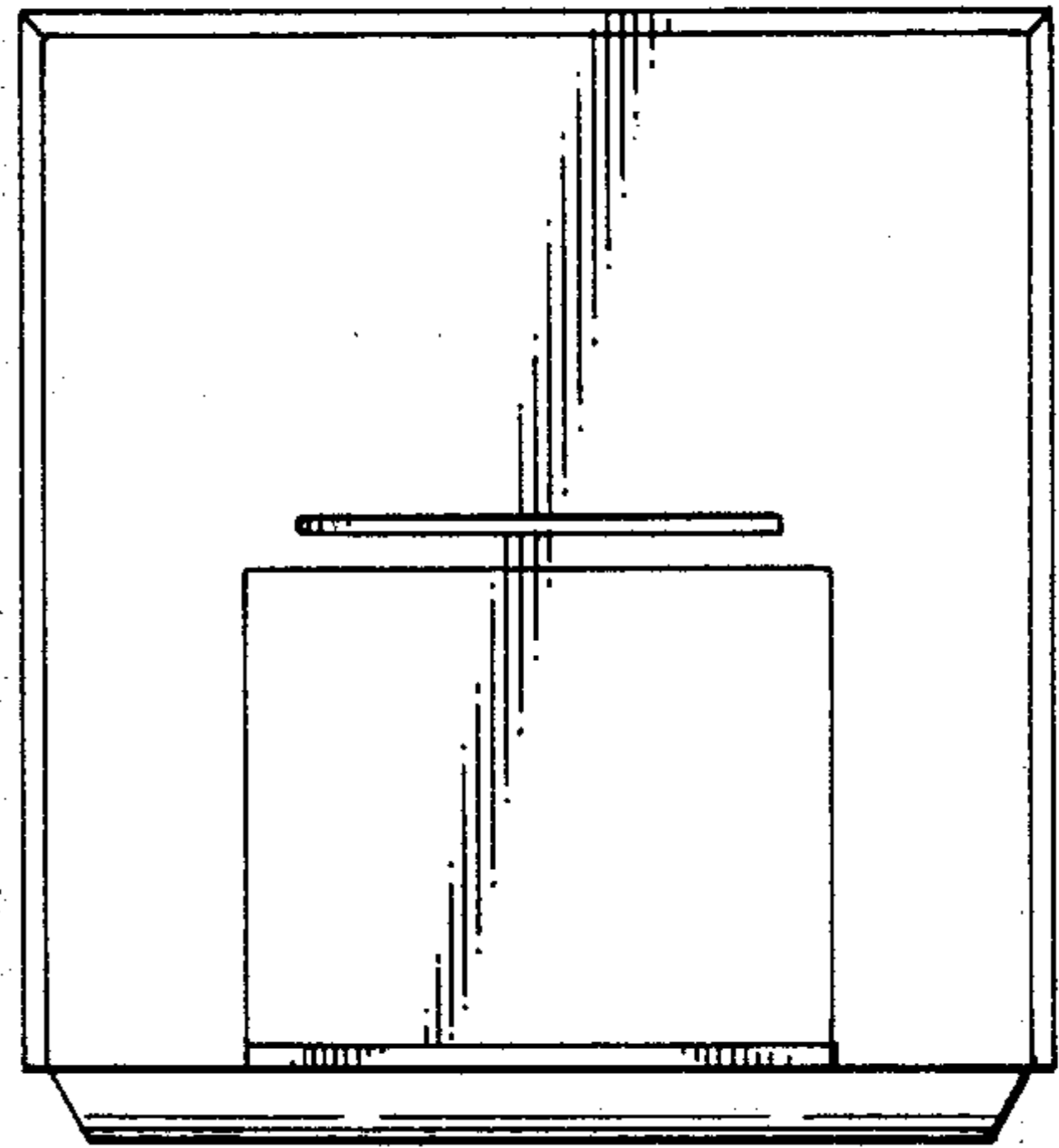


FIG. 6.

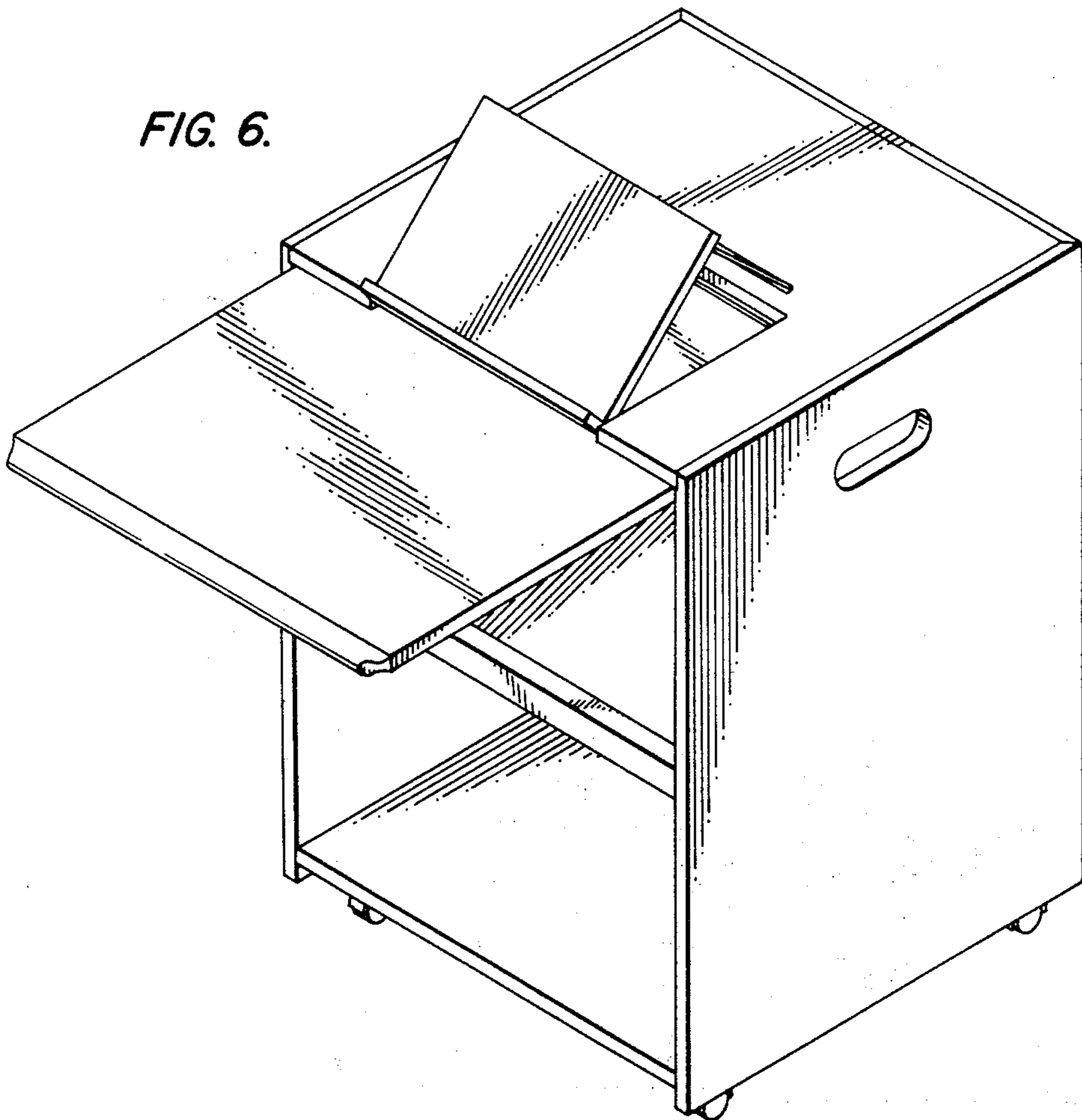


FIG. 7.

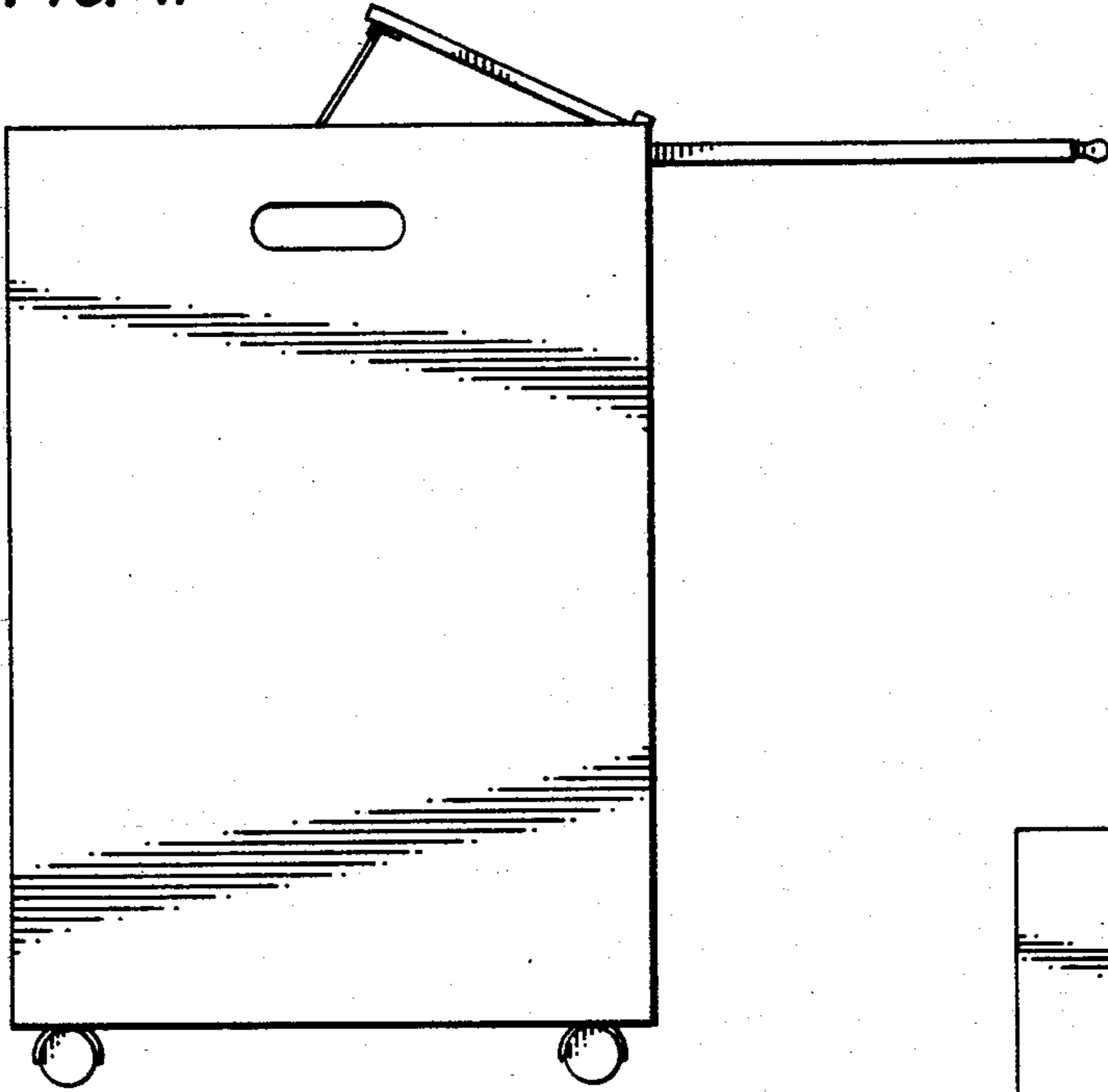


FIG. 8.

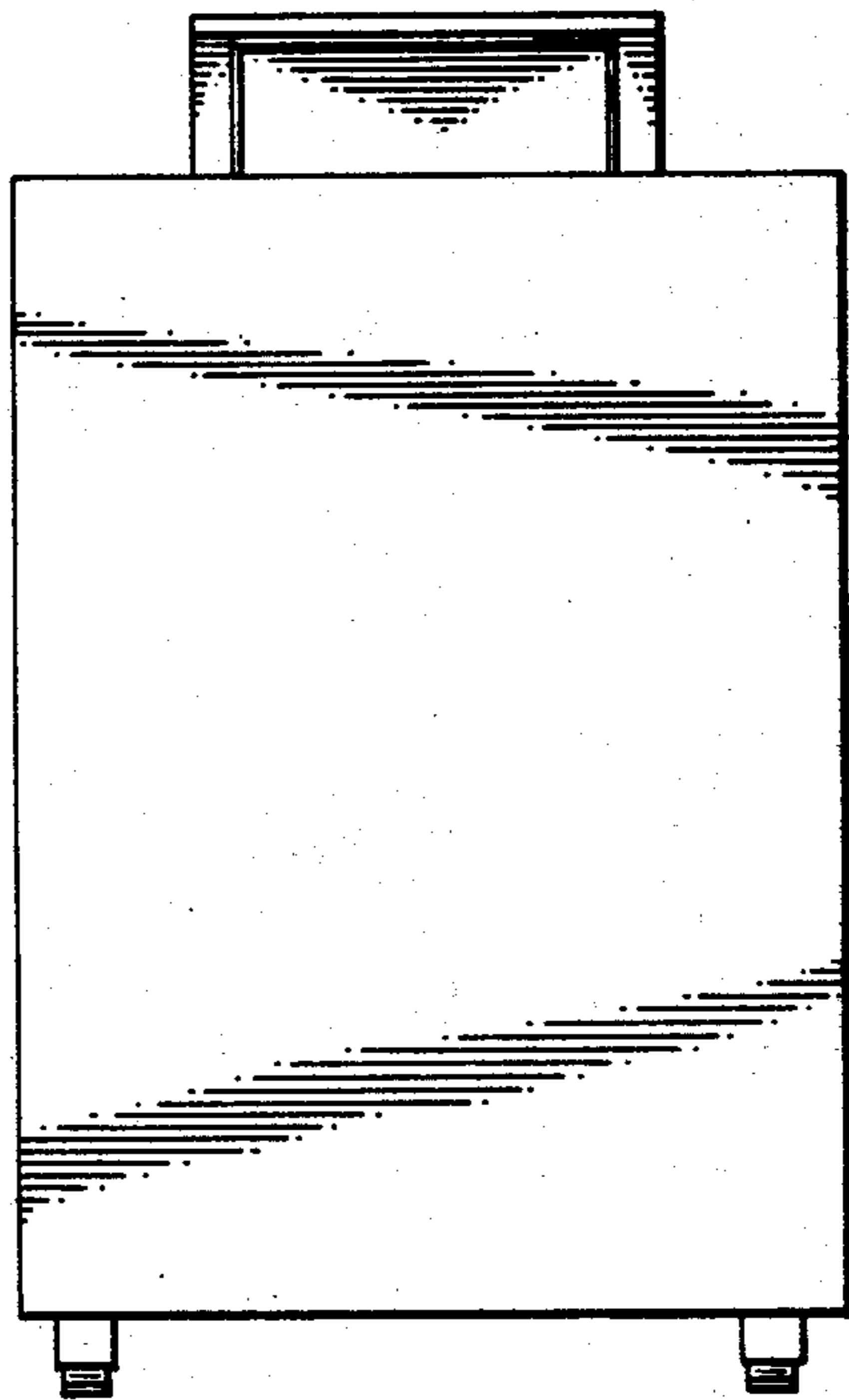


FIG. 9.

