

[54] COMBINED DESK AND PARTITION PANEL UNIT

[75] Inventors: Ettore Sottsass; Michele De Lucchi, both of Milan, Italy

[73] Assignee: Olivetti Synthesis, S.p.A., Ivrea, Italy

[**] Term: 14 Years

[21] Appl. No.: 820,376

[22] Filed: Jan. 21, 1986

Related U.S. Application Data

[62] Division of Ser. No. 456,773, Jan. 10, 1983, abandoned.

[30] Foreign Application Priority Data

Jul. 8, 1982 [IT] Italy 53490-B/82

[52] U.S. Cl. D6/397; D6/422

[58] Field of Search D6/422, 423, 424-428, D6/396, 397; 312/194-196; 211/134, 186; 52/36, 238, 241, 243; 108/152; 160/135, 351, 371, 377, 127

[56] References Cited

U.S. PATENT DOCUMENTS

D. 84,667	7/1931	Conners	D6/397
D. 157,781	3/1950	Pahlmann	D6/397
D. 203,346	12/1965	Hartzell	D6/397
D. 280,272	8/1985	Sottsass et al.	D6/422

OTHER PUBLICATIONS

Interiors 8-1972; p. 121; Desk with Partitions; top left on page.

Interiors 8-1980; p. 26; Desk with Panel by Croydon; top right on page.

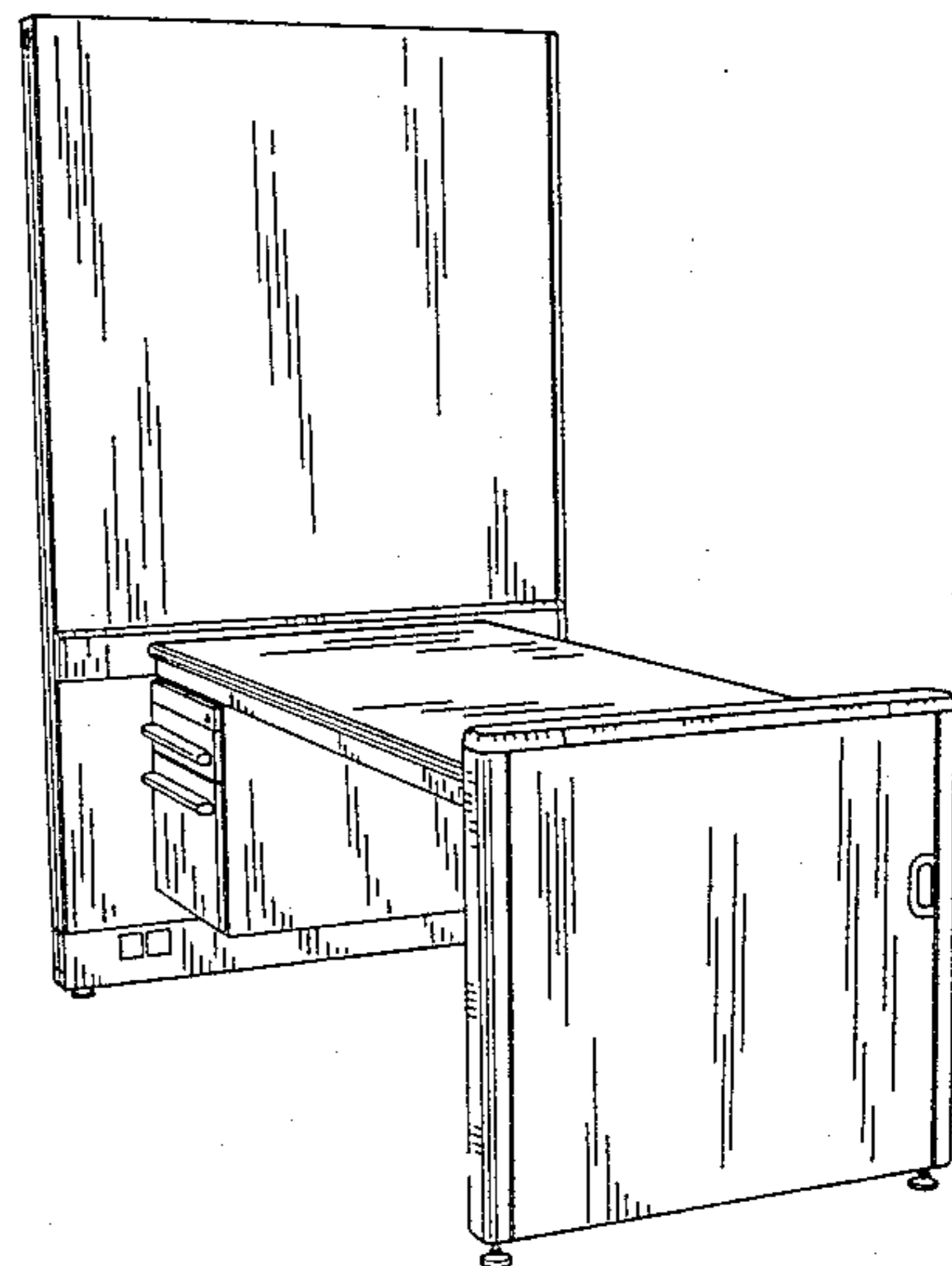
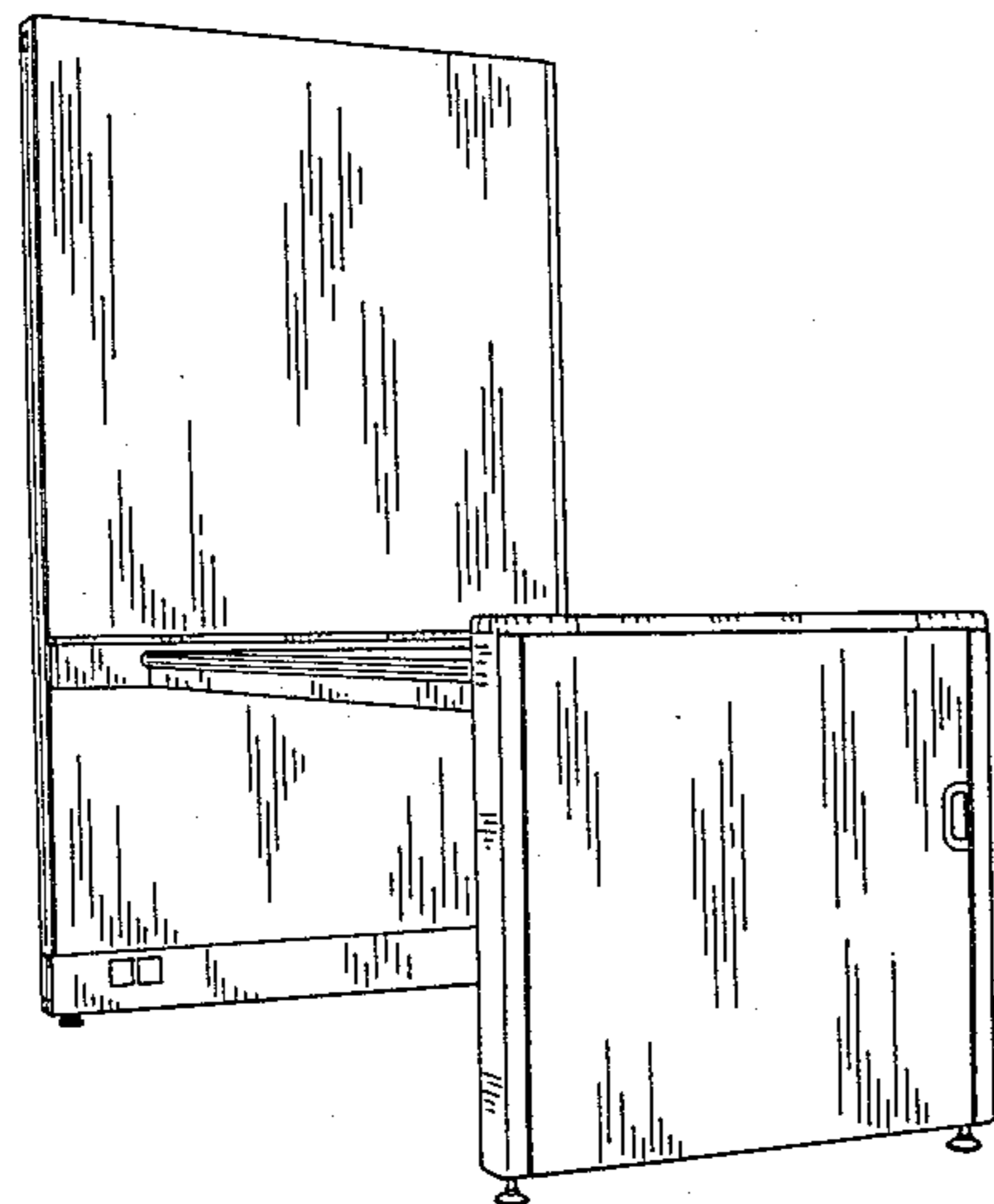
Primary Examiner—Carmen H. Vales
Attorney, Agent, or Firm—Banner, Birch, McKie & Beckett

[57] CLAIM

The ornamental design for a combined desk and partition panel unit, substantially as shown and described.

DESCRIPTION

FIG. 1 is a left side perspective view of a combined desk and partition panel unit showing our new design; FIG. 2 is a right side perspective view thereof; FIG. 3 is a left side perspective view of a modified form of the combined desk and partition panel unit shown in FIG. 1; and FIG. 4 is a right side perspective view thereof.



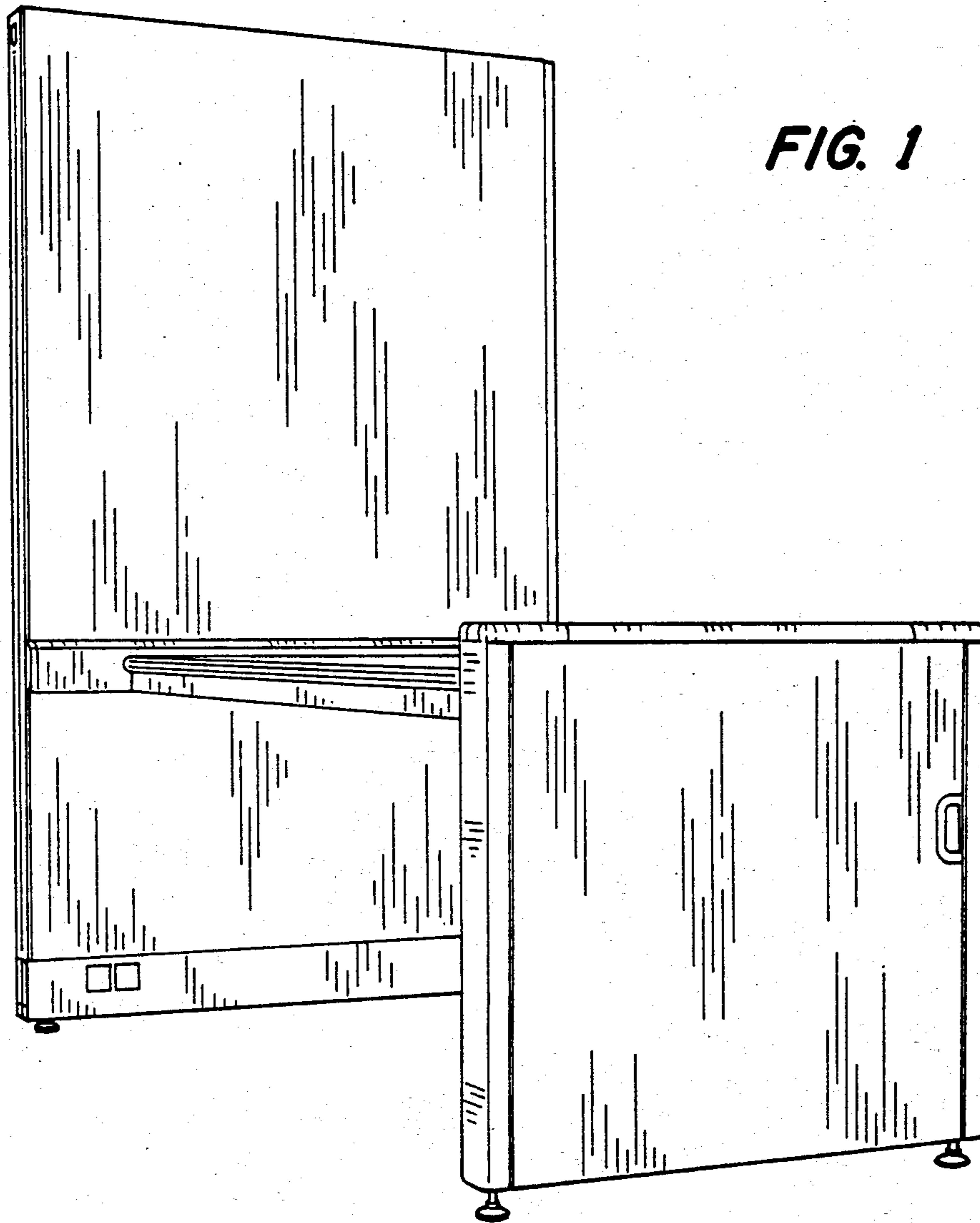
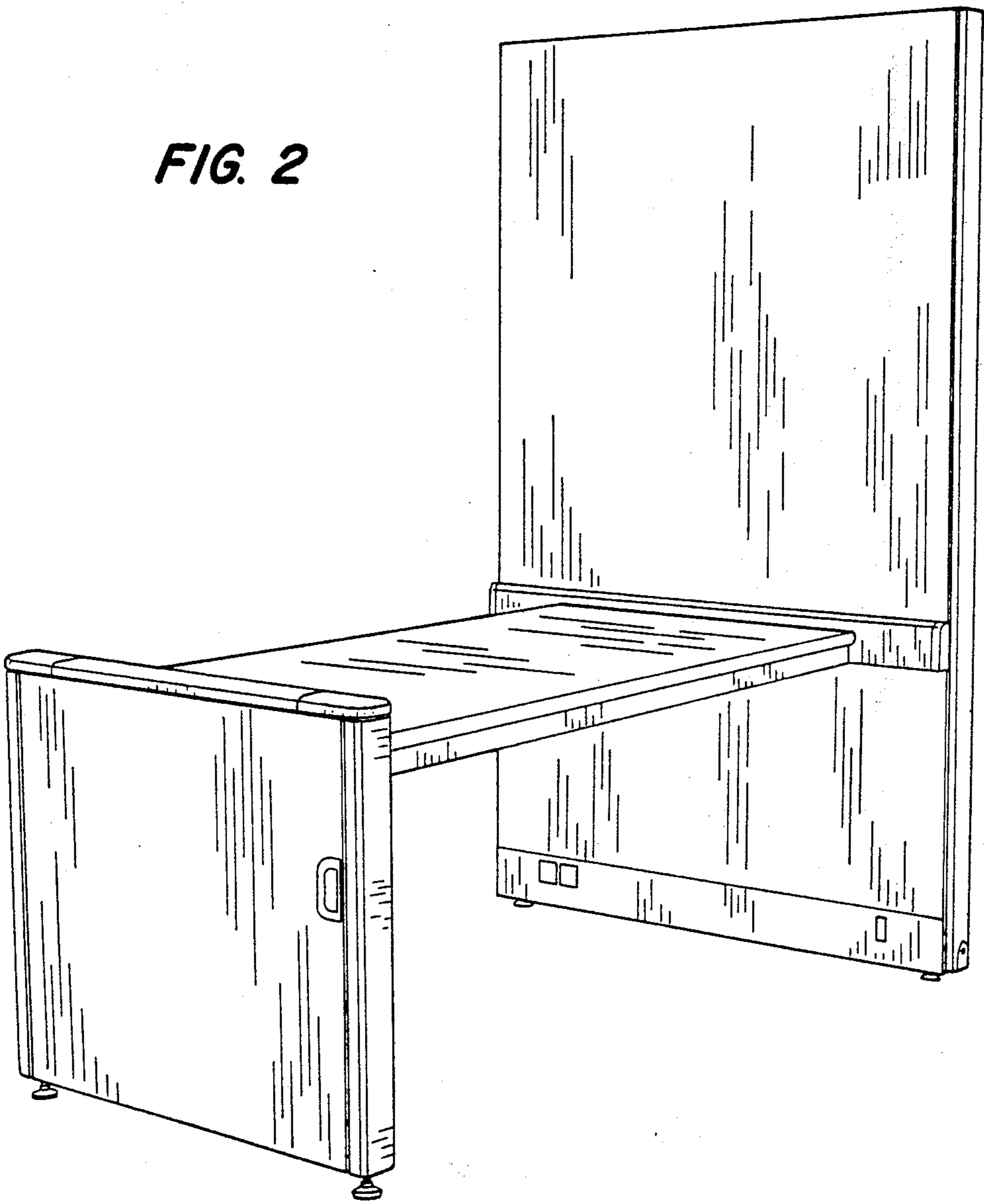


FIG. 1

FIG. 2



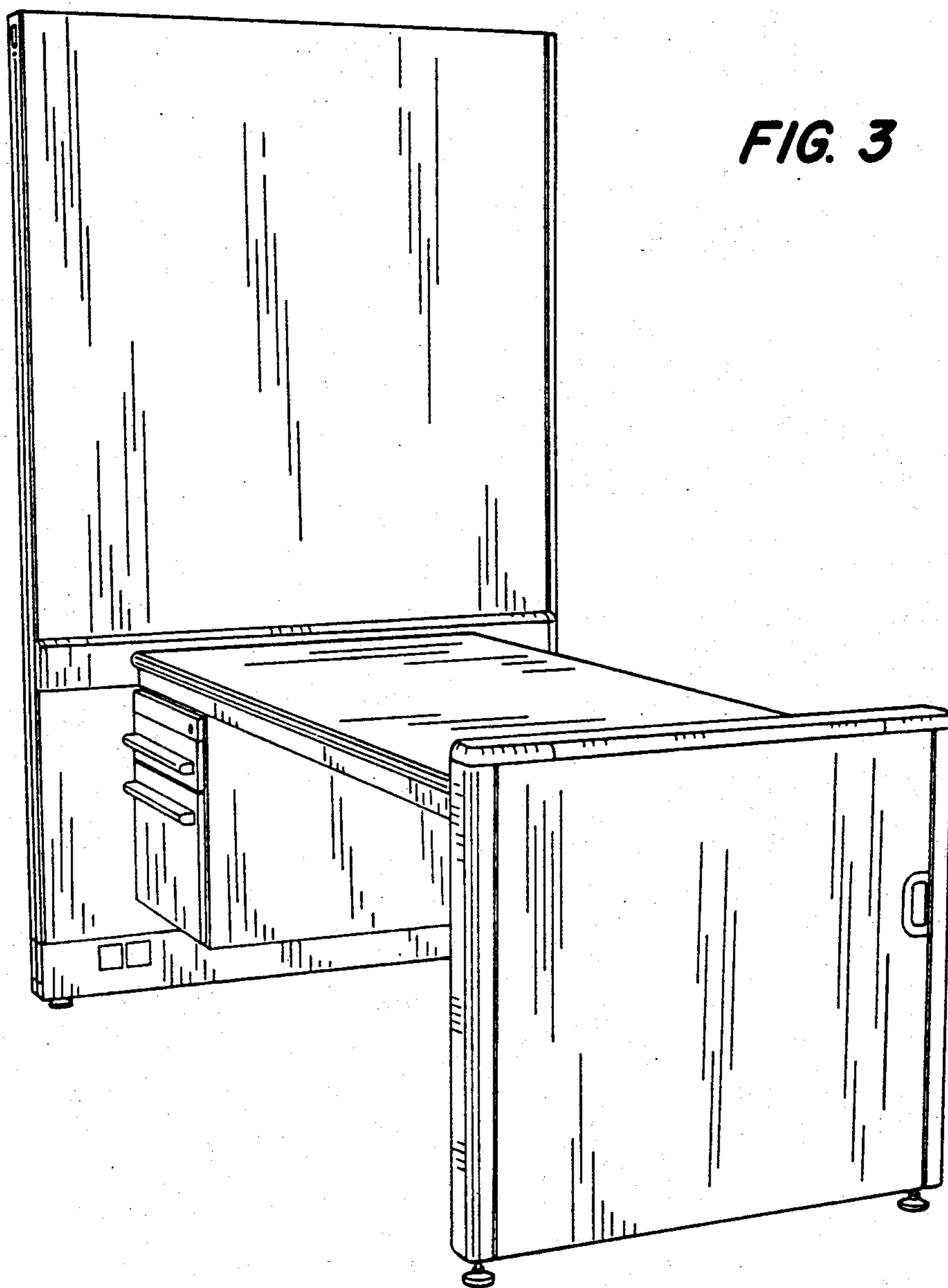


FIG. 4

