

[54] COMBINED ADAPTOR AND DISPENSER FOR BIRD FEED CONTAINER

[75] Inventor: Norman M. Earl, Canton, Conn.

[73] Assignee: The Bird Chef Co., Inc., Canton, Conn.

[**] Term: 14 Years

[21] Appl. No.: 657,405

[22] Filed: Oct. 3, 1984

[52] U.S. Cl. D30/13

[58] Field of Search D30/13-18, D30/42; 119/51 R, 52 R, 52 AF, 53, 53.5, 61, 70

[56] References Cited

U.S. PATENT DOCUMENTS

D. 138,103 6/1944 Setzer D30/13

2,875,729 3/1959 Gibson 119/52 R

Primary Examiner—Wallace R. Burke

Assistant Examiner—Brian N. Vinson

Attorney, Agent, or Firm—Chilton, Alix & Van Kirk

[57] CLAIM

The ornamental design for a combined adaptor and dispenser for bird feed container, substantially as shown and described.

DESCRIPTION

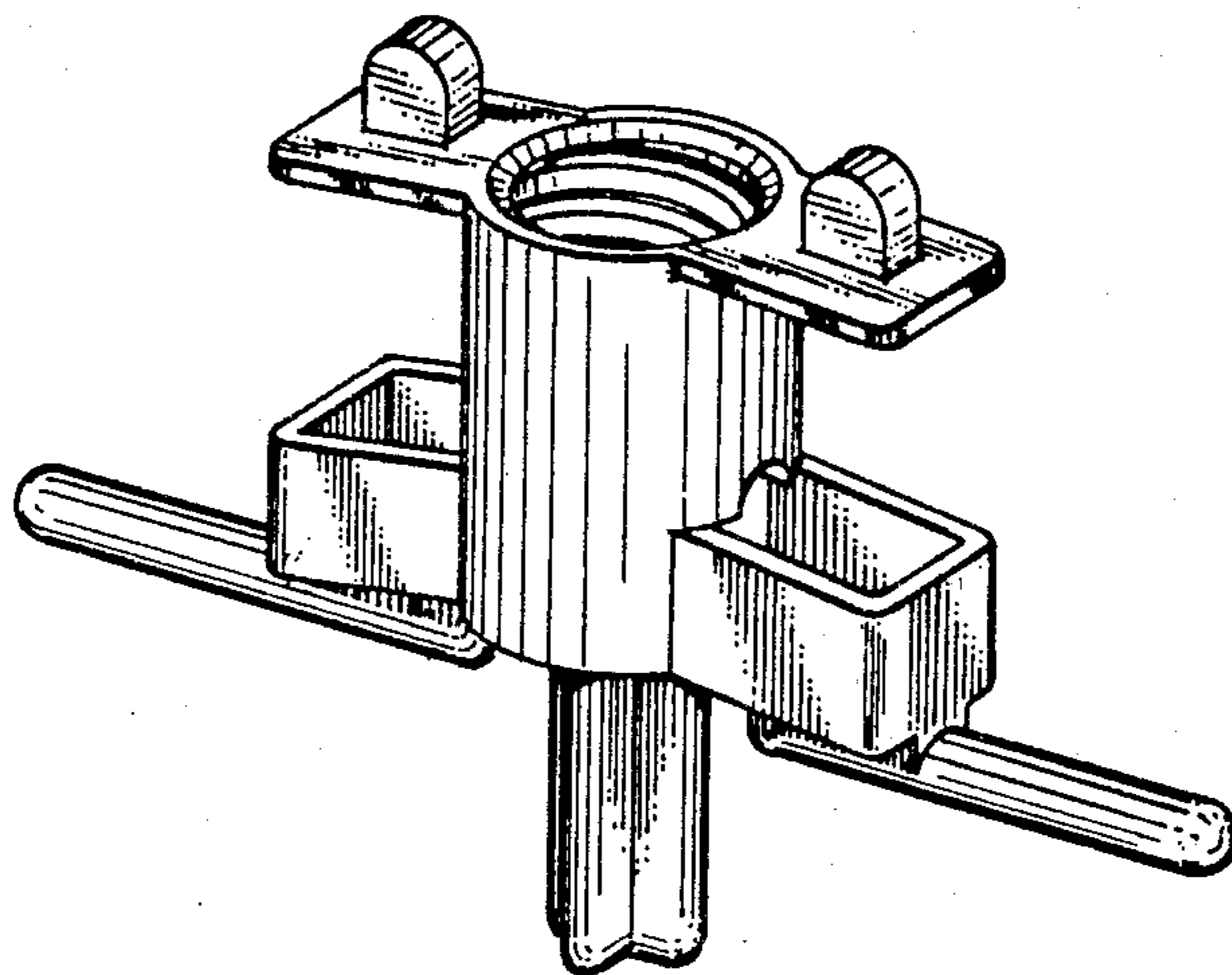
FIG. 1 is a front elevational view of a combined adaptor and dispenser for a bird feed container showing my new design, with the rear elevation being identical in appearance;

FIG. 2 is a right side elevational view thereof, with the left side being identical in appearance;

FIG. 3 is a top plan view thereof;

FIG. 4 is a bottom plan view thereof; and

FIG. 5 is a top perspective view thereof.



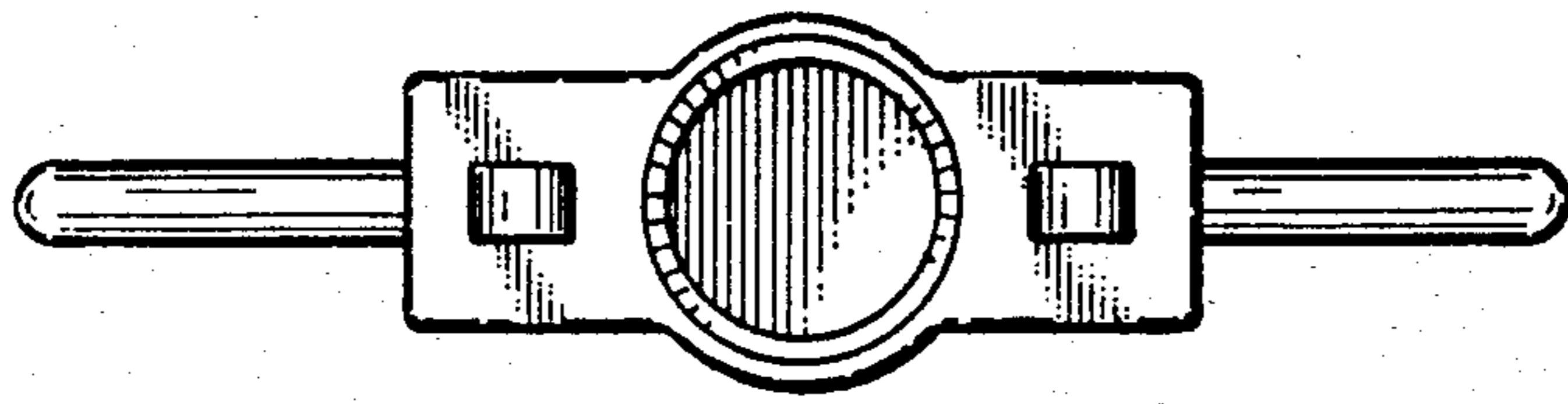


FIG. 3

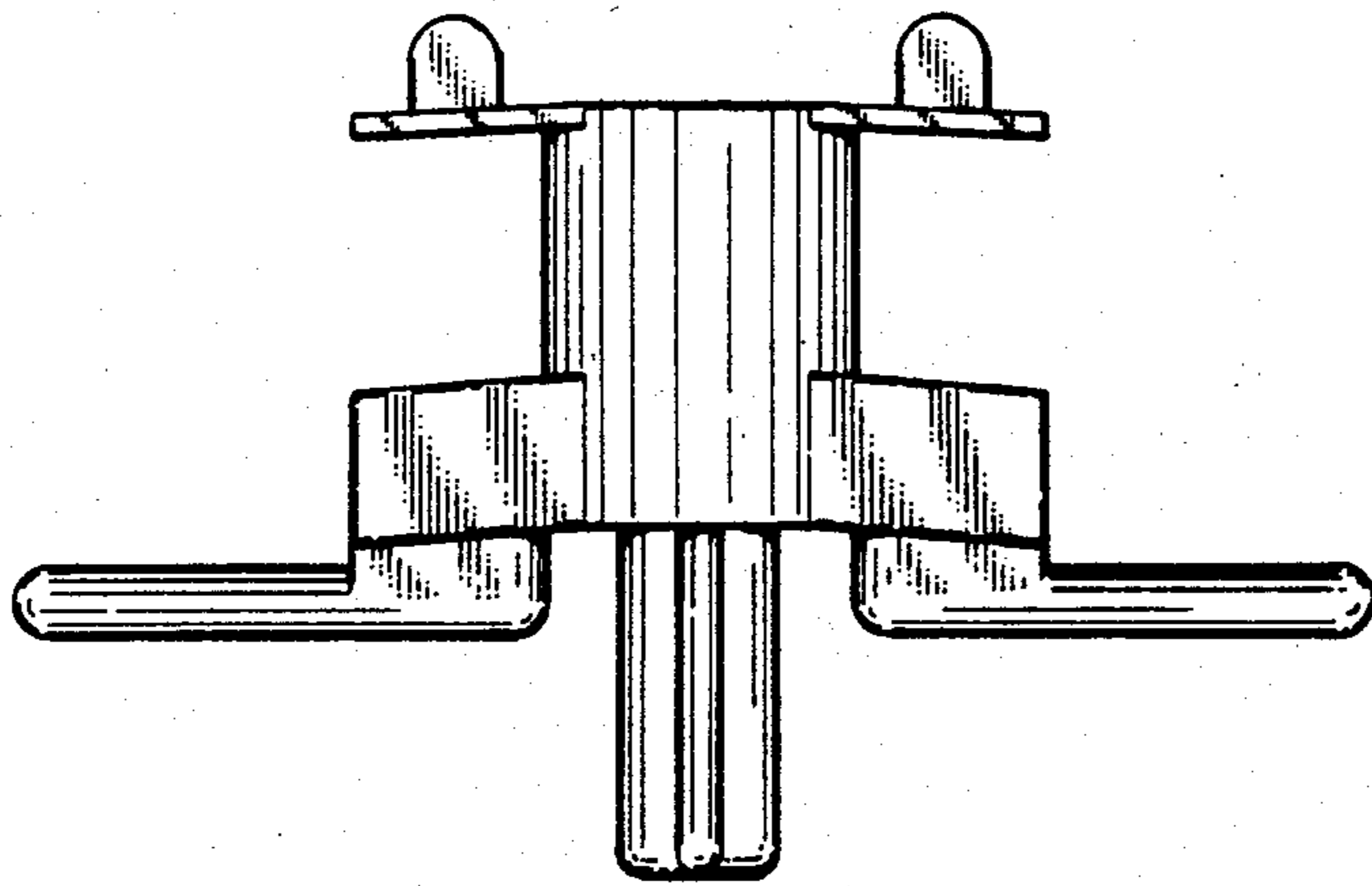


FIG. 1

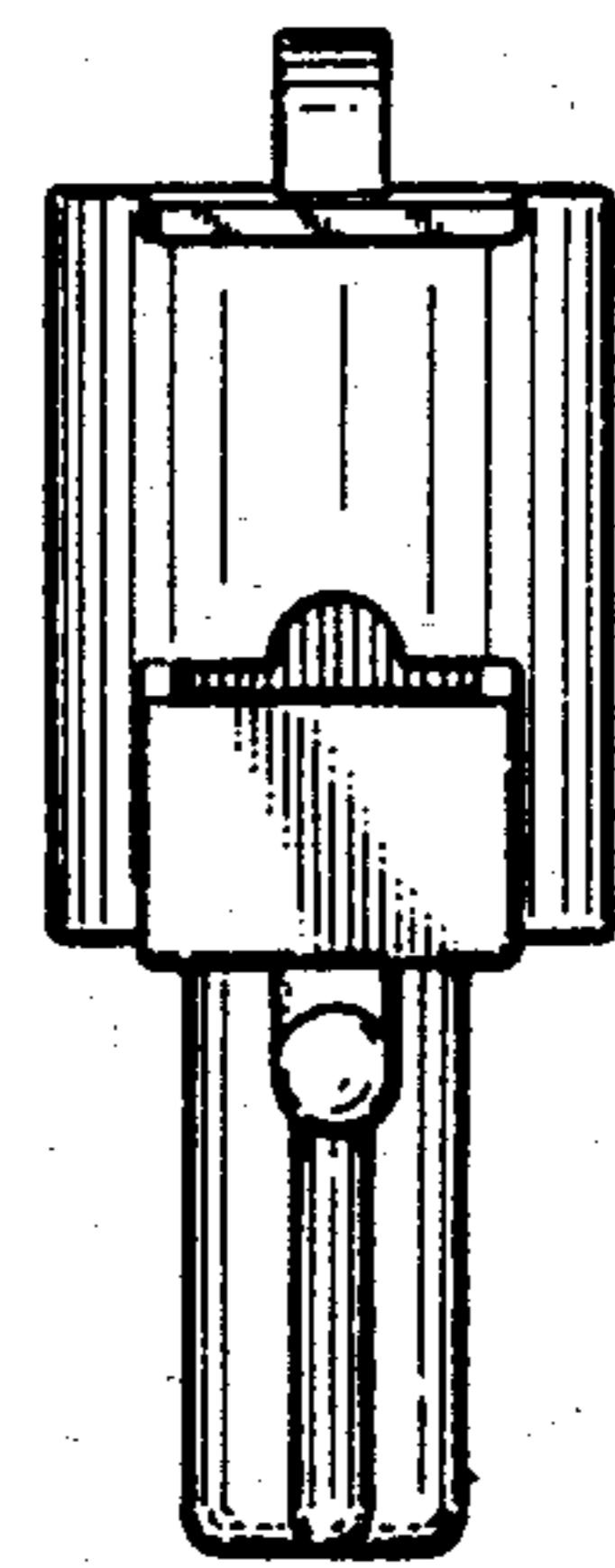


FIG. 2

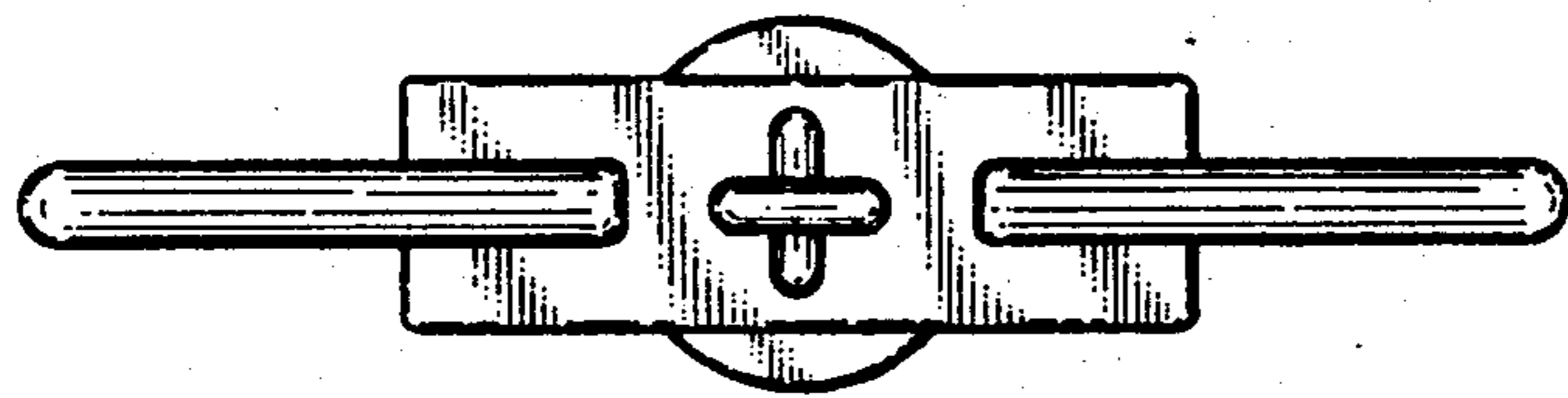


FIG. 4

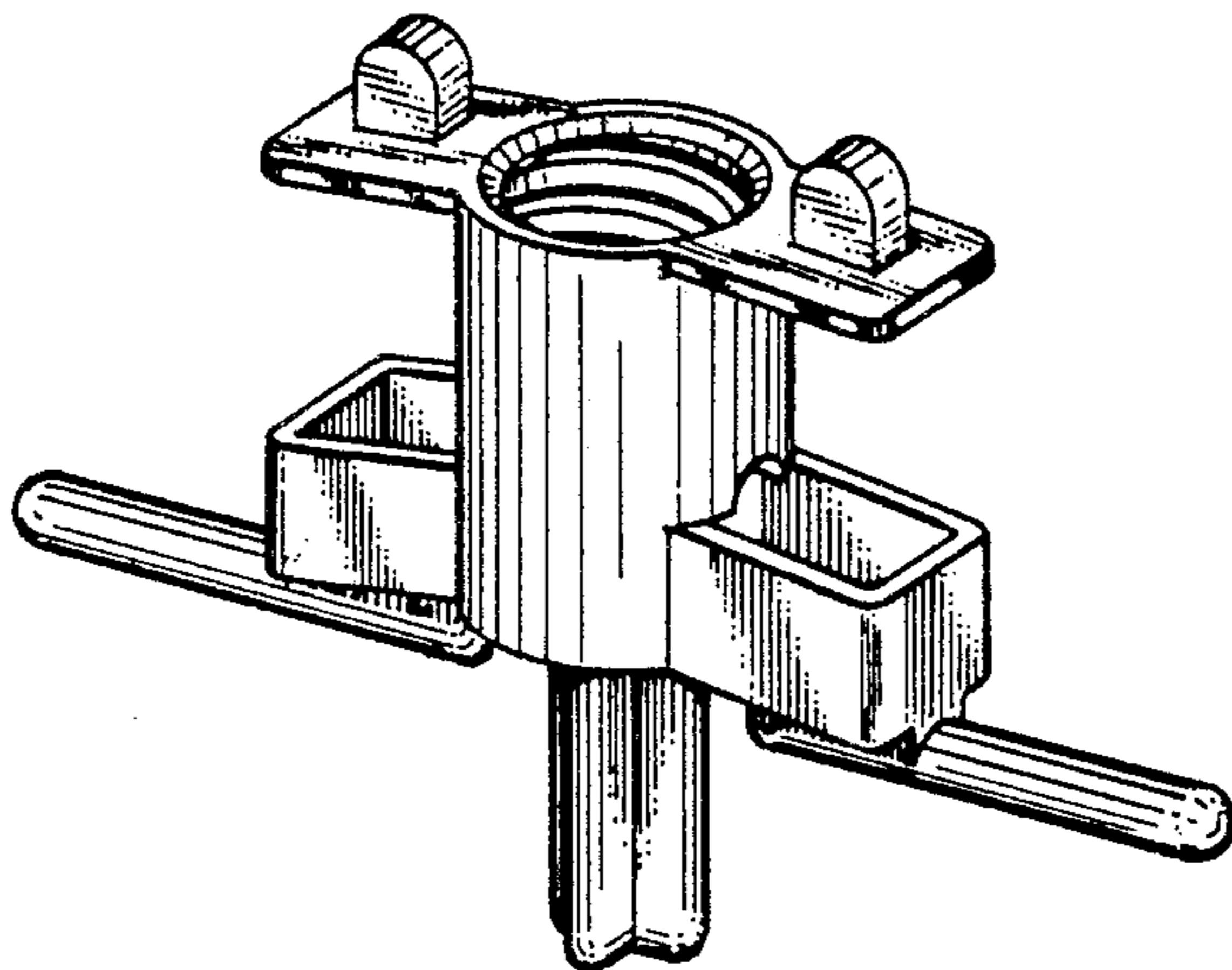


FIG. 5