

[54] LAMP BASE

[75] Inventor: Terry Manton, Clifton, N.J.

[73] Assignee: Westwood Lighting Group, Inc., Paterson, N.J.

[**] Term: 14 Years

[21] Appl. No.: 688,138

[22] Filed: Jan. 2, 1985

[52] U.S. Cl. D26/110

[58] Field of Search D26/93, 102-112; 362/410-414, 431; 248/158

[56] References Cited

U.S. PATENT DOCUMENTS

- D. 81,487 7/1930 Kornblum D26/103
- D. 175,386 8/1955 Borowitz D26/106

OTHER PUBLICATIONS

Dunning Industries Table Lamp Catalog, 3-1973, p. 27, Table Lamp #958-879.

Royal Haeger Lamp Co. Centennial ed. Catalog, 1971, p. 8, Table Lamp #M-6563.

Stiffel Co. Lamp Catalog, Spring 1954, p. 4, Table Lamp #9620-B.

Primary Examiner—Susan J. Lucas
Attorney, Agent, or Firm—Blum Kaplan

[57] CLAIM

The ornamental design for a lamp base, as shown and described.

DESCRIPTION

FIG. 1 is a front elevational view of a lamp base showing my new design, the rear and sides being identical thereto;

FIG. 2 is a top plan view thereof; and
FIG. 3 is a bottom plan view thereof.

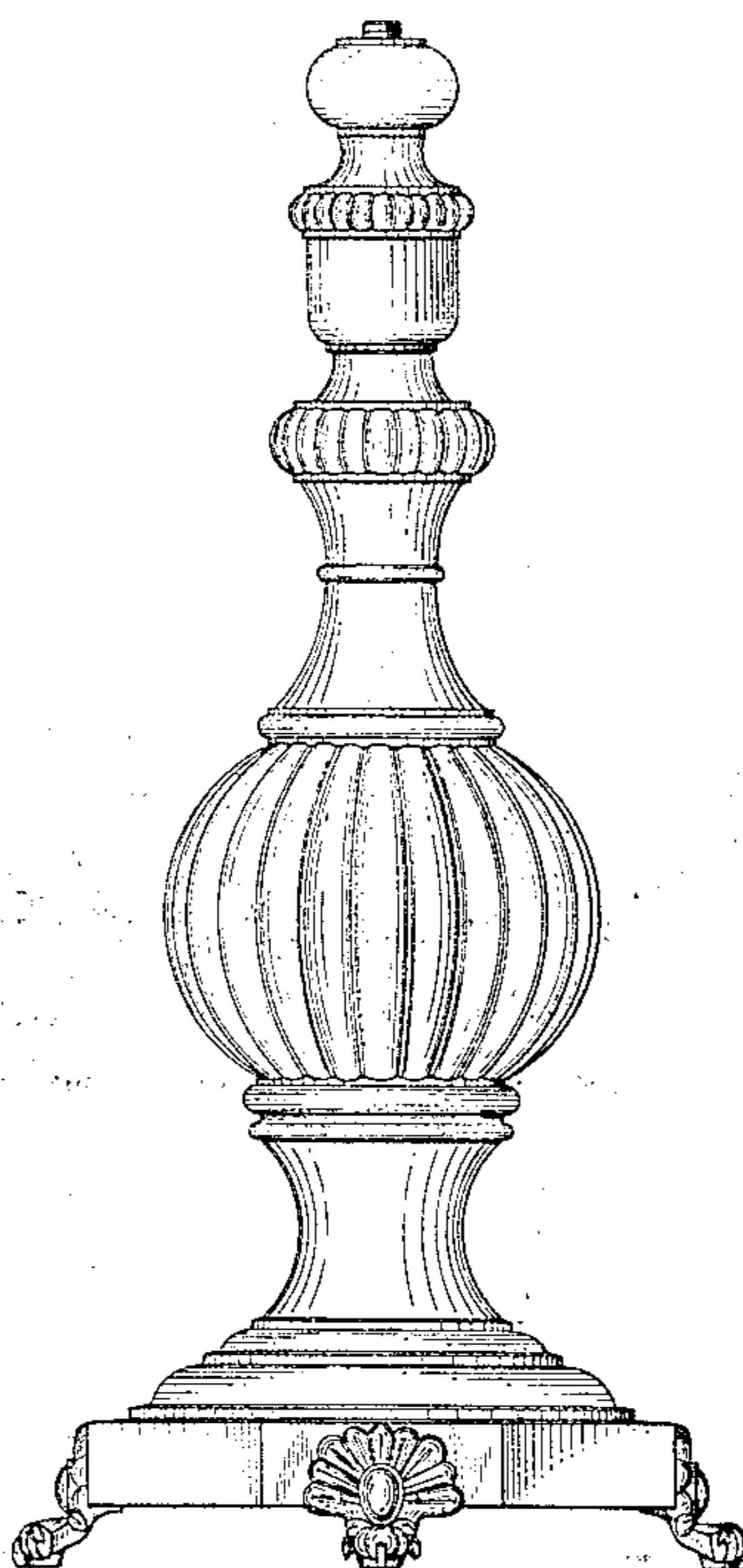


FIG. 1

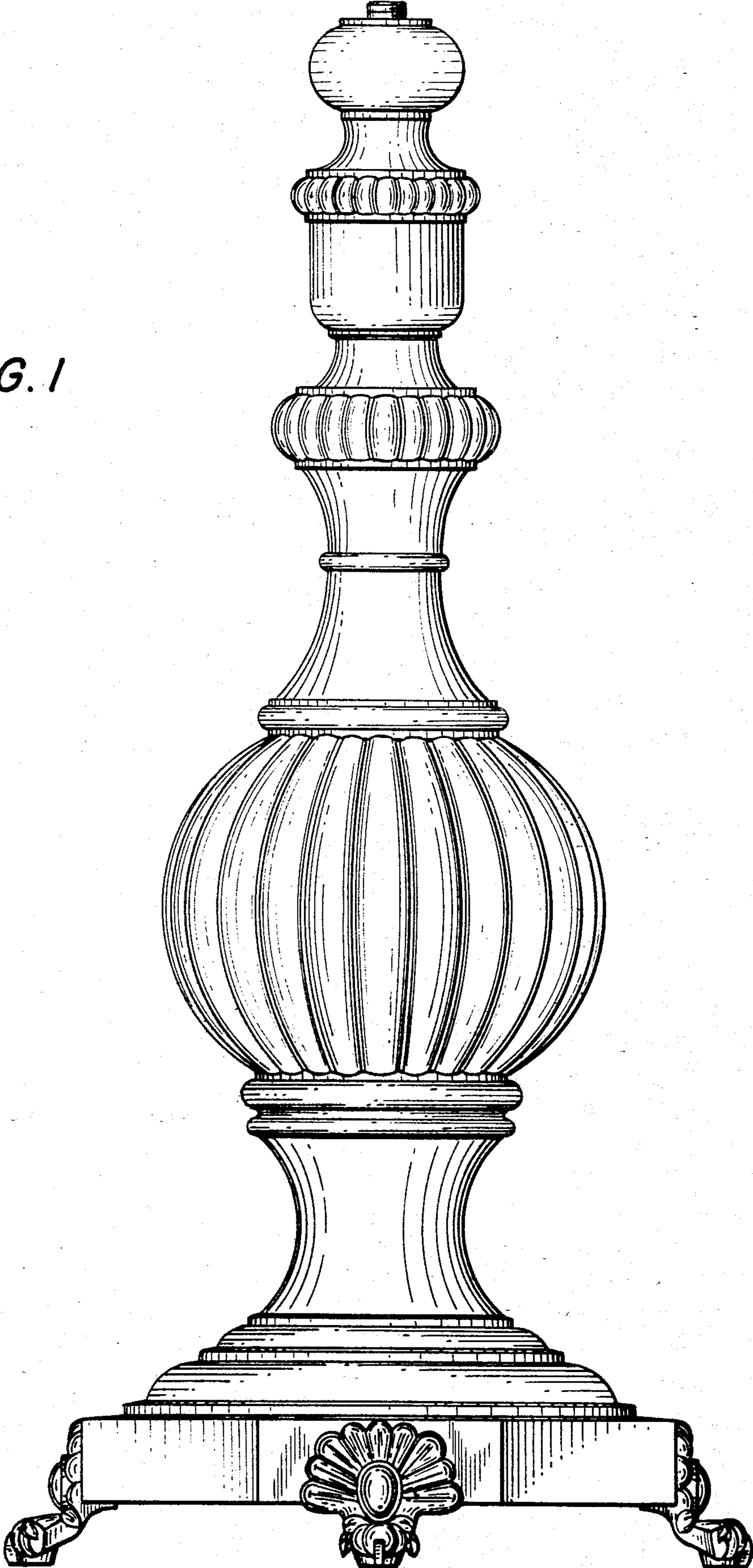


FIG. 2

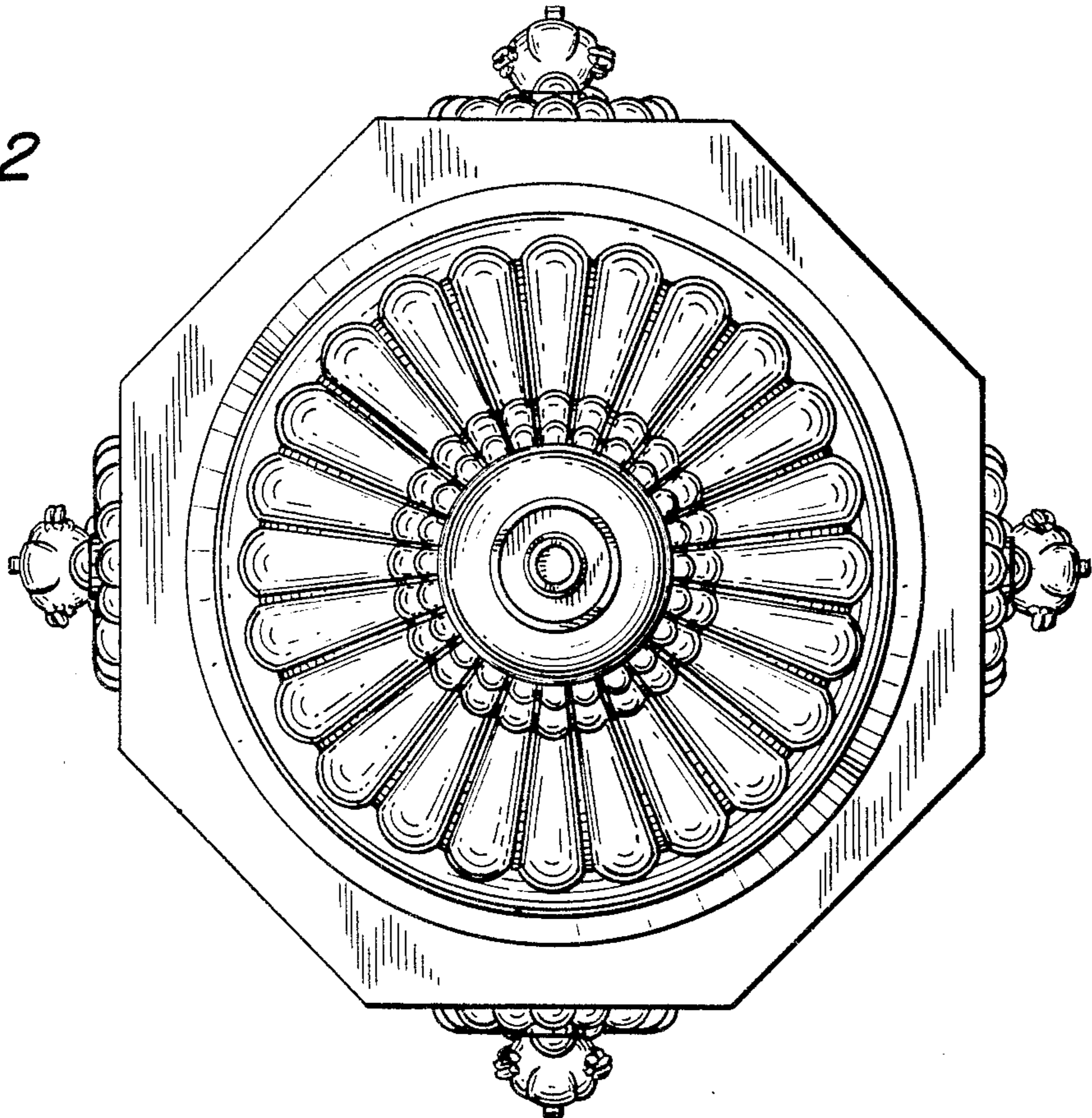


FIG. 3

