

[54] COMBINED CHAIR AND HYDROTHERAPY UNIT FOR LEGS

[75] Inventor: Torbjörn Löfgren, Broby, Sweden

[73] Assignee: Hydroterapi AB, Broby, Sweden

[**] Term: 14 Years

[21] Appl. No.: 654,368

[22] Filed: Sep. 25, 1984

[30] Foreign Application Priority Data

Mar. 27, 1984 [SE] Sweden 84-1014

[52] U.S. Cl. D24/38; 128/66

[58] Field of Search D24/36-38; D23/48-51; D12/131; 128/65, 66; 4/573, 574, 578, 621, 622

[56] References Cited

U.S. PATENT DOCUMENTS

| | | | | |
|------------|---------|-----------------|-------|----------|
| D. 187,060 | 1/1960 | Bohnenblust | | D24/38 |
| D. 199,882 | 12/1964 | Benson | | D24/38 |
| D. 221,705 | 8/1971 | Benson | | D24/38 |
| 3,027,568 | 4/1962 | Blau et al. | | 4/622 X |
| 3,378,004 | 4/1968 | Claycomb et al. | | 128/66 |
| 3,487,996 | 1/1970 | Lofgren | | 236/12 |
| 3,837,334 | 9/1974 | Johnson | | 128/66 X |
| 3,845,759 | 11/1974 | Miklovic | | 128/66 |
| 4,090,507 | 5/1978 | Van Horn | | 128/66 |

| | | | | |
|-----------|--------|-----------|-------|--------|
| 4,099,522 | 7/1978 | Alenares | | 128/66 |
| 4,181,127 | 1/1980 | Pavletich | | 128/66 |
| 4,192,297 | 3/1980 | Labrecque | | 128/66 |

Primary Examiner—James R. Largen
Attorney, Agent, or Firm—Balogh, Osann, Kramer, Dvorak, Genova & Traub

[57] CLAIM

The ornamental design for a combined chair and hydrotherapy unit for legs, substantially as shown and described.

DESCRIPTION

FIG. 1 is a perspective view taken from the left side of a combined chair and hydrotherapy unit for legs showing my new design;

FIG. 2 is a perspective view taken from the right side thereof;

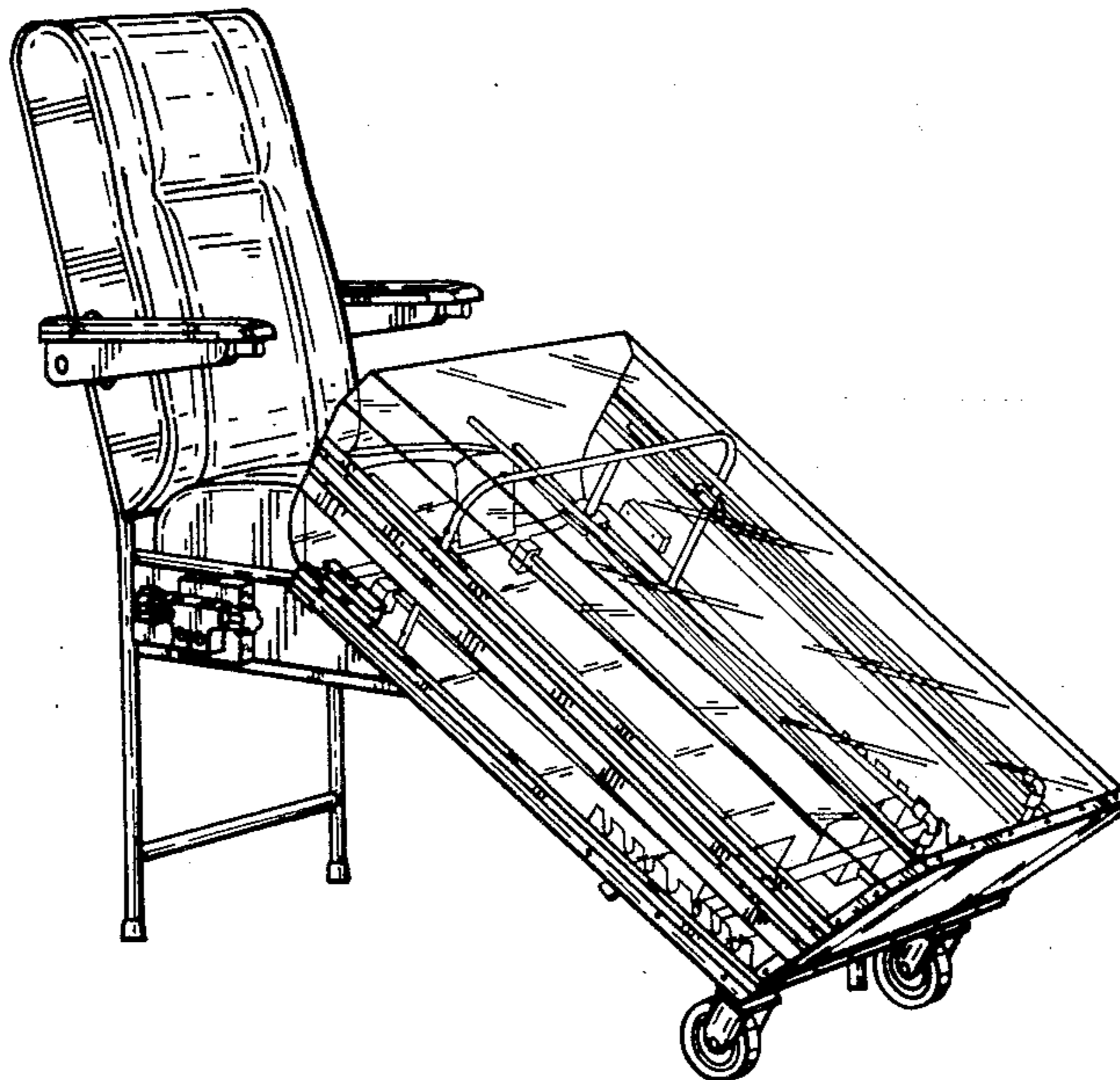
FIG. 3 is a perspective view taken from the front thereof;

FIG. 4 is a perspective view taken from the rear thereof;

FIG. 5 is a perspective view taken from the rear and left side thereof;

FIG. 6 is a perspective view taken from the top and rear thereof, showing the cover in an open position; and

FIG. 7 is a perspective view taken from the front and left side thereof.



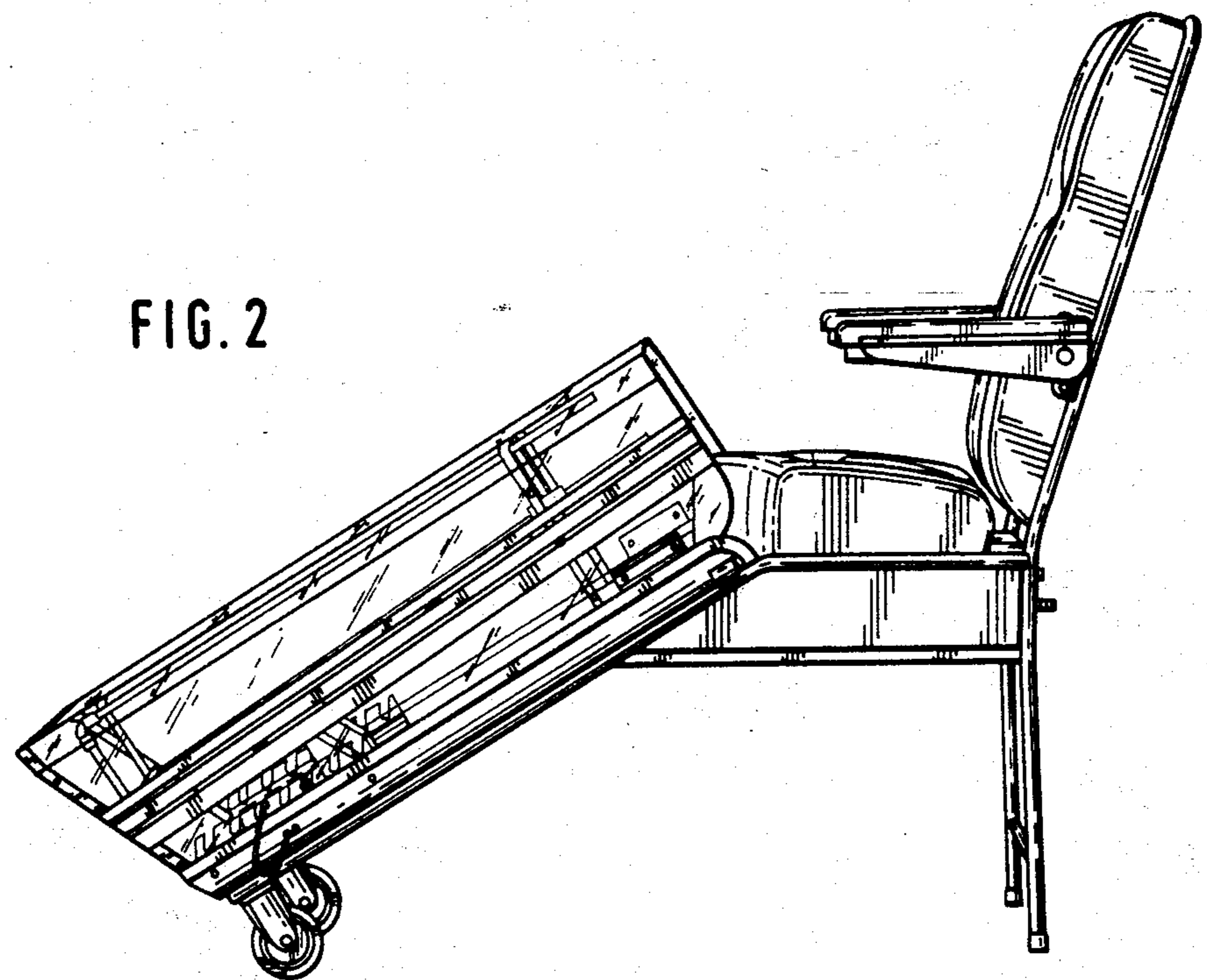
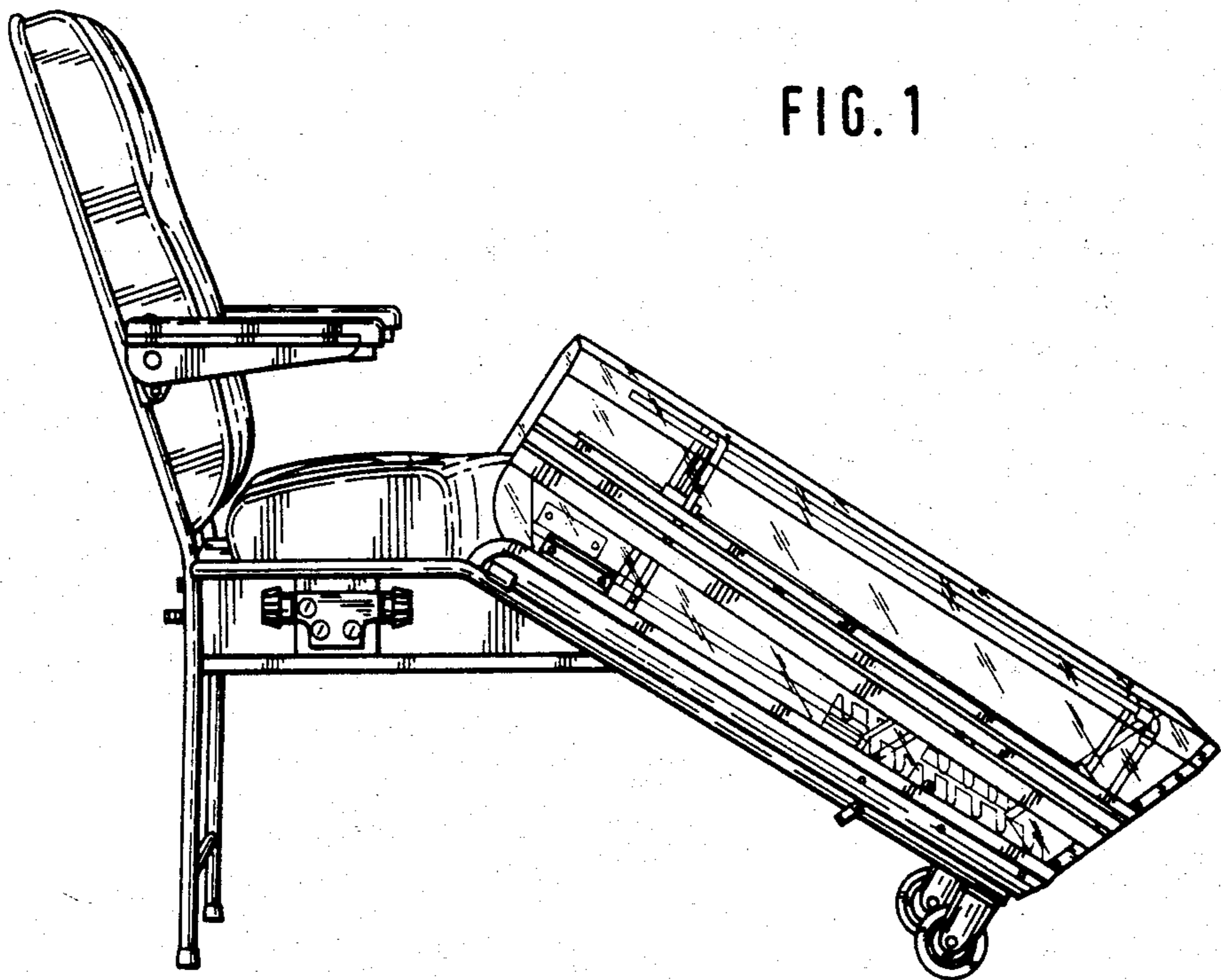


FIG. 3

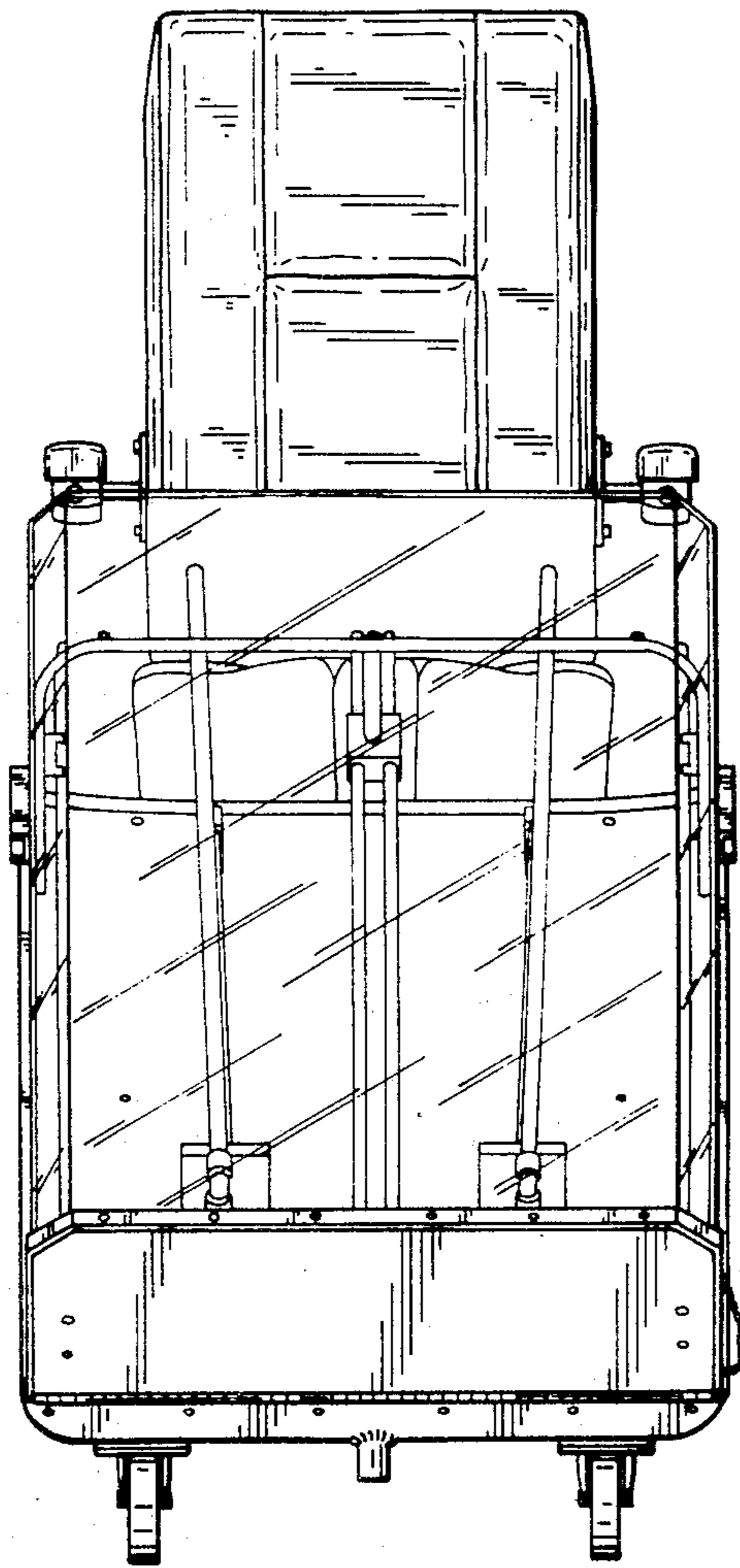


FIG. 4

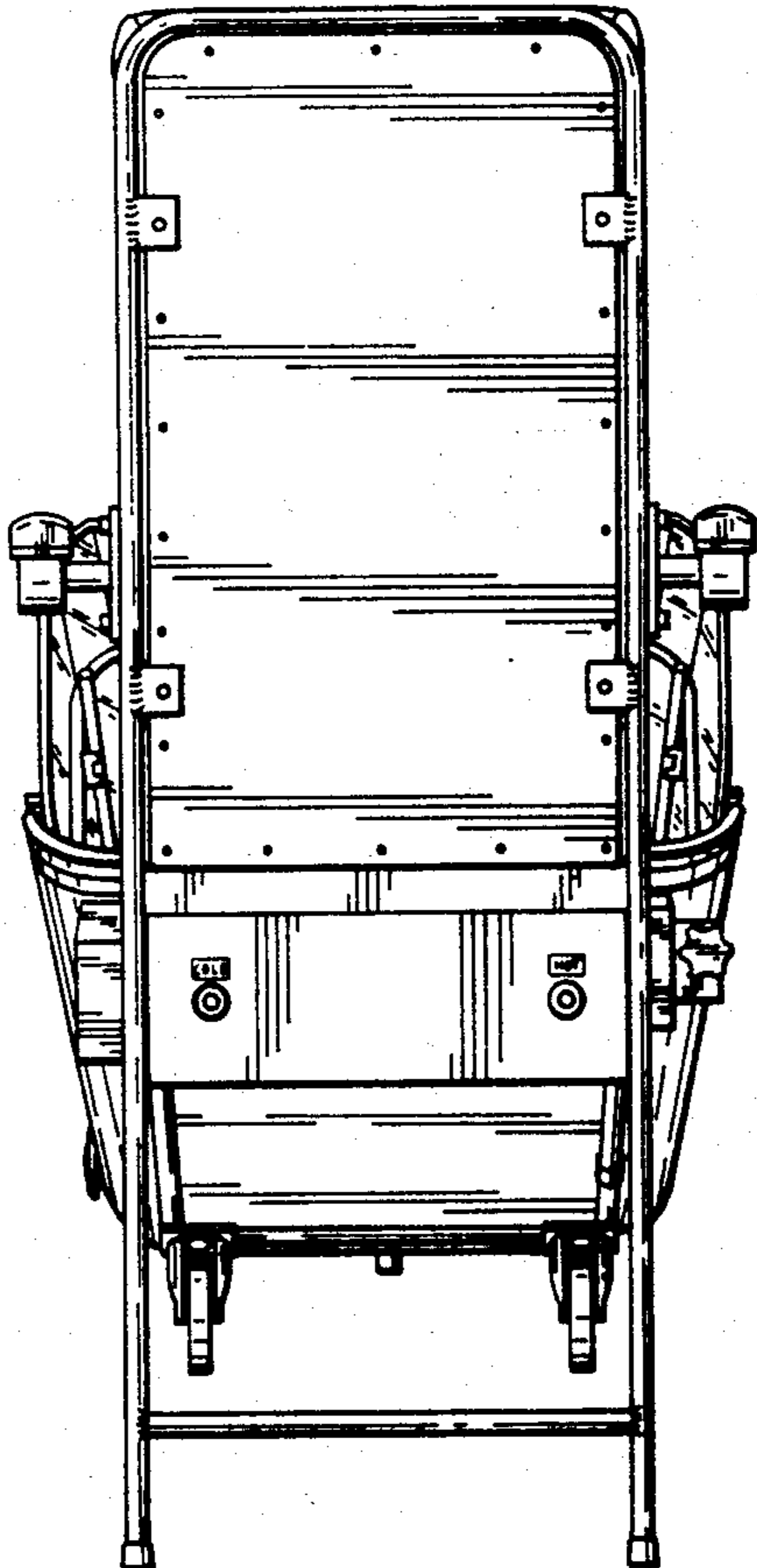


FIG. 5

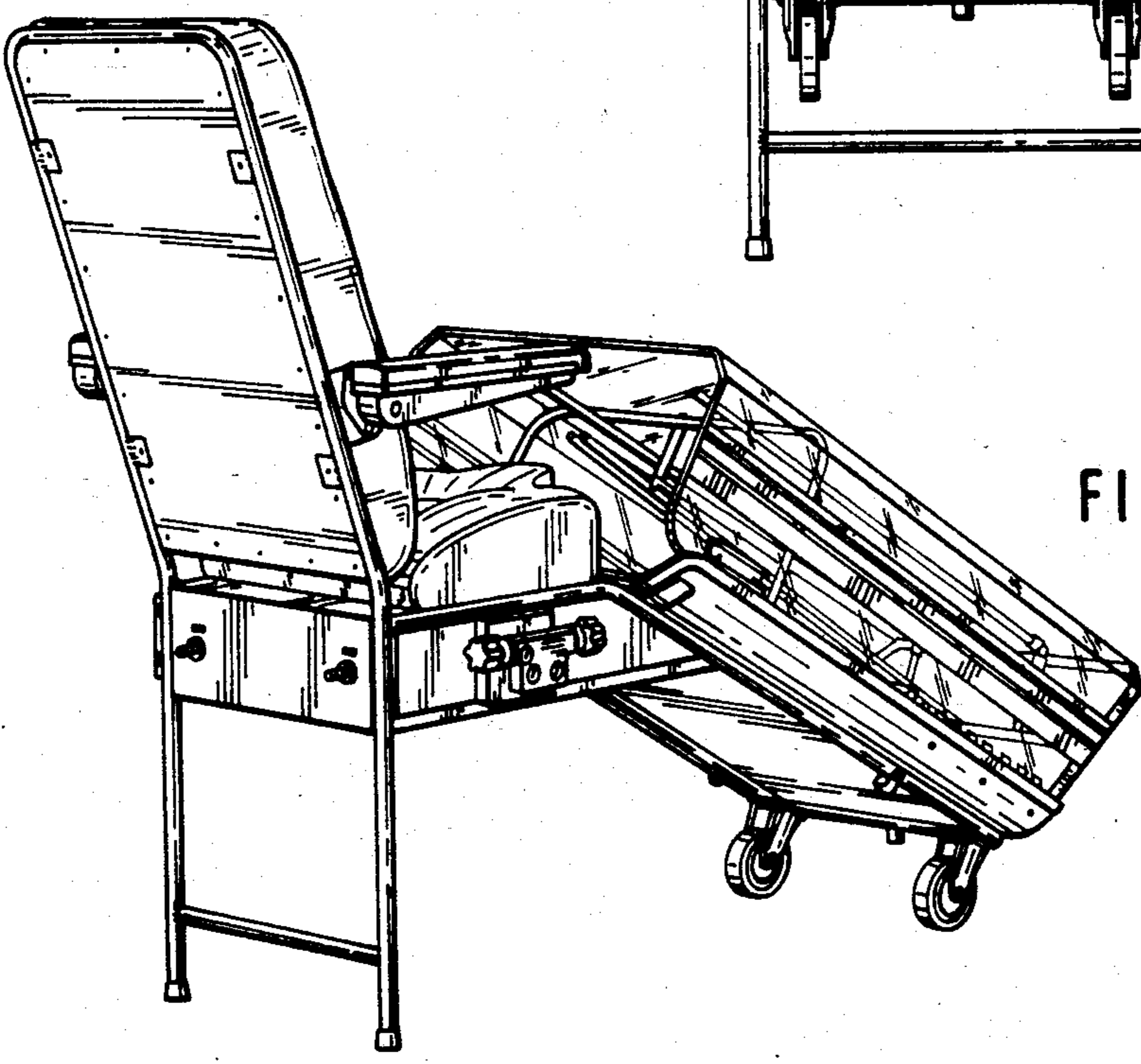


FIG. 6

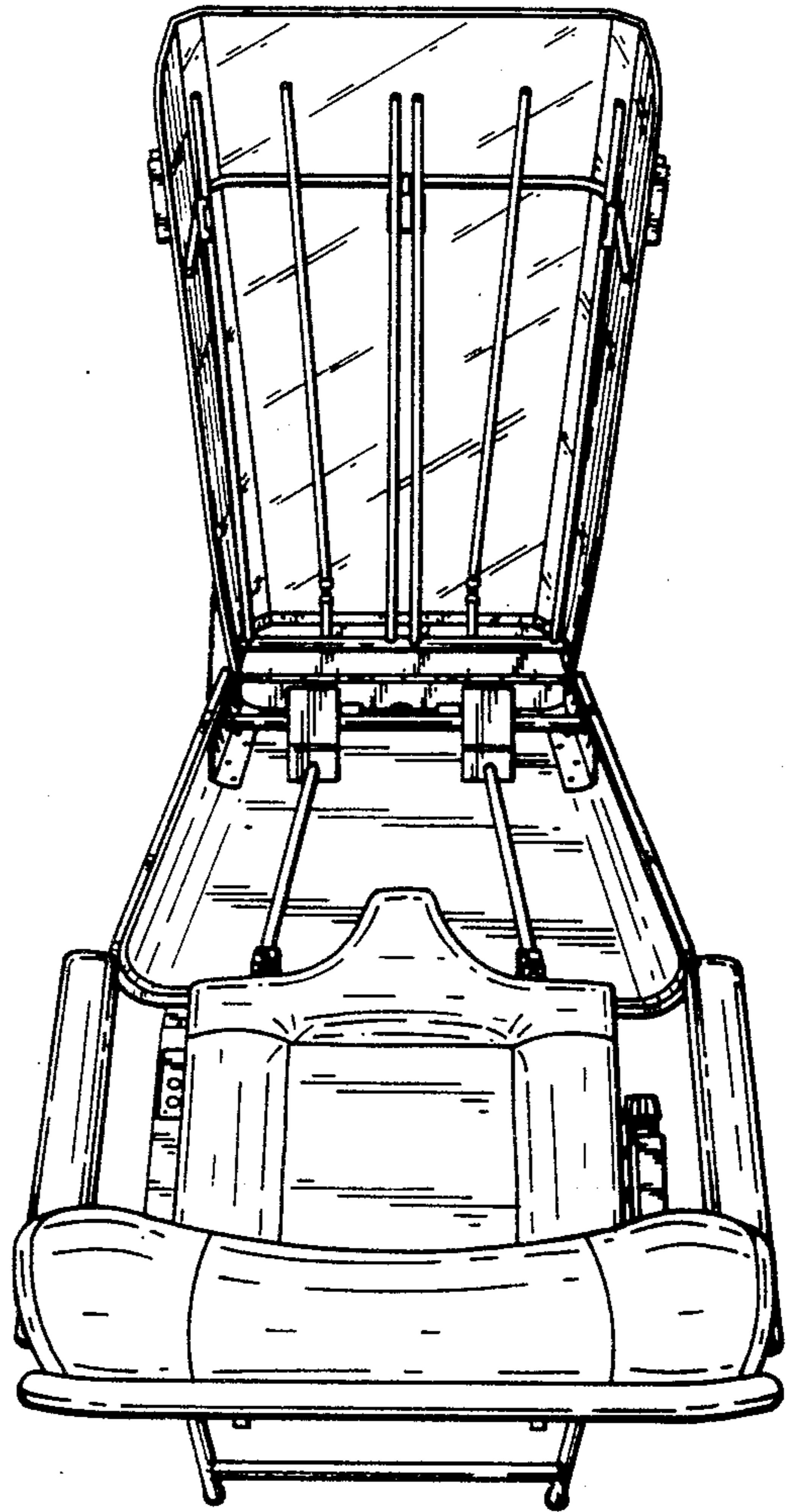


FIG. 7

