

[54] SYRINGE HOLDER

[76] Inventor: Eugene A. Fischione, 216 Red Oak Dr., Pittsburgh, Pa. 15239

[**] Term: 14 Years

[21] Appl. No.: 636,489

[22] Filed: Aug. 1, 1984

[52] U.S. Cl. D24/25

[58] Field of Search D24/25, 24, 14; 604/157, 155, 115, 181, 186, 209, 211, 224, 268, 414; 128/DIG. 1; D8/71

[56] References Cited

U.S. PATENT DOCUMENTS

D. 247,576 3/1978 Ekberg D24/25

2,491,978 12/1949 Helfman et al. 604/181
2,644,450 7/1953 Krewson 604/186 X
3,833,030 9/1974 Waldbauer, Jr. et al. 604/186 X

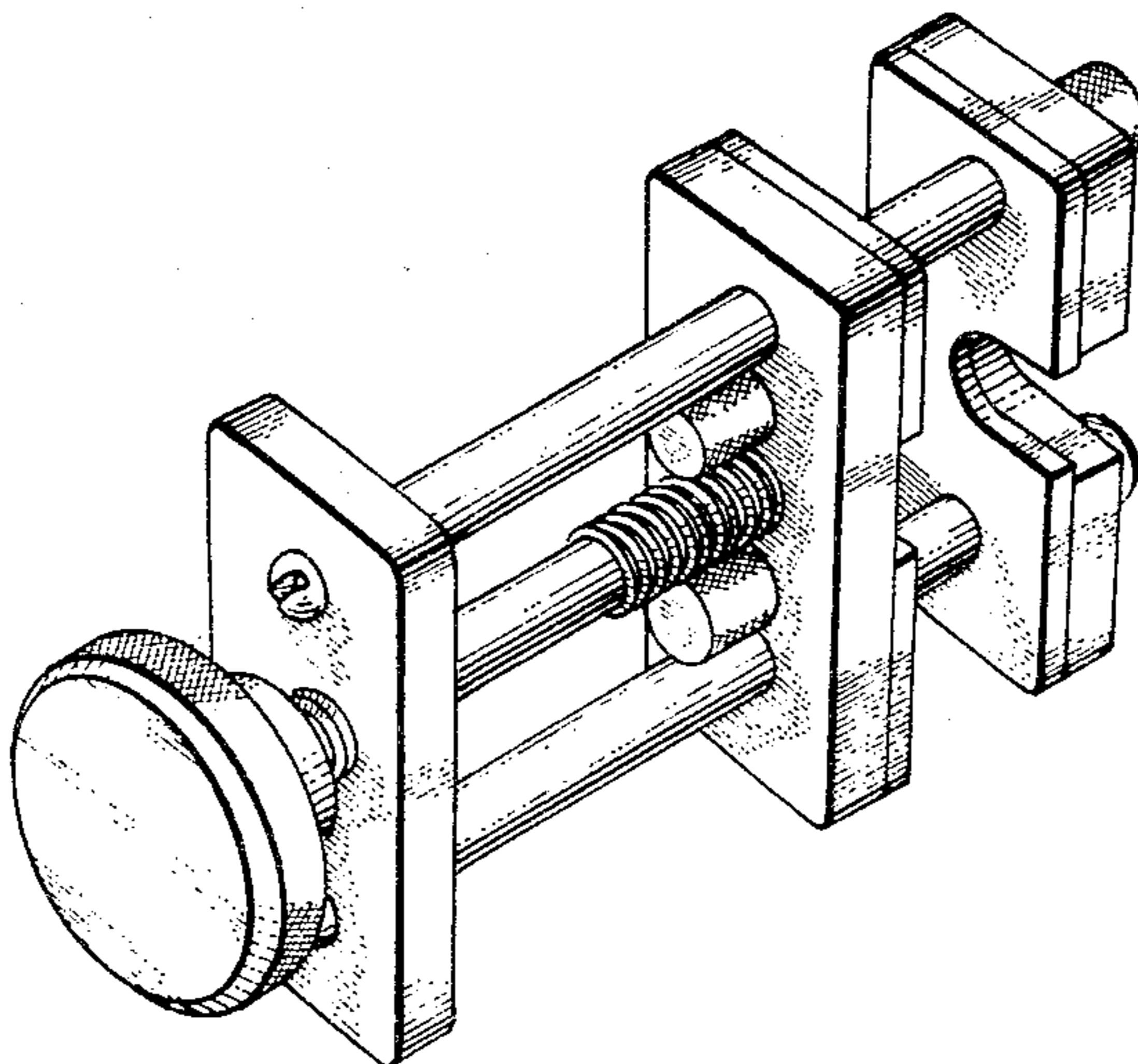
Primary Examiner—A. Hugo Word
Assistant Examiner—Stella M. Reid
Attorney, Agent, or Firm—Wegner & Bretschneider

[57] CLAIM

The ornamental design for a syringe holder, substantially as shown and described.

DESCRIPTION

FIG. 1 is a perspective view of a syringe holder embodying my new design;
FIG. 2 is a left side elevational view thereof;
FIG. 3 is a right side elevational view thereof;
FIG. 4 is a front elevational view thereof; and
FIG. 5 is a top plan view thereof.



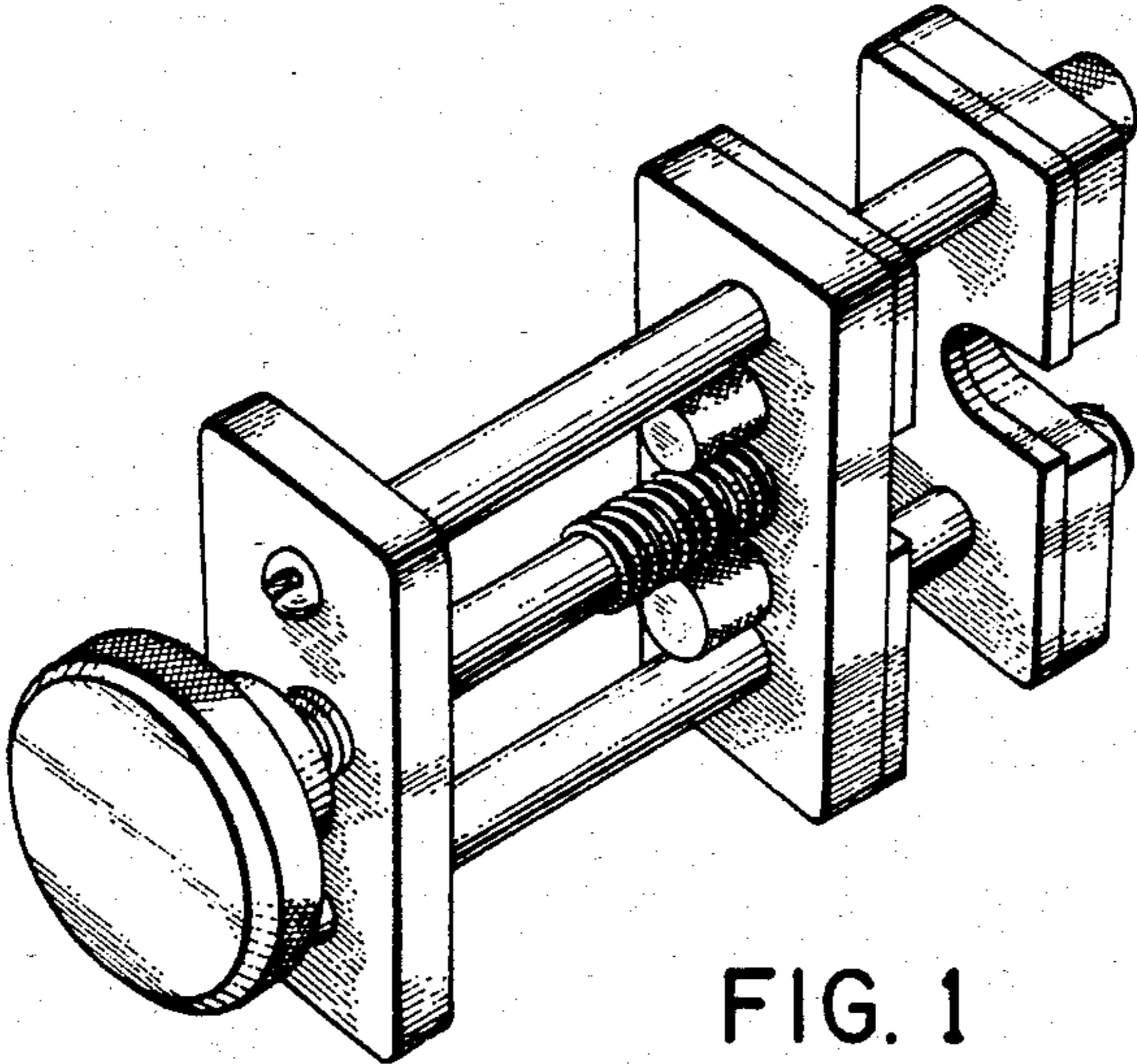


FIG. 1

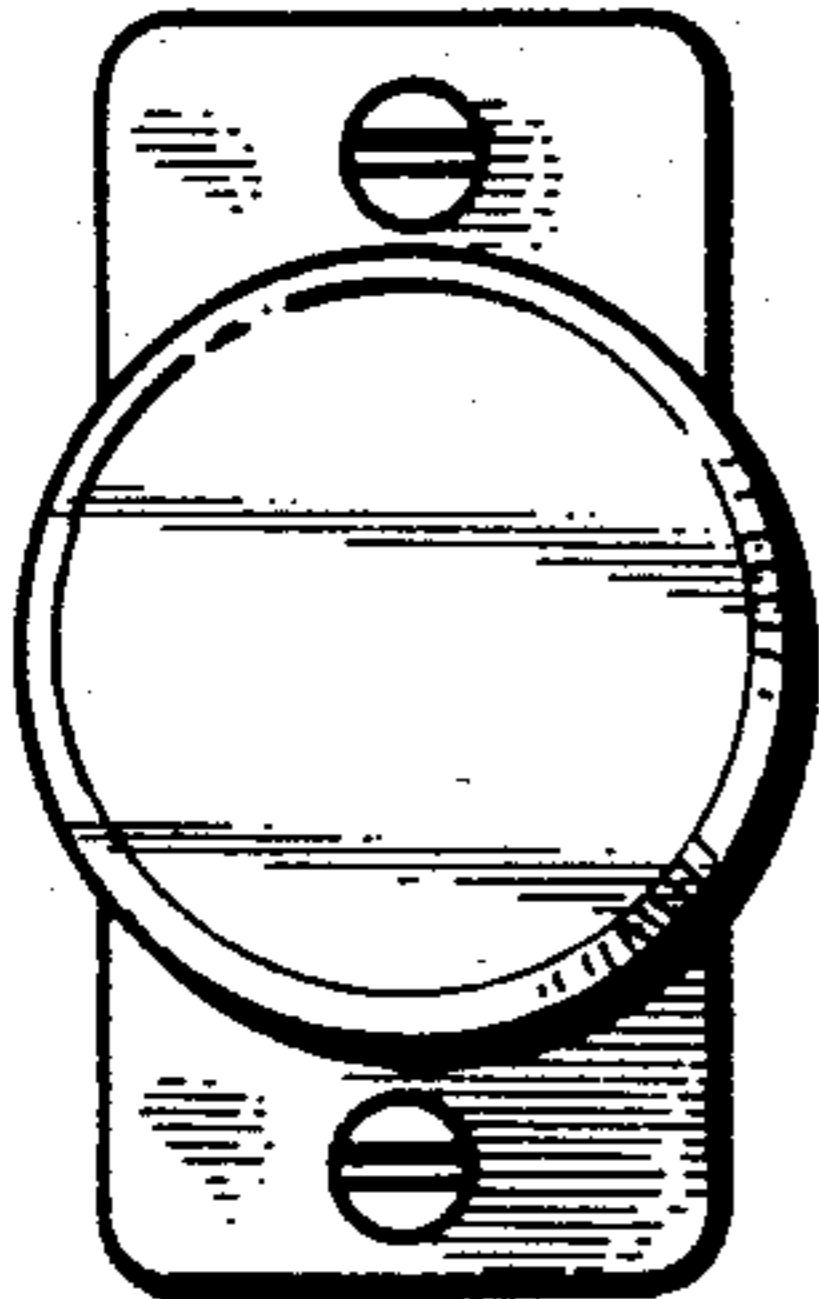


FIG. 2

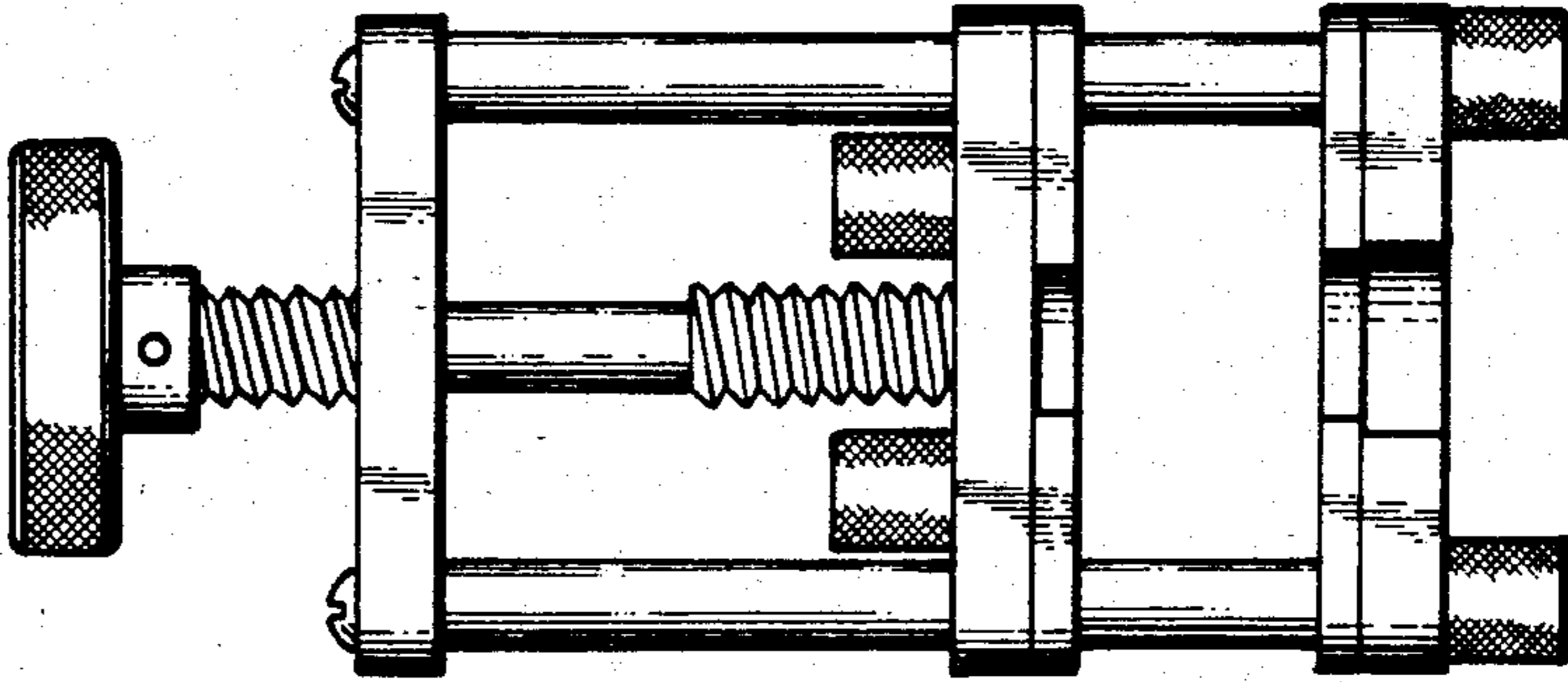


FIG. 4

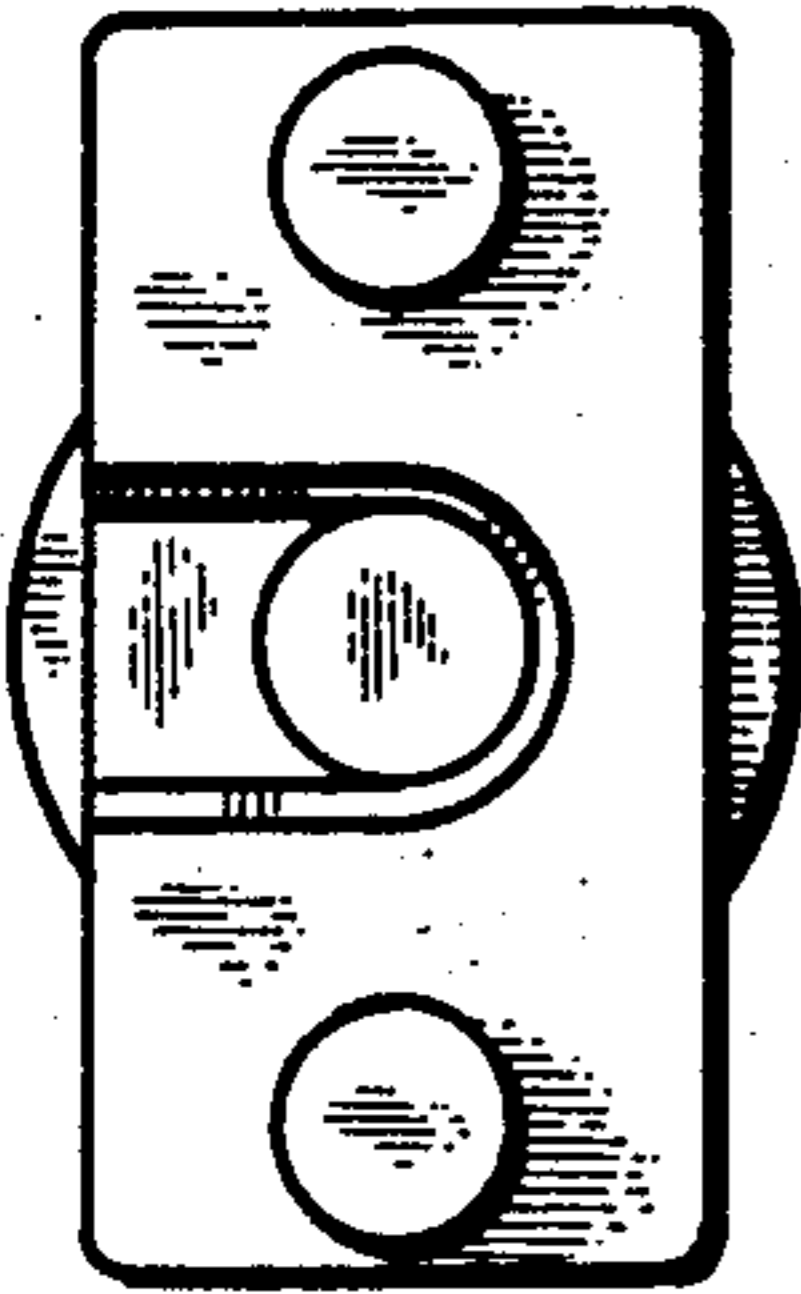


FIG. 3

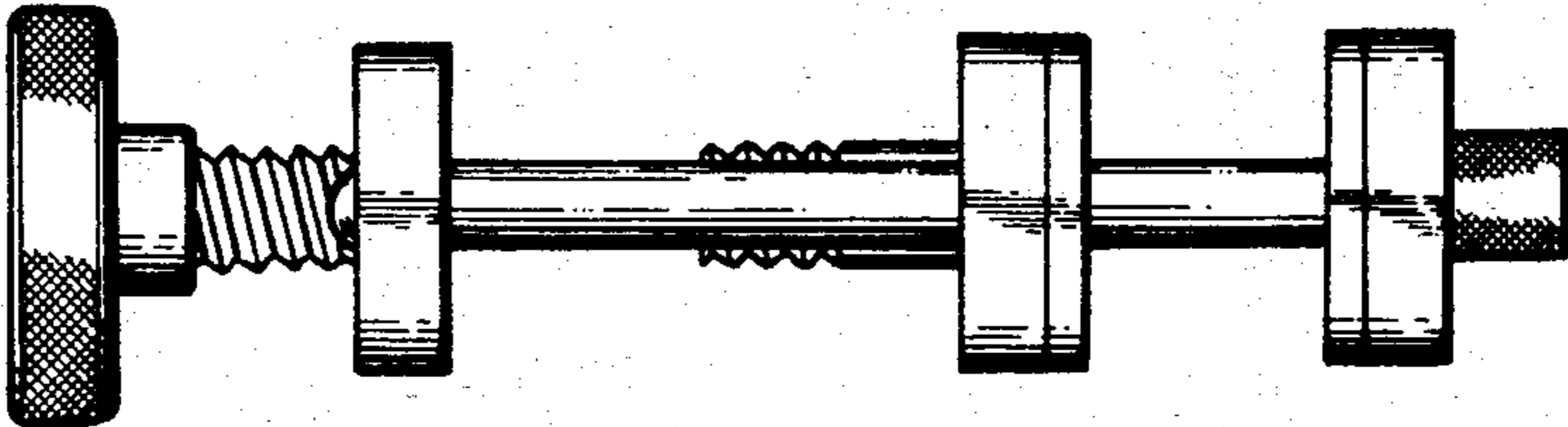


FIG. 5