

United States Patent [19]

Morrison et al.

[11] Patent Number: **Des. 289,434**

[45] Date of Patent: **** Apr. 21, 1987**

[54] **INJECTOR FOR INTRODUCING CONTRAST AGENTS INTO BLOOD VESSELS**

[75] Inventors: **David W. Morrison**, San Jose;
Wilfred J. Samson, Saratoga, both of Calif.

[73] Assignee: **Advanced Cardiovascular Systems, Inc.**, Mountain View, Calif.

[**] Term: **14 Years**

[21] Appl. No.: **670,406**

[22] Filed: **Nov. 8, 1984**

[52] U.S. Cl. **D24/24; D24/8**

[58] Field of Search **D24/24, 8, 54; 128/344, 128/343; 604/100, 97-99, 53, 121, 187, 211, 218, 224, 227, 236**

[56] **References Cited**

U.S. PATENT DOCUMENTS

D. 274,470 6/1984 Lundquist D24/8 X
2,475,939 7/1949 Applezweig 604/227 X

2,695,023 11/1954 Brown D24/24 X
4,332,254 6/1982 Lundquist 128/344
4,439,185 3/1984 Lundquist 604/97

Primary Examiner—A. Hugo Word
Assistant Examiner—Stella M. Reid
Attorney, Agent, or Firm—Flehr, Hohbach, Test, Albritton & Herbert

[57] CLAIM

The ornamental design for an injector for introducing contrast agents into blood vessels, as shown.

DESCRIPTION

FIG. 1 is a perspective view of an injector for introducing contrast agents into blood vessels showing our new design;

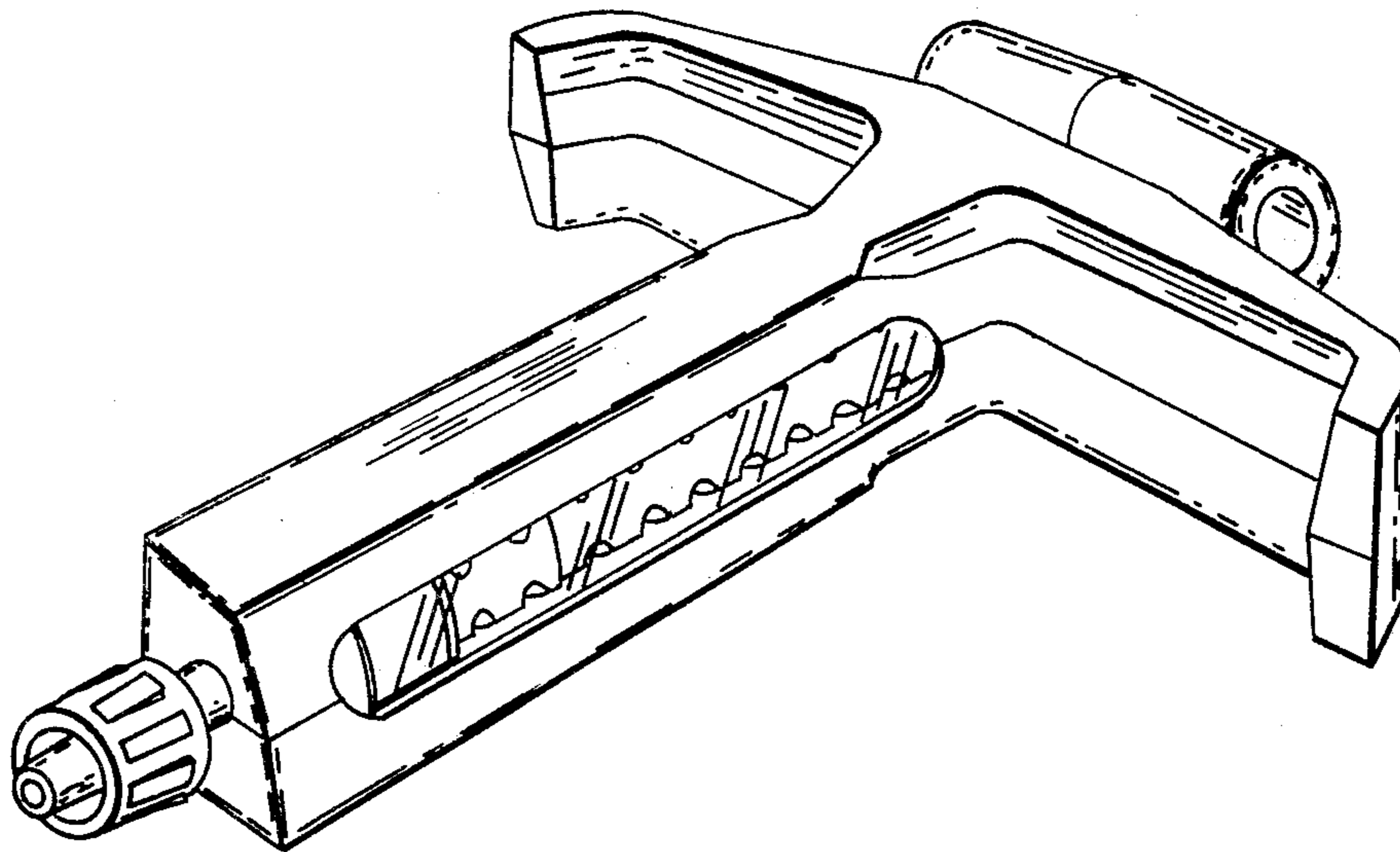
FIG. 2 is a top plan view thereof;

FIG. 3 is a side elevational view thereof;

FIG. 4 is a side elevational view thereof opposite that shown in FIG. 3;

FIG. 5 is a rear end elevational view thereof; and

FIG. 6 is a front end elevational view thereof.



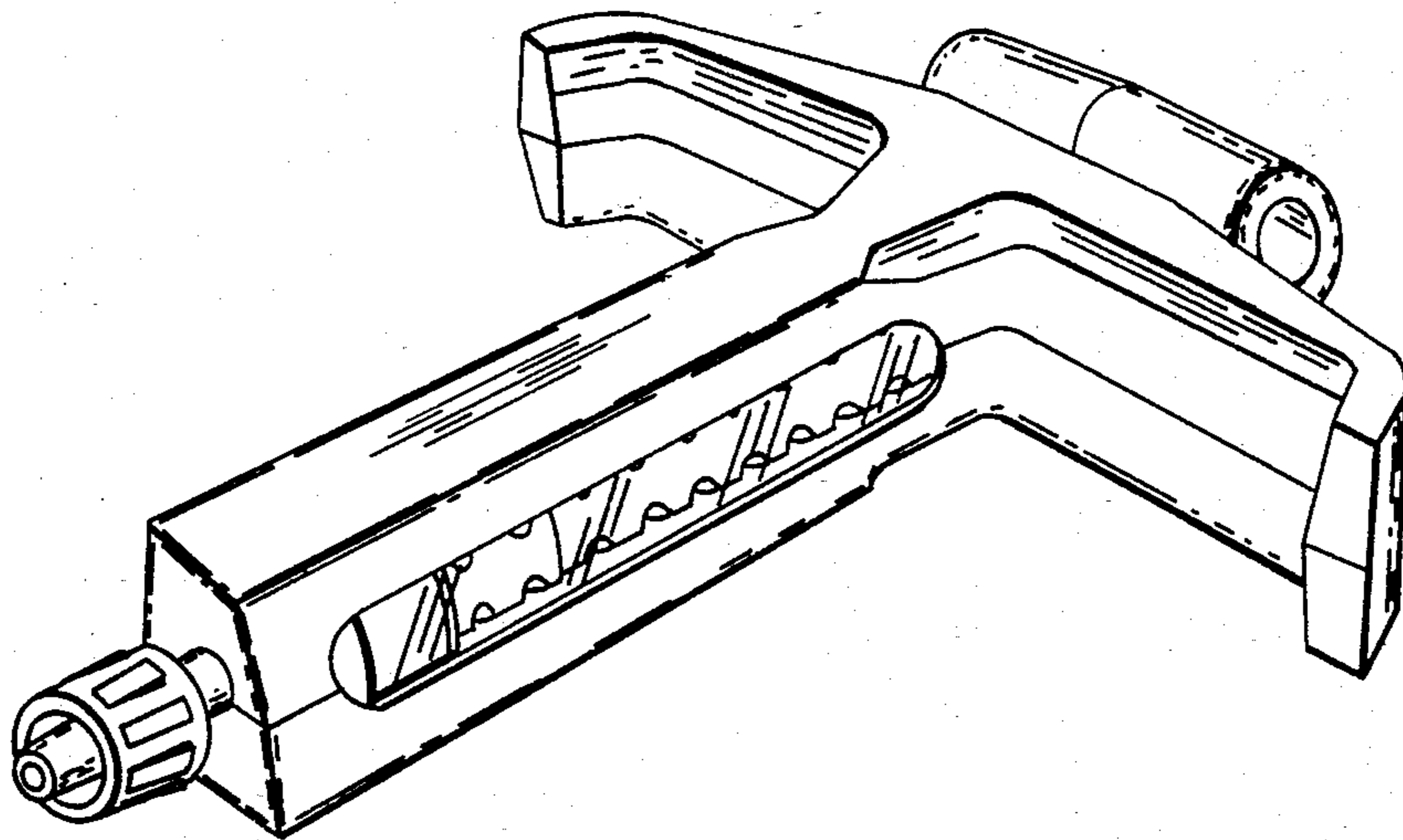


FIG.—1

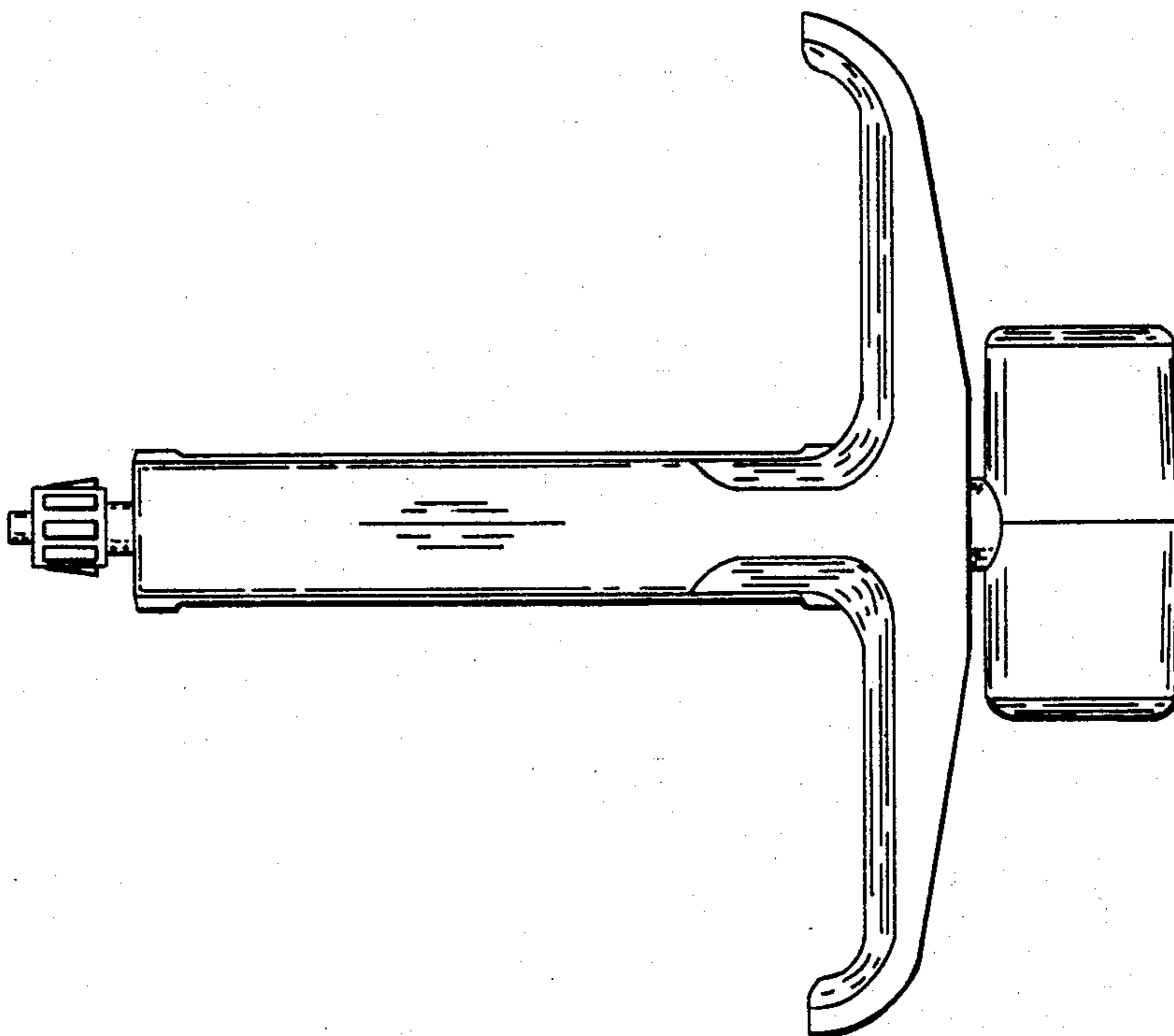


FIG.—2

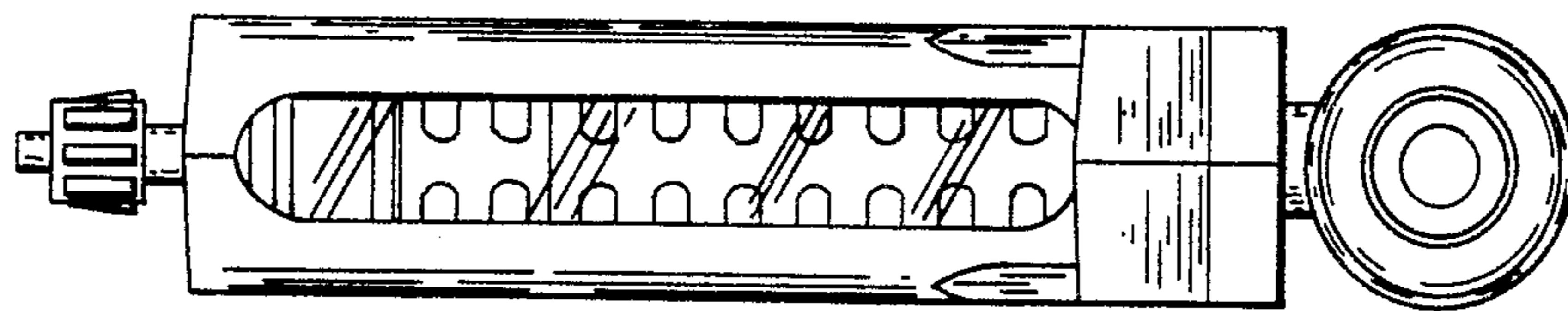


FIG.—3

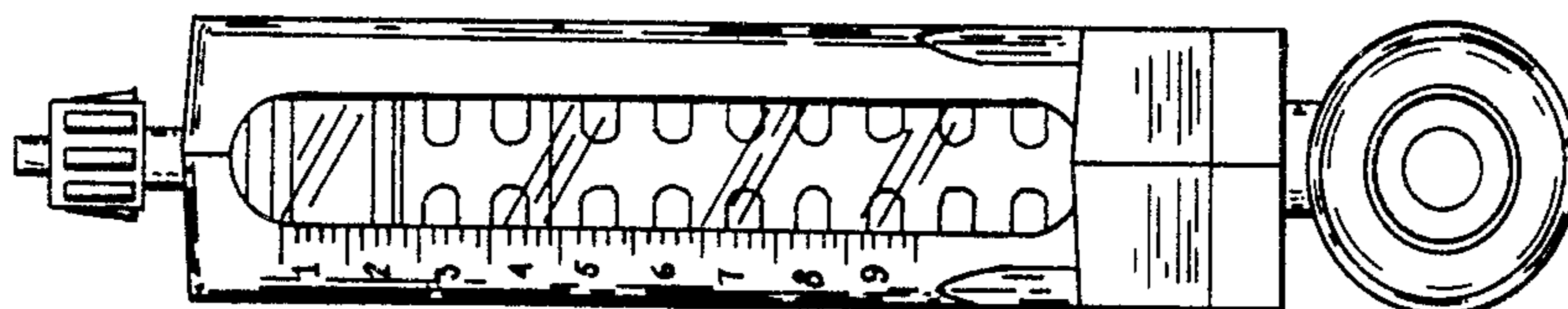


FIG.—4

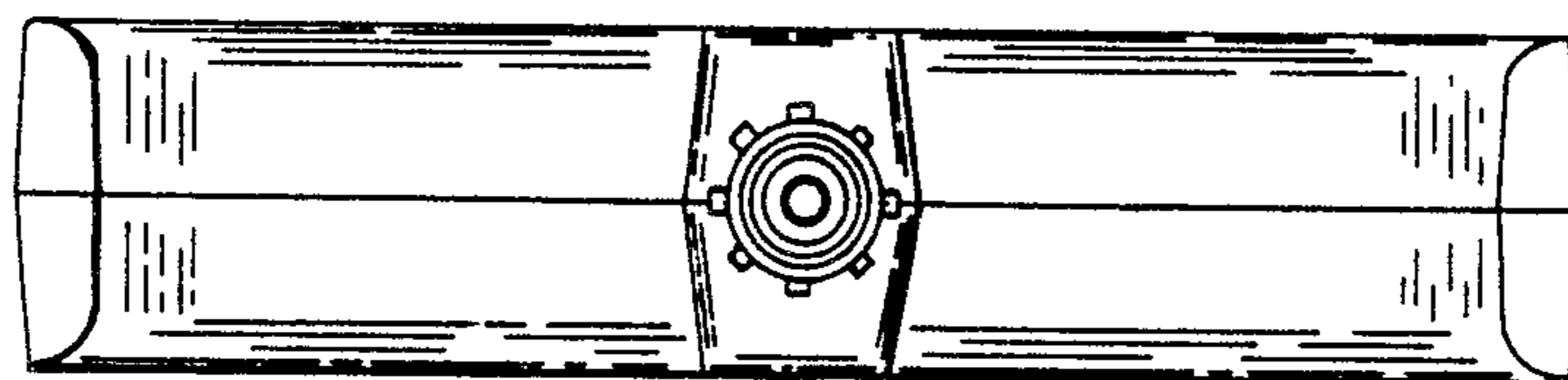


FIG.—5

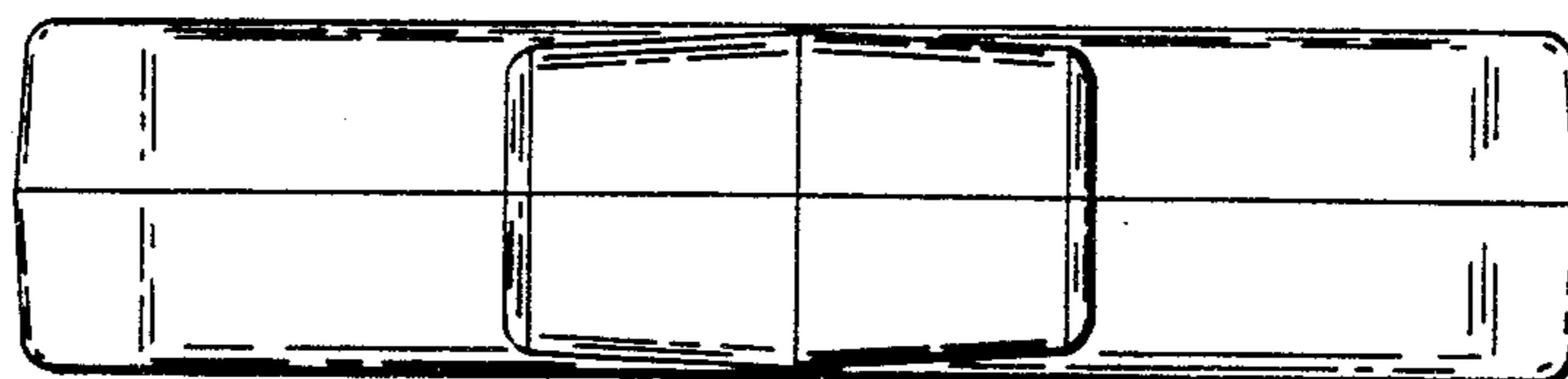


FIG.—6