

[54] **TIMED CONTROL VALVE FOR SPRINKLER SYSTEM**

[75] Inventors: **Franco Clivio**, Zürich, Switzerland;
Dieter Raffler, Neu-Ulm, Fed. Rep. of Germany

[73] Assignee: **Gardena Kress & Kastner GmbH**, Fed. Rep. of Germany

[**] Term: **14 Years**

[21] Appl. No.: **657,412**

[22] Filed: **Oct. 3, 1984**

[30] **Foreign Application Priority Data**

Apr. 4, 1984 [DE] Fed. Rep. of Germany GRAIII747/8403

[52] U.S. Cl. **D23/38**

[58] Field of Search D23/19-22, D23/37-39; 137/624.2; 239/69, 70

[56] **References Cited**

U.S. PATENT DOCUMENTS

- D. 208,451 8/1967 Anesi D23/28
- D. 212,154 9/1968 Benjamin D23/38

- D. 235,145 5/1975 Fernandez D23/38
- D. 247,717 4/1978 Sturman D23/38
- D. 253,843 1/1980 Fernandez D23/38
- D. 269,697 7/1983 Graham et al. D23/38
- 3,482,604 12/1969 Fleckenstein et al. 137/624.2
- 3,735,779 5/1973 Hunter 239/70 X
- 3,865,138 2/1975 Jones 239/70 X
- 3,921,667 11/1975 Corliss et al. 239/70 X
- 4,180,099 12/1979 Moore 239/70 X
- 4,526,198 7/1985 Scott 137/624.2

Primary Examiner—James R. Largen
Attorney, Agent, or Firm—Steele, Gould & Fried

[57] **CLAIM**

The ornamental design for a timed control valve for sprinkler system, as shown and described.

DESCRIPTION

FIG. 1 is a perspective view taken from the top, front and left side of a timed control valve for a sprinkler system showing our new design;
 FIG. 2 is a top plan view thereof;
 FIG. 3 is a right side elevational view thereof;
 FIG. 4 is a bottom plan view thereof;
 FIG. 5 is a front elevational view thereof; and
 FIG. 6 is a rear elevational view thereof.

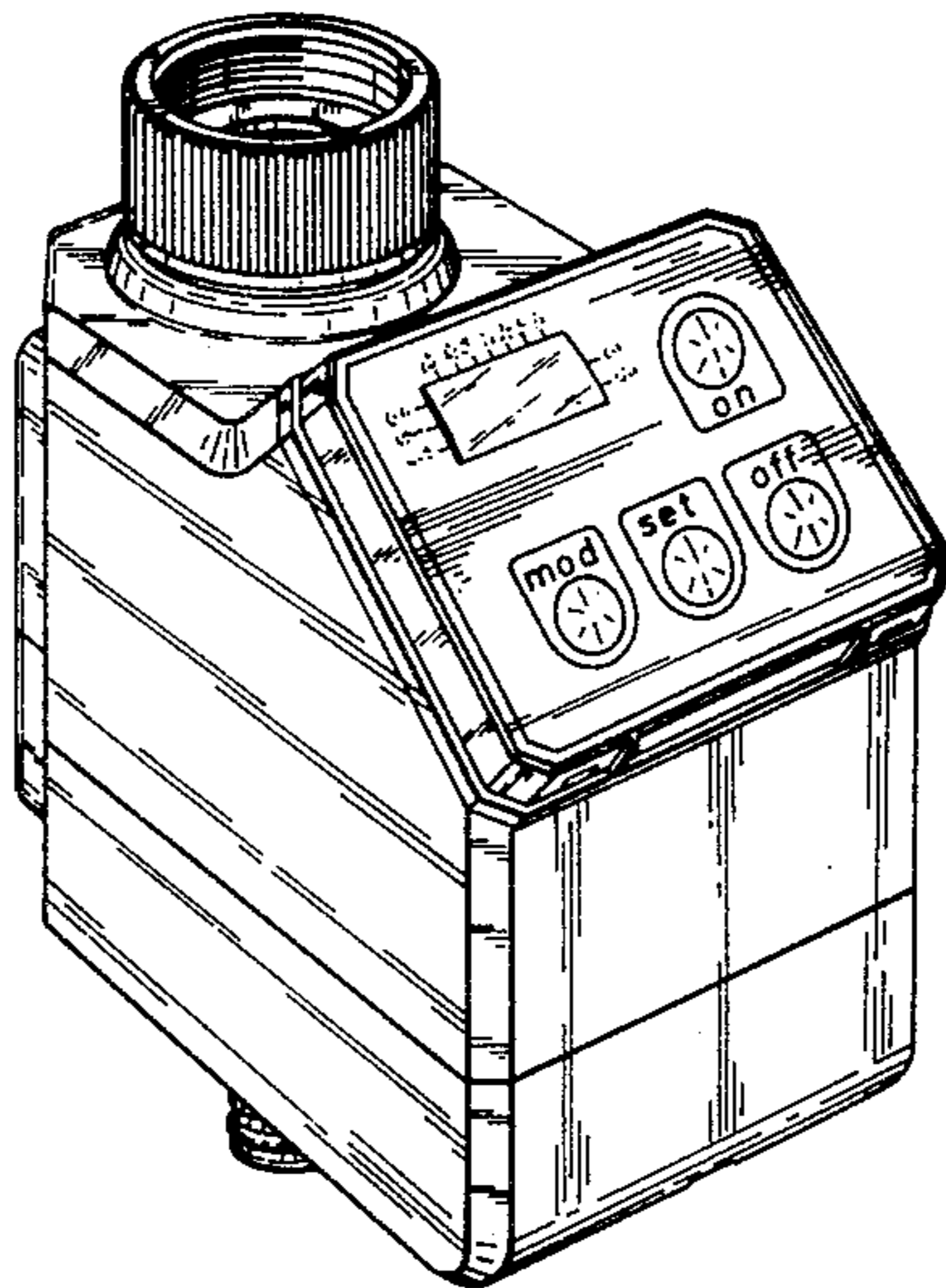
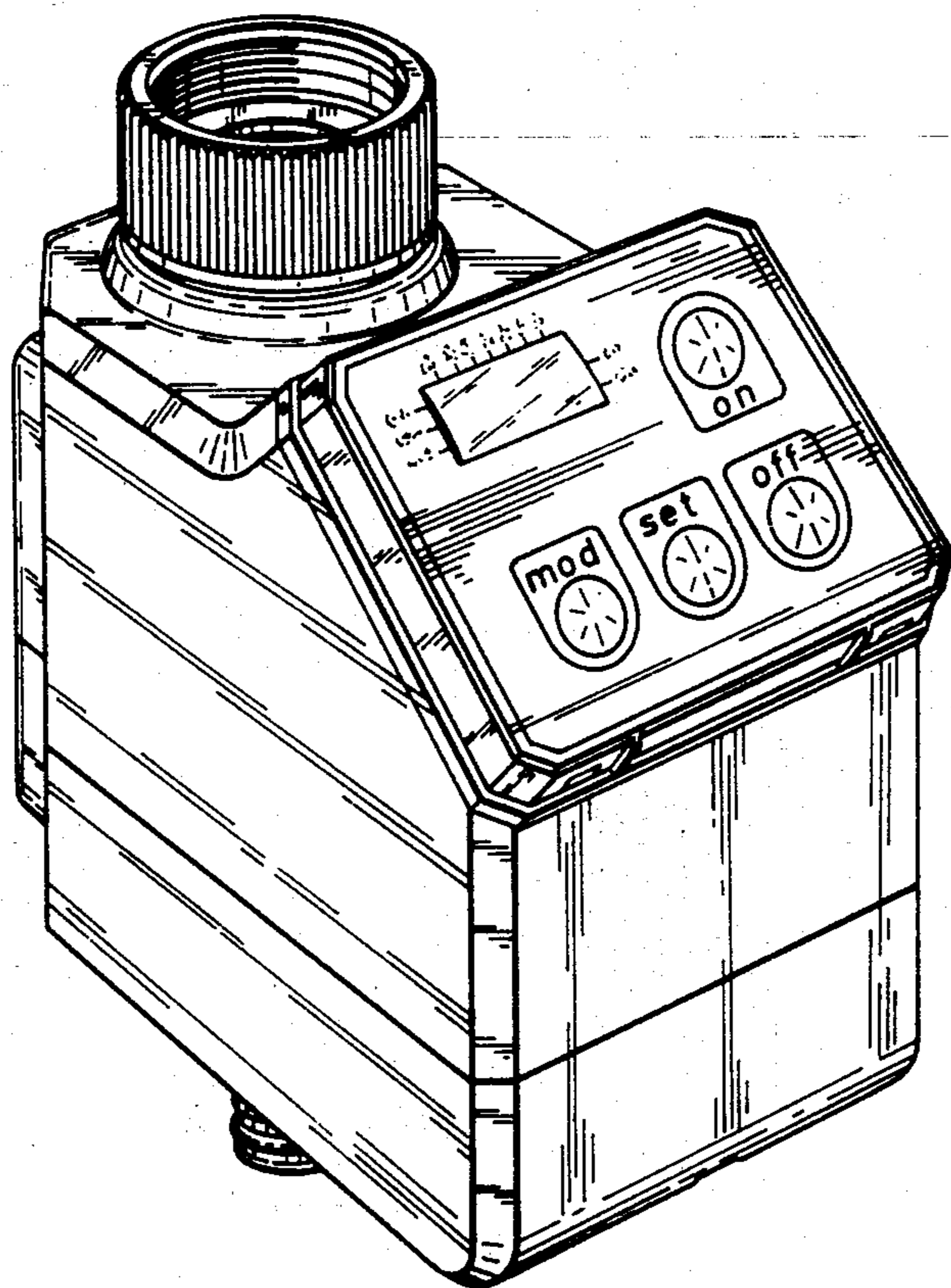


FIG. 1



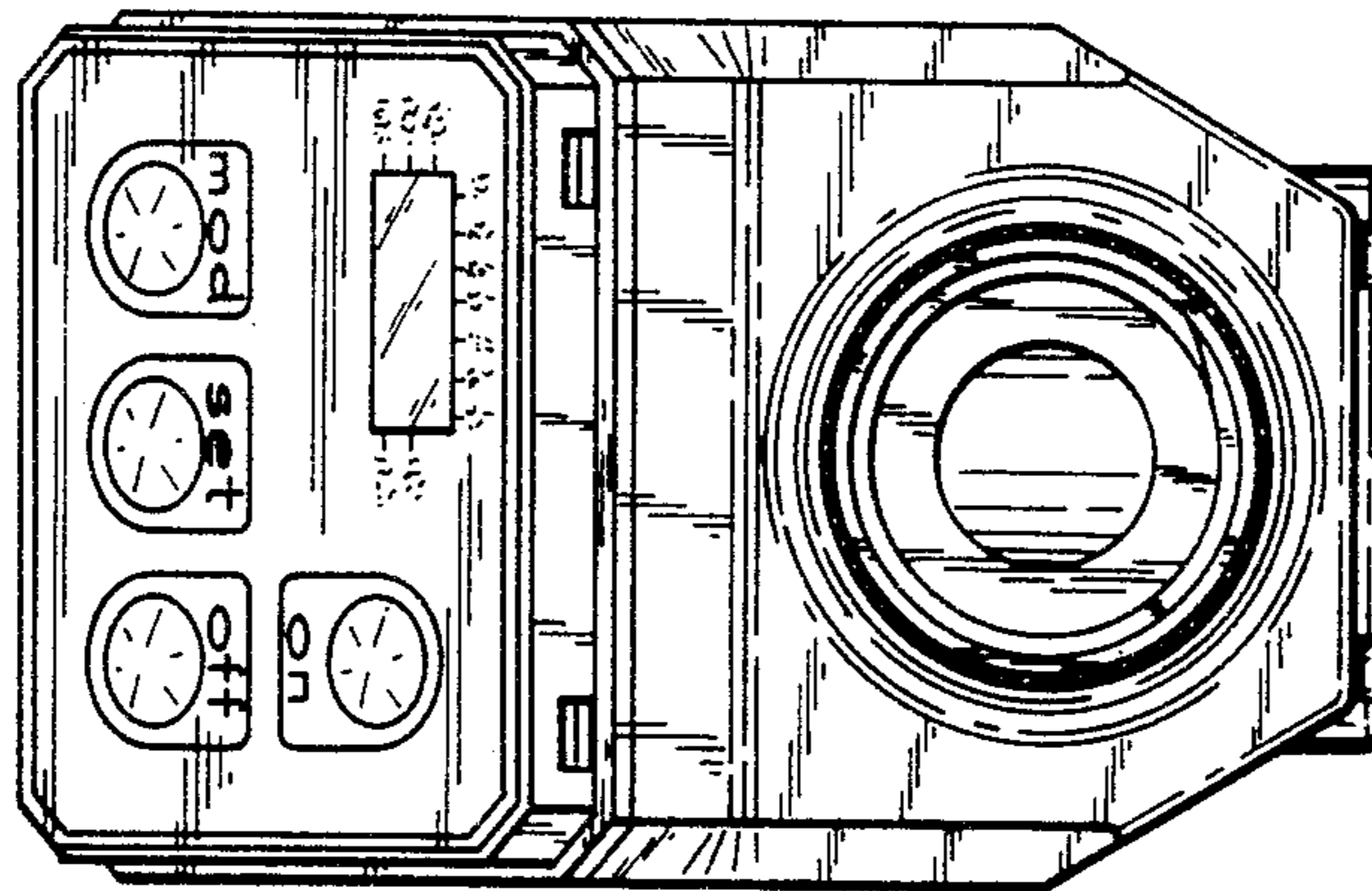


FIG. 2

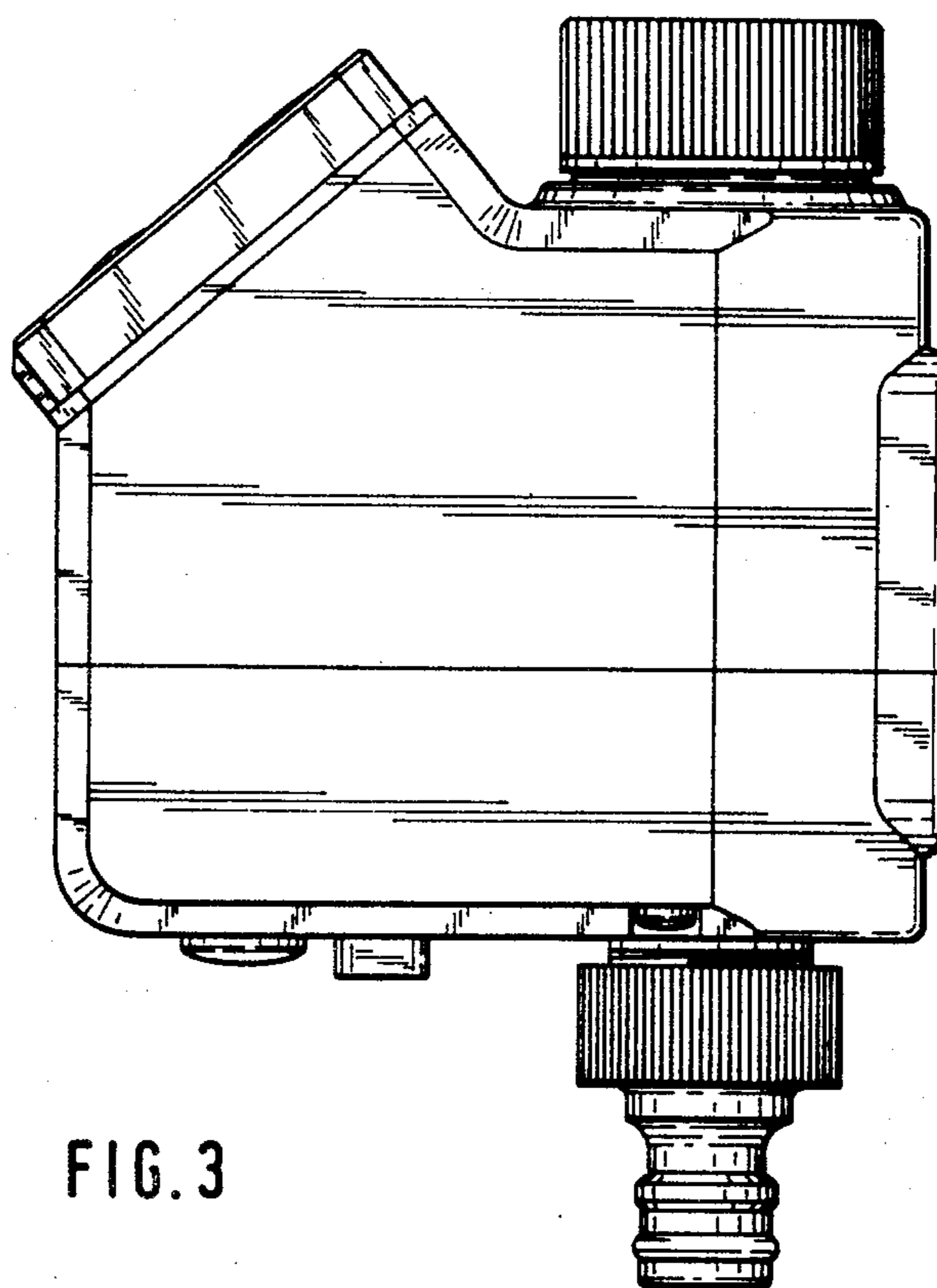


FIG. 3

FIG. 4

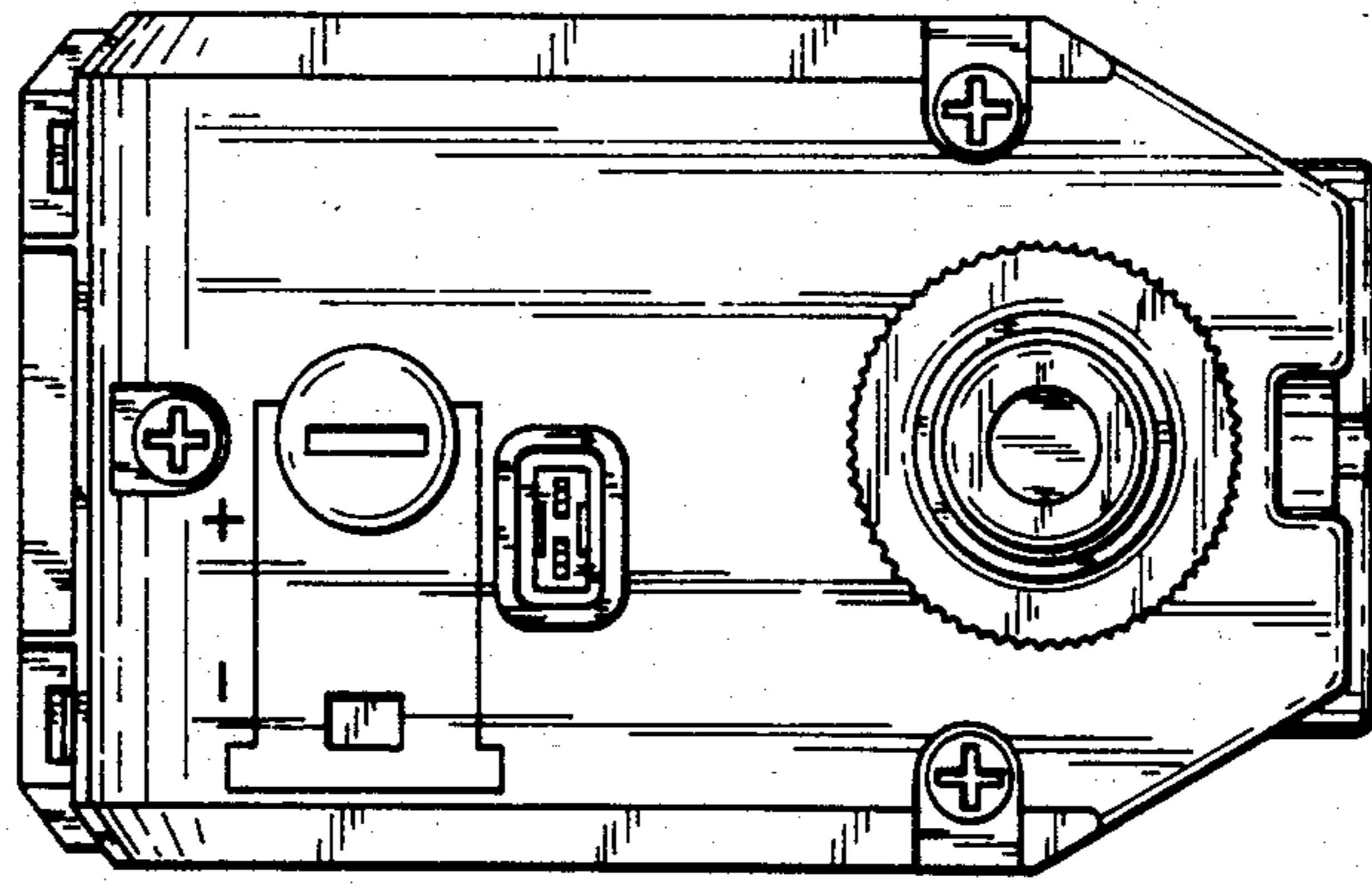


FIG. 5

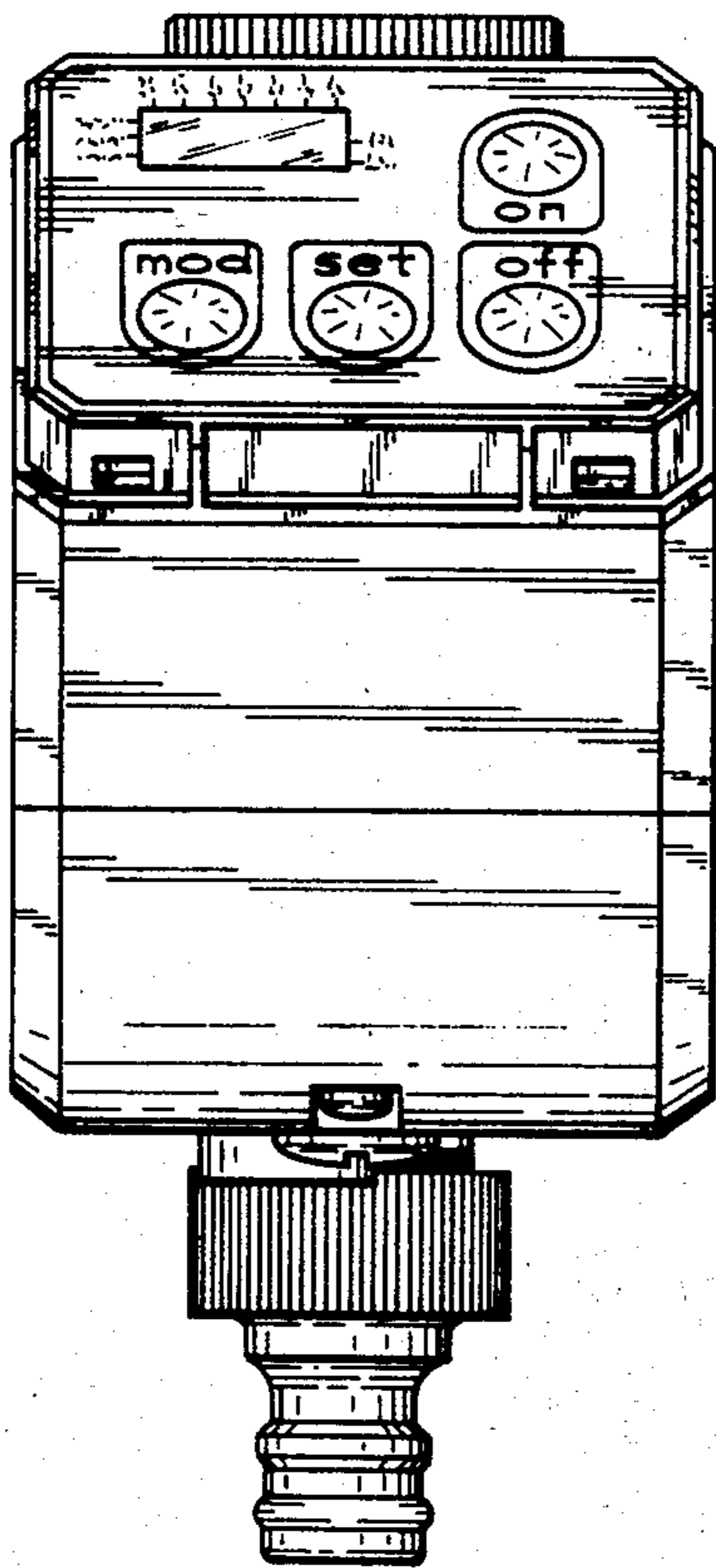


FIG. 6

