

[54] MOTOR DRIVEN EXPANSION VALVE

4,556,193 12/1985 Yoshiga 251/129.11

[75] Inventor: Kenji Yoshiga, Funabashi, Japan

[73] Assignee: Fuji Koki Manufacturing Co., Ltd., Japan

[**] Term: 14 Years

[21] Appl. No.: 623,513

[22] Filed: Jun. 22, 1984

[52] U.S. Cl. D23/19

[58] Field of Search D23/19-22, D23/38, 39; 251/86, 129.11, 248, 264, 273

[56] References Cited

U.S. PATENT DOCUMENTS

- D. 232,085 7/1974 Benzing D23/19 V
- D. 266,863 11/1982 Mason D23/19
- D. 270,752 9/1983 Gorans D23/19
- 4,484,725 11/1984 Yoshiga 251/11

OTHER PUBLICATIONS

Japanese Magazine "Nikko Forum", Sep. 10, 1985, p. 41.

Primary Examiner—James R. Largen
Attorney, Agent, or Firm—Bacon & Thomas

[57] CLAIM

The ornamental design for a motor driven expansion valve, substantially as shown and described.

DESCRIPTION

FIG. 1 is a front and top perspective view of a motor driven expansion valve showing my new design; FIG. 2 is a front elevational view thereof, the rear being a mirror image of the front shown; FIG. 3 is a right side elevational view thereof; FIG. 4 is a left side elevational view thereof; FIG. 5 is a top plan view thereof; and FIG. 6 is a bottom plan view thereof.

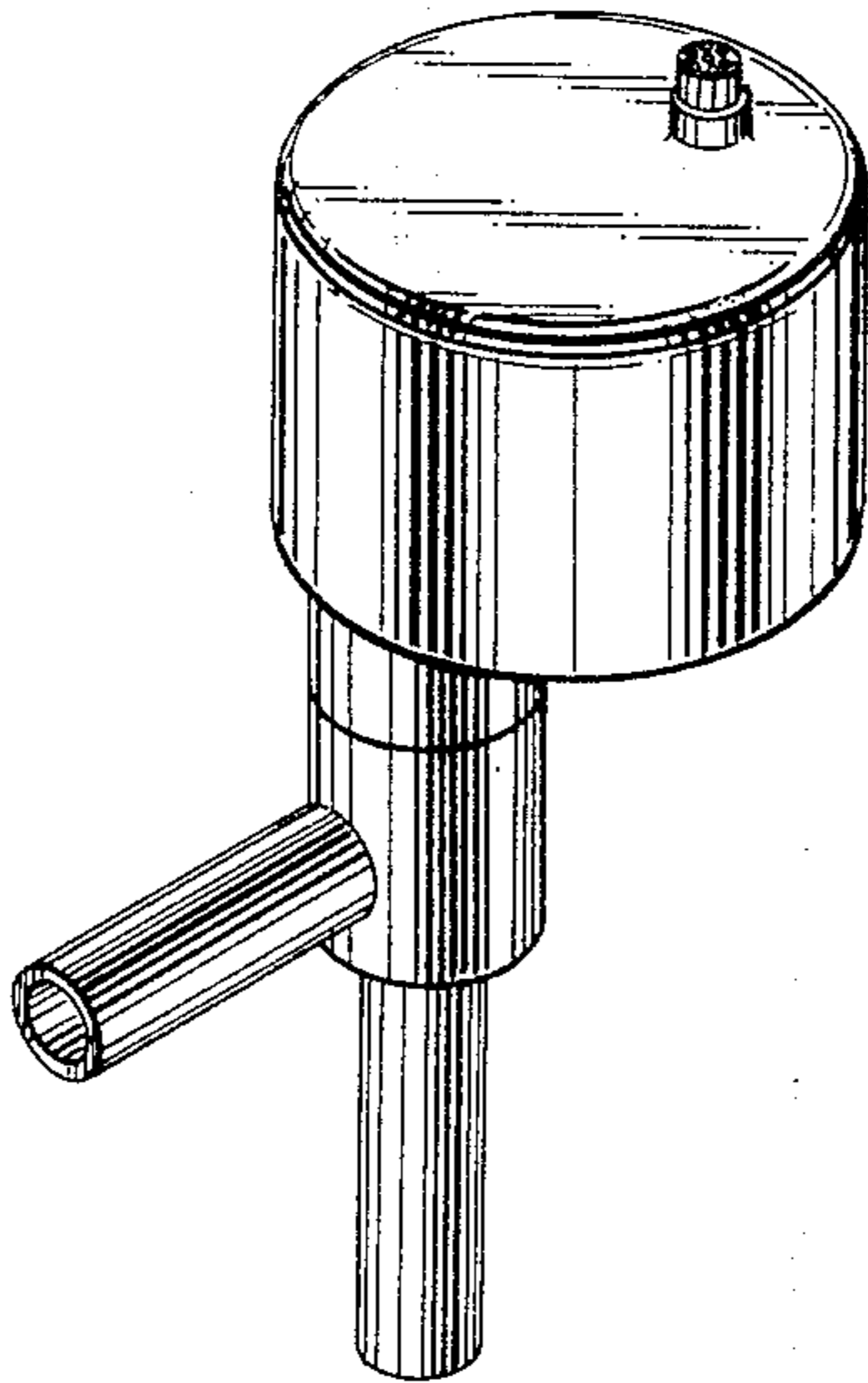


FIG. 1

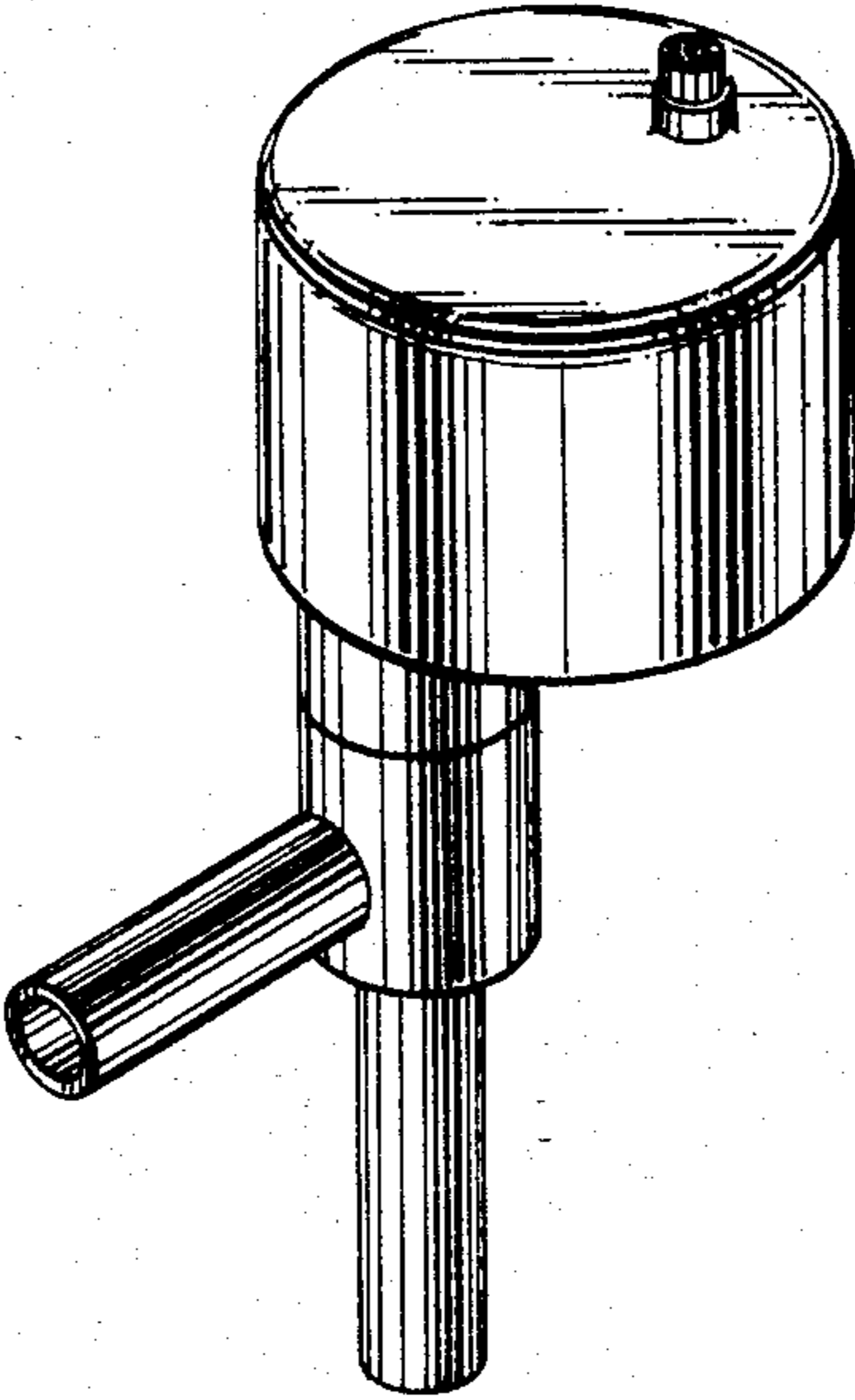


FIG. 2

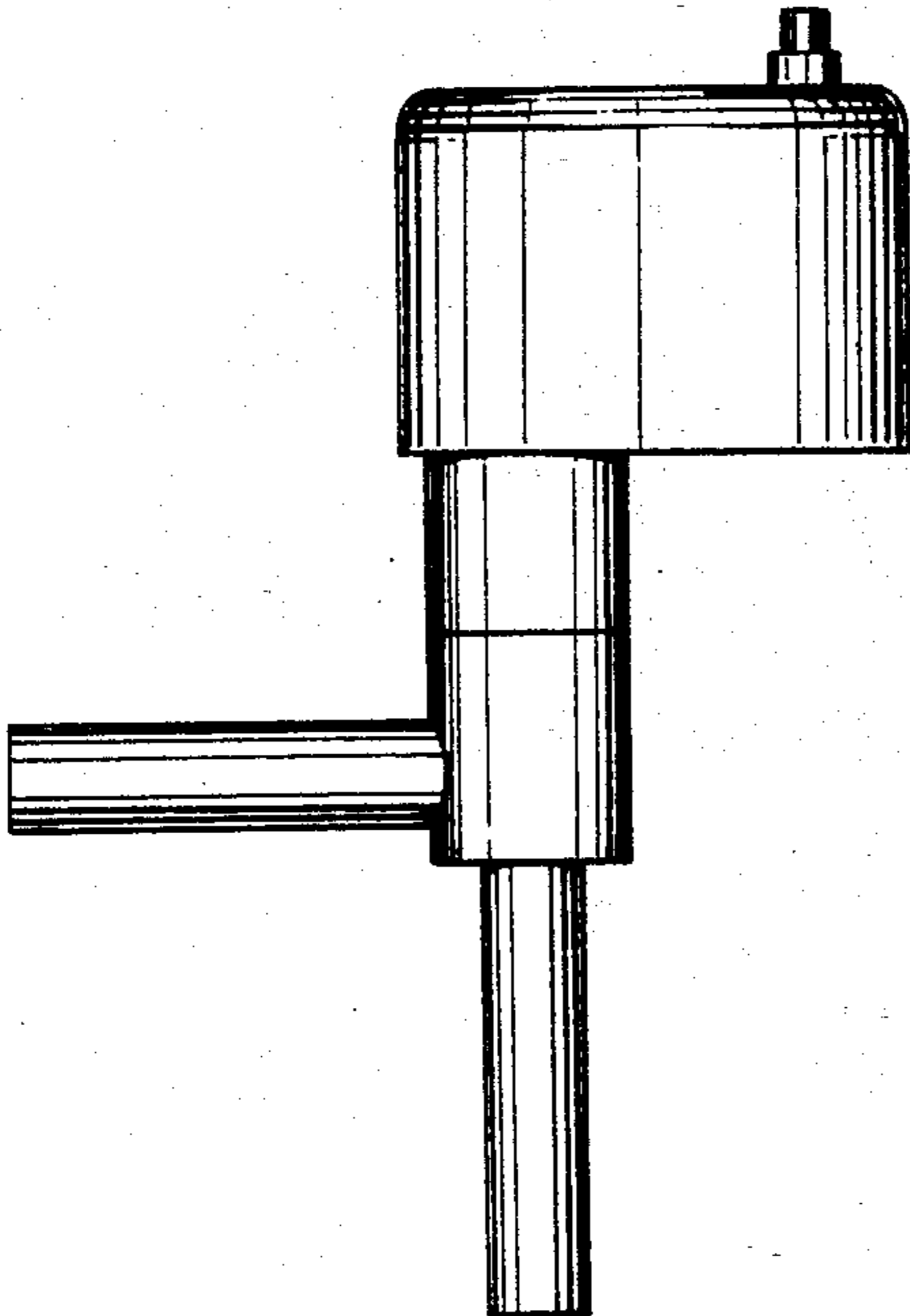


FIG. 3

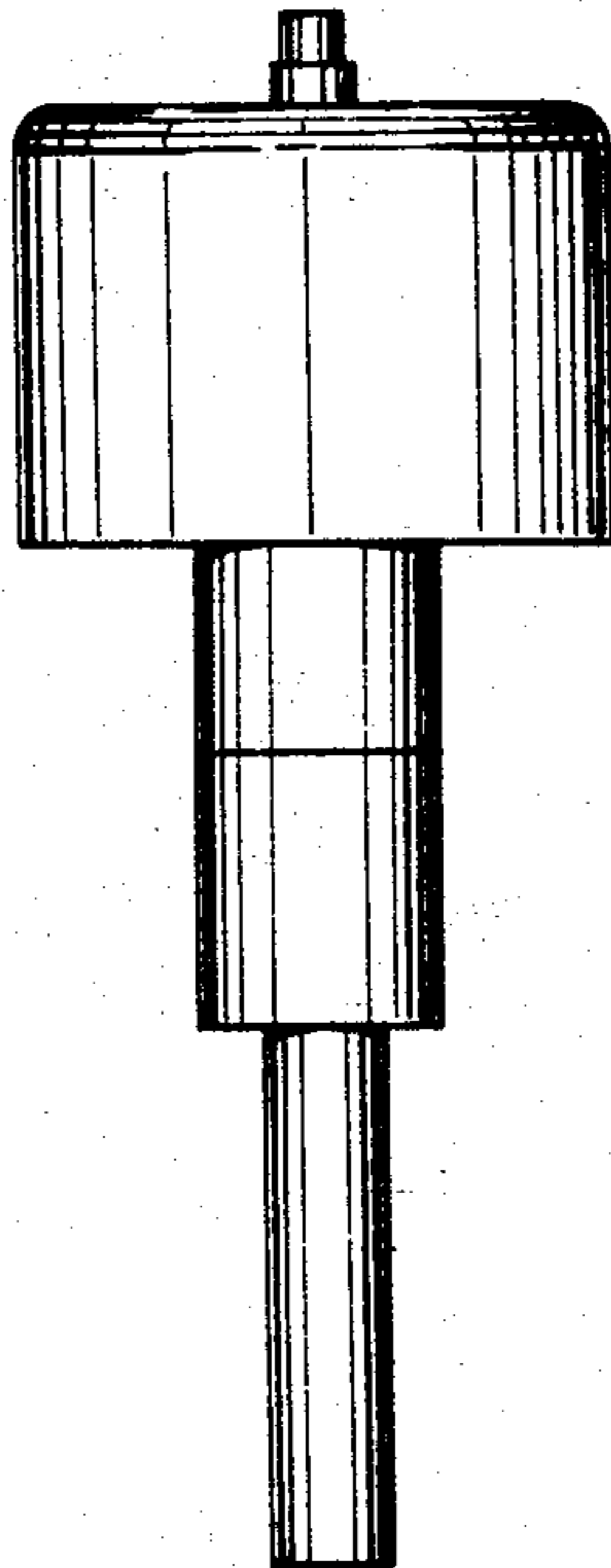


FIG. 4

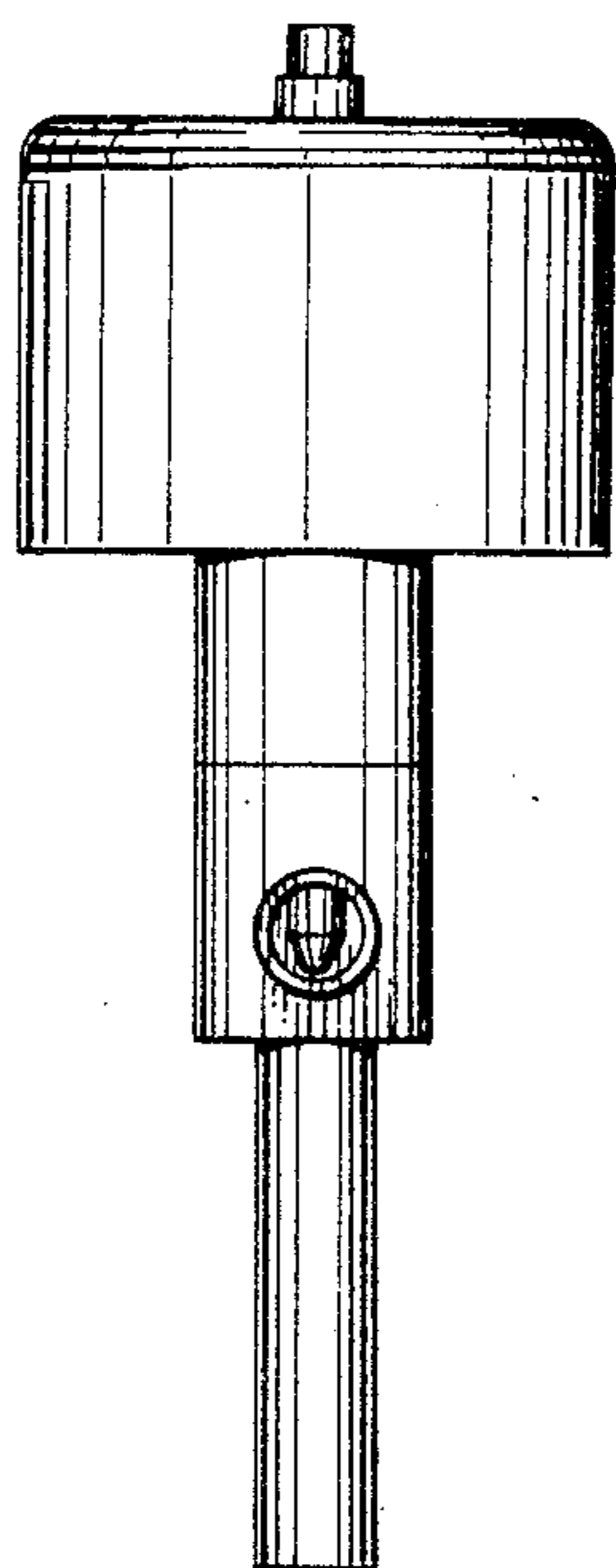


FIG. 5

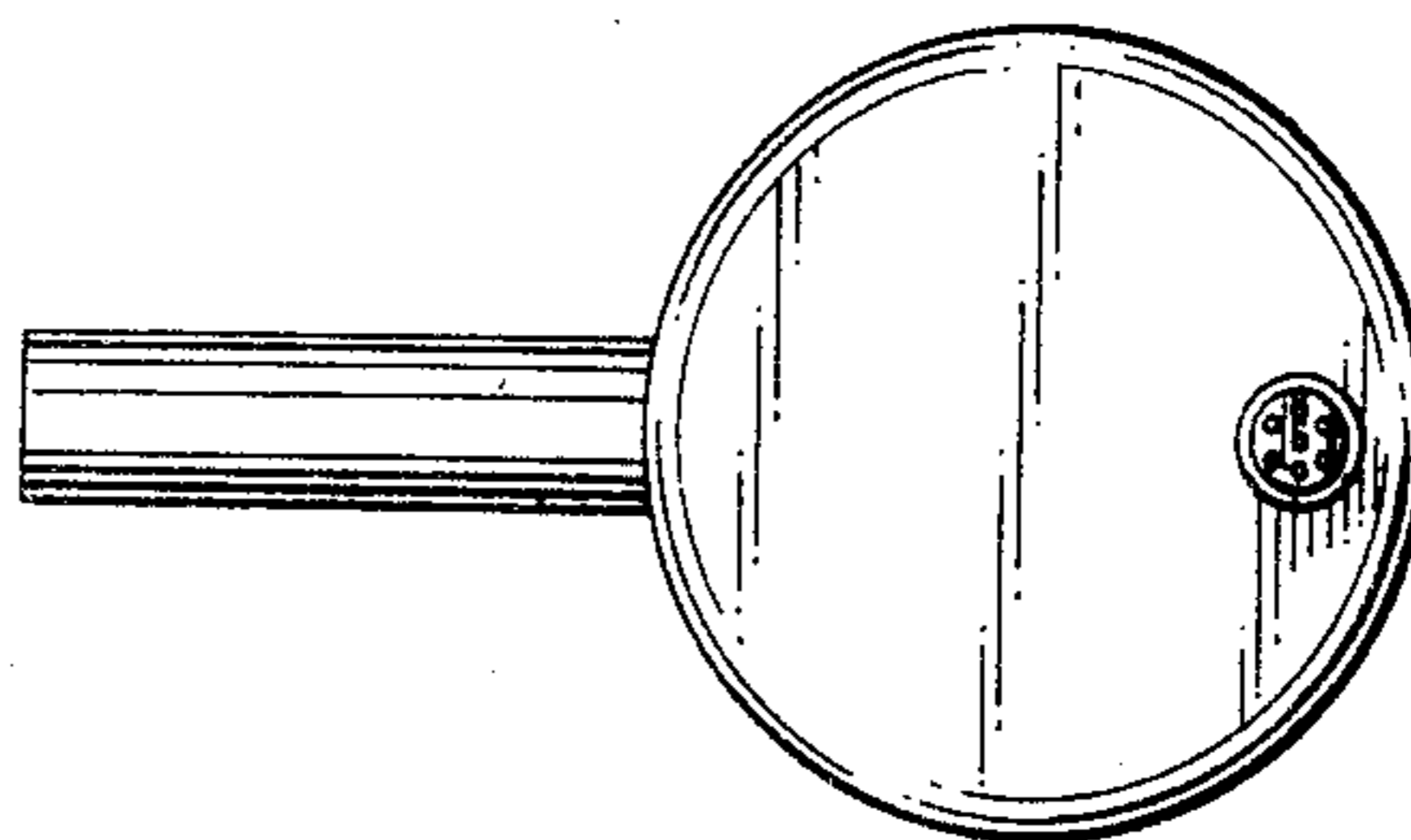


FIG. 6

