

[54] RECONFIGURABLE TOY ROBOT

[76] Inventor: Sang-Kwon Lim, 236, Dongdaeshin-dong, Seo-Ku, Busan, Rep. of Korea

[\*\*] Term: 14 Years

[21] Appl. No.: 700,289

[22] Filed: Feb. 11, 1985

[30] Foreign Application Priority Data

Aug. 17, 1984 [KR] Rep. of Korea ..... Des. 9716

[52] U.S. Cl. .... D21/150; D21/87; D21/166

[58] Field of Search ..... D21/82, 59, 85, 87, D21/90, 166, 150; 446/71, 72, 80, 487; D12/319, 335, 337, 343

[56] References Cited

U.S. PATENT DOCUMENTS

D. 278,643 4/1985 Ogawa ..... D21/87

D. 279,804 7/1985 Ohno ..... D21/87  
D. 281,090 10/1985 Murakami ..... D21/150  
4,411,097 10/1983 Murakami ..... 446/487  
4,594,071 6/1986 Zaruba et al. .... 446/487

Primary Examiner—Charles A. Rademaker  
Attorney, Agent, or Firm—Birch, Stewart, Kolasch & Birch

[57] CLAIM

The ornamental design for a reconfigurable robot, as shown and described.

DESCRIPTION

FIG. 1 is a perspective view of a reconfigurable toy robot showing my new design;  
FIG. 2 is a top plan view thereof, showing the design in a compact position;  
FIG. 3 is a front elevational view thereof;  
FIG. 4 is an elevational view thereof with the arm members of the figure in a distened position;  
FIG. 5 is a rear elevational view thereof;  
FIG. 6 is a side elevational view thereof; and,  
FIG. 7 is a right side elevational view thereof.

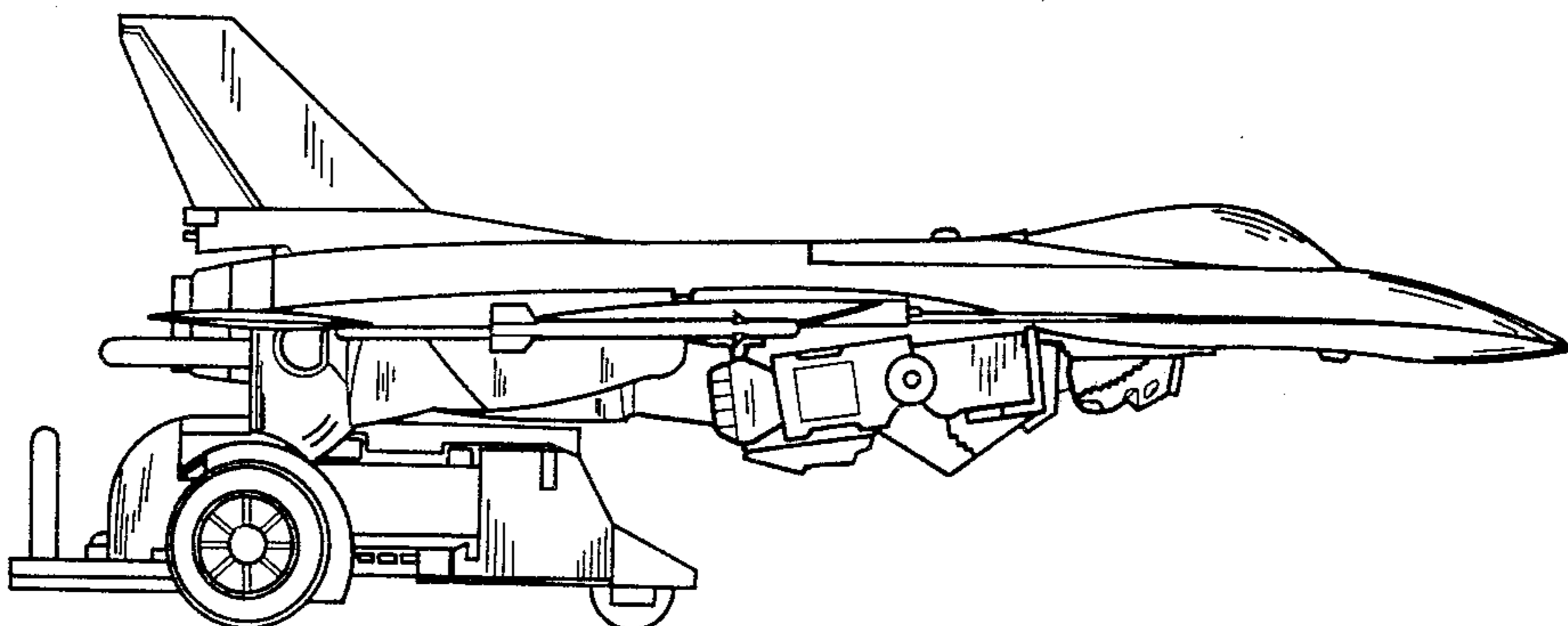
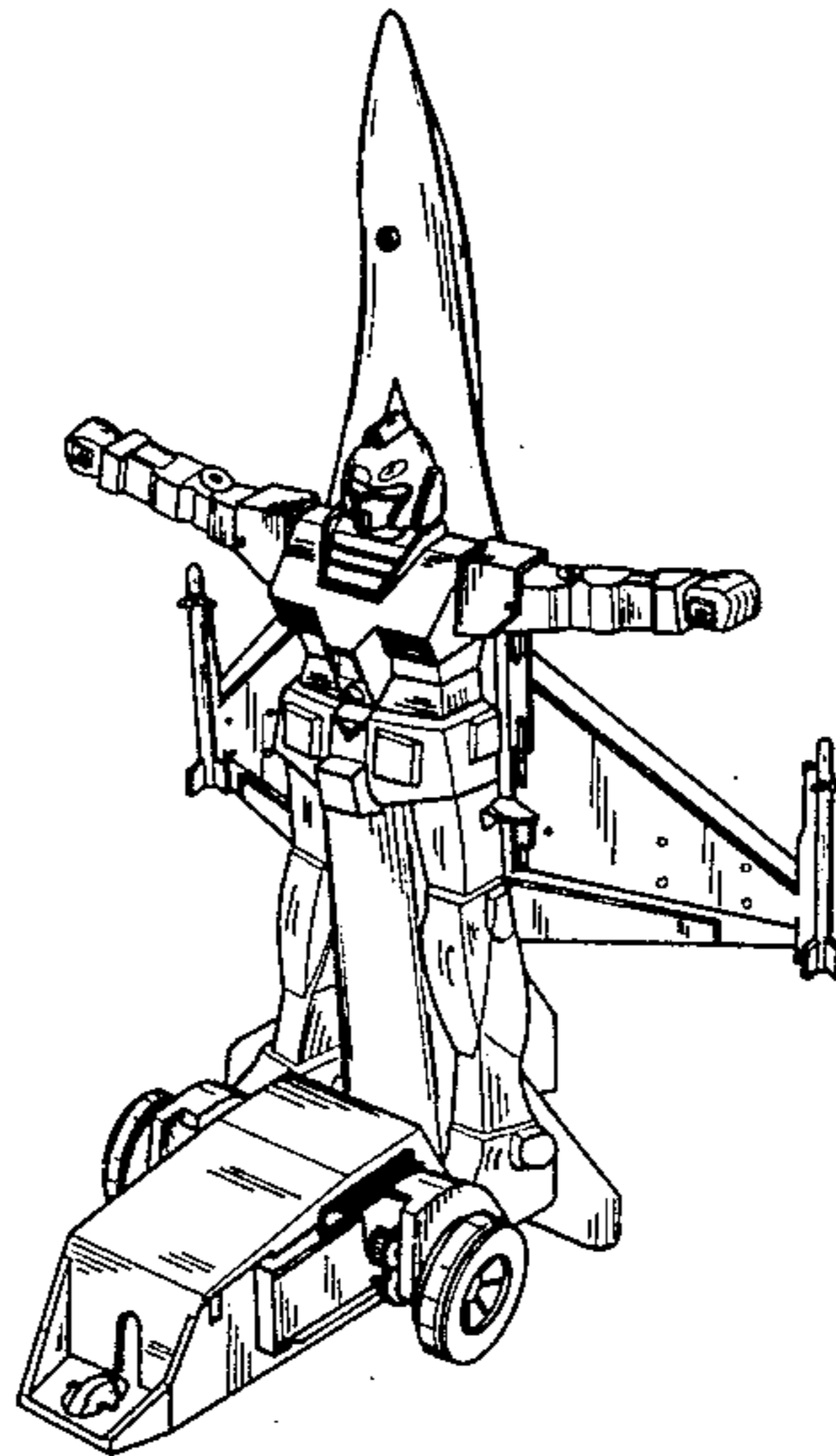


FIG. 1

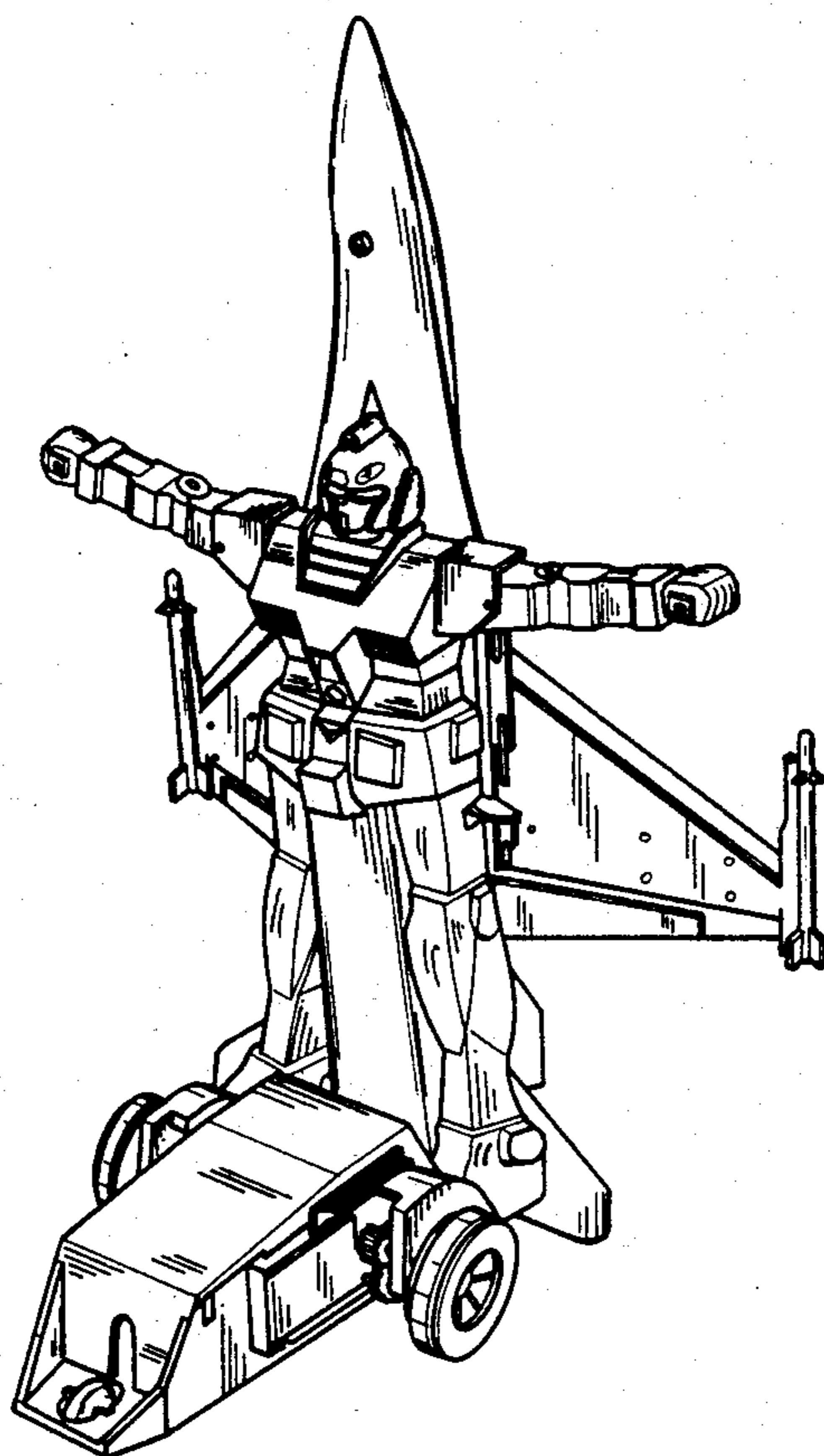


FIG. 2

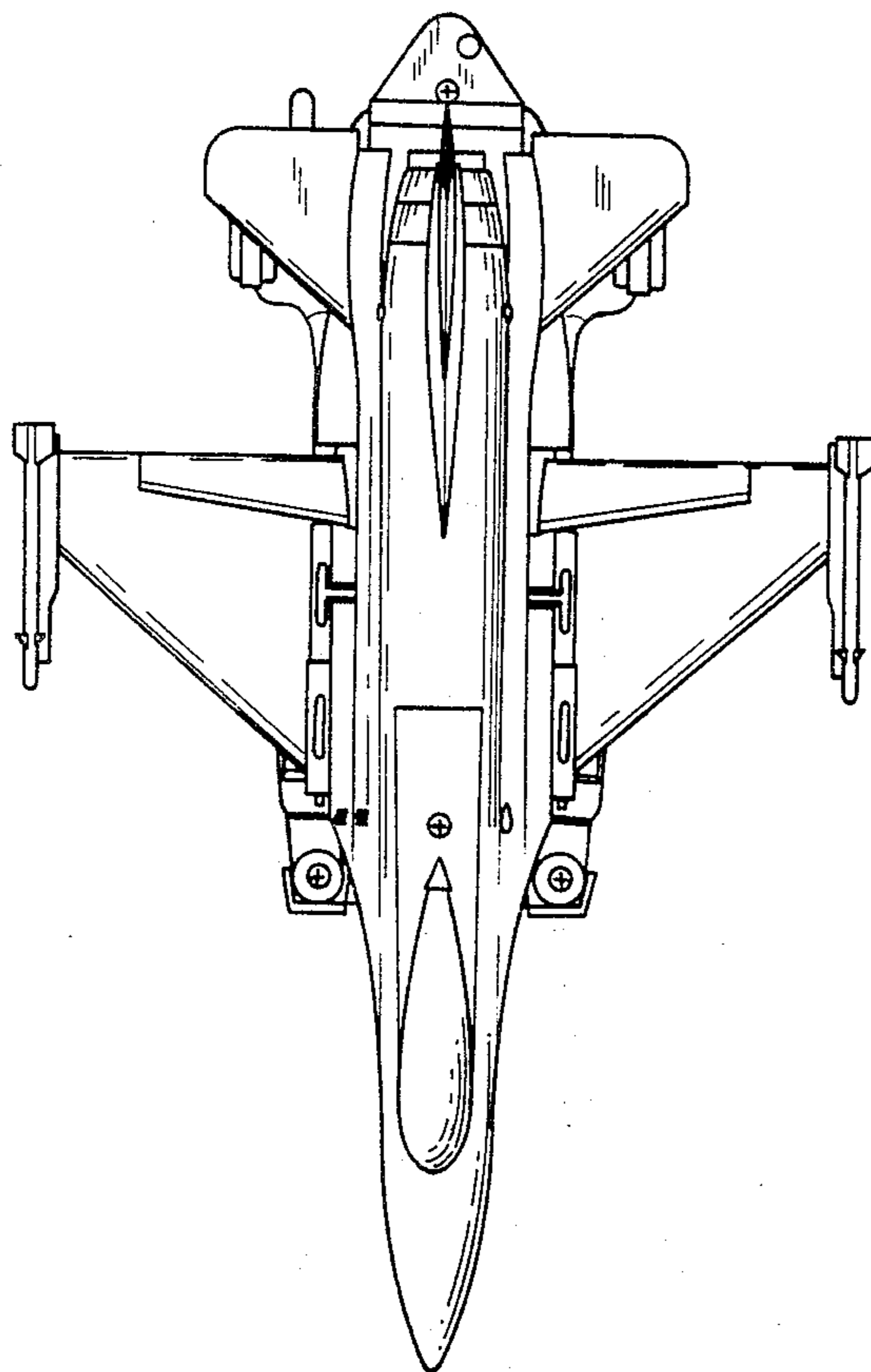


FIG. 3

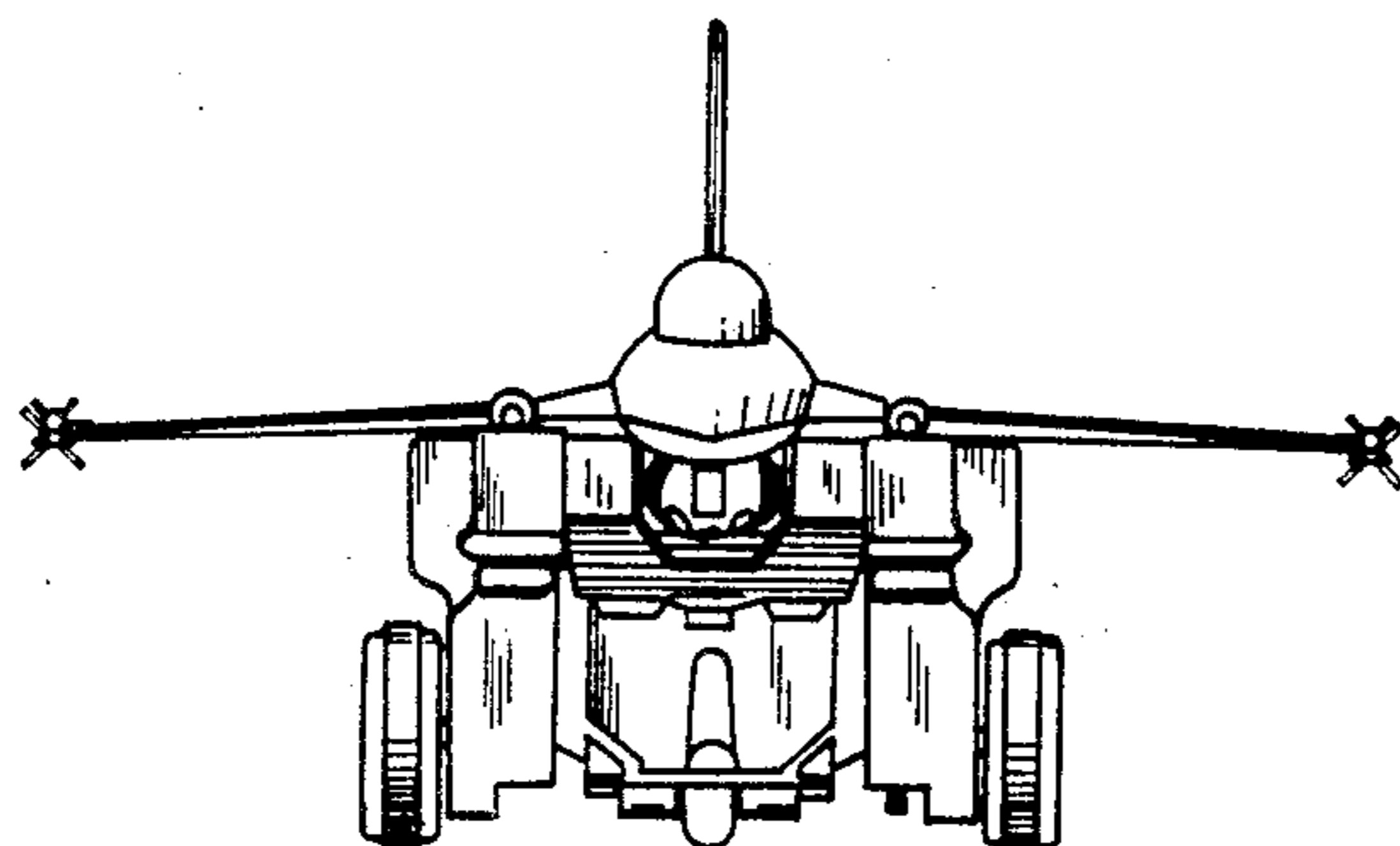


FIG. 4

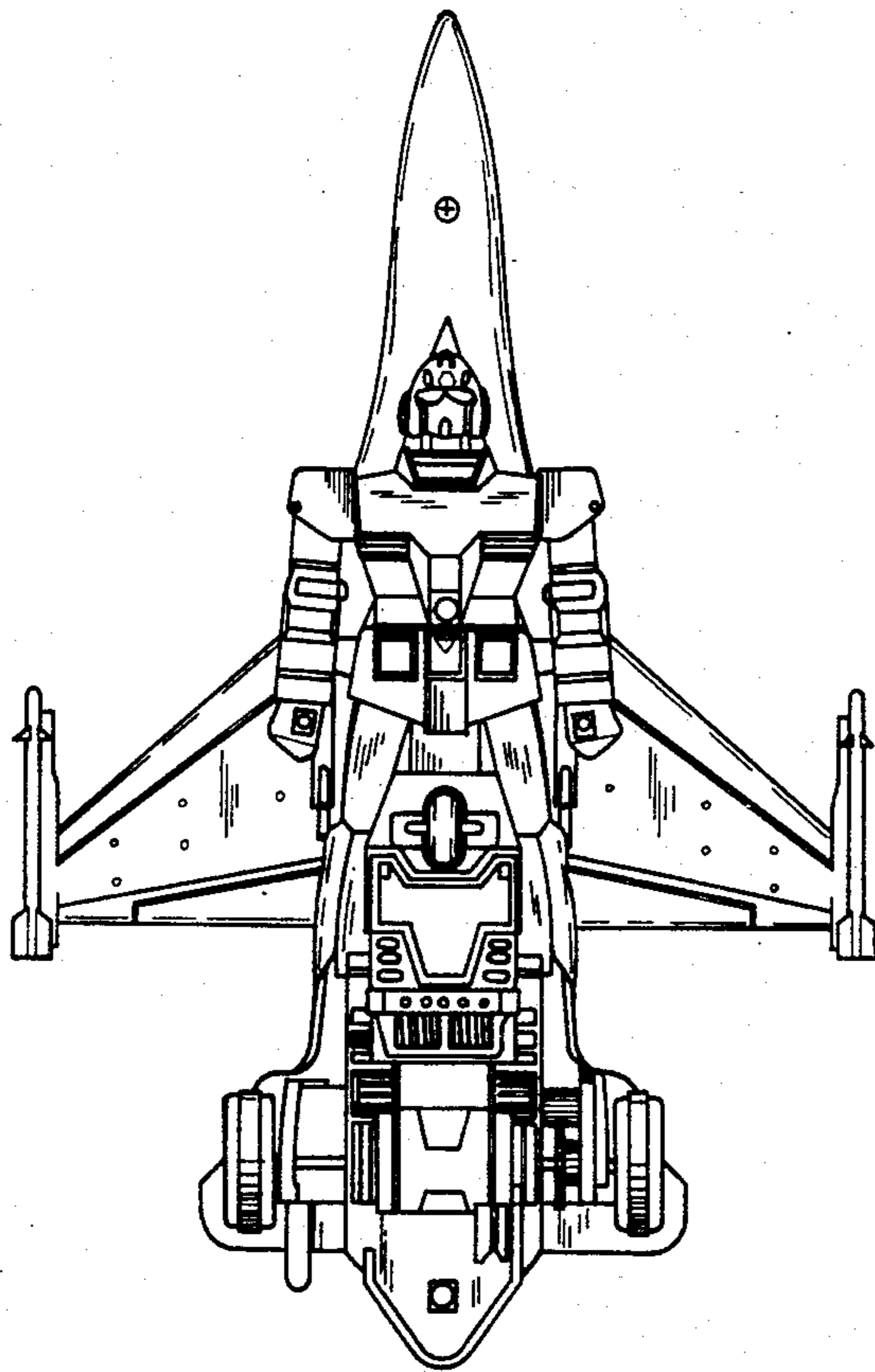


FIG. 5

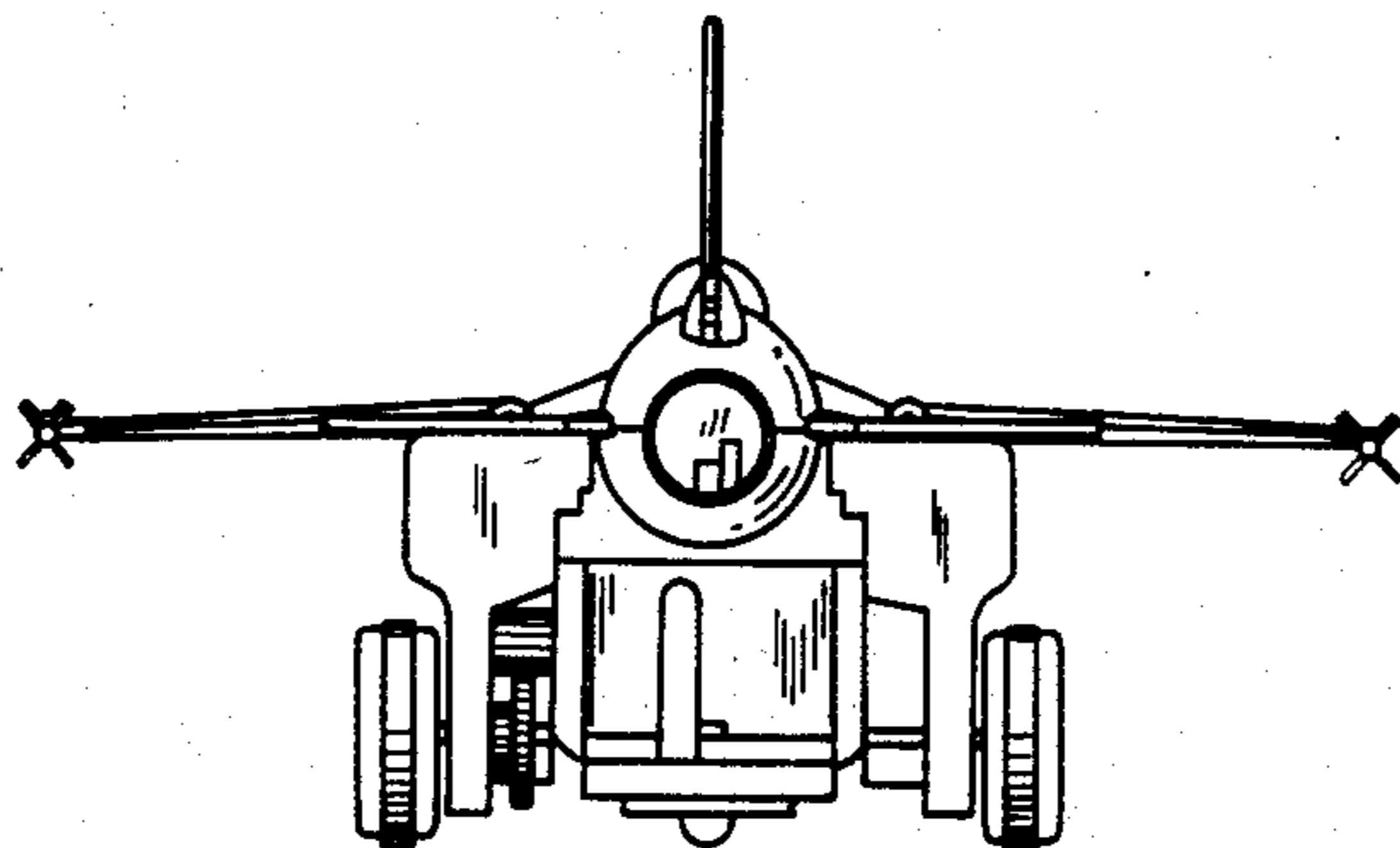


FIG. 6

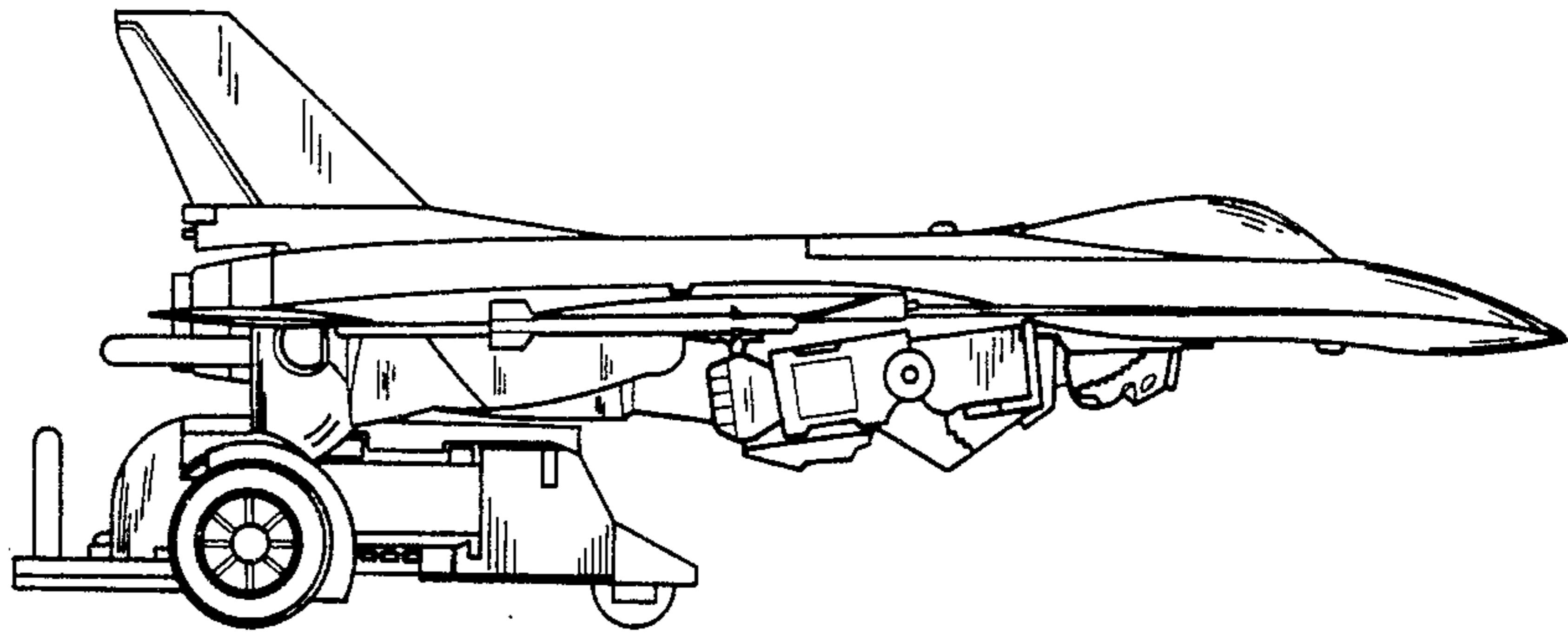


FIG. 7

