

[54] BOOKMARK

[76] Inventor: Byron D. Lawrence, 41207 188th Ave., S.E., Enumclaw, Wash. 98022

[**] Term: 14 Years

[21] Appl. No.: 685,079

[22] Filed: Dec. 21, 1984

[52] U.S. Cl. D19/34; D20/27

[58] Field of Search D19/34, 1-12; 116/234, 235, 236; 281/45; D20/27, 40

[56] References Cited

U.S. PATENT DOCUMENTS

- D. 276,820 12/1984 Lill D19/10
- 446,857 2/1891 Fiske 116/235
- 538,706 5/1895 Sexton 116/234

FOREIGN PATENT DOCUMENTS

2485442 12/1981 France 116/235 X

OTHER PUBLICATIONS

Symbol Sourcebook—Henry Dreyfuss, p. 108, Paperback—Reinhold Co. Inc. ©1972, "Manufacturing", 3rd row, 2nd col., Automatic or Semi-Automatic Cycle.

Primary Examiner—Winifred E. Herrmann

[57] CLAIM

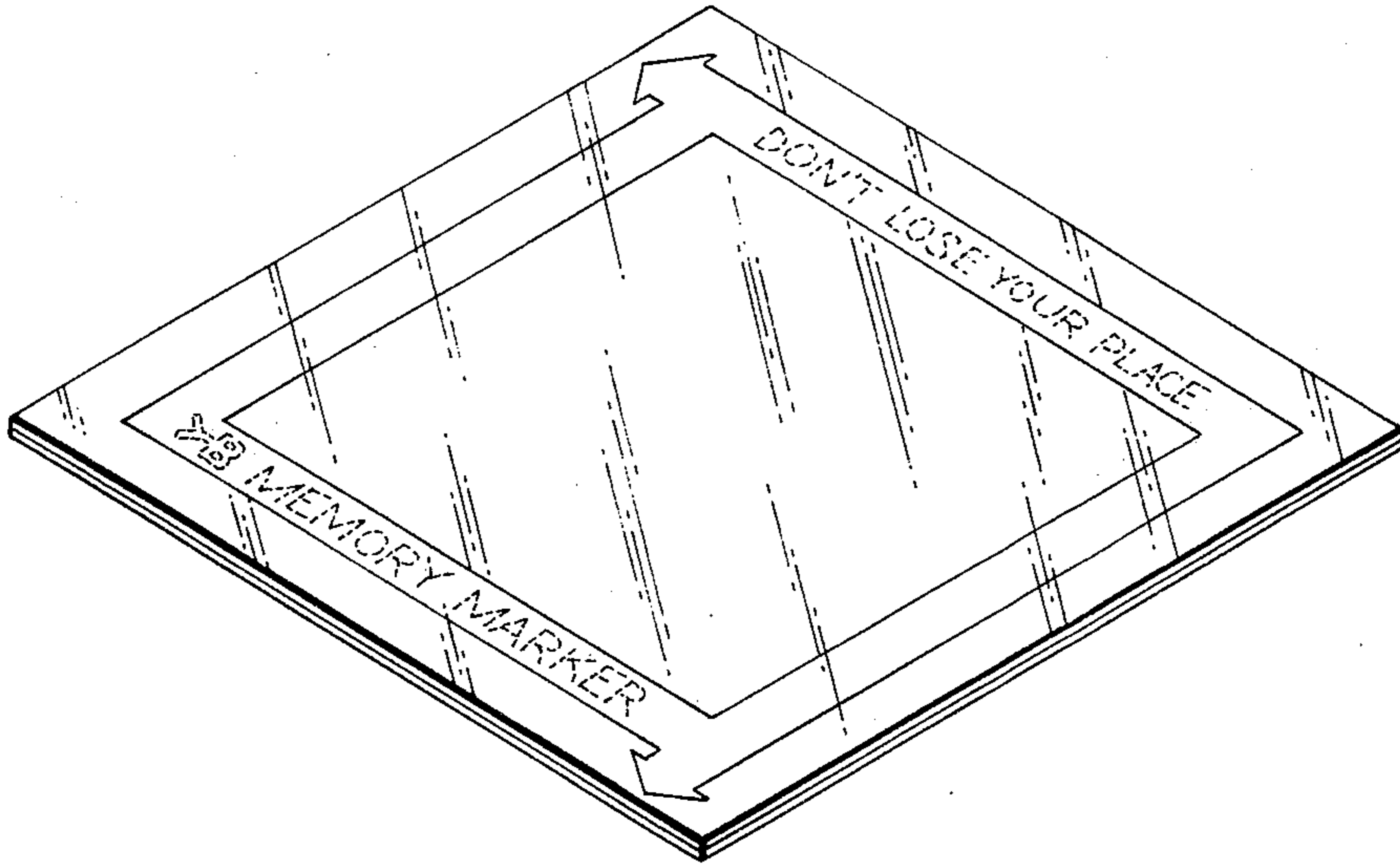
The ornamental design for a bookmark, as shown and described.

DESCRIPTION

FIG. 1 is a top perspective view of a bookmark showing my new design; the broken line showing of the printed matter is for illustrative purposes only and forms no part of the claimed design;

FIG. 2 is a bottom perspective view thereof; and

FIG. 3 is a side elevational view thereof, the sides not shown are identical to the side shown.



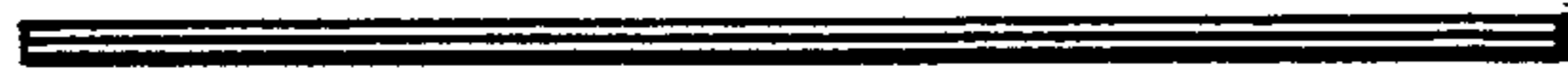
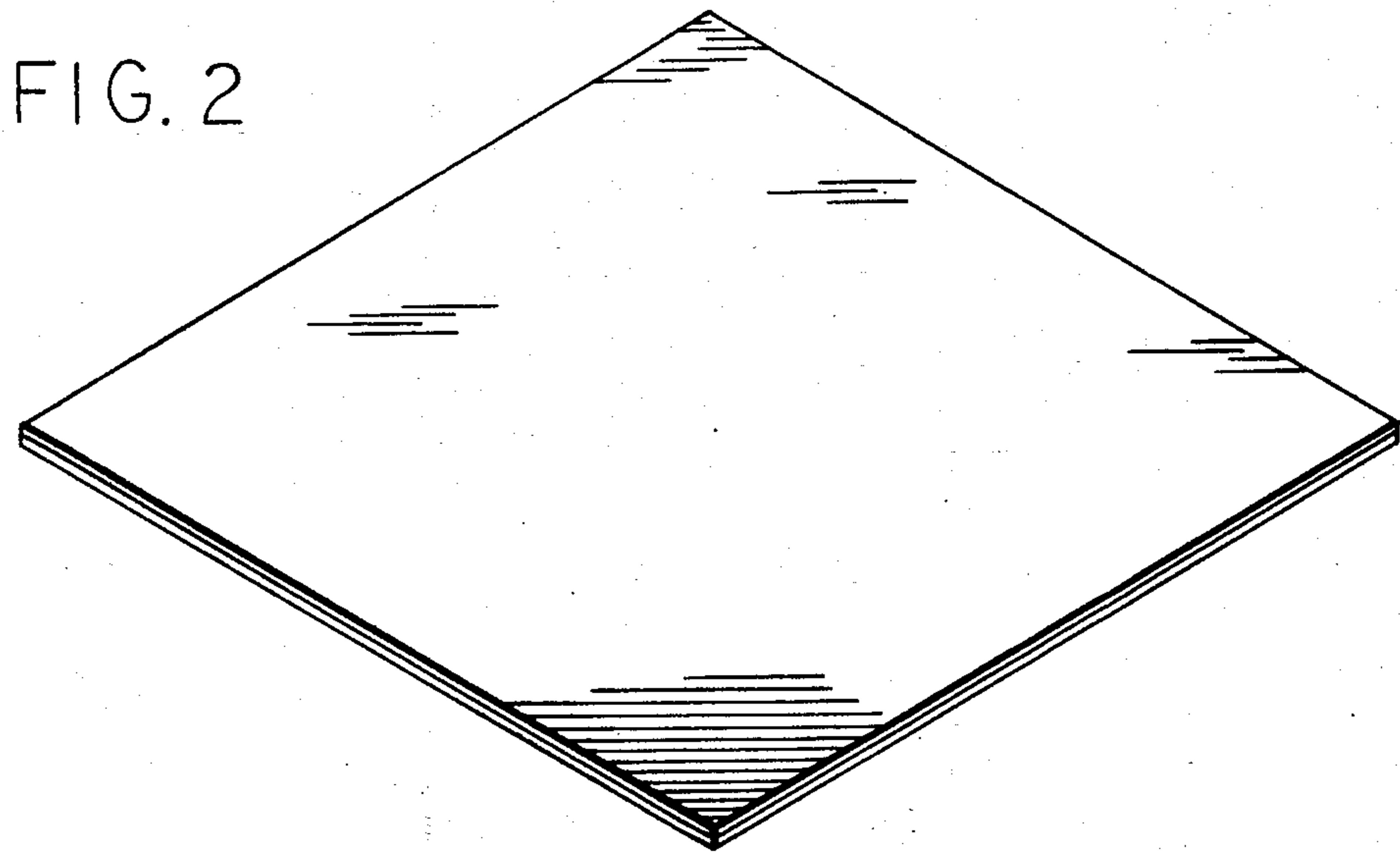
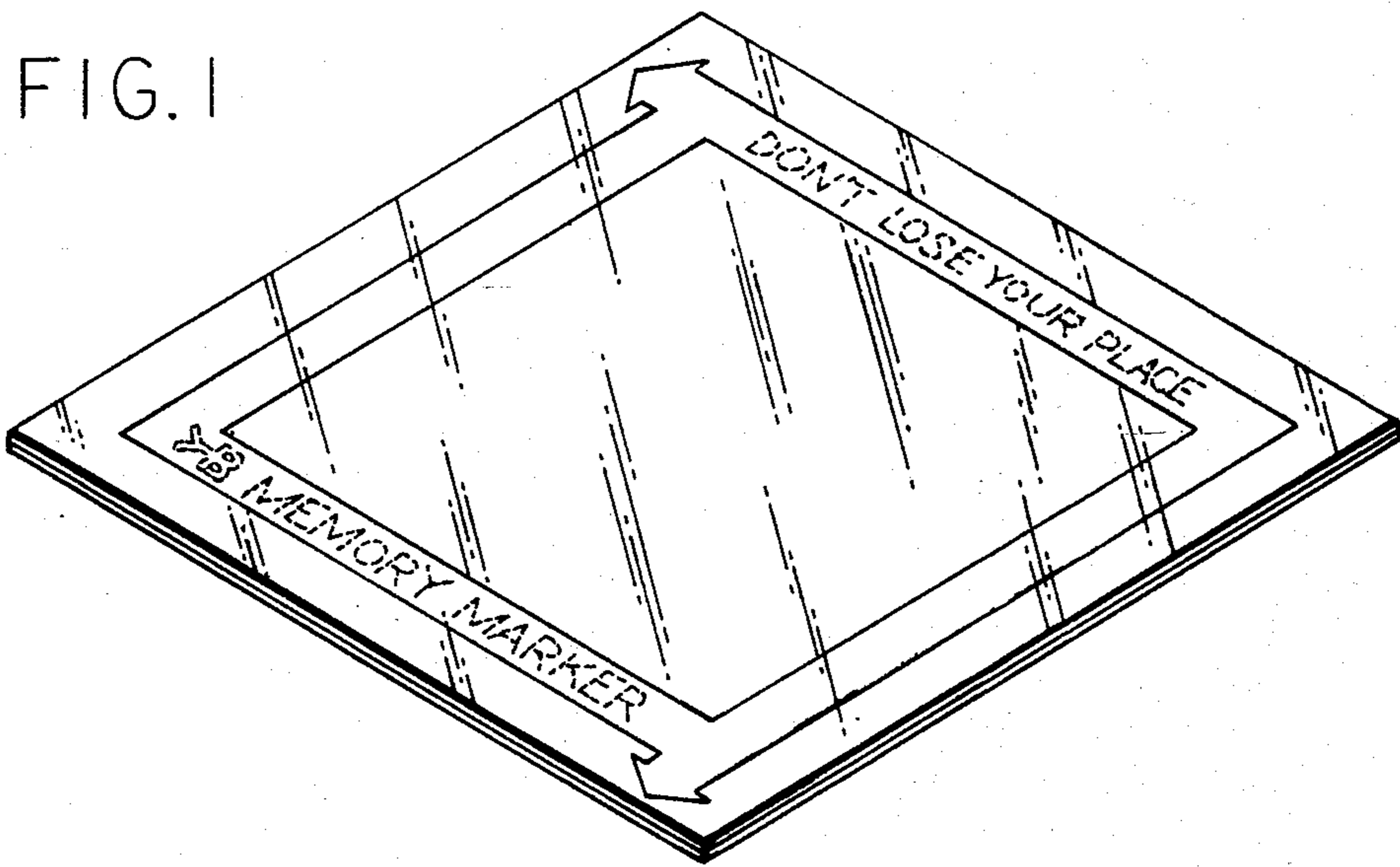


FIG. 3