

[54] ILLUMINATION HOUSING FOR AN OPERATING ROOM MICROSCOPE

[75] Inventors: Richard E. Feinbloom; Melvin Levine, both of New York; Lung T. Yee, Brooklyn, all of N.Y.

[73] Assignee: Designs for Vision, Inc., Ronkonkomo, N.Y.

[\*\*] Term: 14 Years

[21] Appl. No.: 594,563

[22] Filed: Mar. 29, 1984

[52] U.S. Cl. .... D16/131; D16/134

[58] Field of Search ..... D16/130-136; 350/521, 523-528, 235

[56] References Cited

U.S. PATENT DOCUMENTS

D. 163,628	6/1951	Perkins	.....	D16/131
D. 254,311	2/1980	Morgan et al.	.....	D16/131
2,971,080	2/1961	Boughton	.....	D16/131 X
3,663,096	5/1972	Fuller	.....	350/235 X
3,790,249	2/1974	Treace	.....	350/523

FOREIGN PATENT DOCUMENTS

3037556	5/1982	Fed. Rep. of Germany	.....	350/523
63913	4/1983	Japan	.....	350/524

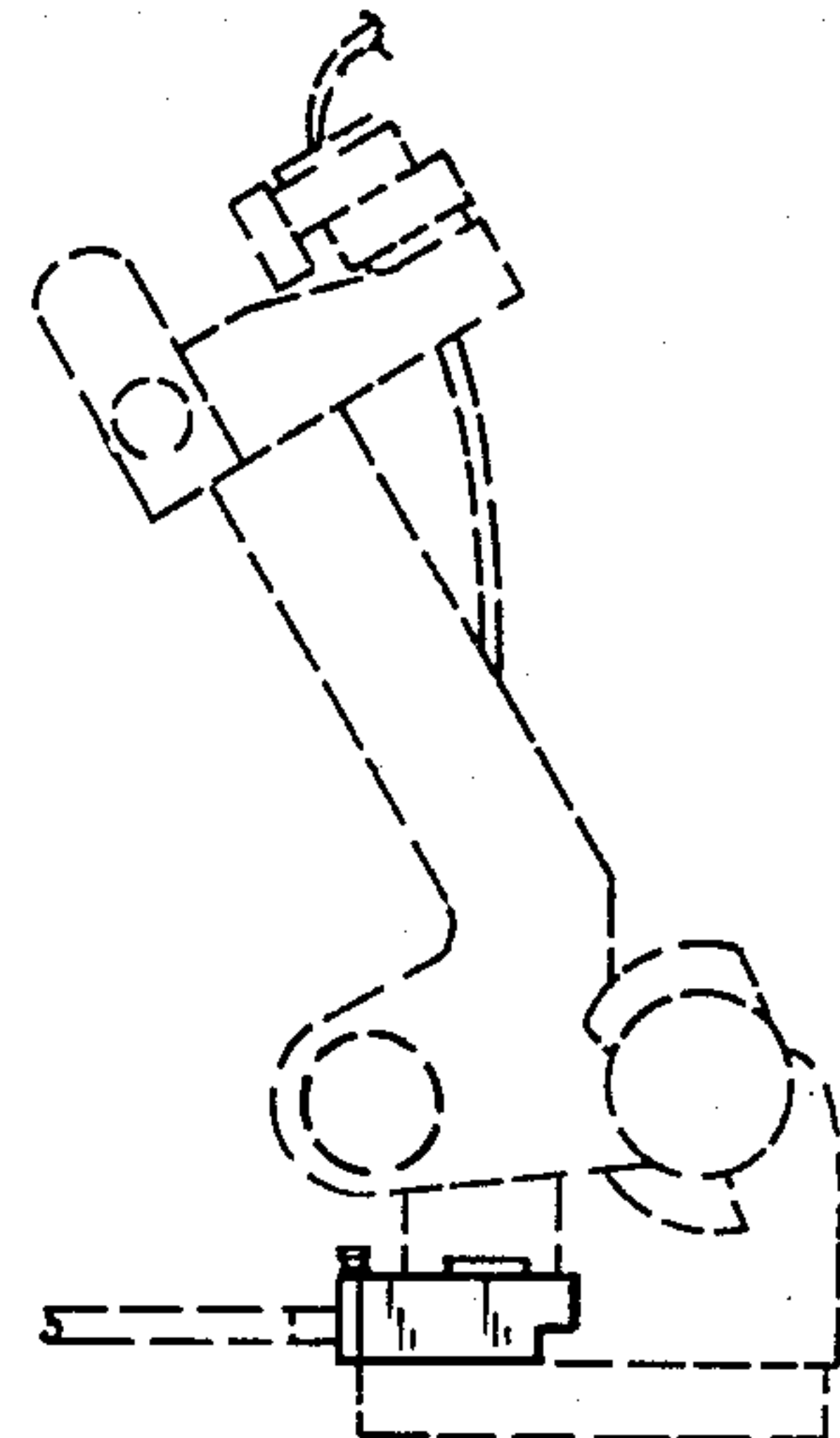
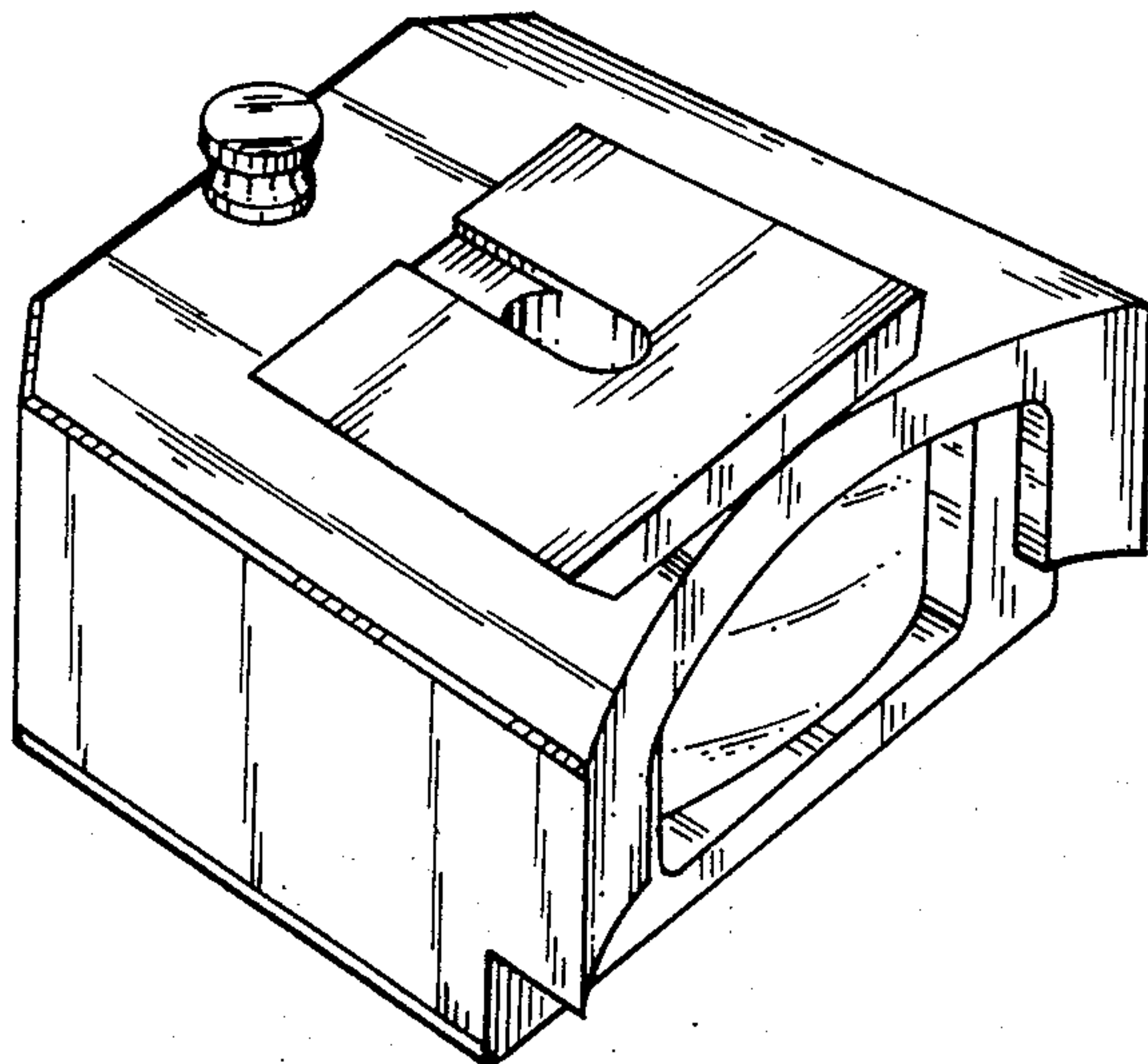
Primary Examiner—Susan J. Lucas  
Assistant Examiner—C. E. Heflin  
Attorney, Agent, or Firm—Arthur L. Plevy

[57] CLAIM

The ornamental design for an illumination housing for an operating room microscope, substantially as shown and described.

DESCRIPTION

FIG. 1 is a perspective view of an illumination housing for an operating room microscope showing our new design;  
FIG. 2 is a front elevational view thereof;  
FIG. 3 is a rear elevational view thereof;  
FIG. 4 is a left side elevational view thereof, the right side being a mirror image;  
FIG. 5 is a top plan view thereof;  
FIG. 6 is a bottom plan view thereof;  
FIG. 7 is a greatly reduced left side elevational view thereof with an operating room microscope show in in broken lines for illustrative purposes only.



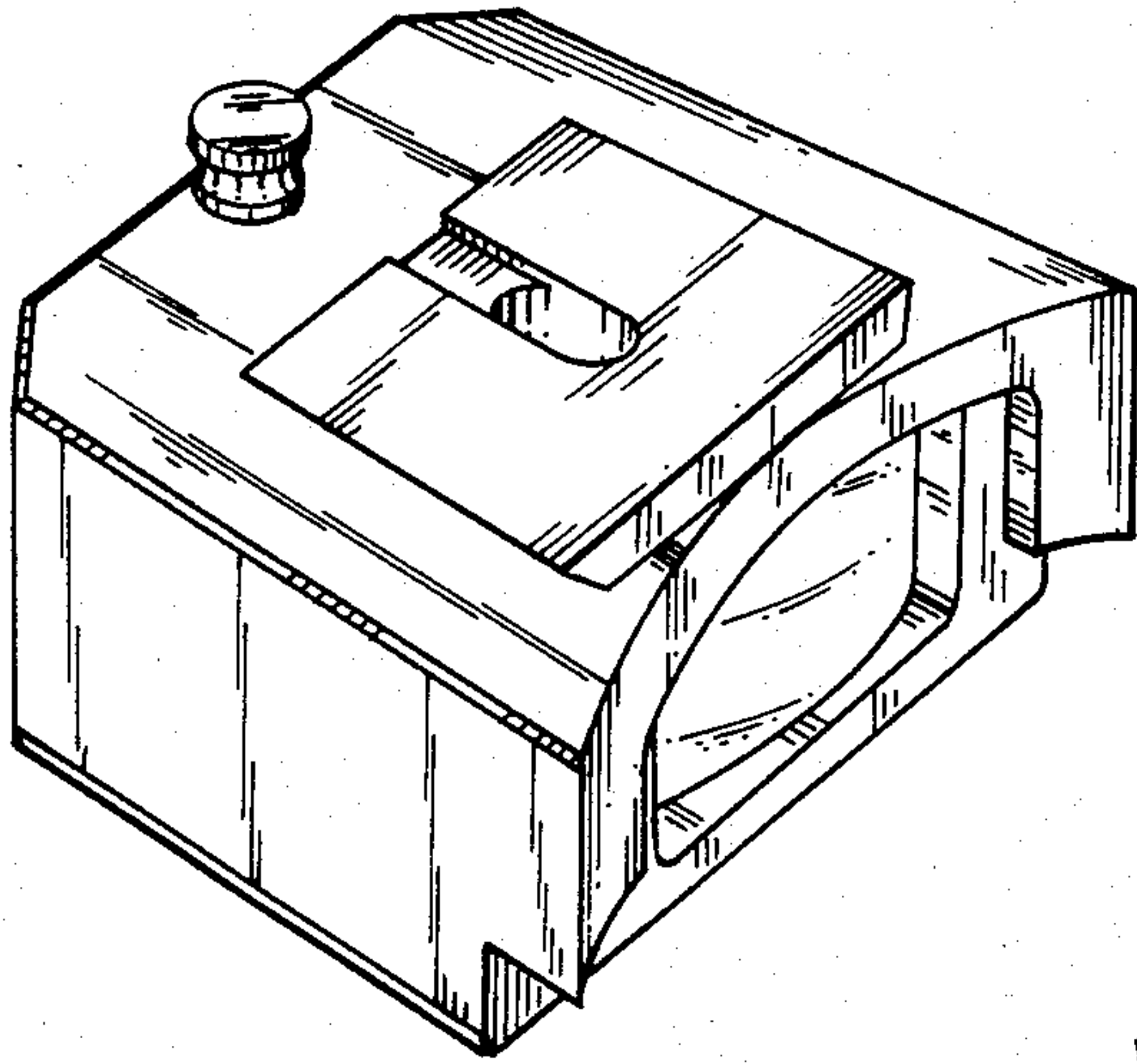


FIG. 1

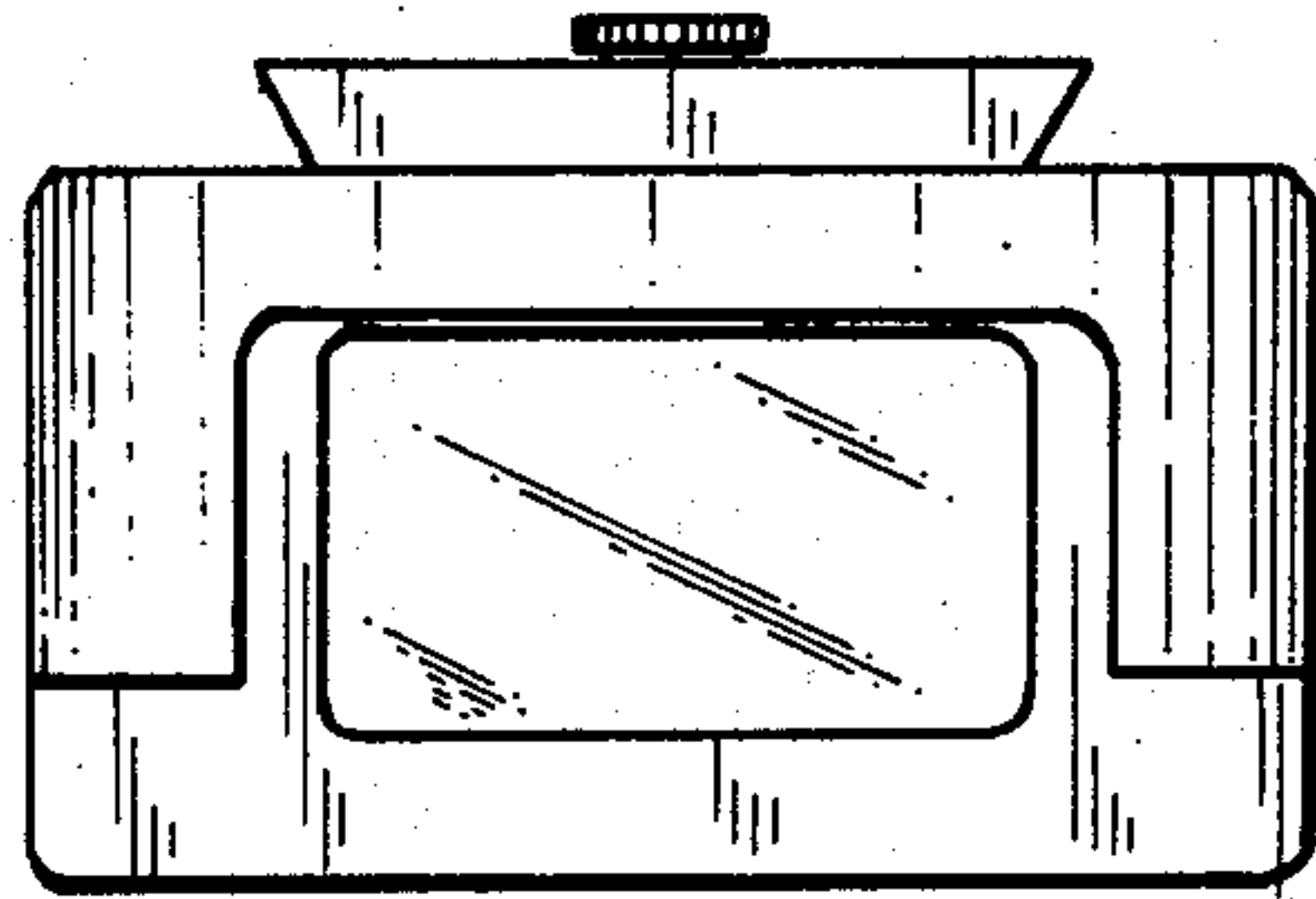


FIG. 2

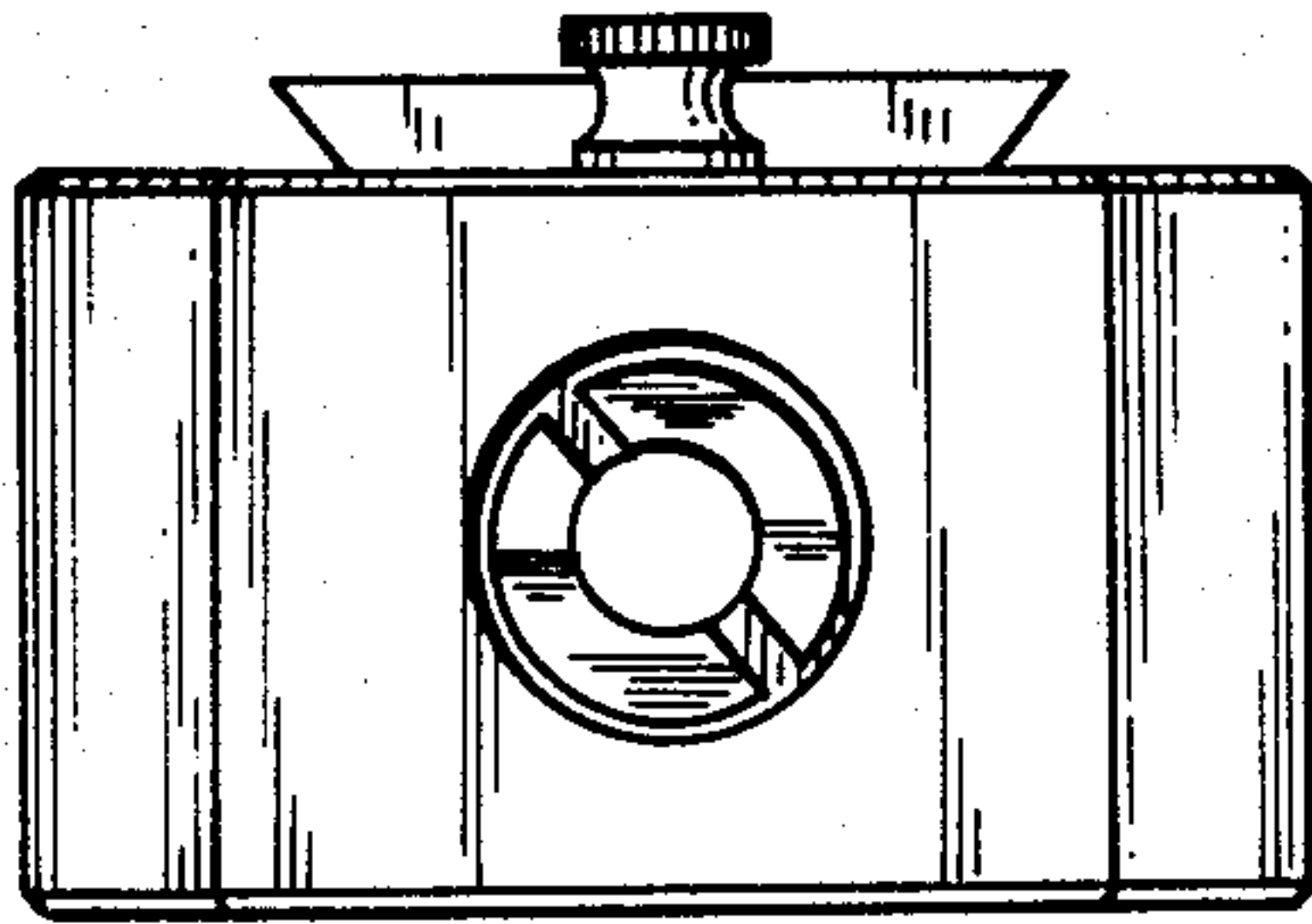


FIG. 3

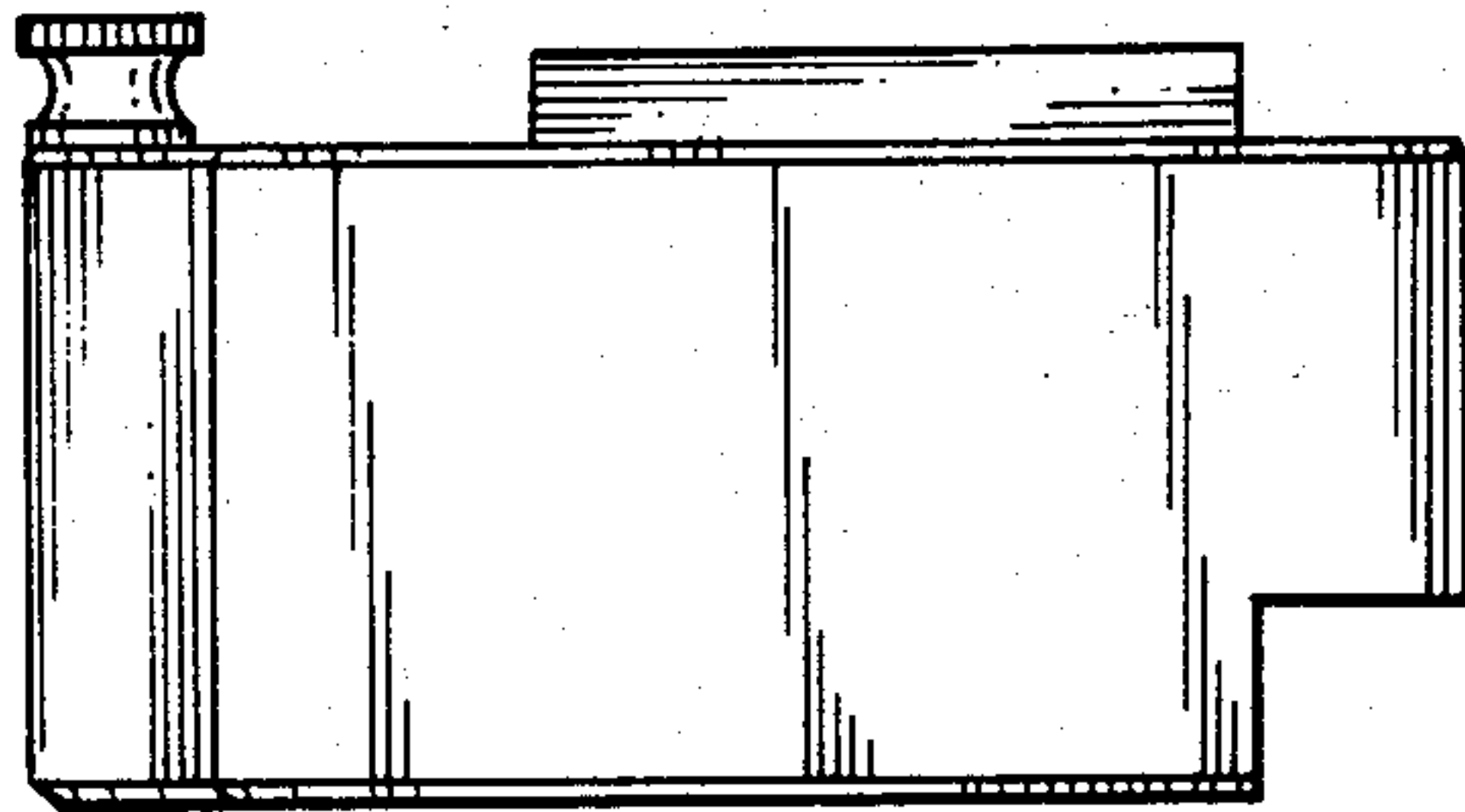


FIG. 4

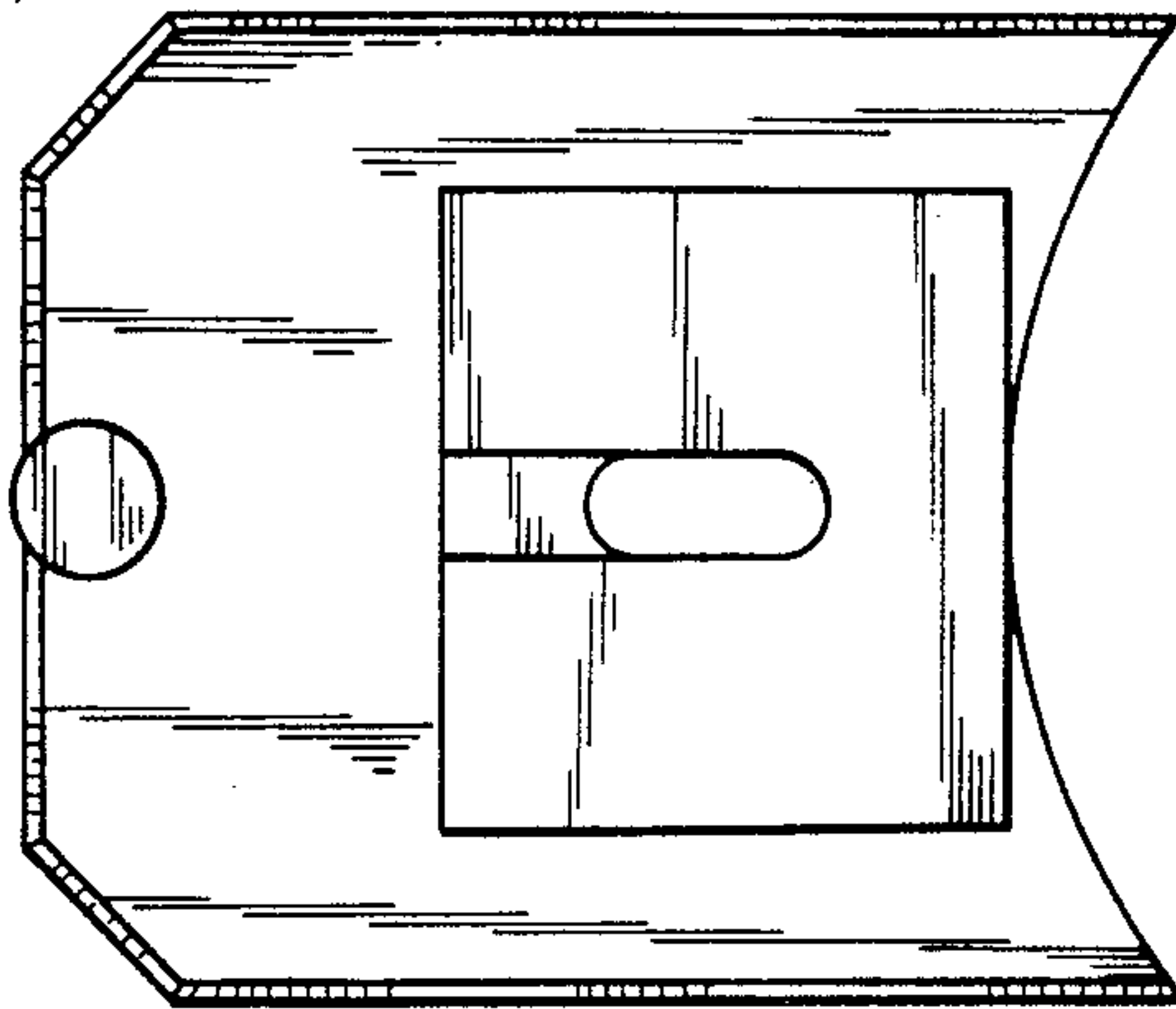


FIG. 5

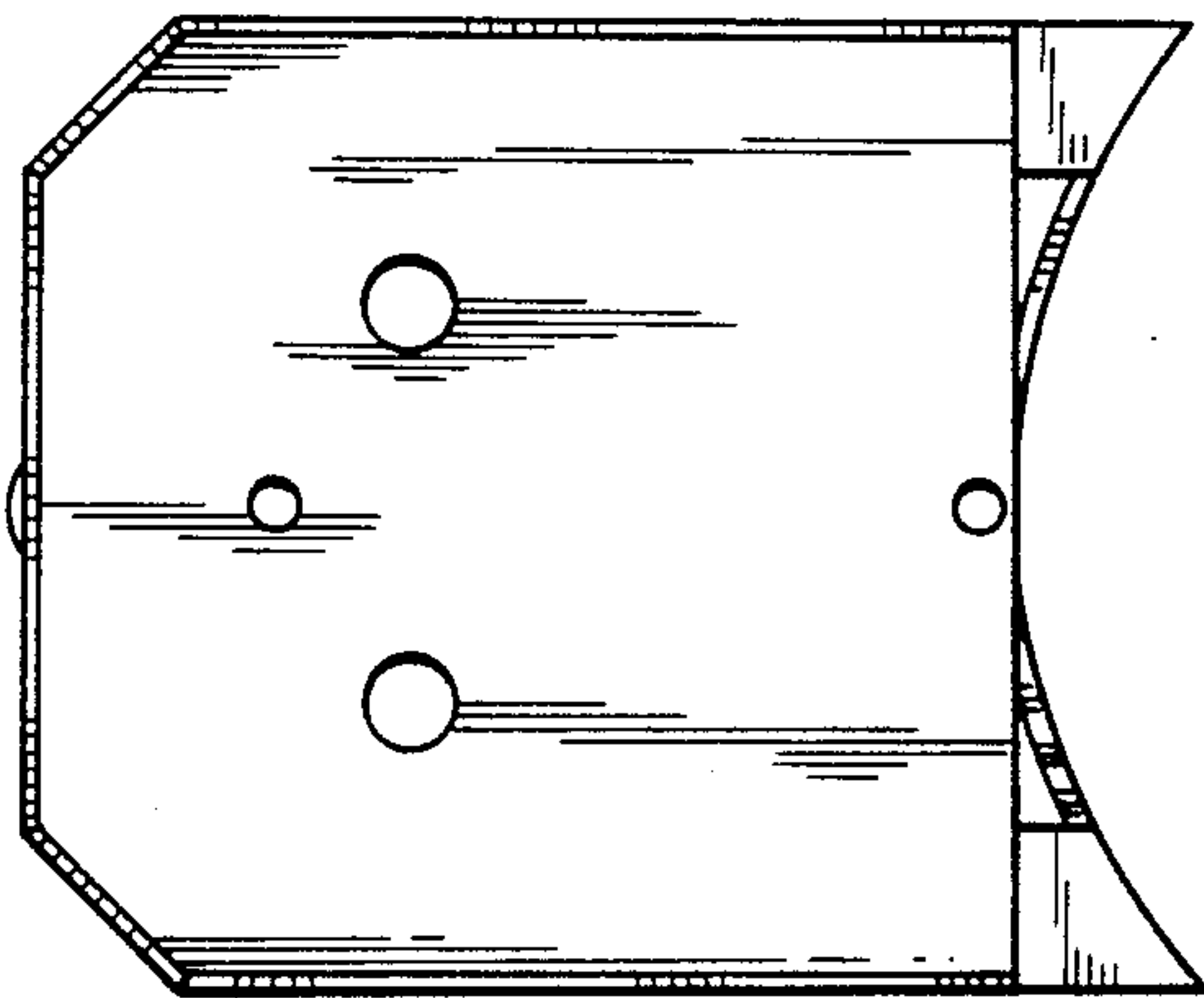


FIG. 6

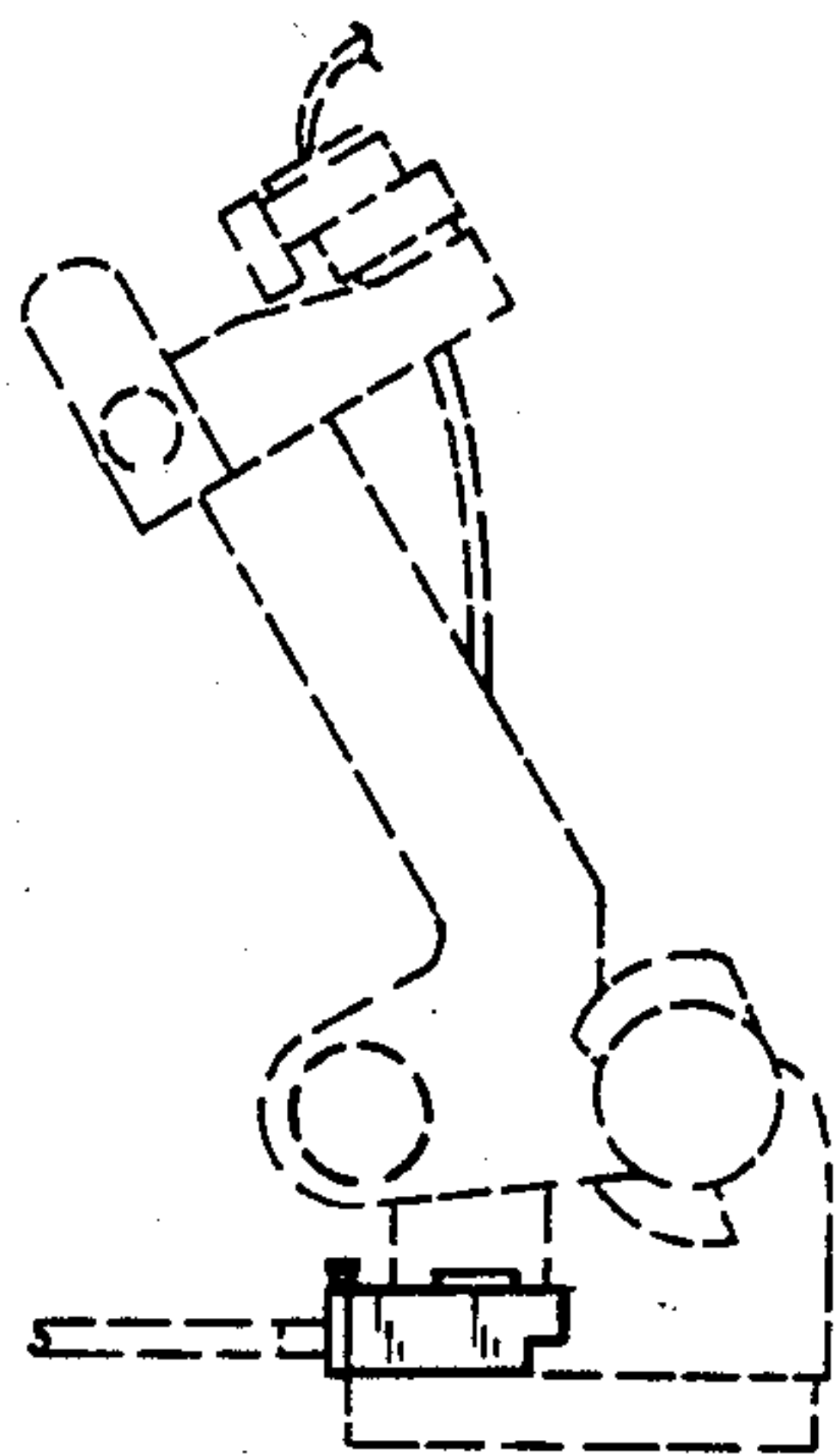


FIG. 7