

[54] COUPLING FOR USE WITH BORING TOOL OR BIT

[76] Inventor: Rune Nyström, Mjälgavägen 53, S-781 32 Borlänge, Sweden

[**] Term: 14 Years

[21] Appl. No.: 623,382

[22] Filed: Jun. 22, 1984

[30] Foreign Application Priority Data

Dec. 27, 1983 [SE] Sweden 83-3407

[52] U.S. Cl. D15/140; D15/138

[58] Field of Search D15/138, 140; 279/8, 279/1 B, 99; 408/206, 239, 240

[56] References Cited

U.S. PATENT DOCUMENTS

3,489,191 1/1970 Blevins 279/99

3,843,143 10/1974 Laxson 279/99
3,876,319 4/1975 Meyer 279/99
4,171,821 10/1979 Miller 279/1 B
4,405,269 9/1983 Hertzler 408/226
4,557,642 12/1985 Dudas et al. 279/8
4,573,839 3/1986 Finnegan 279/1 B

Primary Examiner—B. J. Bullock
Attorney, Agent, or Firm—Gifford, Groh, VanOphem, Sheridan, Sprinkle and Dolgorukov

[57] CLAIM

The ornamental design for a coupling for use with a boring tool or bit, as shown and described.

DESCRIPTION

FIG. 1 is a bottom perspective view of a coupling for use with a boring tool or bit showing my new design. FIG. 2 is a top perspective view thereof; FIG. 3 is a reduced exploded top view thereof; FIG. 4 is a reduced exploded bottom perspective view thereof.

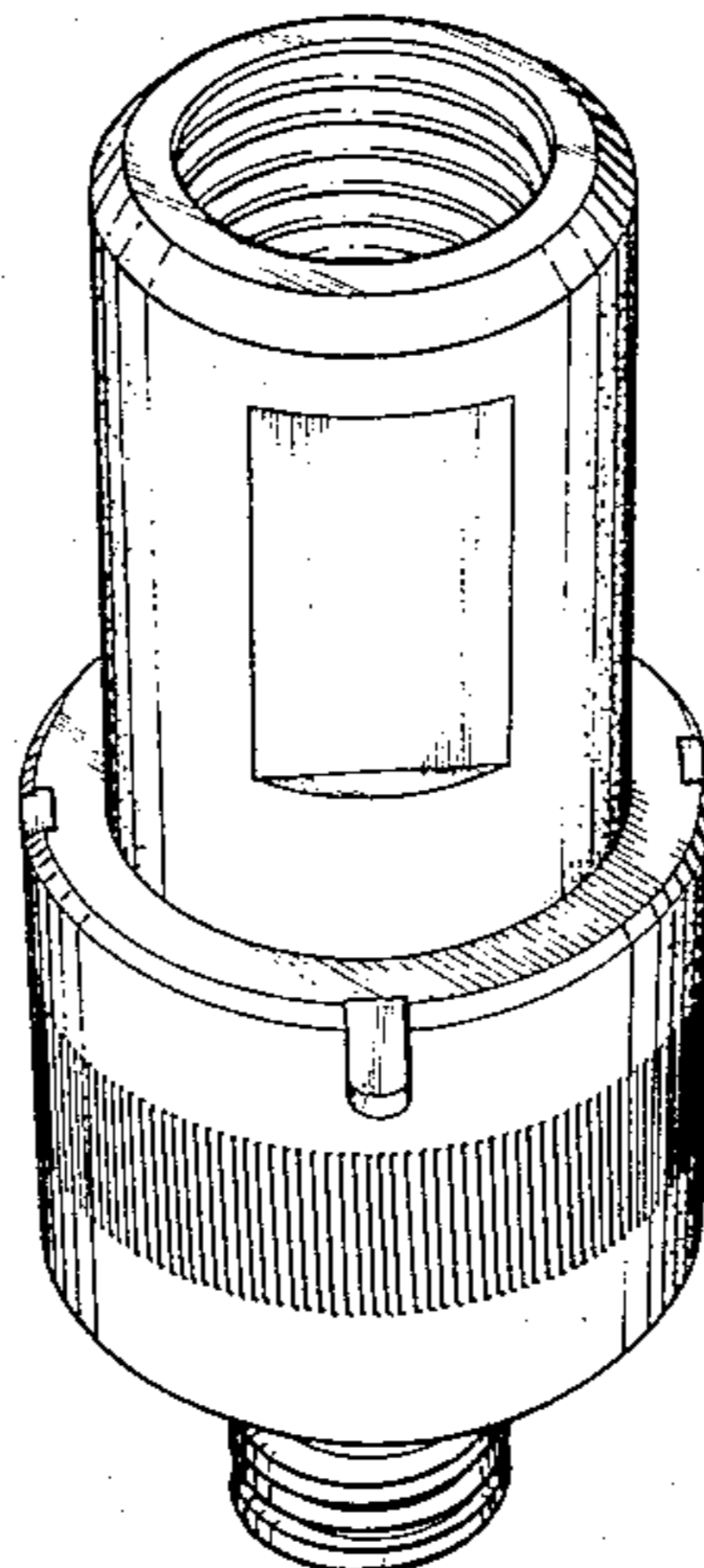
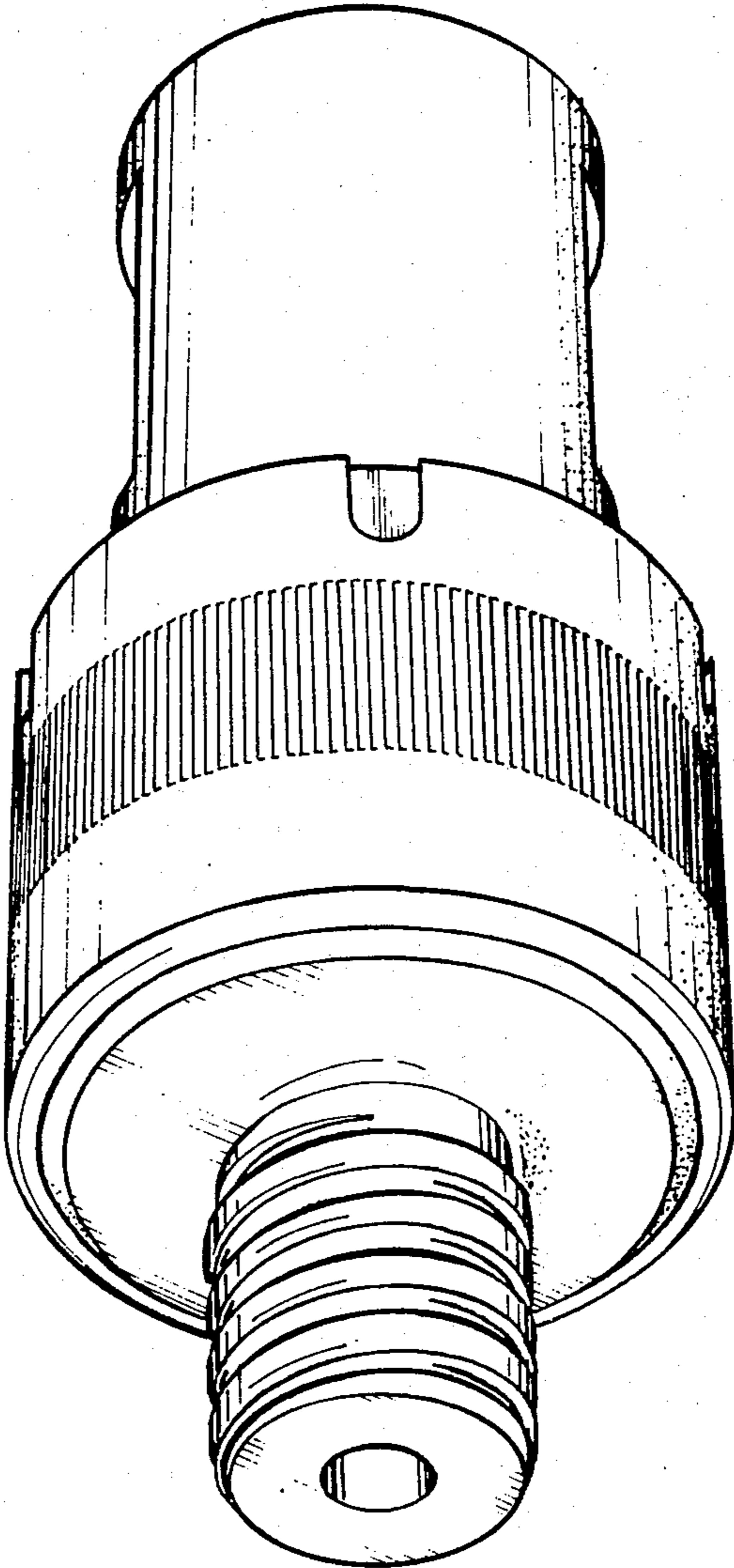


Fig-1



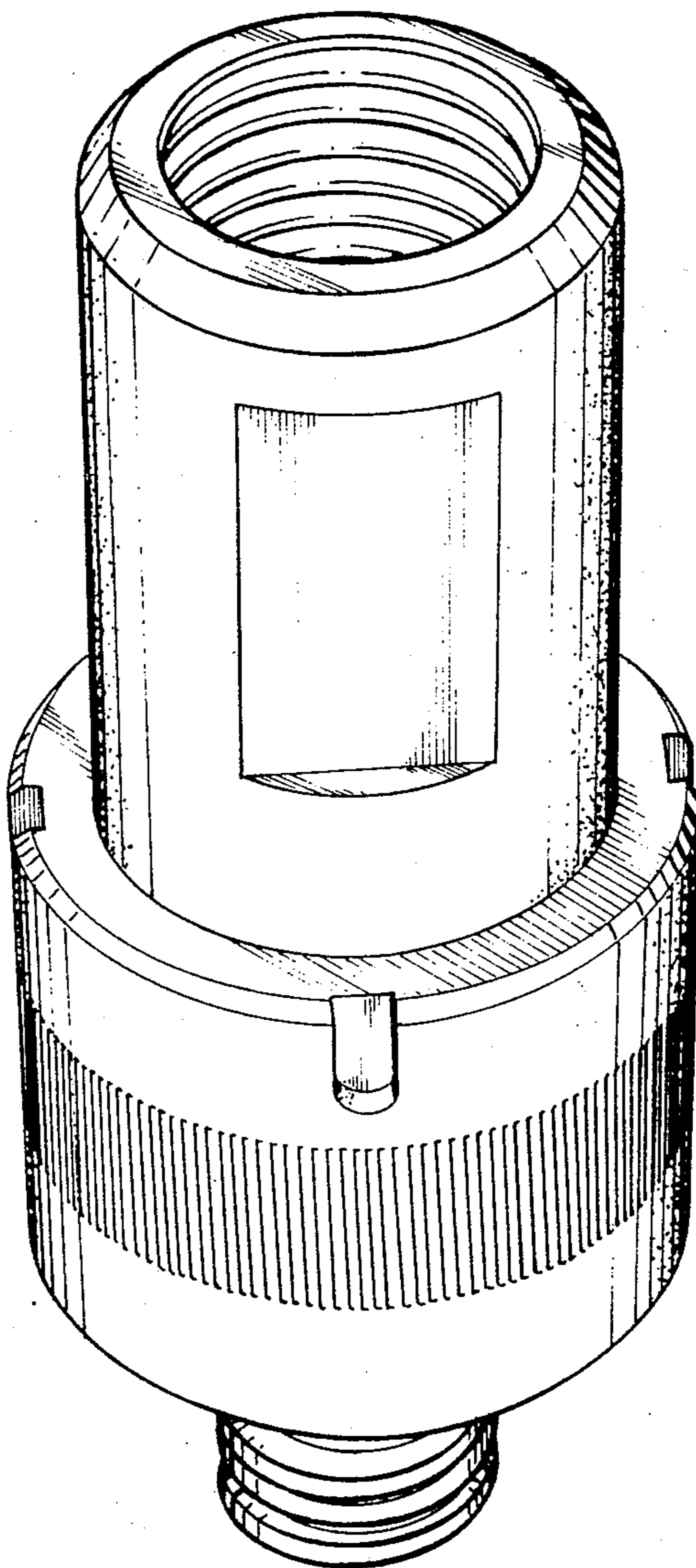


Fig-2

Fig-3

Fig-4

