

# United States Patent [19]

Chuboff et al.

[11] Patent Number: **Des. 289,398**

[45] Date of Patent: **\*\* Apr. 21, 1987**

[54] **VIDEO MONITOR**

[75] Inventors: **David P. Chuboff**, North Barrington;  
**Chester J. Wojtowicz**, Prospect Heights, both of Ill.

[73] Assignee: **Zenith Electronics Corporation**,  
Glenview, Ill.

[\*\*] Term: **14 Years**

[21] Appl. No.: **725,040**

[22] Filed: **Apr. 19, 1985**

[52] U.S. Cl. .... **D14/113; D14/80**

[58] Field of Search ..... **D14/100, 106, 113, 80,**  
**D14/77, 81, 82, 84; 340/700, 711, 720; 358/248,**  
**249, 254; 312/7.2**

[56] **References Cited**

**U.S. PATENT DOCUMENTS**

D. 266,248 9/1982 Aoki et al. .... D14/80  
D. 272,353 1/1984 Dillon ..... D14/113

D. 275,287 8/1984 Juholo et al. .... D14/113

**OTHER PUBLICATIONS**

Heathkit catalog No. 864, Winter 1983-84, p. 40, Video Display Terminal.

National Computer Conference Official Exhibit Guide, 5-1980, p. 60, Hitachi Color Monitor.

*Primary Examiner*—Susan J. Lucas

*Attorney, Agent, or Firm*—Ralph E. Clarke, Jr.

[57] **CLAIM**

The ornamental design for a video monitor, substantially as shown and described.

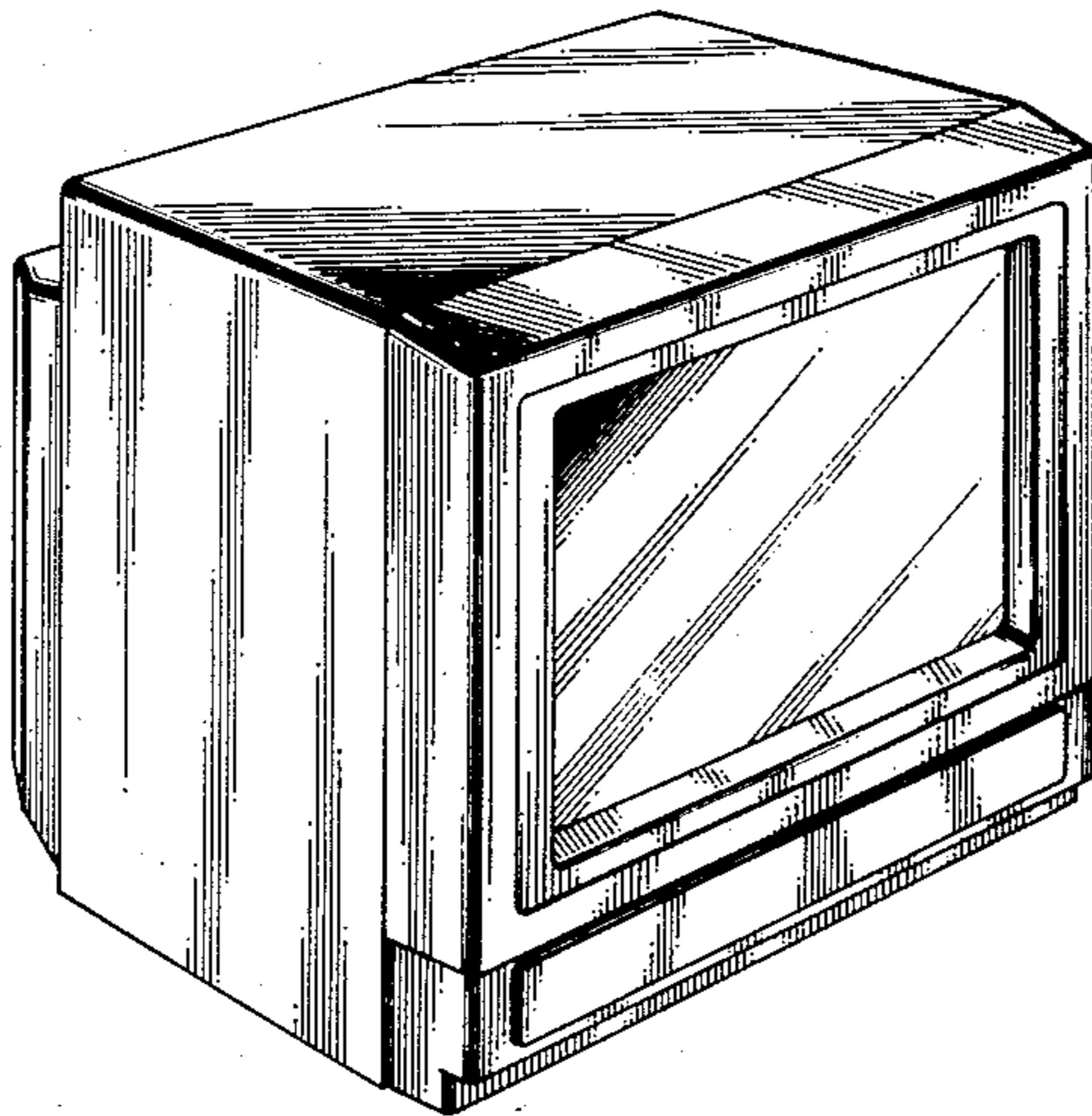
**DESCRIPTION**

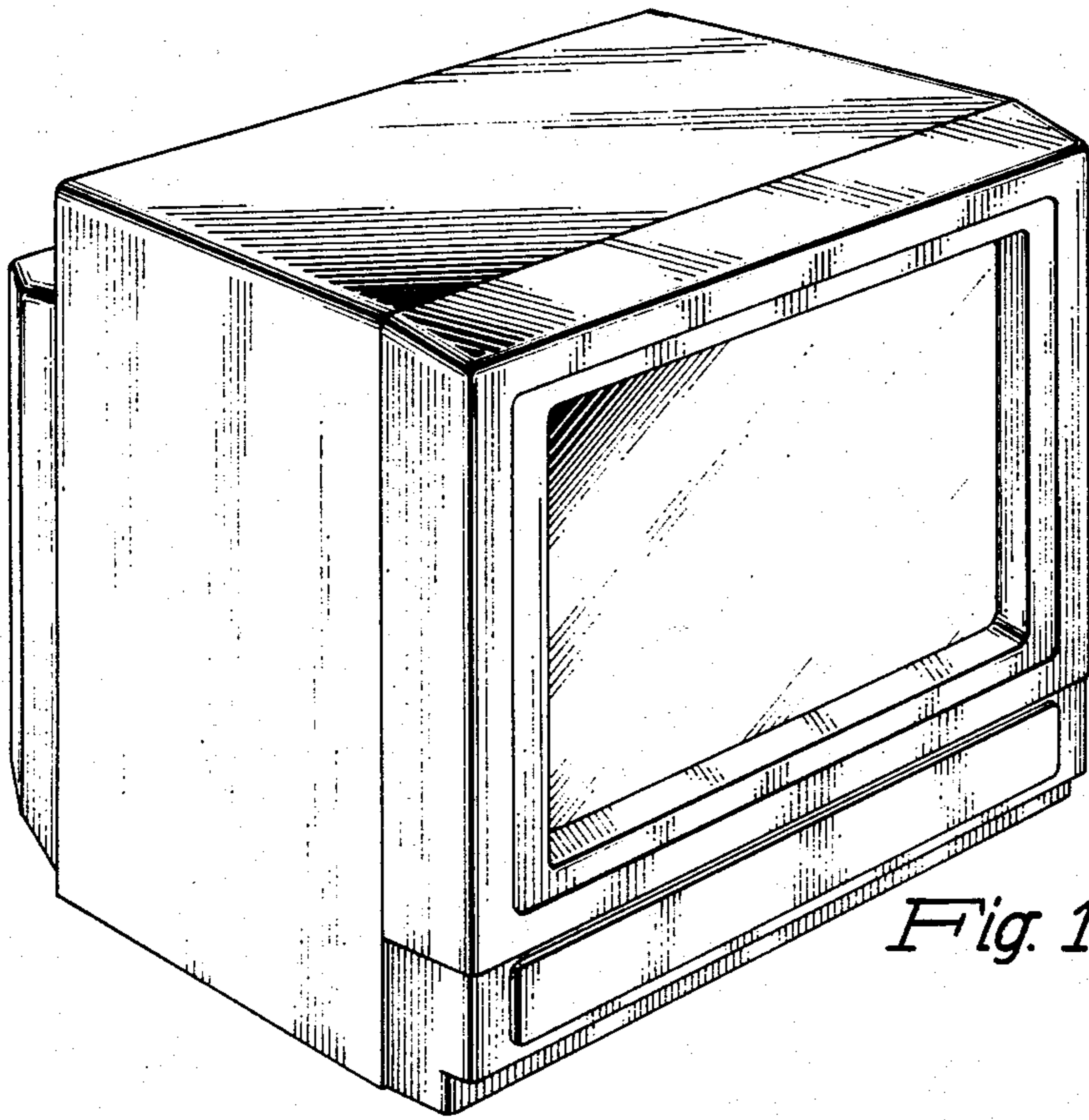
FIG. 1 is a top, front and side perspective view of a video monitor showing our new design;

FIG. 2 is a top, rear and opposite side perspective view thereof;

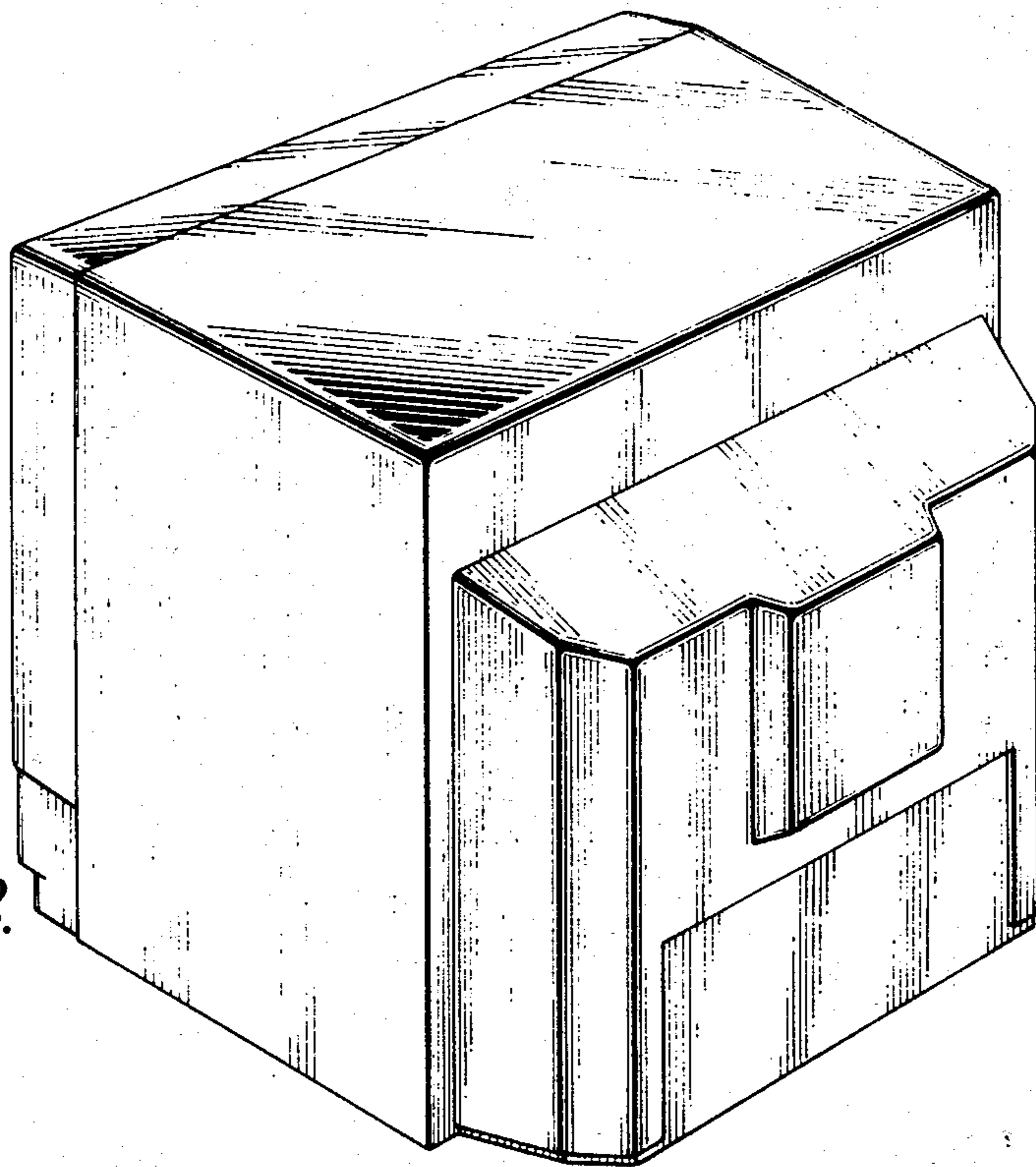
FIG. 3 is a front elevational view thereof;

FIG. 4 is a side elevational view thereof, the opposite side being a mirror image.

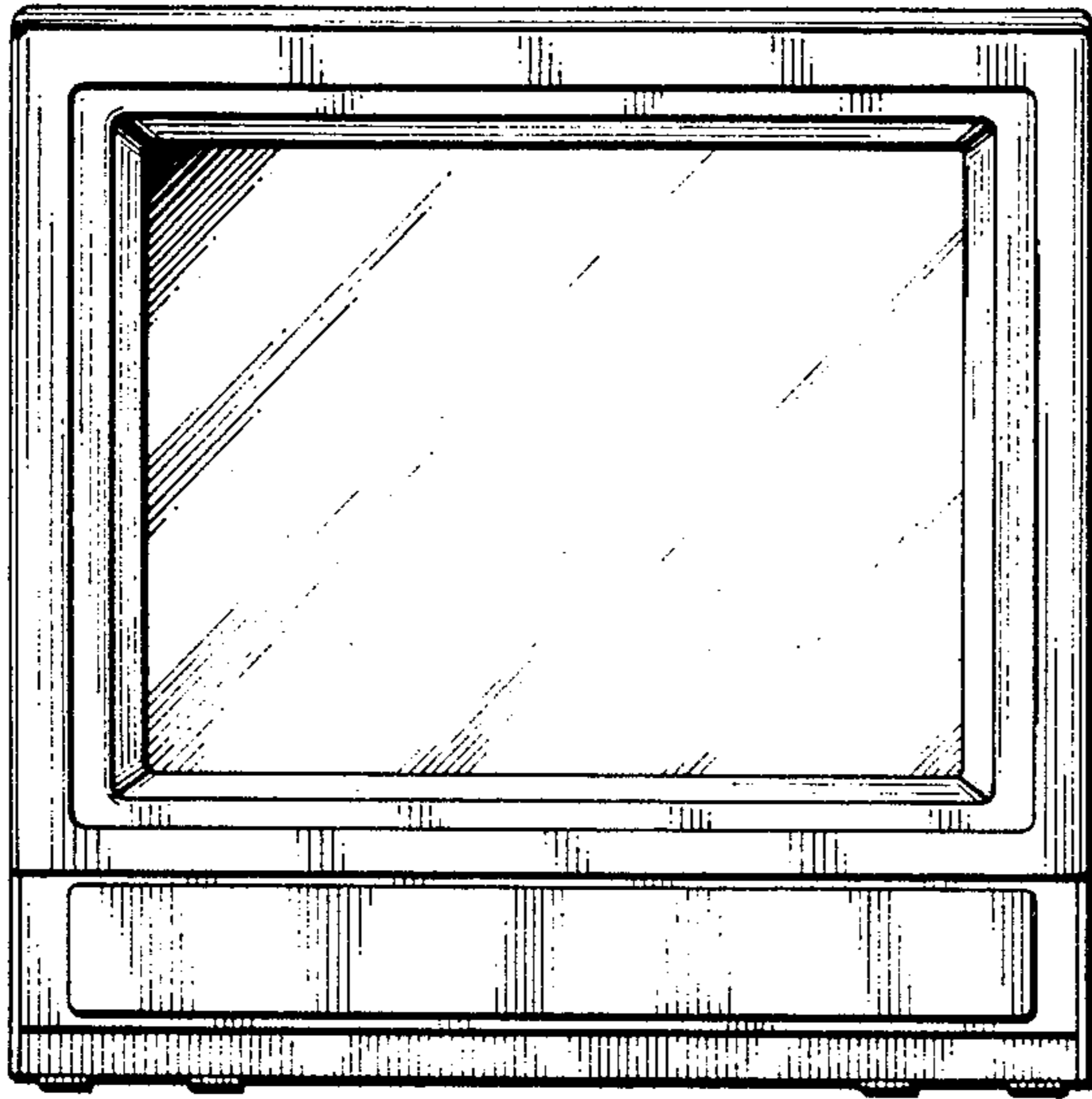




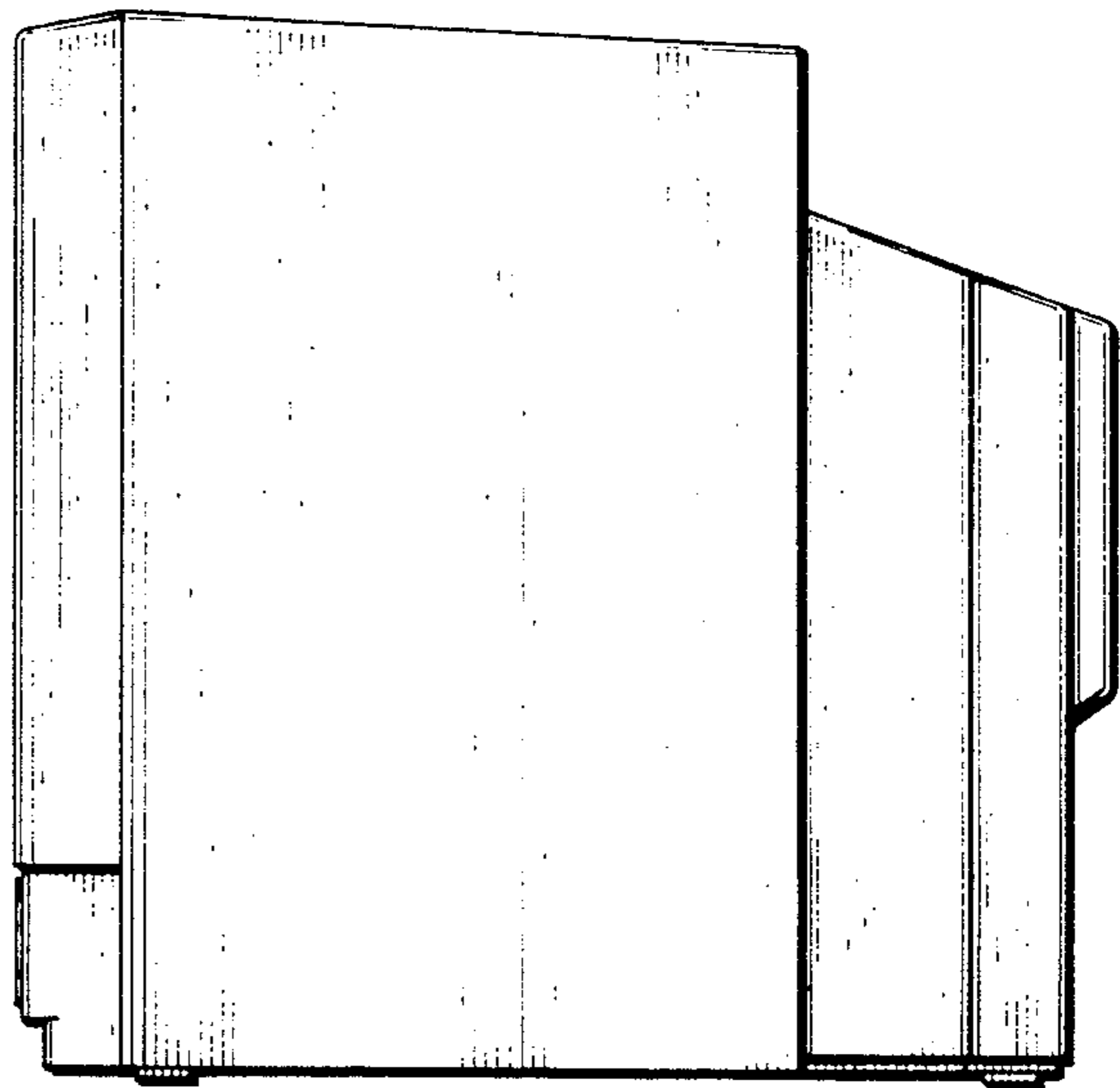
*Fig. 1.*



*Fig. 2.*



*Fig. 3.*



*Fig. 4.*