

[54] POWER SUPPLY FOR A MICROWAVE RECEIVER

[75] Inventor: Ty S. Bowers, Phoenix, Ariz.

[73] Assignees: Yancey D. Sexton, Phoenix; Daystar, Inc., Glendale, both of Ariz.

[**] Term: 14 Years

[21] Appl. No.: 598,702

[22] Filed: Apr. 10, 1984

[52] U.S. Cl. D14/90; D14/99

[58] Field of Search D14/99, 1, 90, 84, 85; 343/850, 876, 907

[56] References Cited

U.S. PATENT DOCUMENTS

- D. 235,779 7/1975 Barr D14/1
- D. 250,025 10/1978 Stout D14/96

OTHER PUBLICATIONS

Radio Shack, 1983 catalog No. 354, p. 72, top left of page, Regulated 12 V DC Supply.
Heath Kit, 1976 catalog No. 808, p. 70, bottom right of page, HW 202 AC Power Supply.

Primary Examiner—Bernard Ansher
Assistant Examiner—Theodore M. Shooman
Attorney, Agent, or Firm—Herbert E. Haynes, Jr.

[57] CLAIM

The ornamental design for a power supply for a microwave receiver, as shown.

DESCRIPTION

FIG. 1 is a top, front and left side perspective view of a power supply for a microwave receiver showing my new design.

FIG. 2 is a front elevational view thereof.

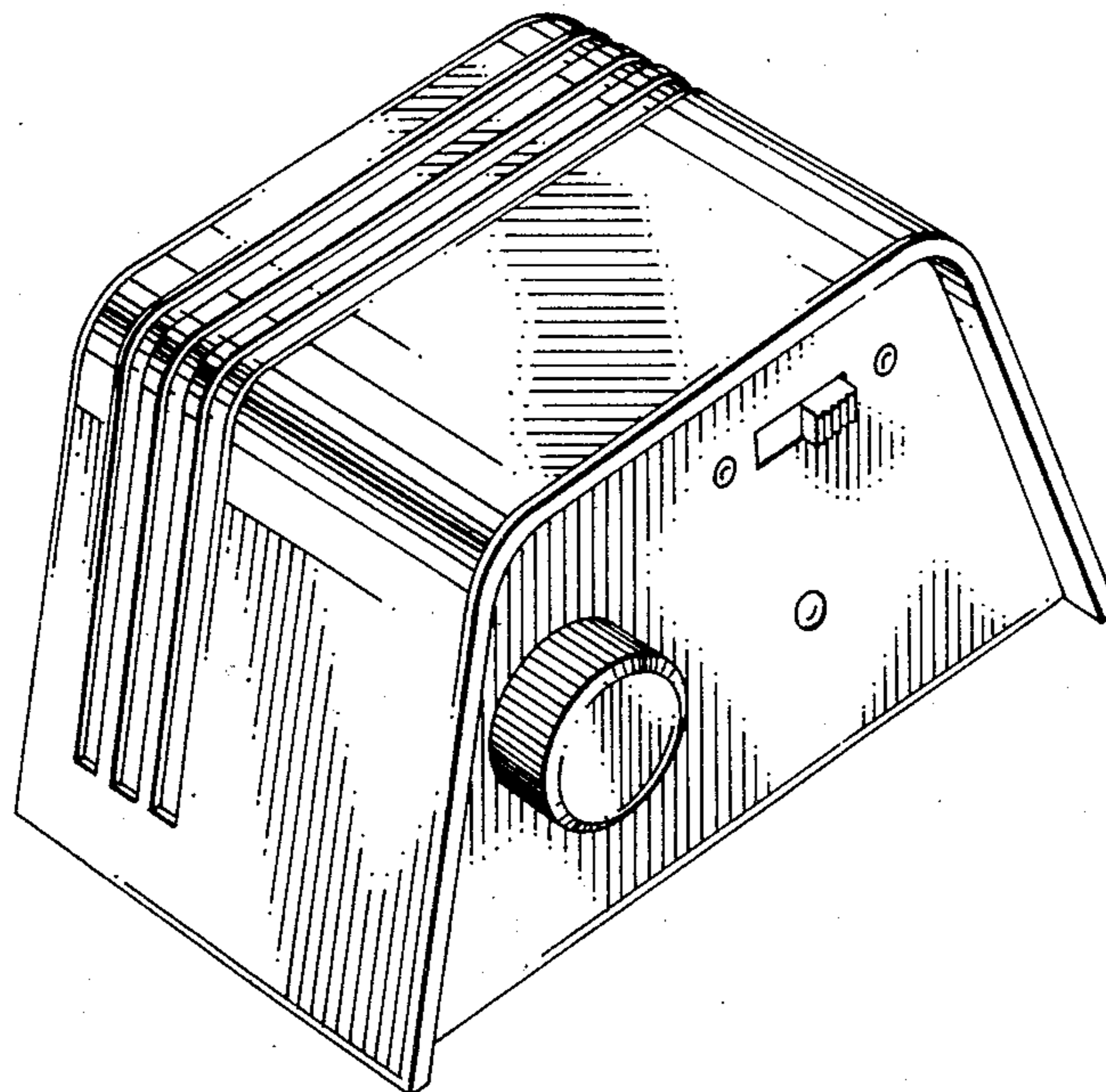
FIG. 3 is a rear elevational view thereof.

FIG. 4 is a left side elevational view thereof.

FIG. 5 is a right side elevational view thereof.

FIG. 6 is a top plan view thereof.

FIG. 7 is a bottom plan view thereof.



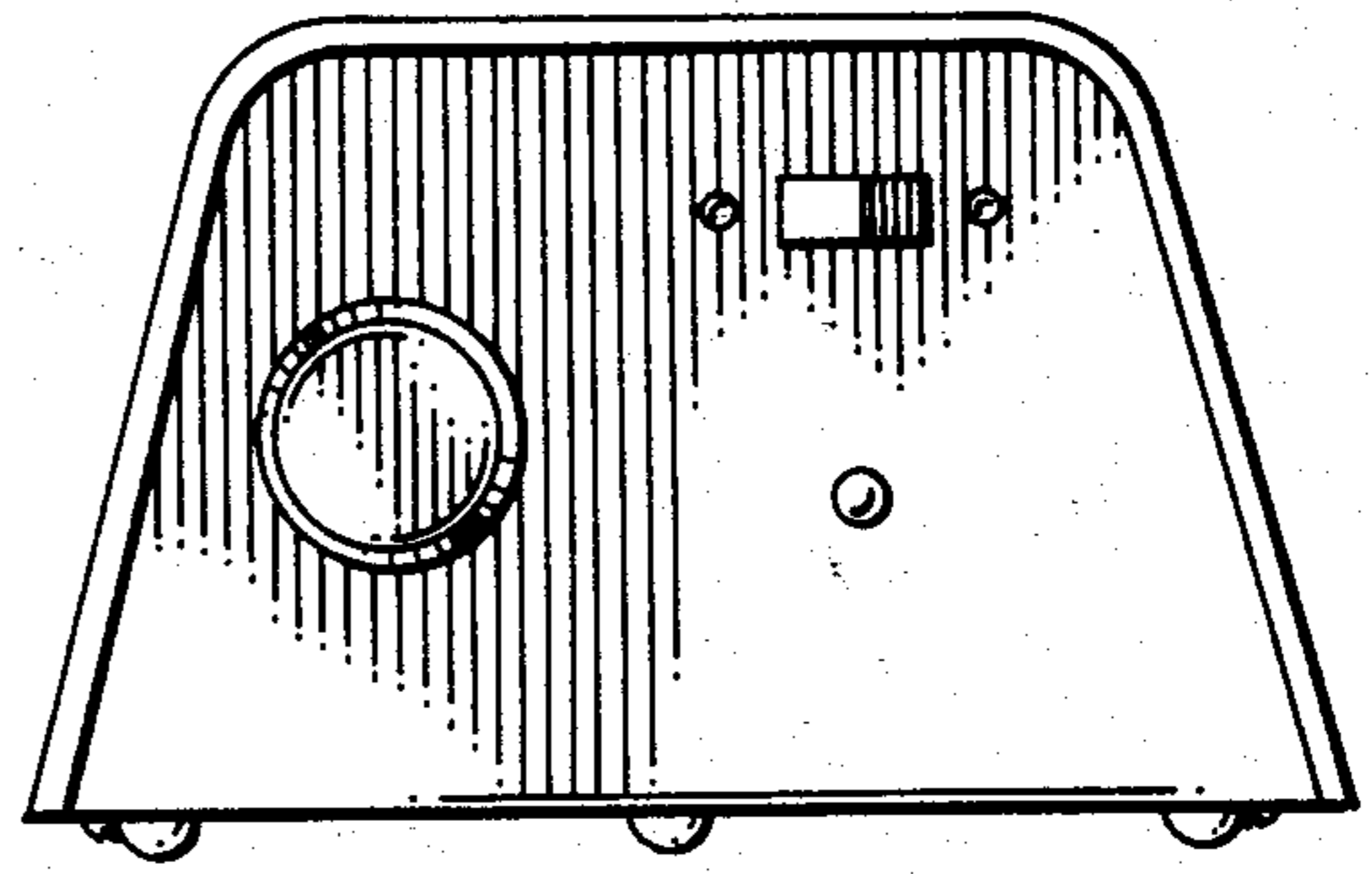
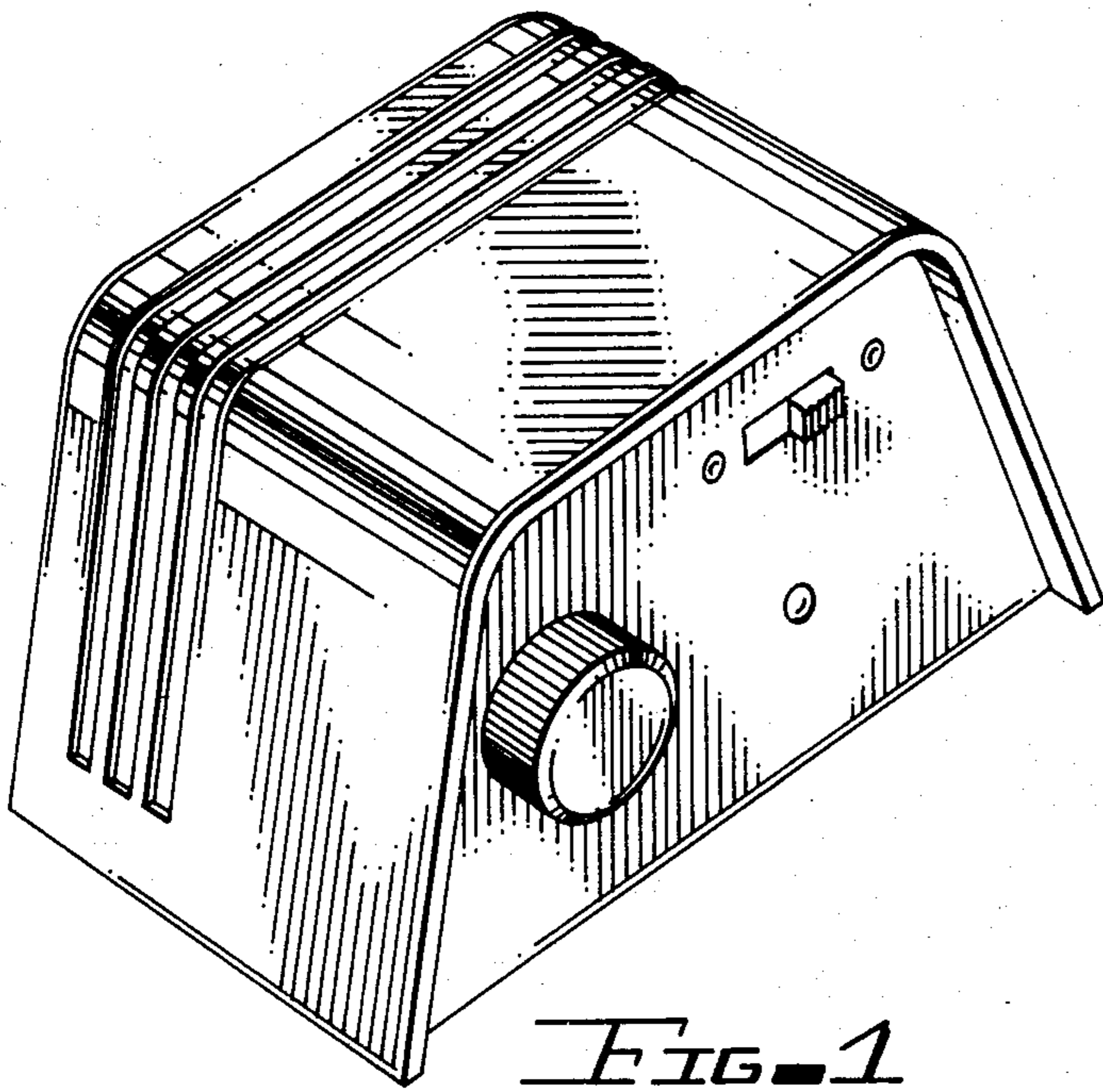


FIG. 2

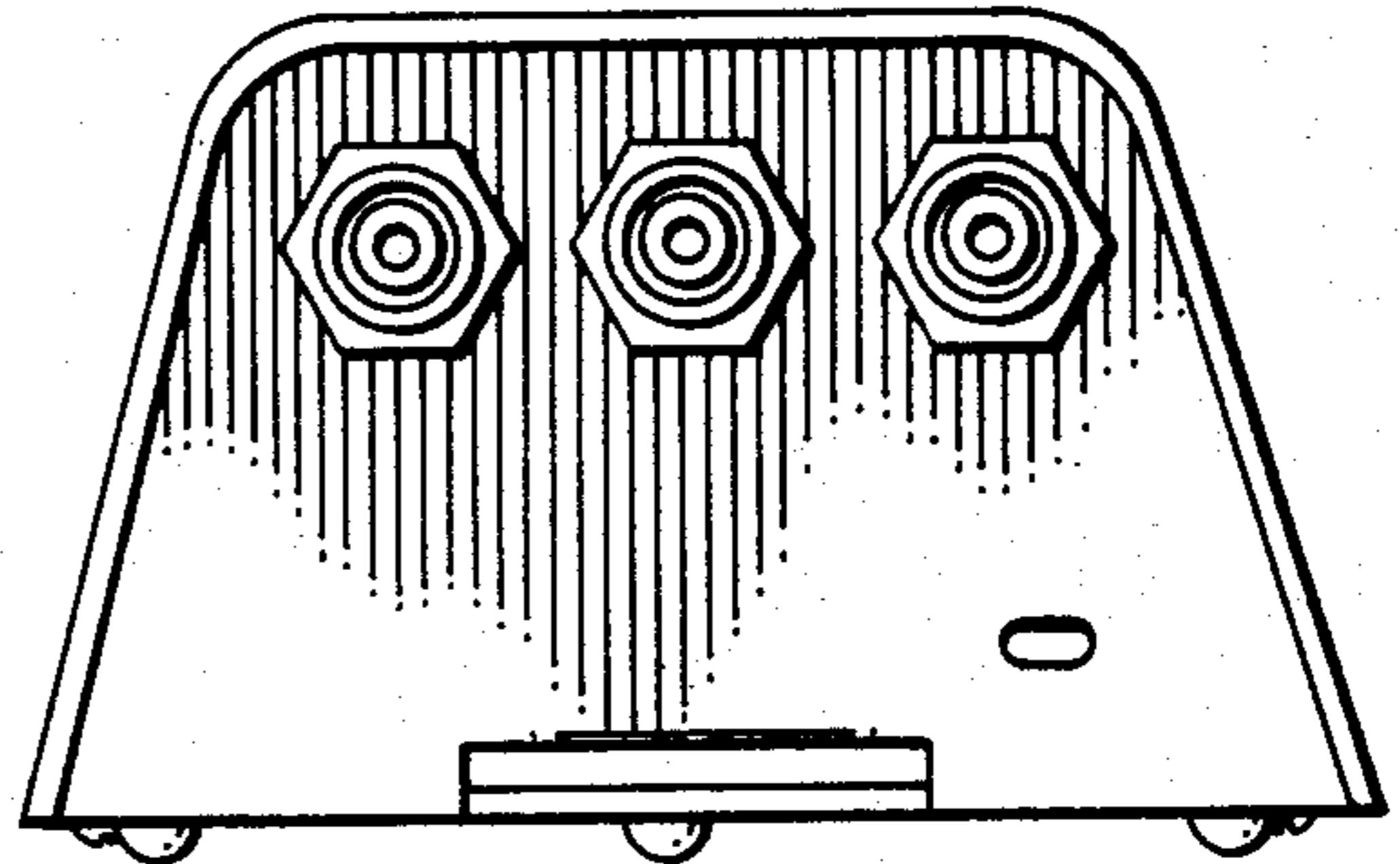


FIG. 3

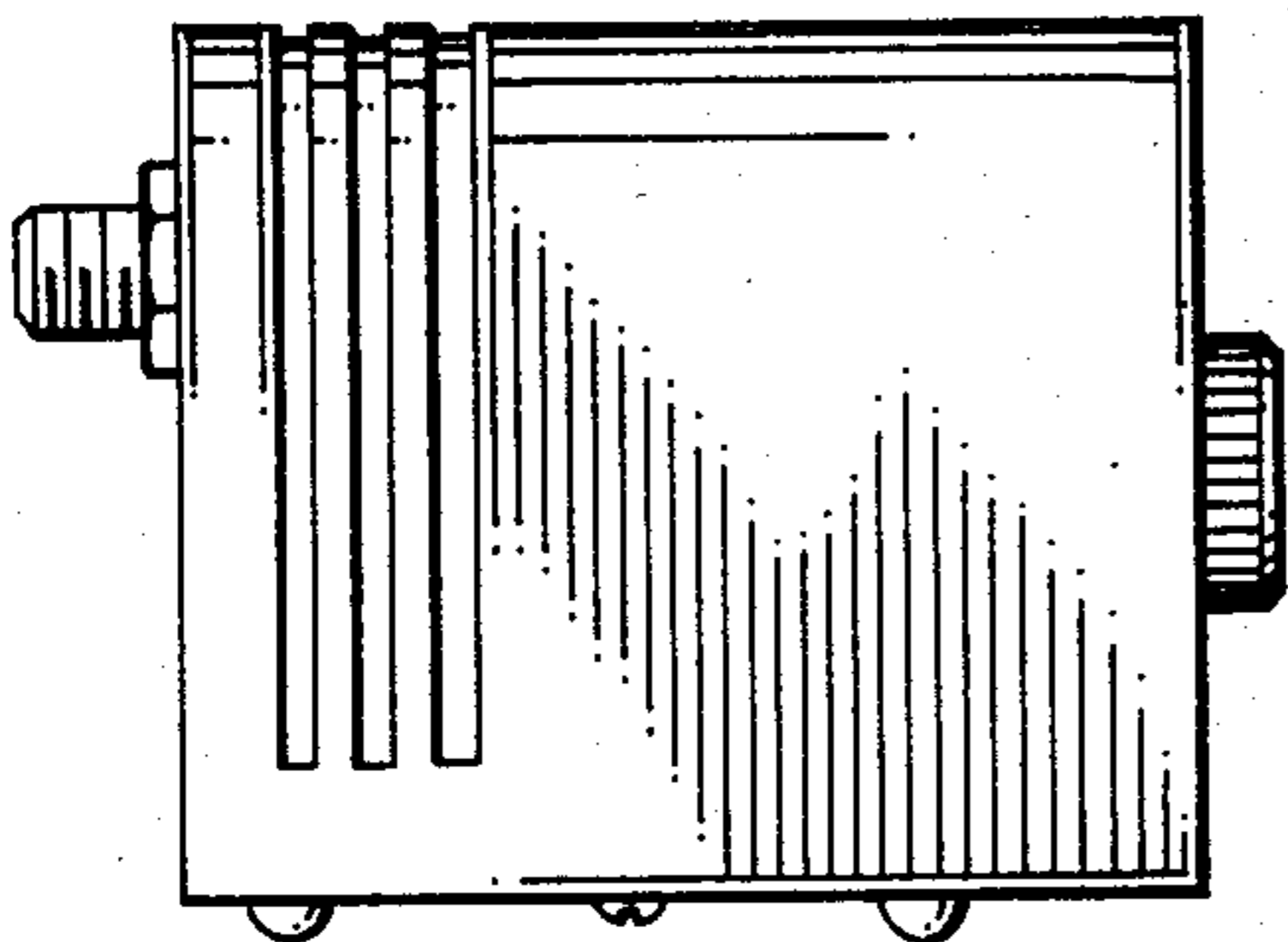


FIG. 4

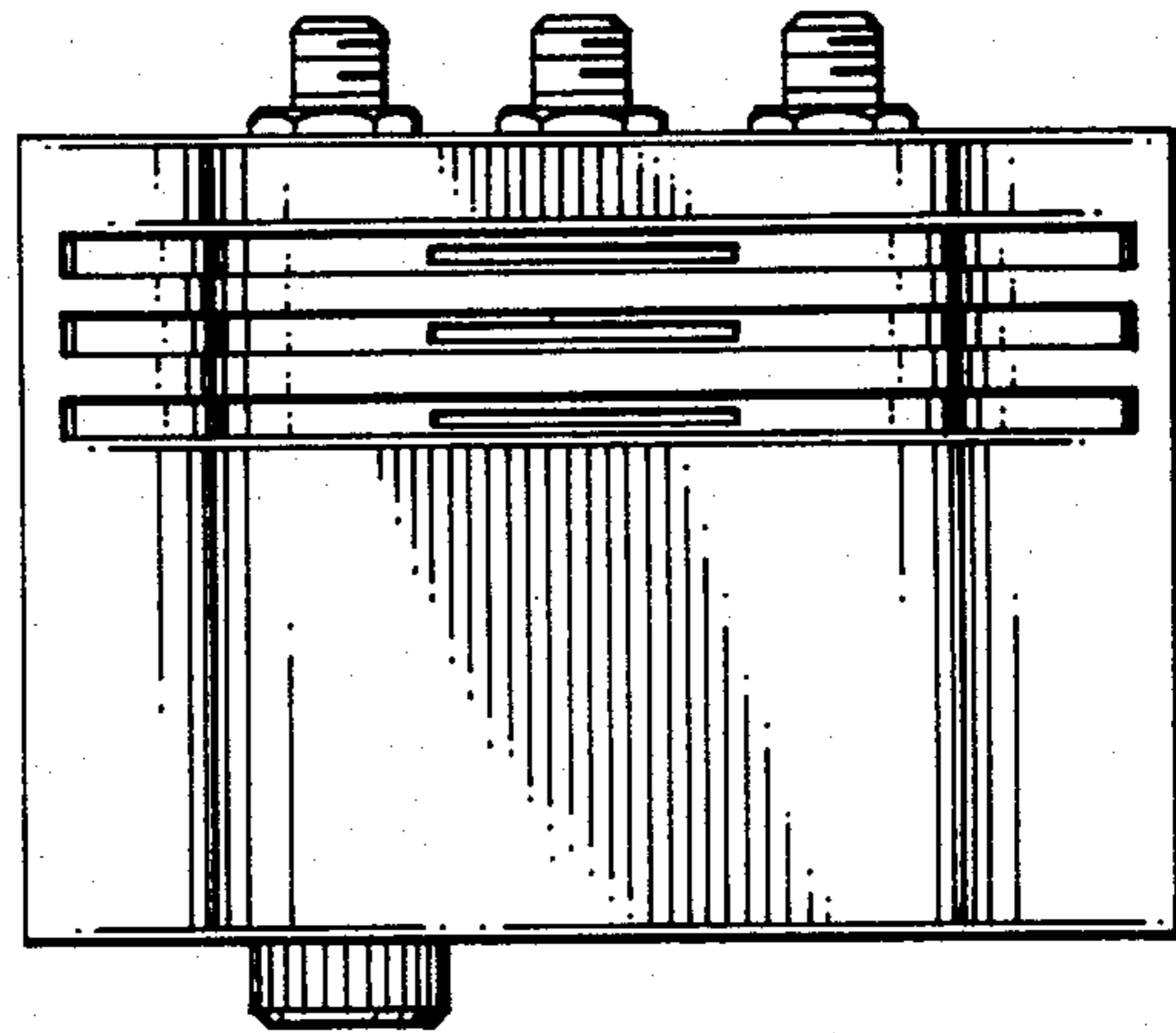


FIG. 6

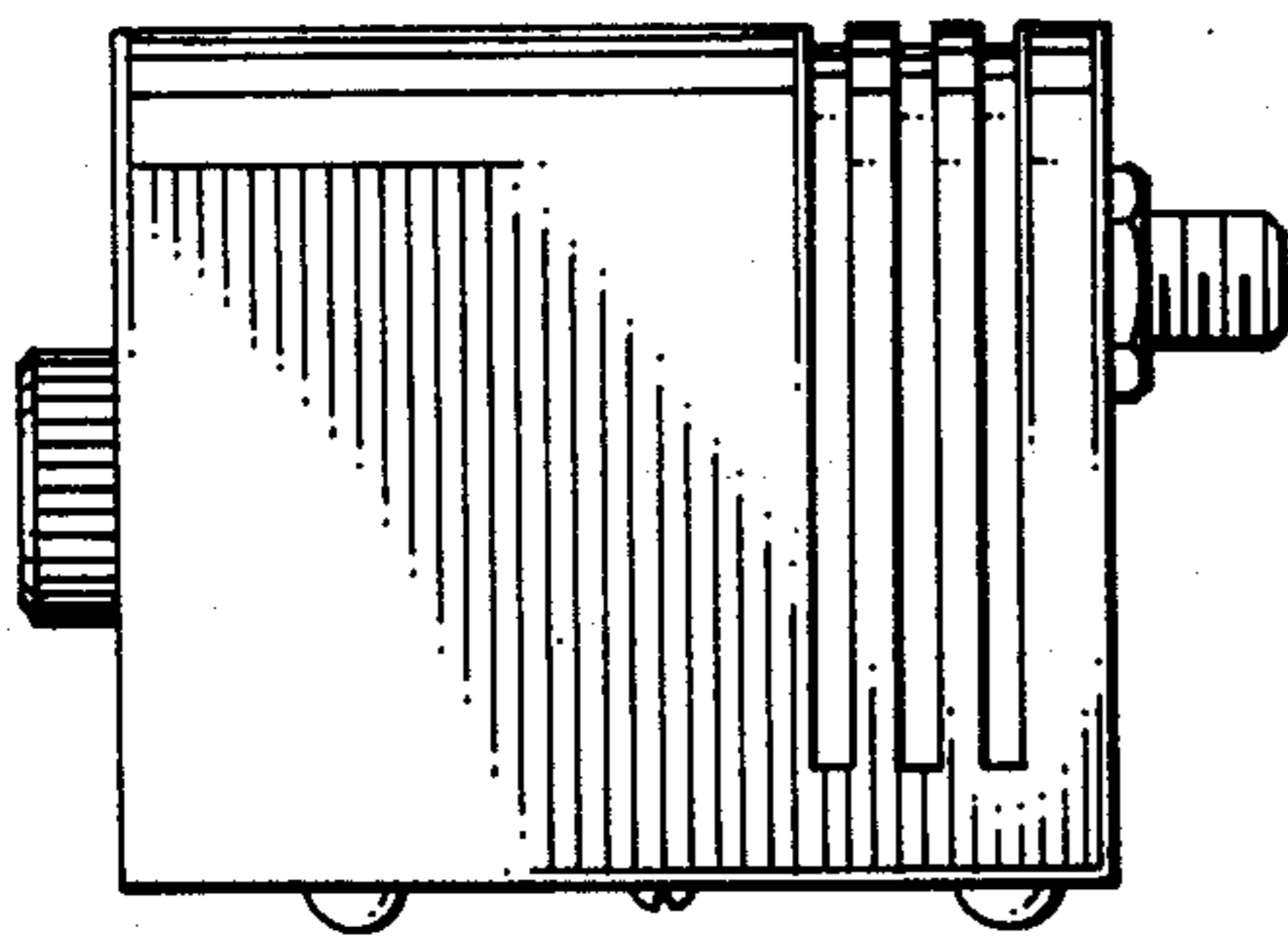


FIG. 5

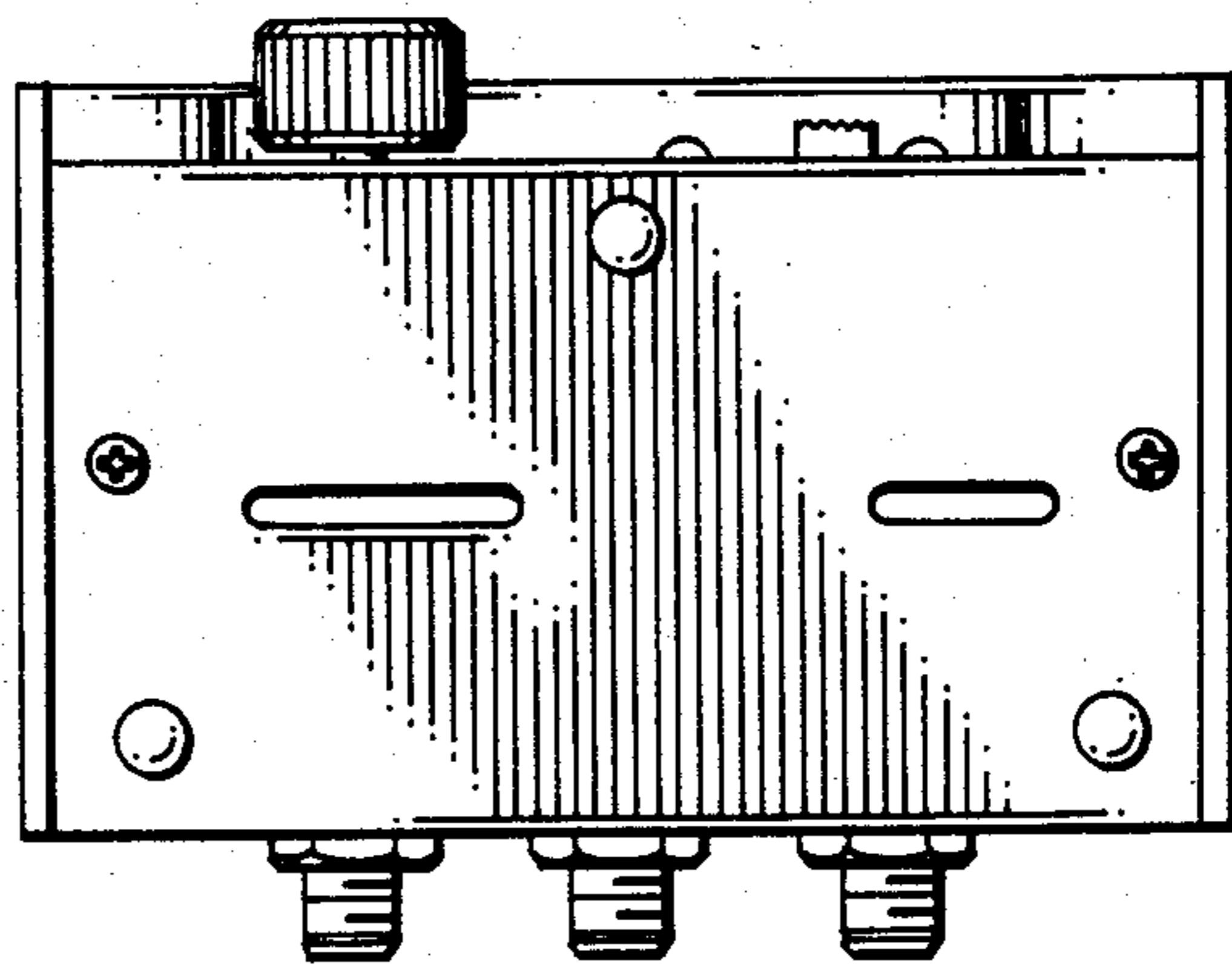


FIG. 7