

United States Patent [19]

Busse

[11] Patent Number: **Des. 289,386**

[45] Date of Patent: **** Apr. 21, 1987**

[54] **WEIGHING SCALE**

4,457,385 7/1984 Provi 177/256 X
4,479,562 10/1984 Mairot 177/256

[75] Inventor: **Rido Busse**, Elchingen, Fed. Rep. of Germany

[73] Assignee: **Soehnle-Waagen GmbH & Co.**, Murrhardt, Fed. Rep. of Germany

[**] Term: **14 Years**

[21] Appl. No.: **648,860**

[22] Filed: **Sep. 7, 1984**

[30] **Foreign Application Priority Data**

Mar. 22, 1984 [DE] Fed. Rep. of Germany GRII495/84

[52] U.S. Cl. **D10/92**

[58] Field of Search D10/87-94;
177/177, 239, 256, DIG. 3

[56] **References Cited**

U.S. PATENT DOCUMENTS

D. 251,235 3/1979 Joss D10/91
4,082,153 4/1978 Provi 177/177

OTHER PUBLICATIONS

Housewares-7/1/78-inside backcover-Scale at center.
Linens, Domestic & Bath-Jan./Feb. 1984-p. 30-Scales at left and center right.
Home Furn. Daily-7/27/81-p. 35-Scale at center.

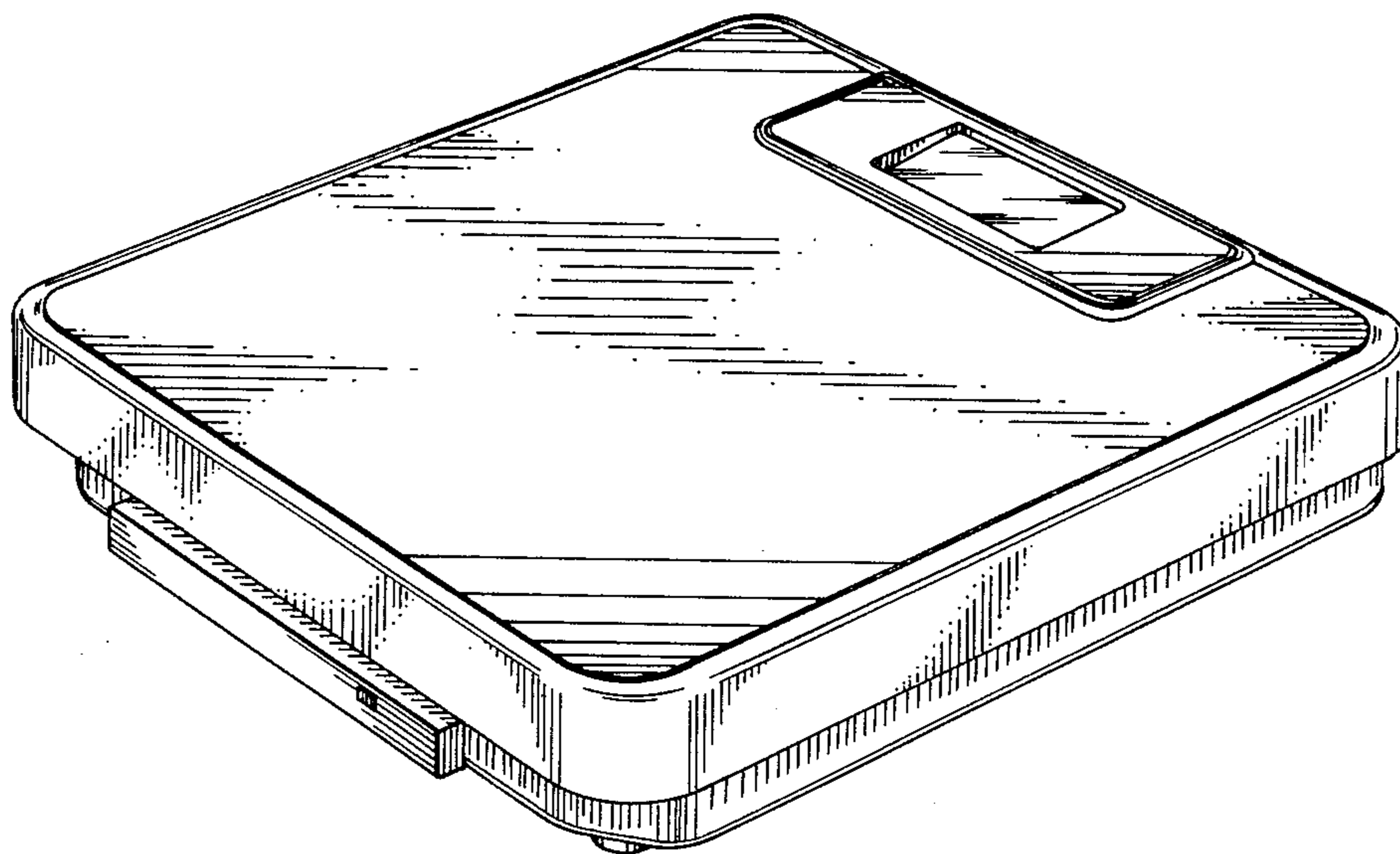
Primary Examiner-Nelson C. Holtje
Attorney, Agent, or Firm-Flynn, Thiel, Boutell & Tanis

[57] **CLAIM**

The ornamental design for a weighing scale, as shown and described.

DESCRIPTION

FIG. 1 is a top plan view of the weighing scale showing my new design;
FIG. 2 is a bottom plan view thereof;
FIG. 3 is a left side elevational view thereof, the right side elevational view being a mirror image thereof;
FIG. 4 is a front side elevational view thereof;
FIG. 5 is a rear side elevational view thereof; and
FIG. 6 is a top and right front perspective view thereof.



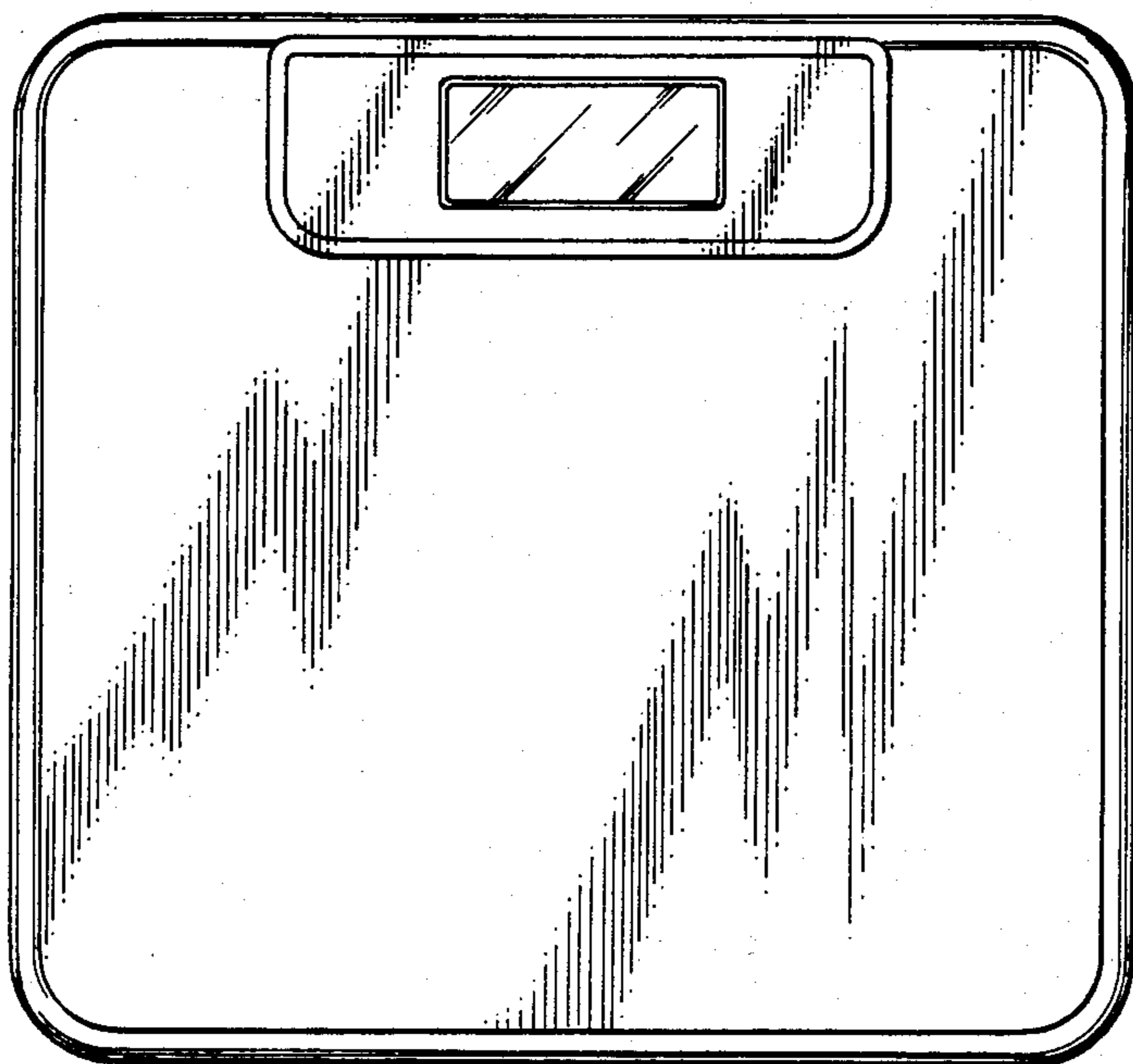


FIG. 1

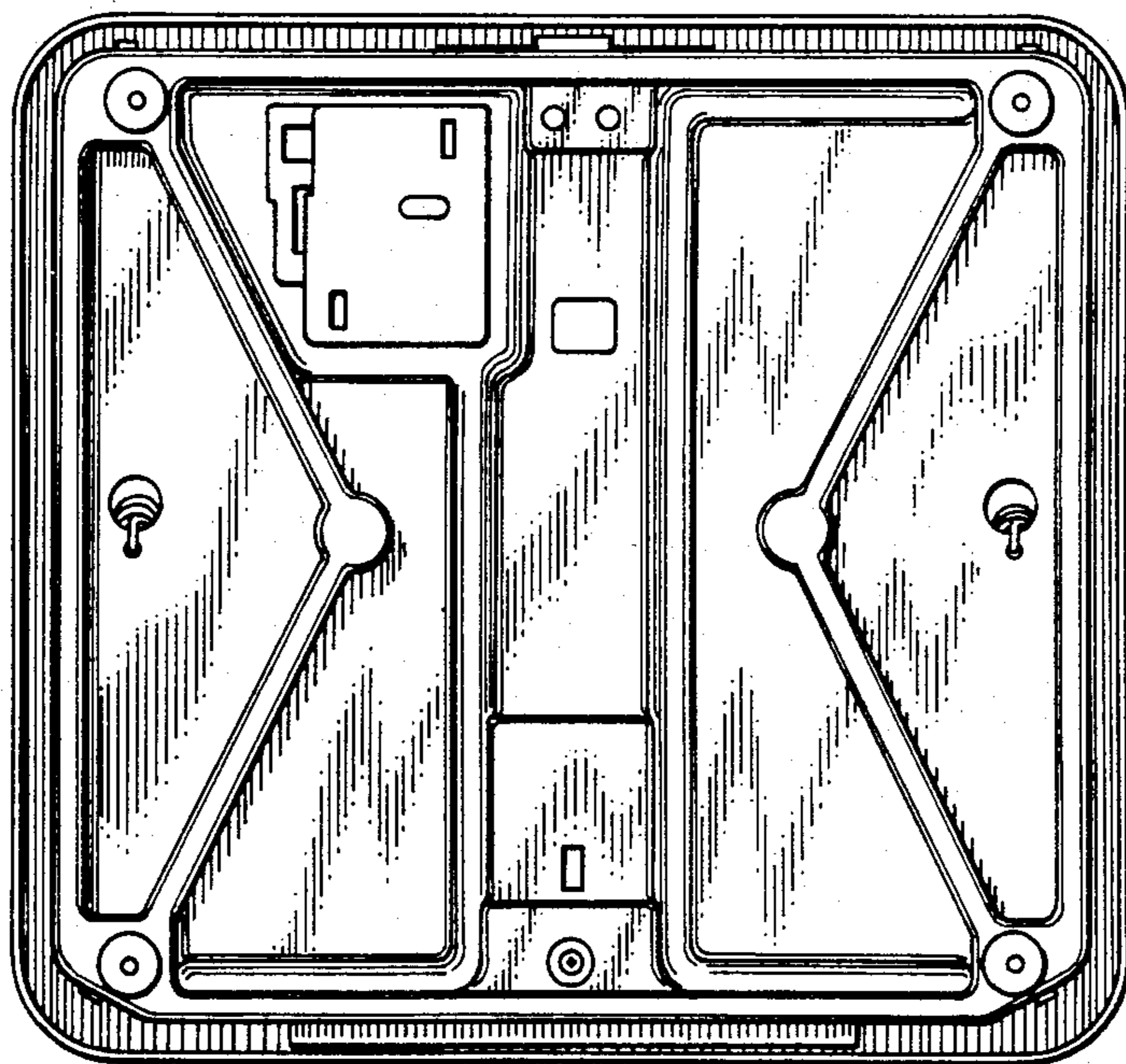


FIG. 2

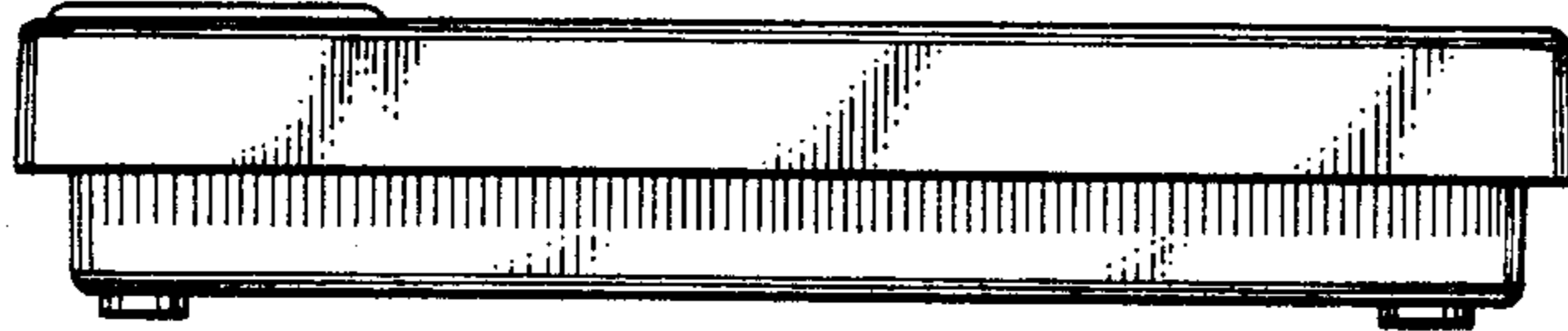


FIG. 3

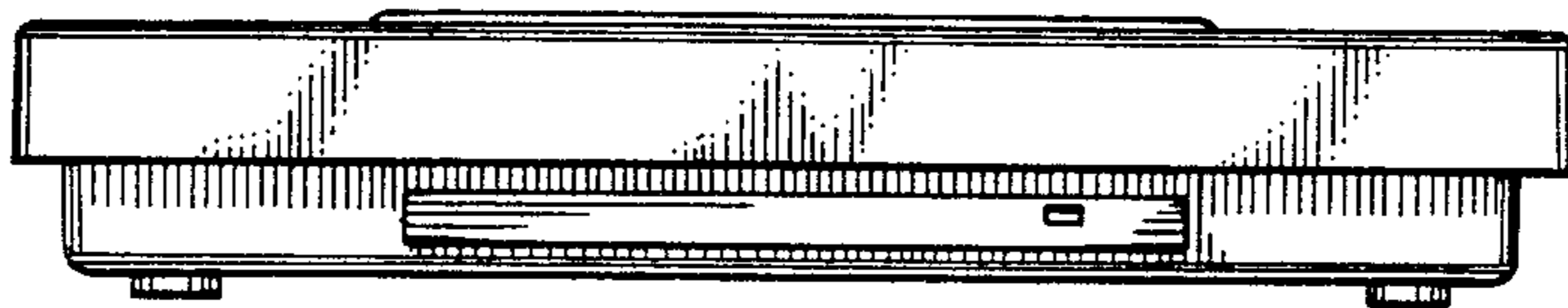


FIG. 4

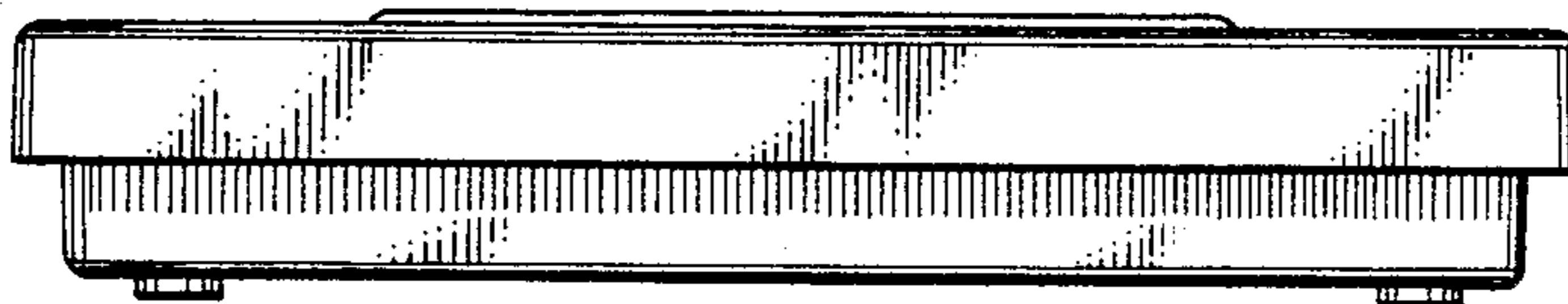


FIG. 5

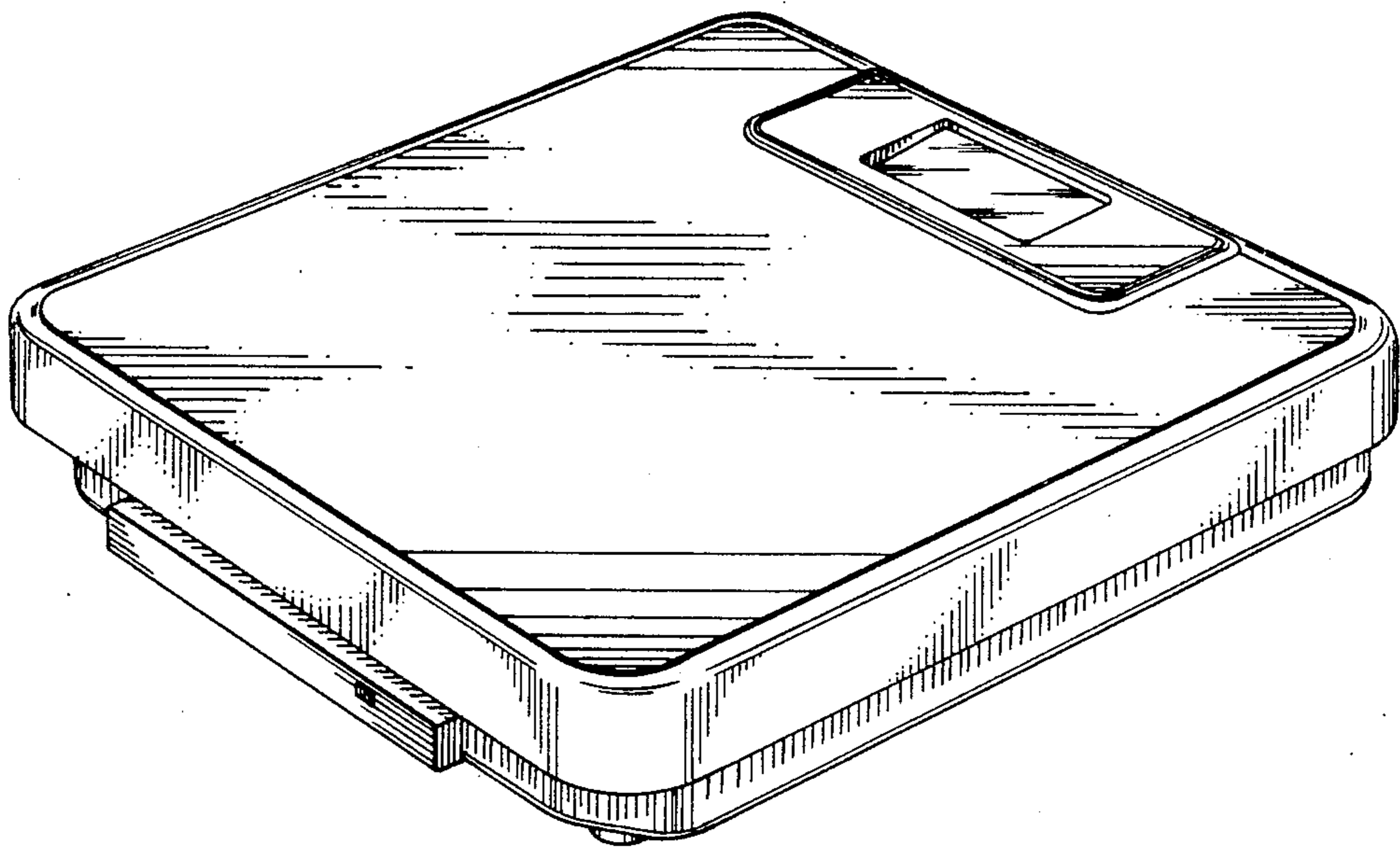


FIG. 6