

United States Patent [19]

Porter

[11] Patent Number: **Des. 289,382**

[45] Date of Patent: **** Apr. 21, 1987**

[54] **SAW GUIDE**

[76] Inventor: **Roy L. Porter, 1520 McCracken La., Mt. Carmel, Tenn. 37642**

[**] Term: **14 Years**

[21] Appl. No.: **634,533**

[22] Filed: **Jul. 26, 1984**

[52] U.S. Cl. **D10/65**

[58] Field of Search **D10/62, 64, 65, 71; 33/178 D, 185, 418, 422-423, 465, 471**

[56] **References Cited**

U.S. PATENT DOCUMENTS

129,311	7/1872	Biggs	33/418 X
842,999	2/1907	Calhoon	33/423 X
1,451,572	4/1923	Green	33/423
1,944,812	1/1934	Sandell	33/424
2,208,804	6/1980	Lundin	33/418
3,009,251	11/1961	Schock	D10/65 X

3,672,065 6/1972 Voss 33/185 R

FOREIGN PATENT DOCUMENTS

2823407 12/1979 Fed. Rep. of Germany 33/424
20173 of 1904 United Kingdom 33/418

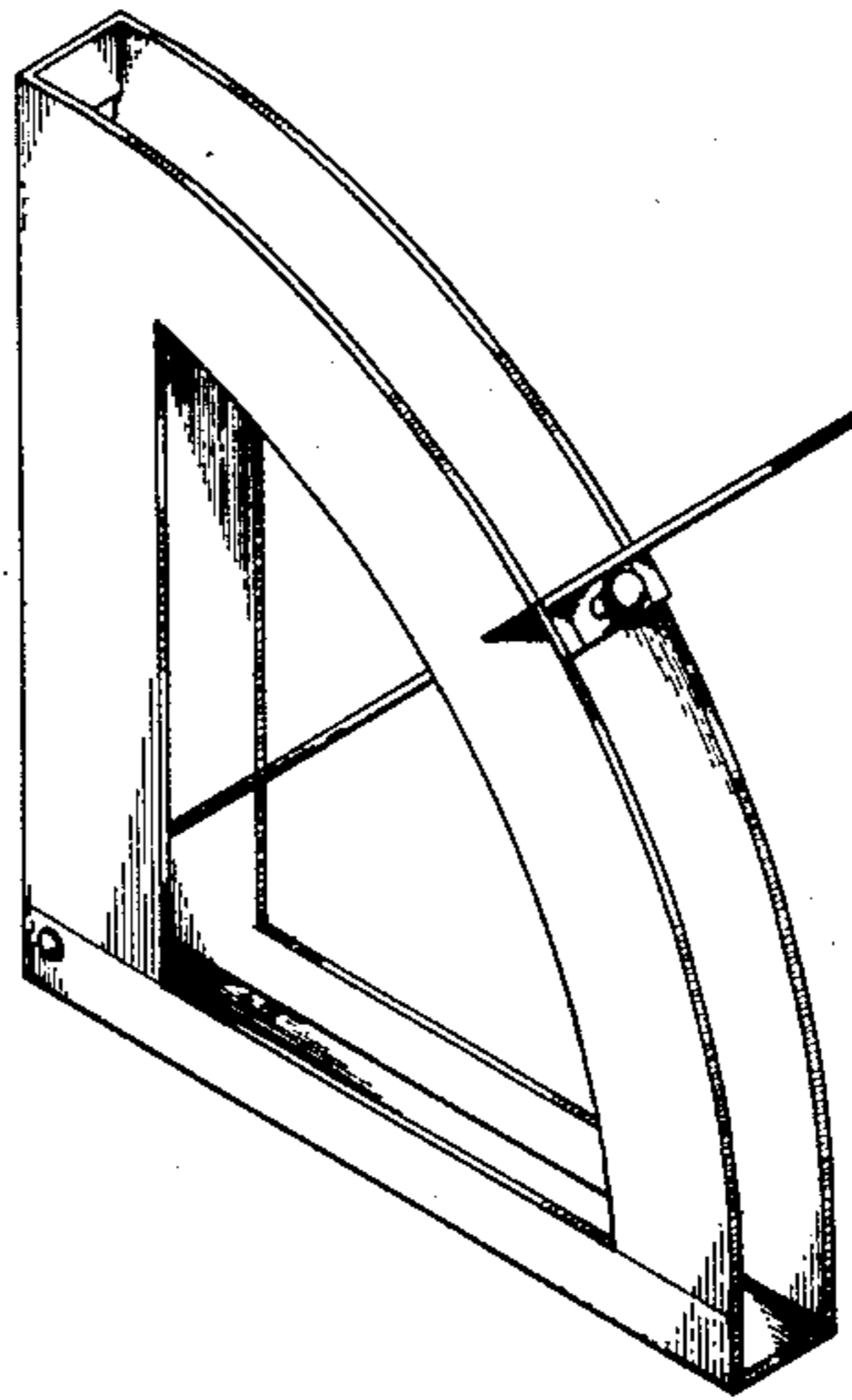
Primary Examiner—Nelson C. Holtje
Attorney, Agent, or Firm—R. Laddie Taylor

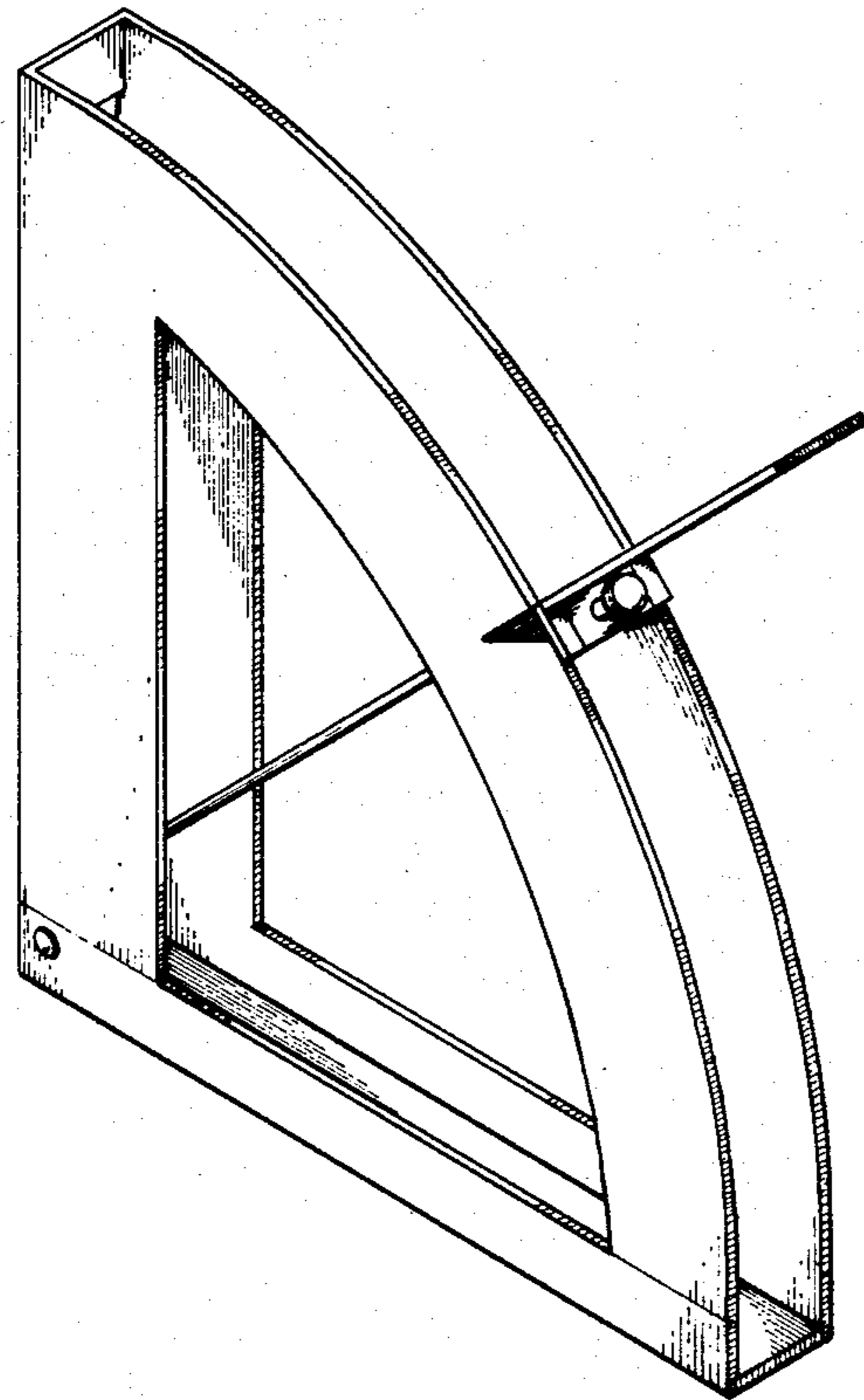
[57] **CLAIM**

The ornamental design for a saw guide, as shown and described.

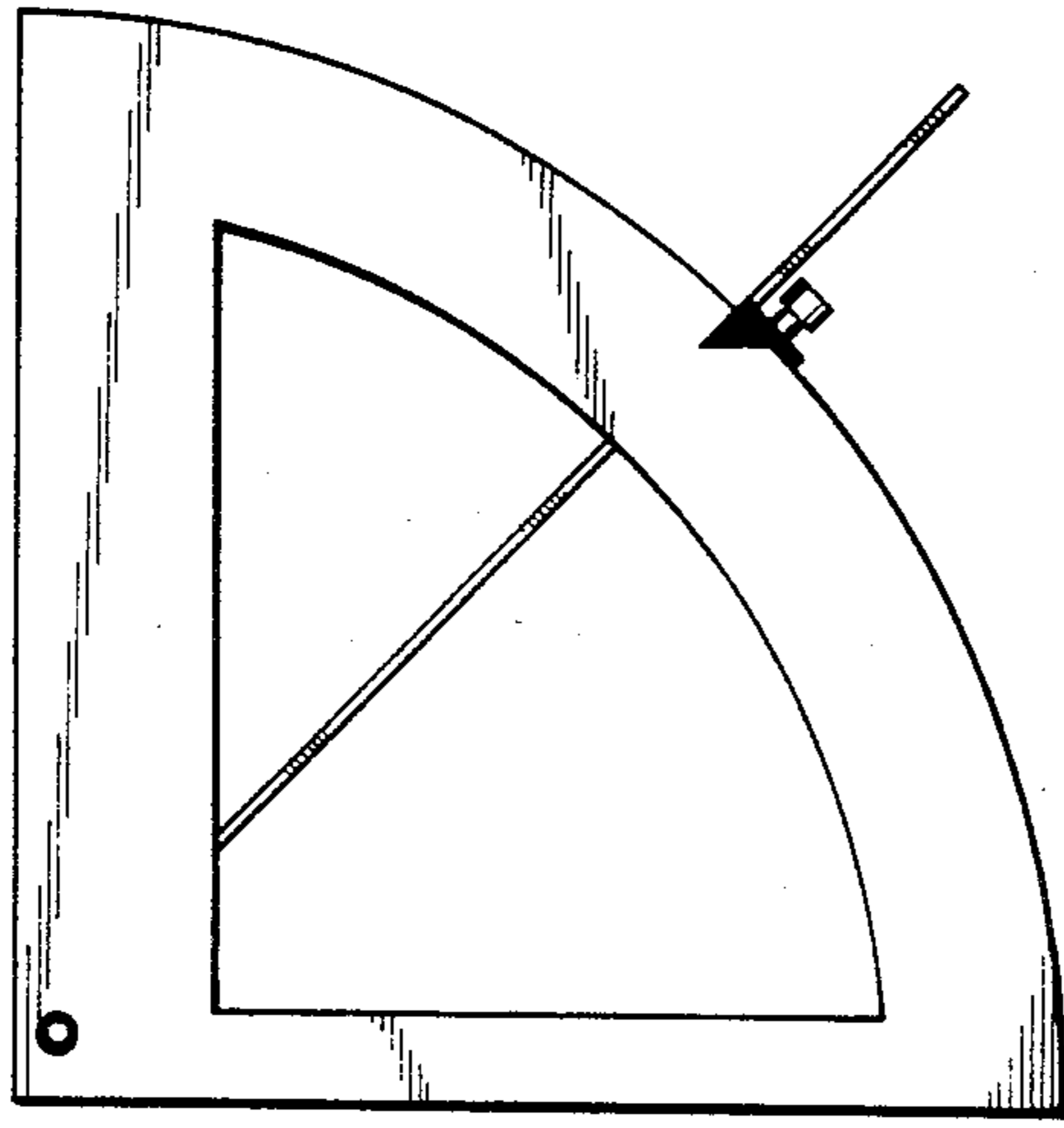
DESCRIPTION

FIG. 1 is a top and right front isometric view of a saw guide showing my new design, with the movable tongue set in a central position;
FIG. 2 is a front elevational view thereof;
FIG. 3 is a front elevational view thereof, with the tongue set in a horizontal position;
FIG. 4 is a right side elevational view of FIG. 3.

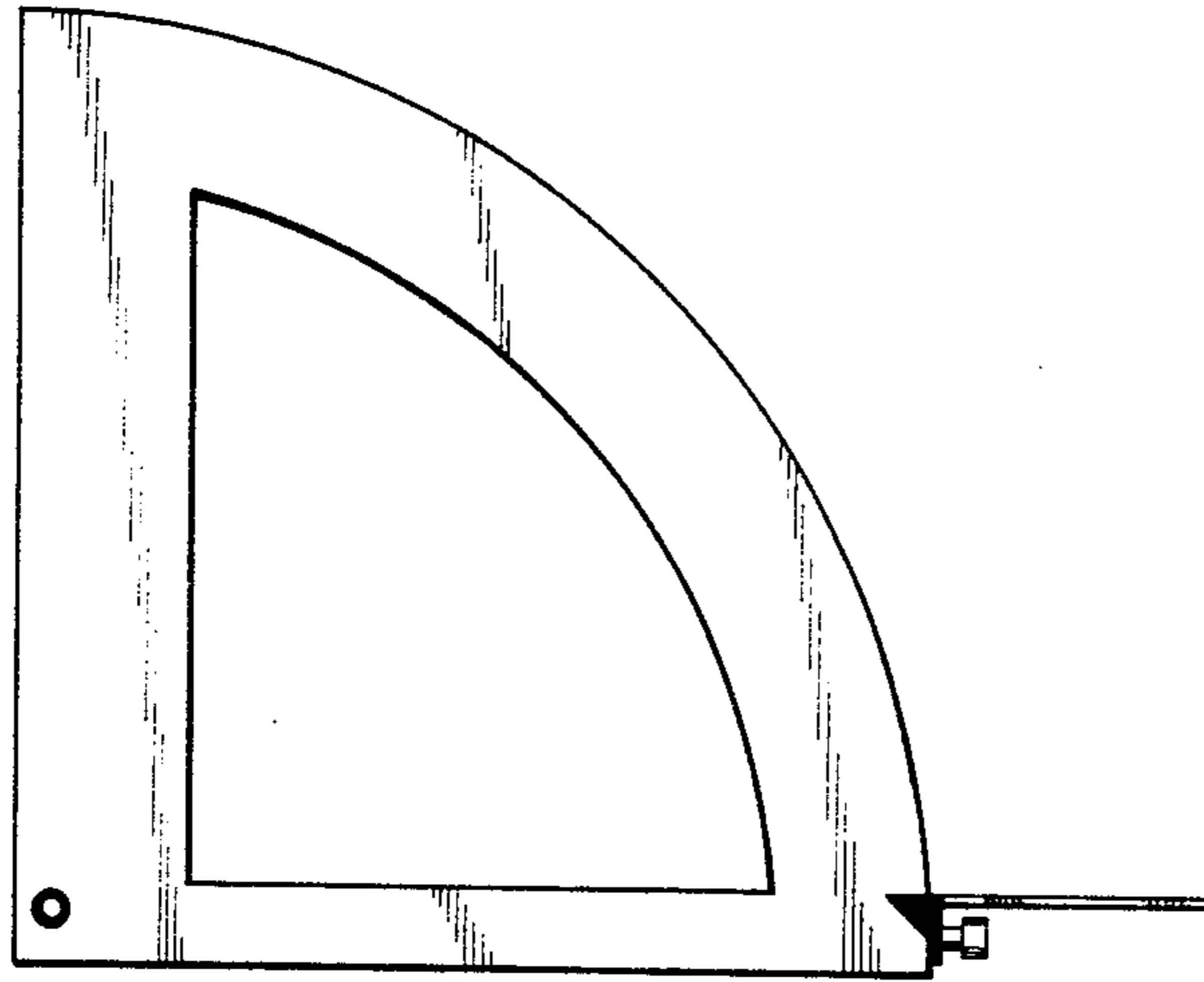




· Fig. 1 ·



· Fig. 2 ·



· Fig. 3 ·



· Fig. 4 ·