

[54] KITE RETRIEVER

[75] Inventor: Woodroe C. Nicholson, Lakefield, Canada

[73] Assignee: B-Woodie Limited, Peterborough, Canada

[**] Term: 14 Years

[21] Appl. No.: 686,423

[22] Filed: Mar. 19, 1985

[30] Foreign Application Priority Data

Sep. 24, 1984 [CA] Canada 24-09-84-3

[52] U.S. Cl. D8/359

[58] Field of Search D8/358, 359; 244/155 R, 244/155 A; 242/96, 84.8; D21/90; D22/26

[56] References Cited

U.S. PATENT DOCUMENTS

- D. 154,424 7/1949 Oswald et al. D8/358
- D. 211,654 7/1968 Beiderwell D8/359

- D. 275,729 10/1984 Stoddard D8/359
- D. 278,881 5/1985 Nicholson D8/358
- 3,185,407 5/1965 Lightenstein 242/96
- 3,423,044 1/1969 Beiderwell 242/96
- 3,784,125 1/1974 Law et al. 242/96
- 3,815,843 6/1974 Fortune 242/96
- 4,461,438 7/1984 Pook et al. 244/155 R

Primary Examiner—Wallace R. Burke
Assistant Examiner—Horace B. Fay
Attorney, Agent, or Firm—Ridout & Maybee

[57] CLAIM

The ornamental design for a kite retriever, substantially as shown and described.

DESCRIPTION

FIG. 1 is a perspective view of a kite retriever showing my design as seen from the rear, top and one side thereof;
FIG. 2 is a view similar to FIG. 1 but as seen from the front, bottom and other side thereof;
FIG. 3 is a top plan view thereof; and
FIG. 4 is a front elevational thereof.

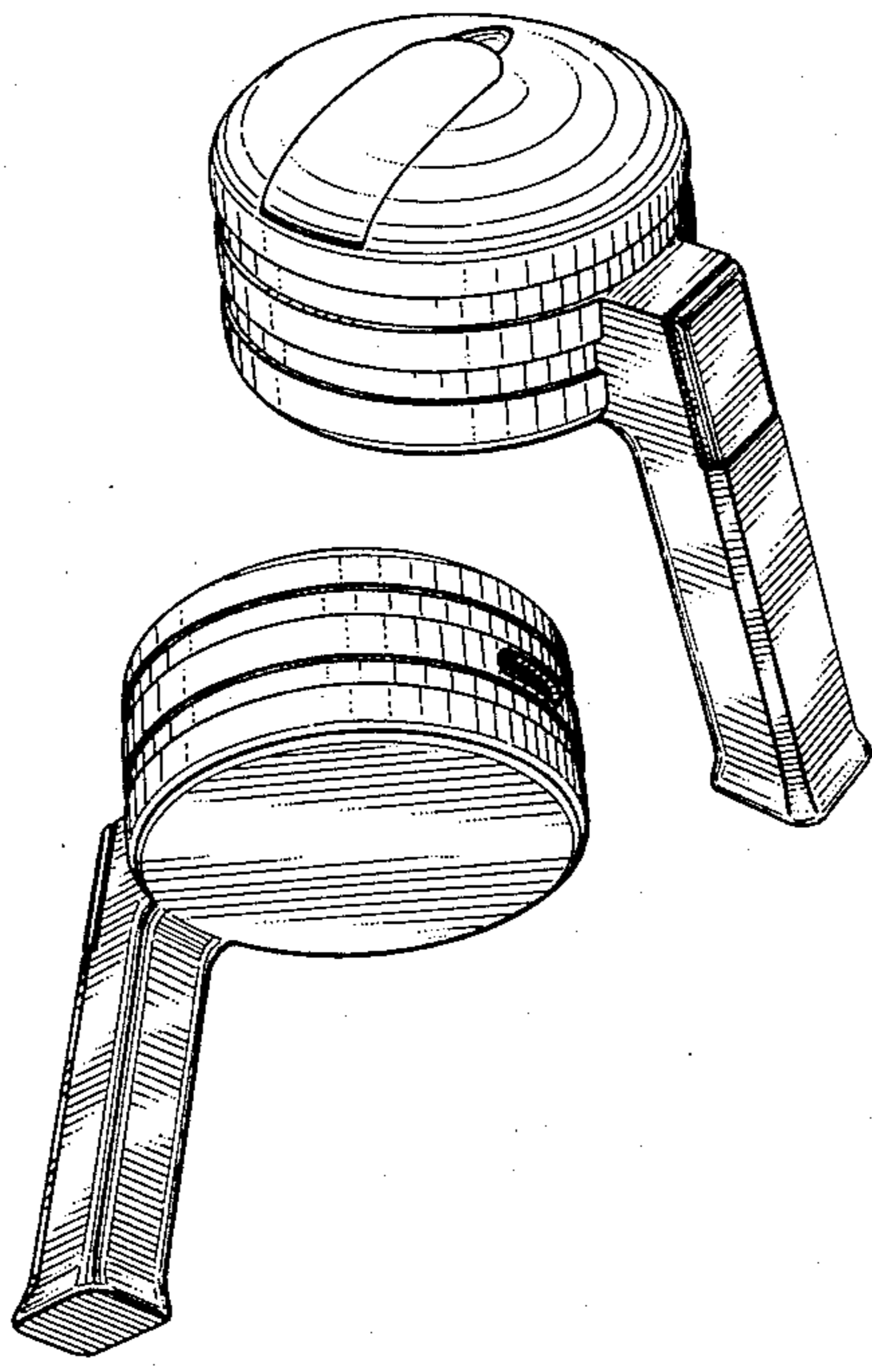


FIG. 1

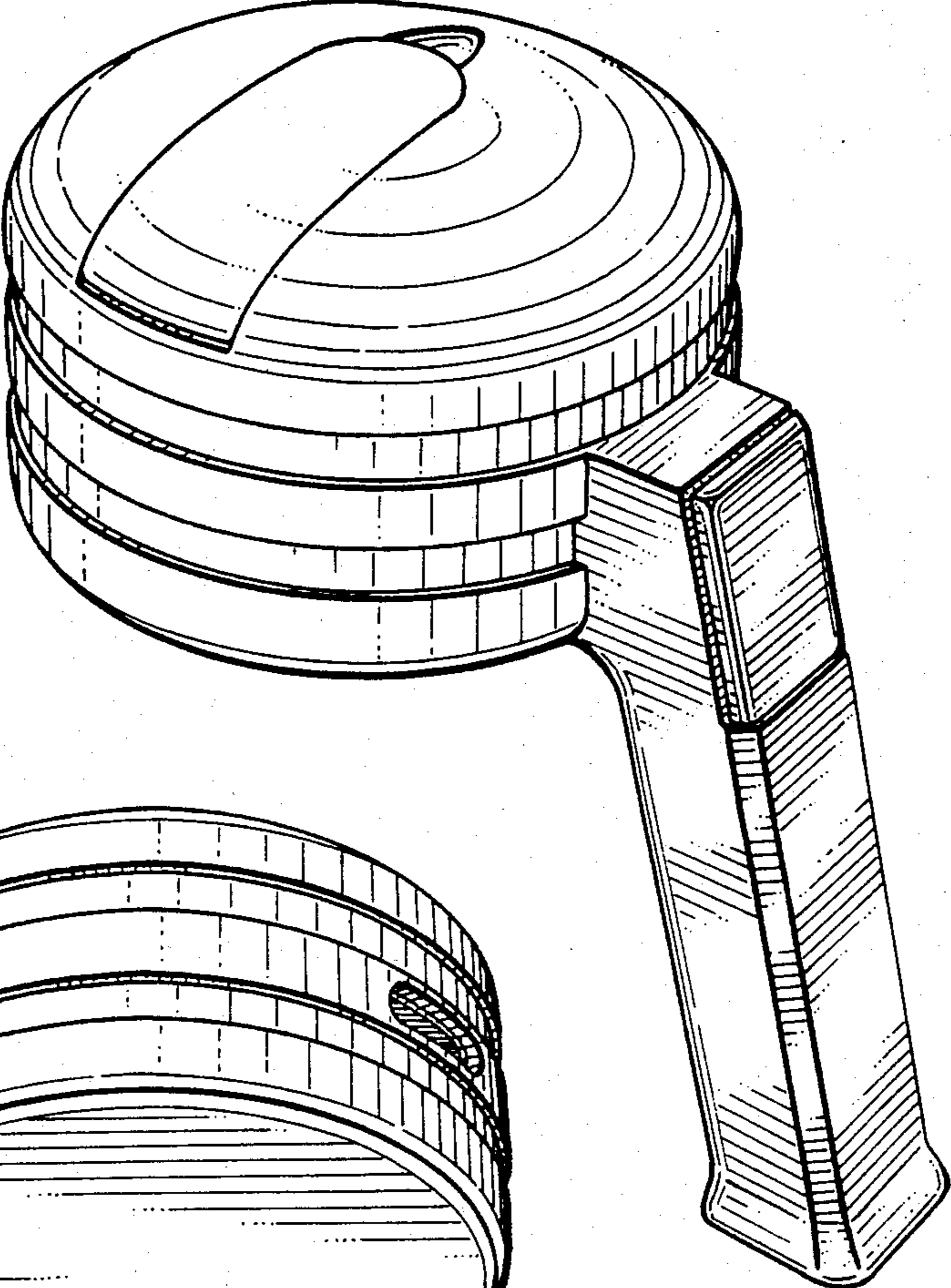
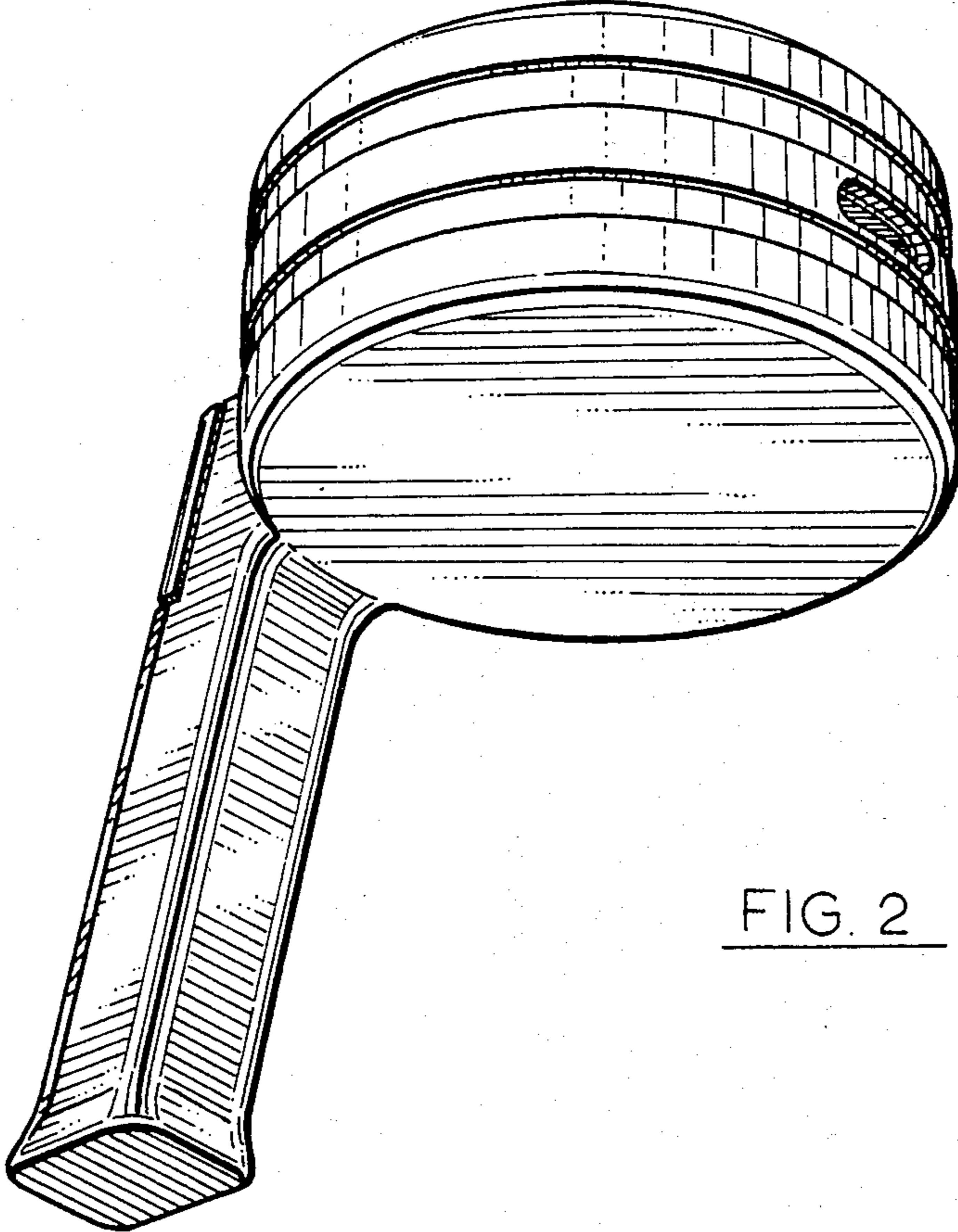


FIG. 2



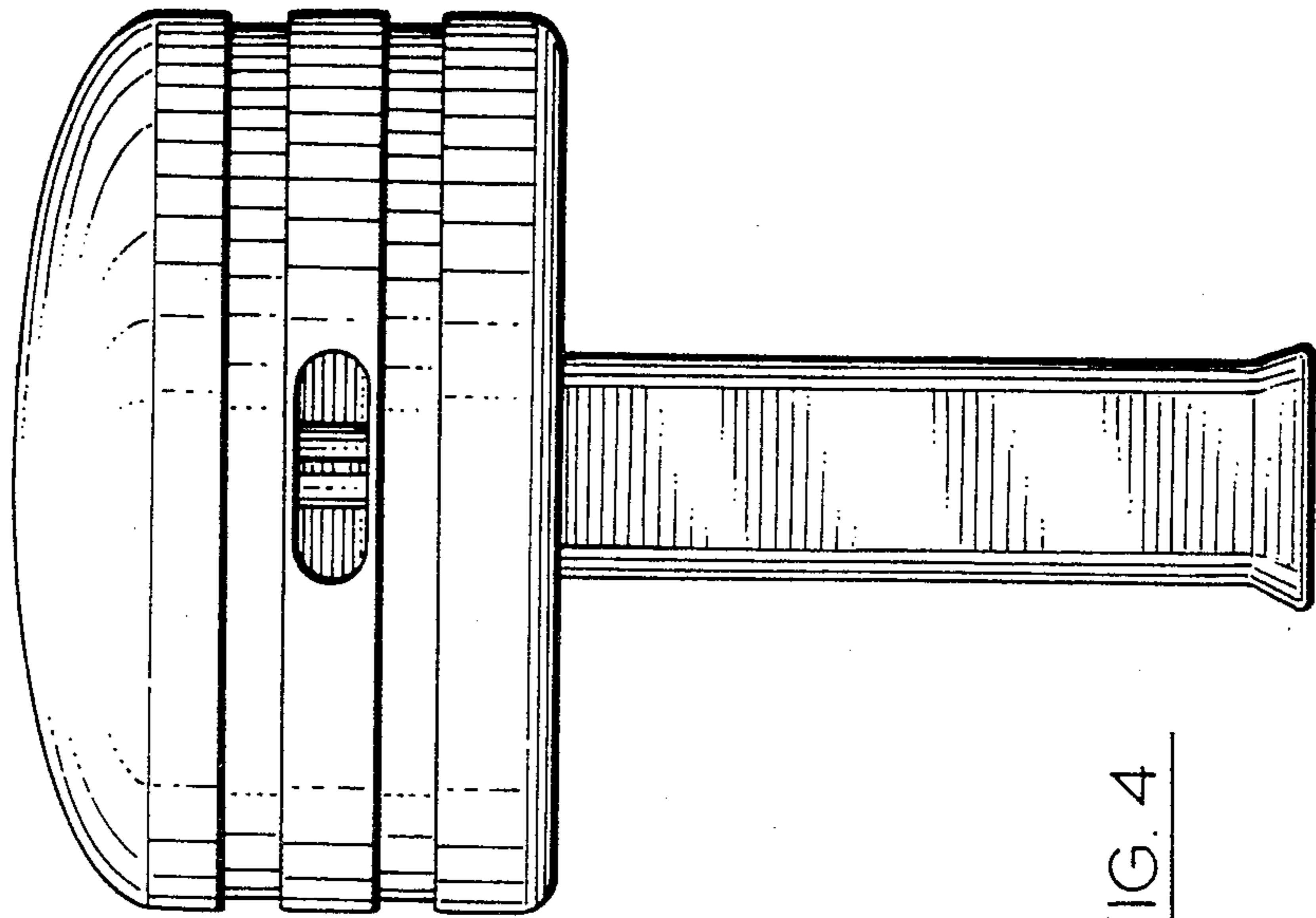


FIG. 4

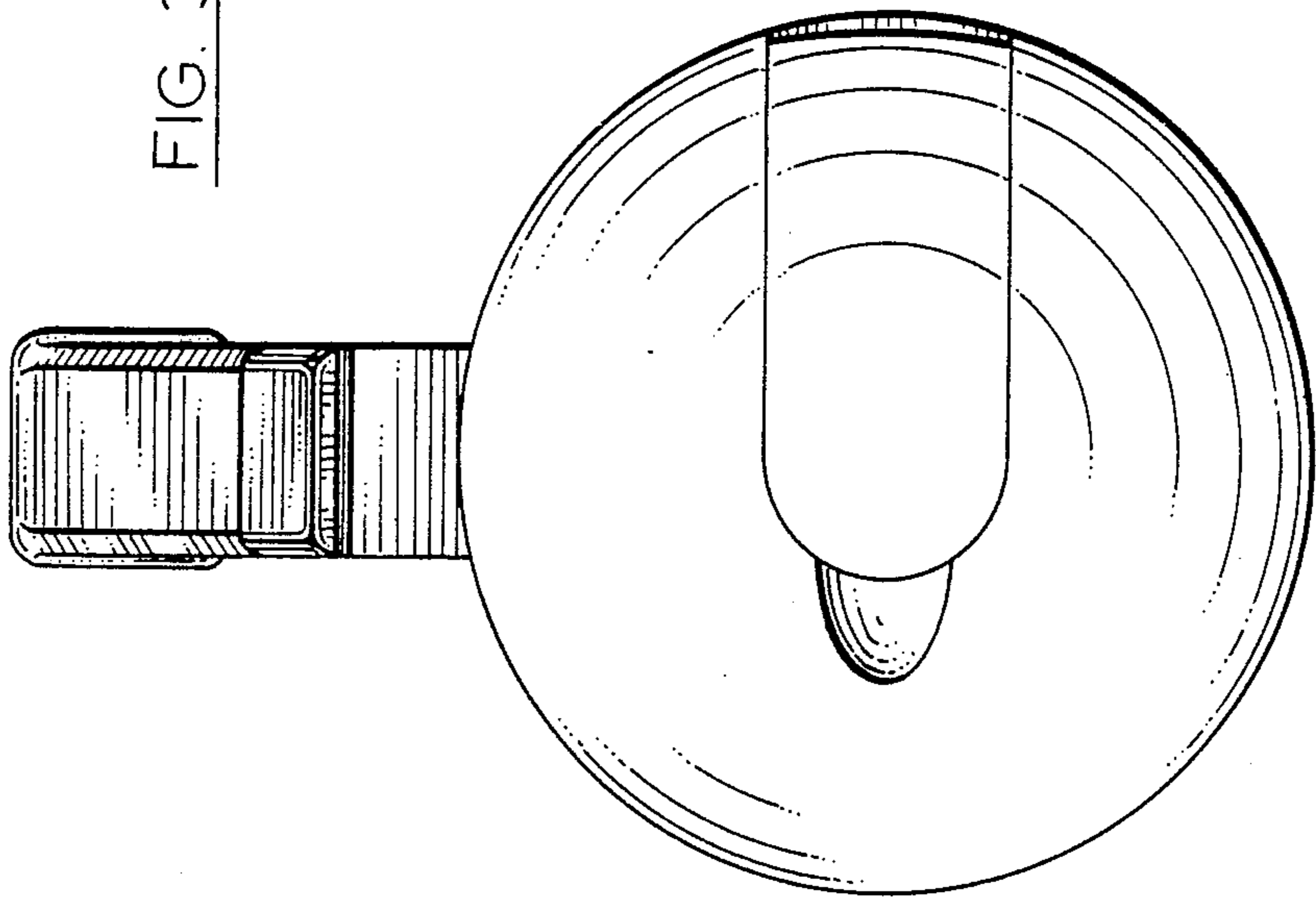


FIG. 3