

United States Patent [19]

Speizer

[11] Patent Number: **Des. 289,366**

[45] Date of Patent: **** Apr. 21, 1987**

[54] STAPLER

[76] Inventor: **Melvin Speizer, 395 Allwood Rd., Clifton, N.J. 07012**

[**] Term: **14 Years**

[21] Appl. No.: **577,078**

[22] Filed: **Feb. 6, 1984**

[52] U.S. Cl. **D8/49**

[58] Field of Search **D8/49, 50; 227/127, 227/128, 132**

2,936,456 5/1960 Ruskin 227/127 X
3,199,185 8/1965 Lash et al. 227/132 X

Primary Examiner—Bernard Ansher
Assistant Examiner—Terry Pfeffer
Attorney, Agent, or Firm—Melvin K. Silverman

[57] CLAIM

The ornamental design for a stapler, as shown and described.

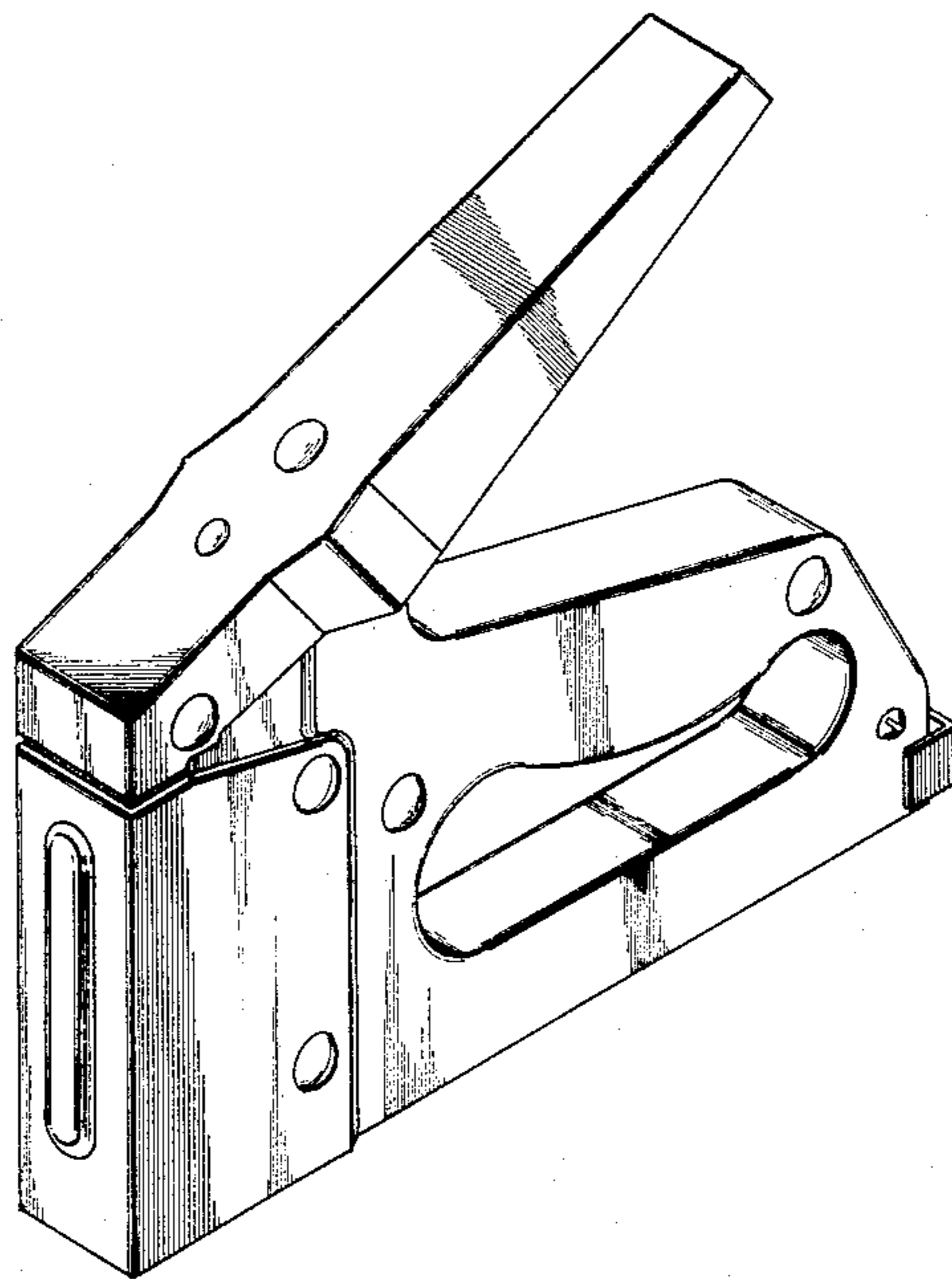
DESCRIPTION

FIG. 1 is a top, front, right side perspective view of a stapler showing my new design;
FIG. 2 is a right elevation thereof, the left side being a mirror image of the right side;
FIG. 3 is a front elevation thereof;
FIG. 4 is a rear elevation thereof; and
FIG. 5 is a bottom plan view thereof.

[56] References Cited

U.S. PATENT DOCUMENTS

2,569,220 9/1951 Batten 227/127
2,617,096 11/1952 Borouhgs 227/127 X
2,719,296 10/1955 Marano 227/128



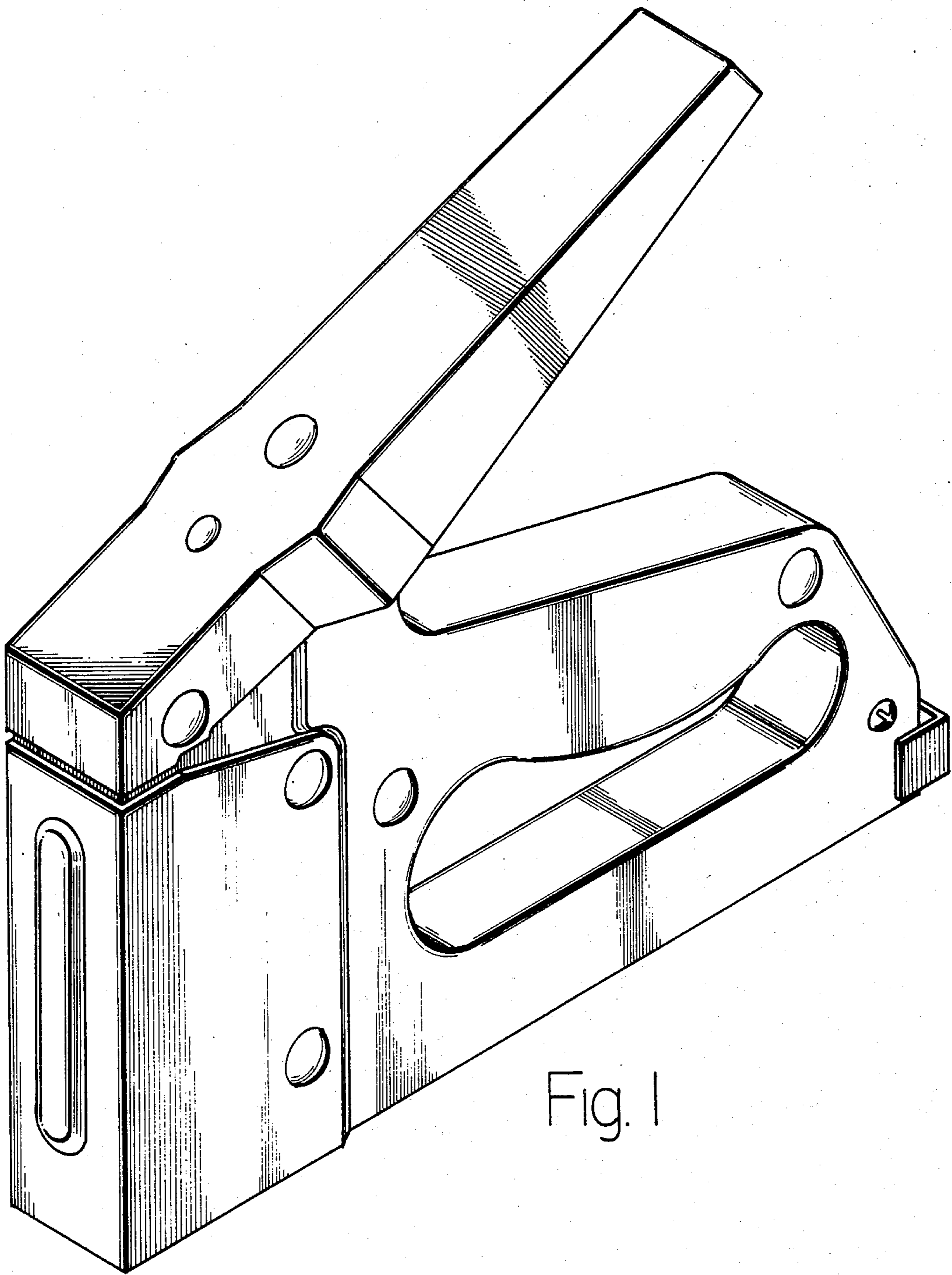


Fig. 1

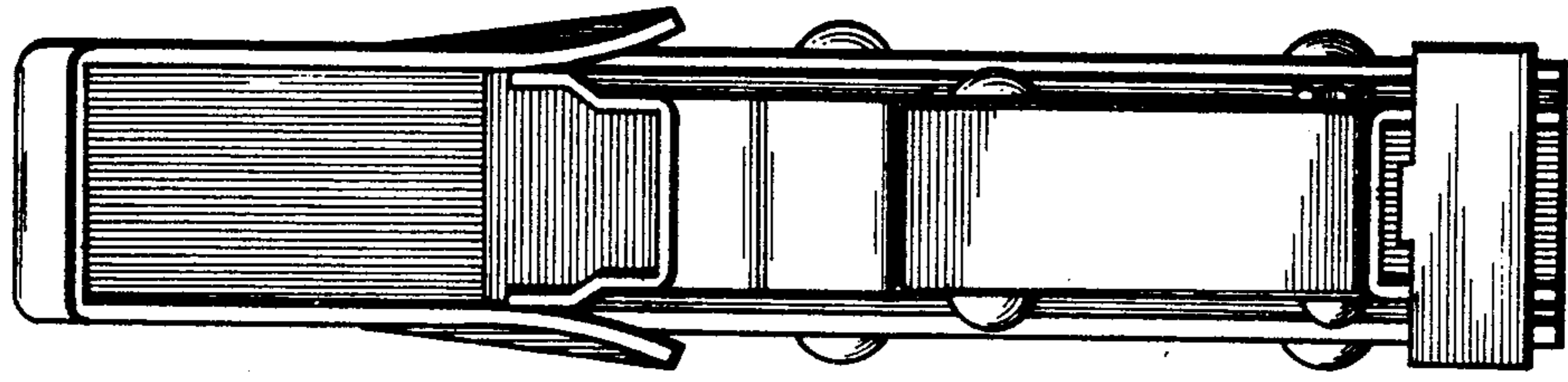


Fig. 4

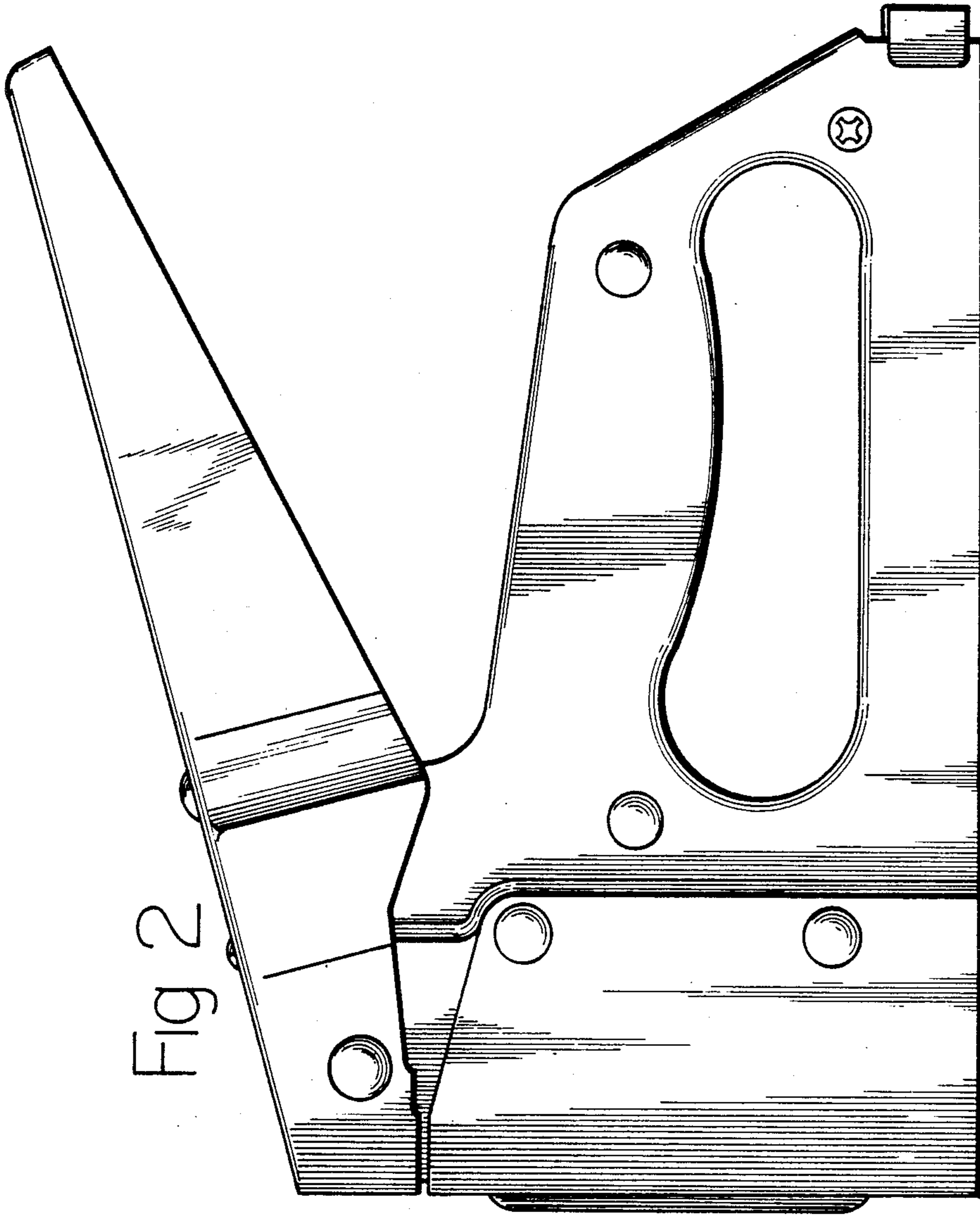


Fig. 2

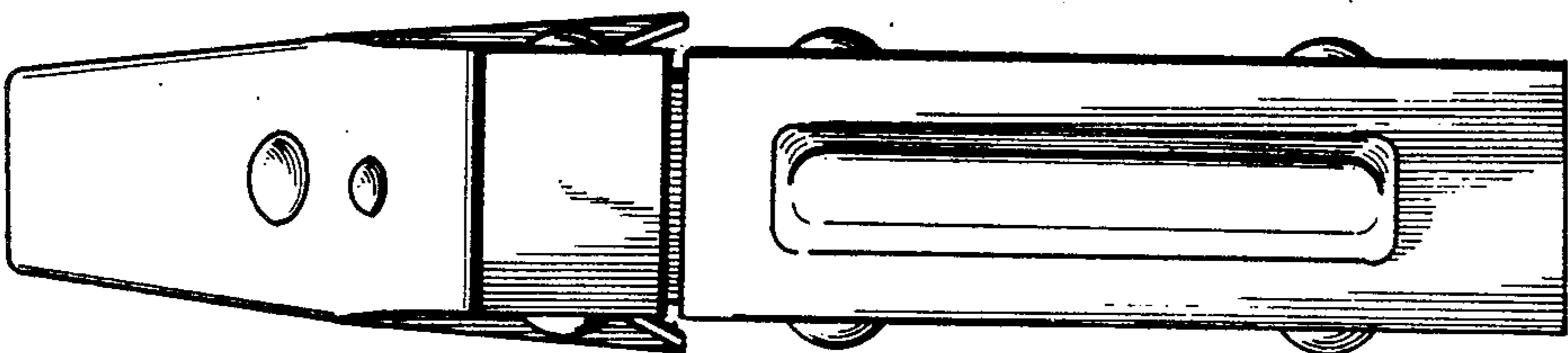


Fig. 3

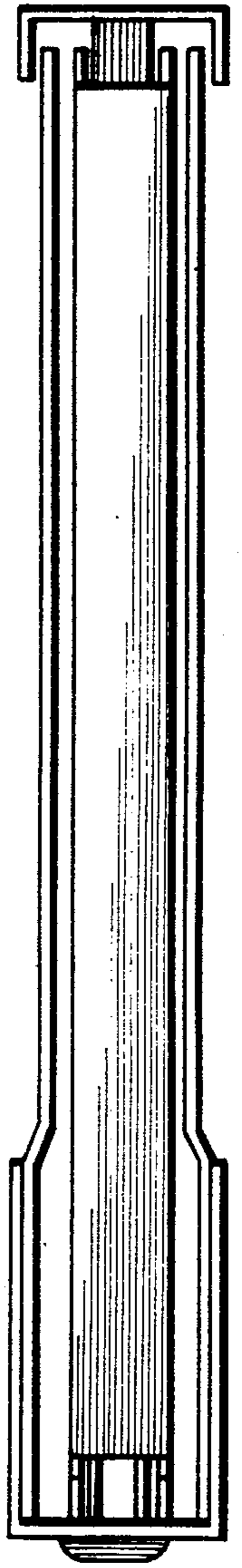


Fig. 5