

[54] SAFETY CAP REMOVER

[76] Inventor: Eugene D. Sherman, Box 97,
Brainard, N.Y. 12024

[**] Term: 14 Years

[21] Appl. No.: 624,622

[22] Filed: Jun. 26, 1984

[52] U.S. Cl. D8/18; D8/40

[58] Field of Search D8/14, 18, 33, 34, 40,
D8/43, 89; 81/3.55, 3.57

[56] References Cited

U.S. PATENT DOCUMENTS

D. 256,323	8/1980	Obland	D8/18
D. 263,673	4/1982	Sheehan	D8/89 X
2,155,947	4/1939	Low	D8/40 X

3,459,075	8/1969	Henderson	81/3.07
4,463,631	8/1984	Barnes et al.	81/3.09 X

Primary Examiner—Bernard Ansher
Assistant Examiner—Terry Pfeffer
Attorney, Agent, or Firm—Heslin & Rothenberg

[57] CLAIM

The ornamental design for a safety cap remover, as shown and described.

DESCRIPTION

FIG. 1 is a top, front right side perspective view of a safety cap remover showing my new design;
FIG. 2 is a top plan view thereof;
FIG. 3 is a right side elevational view thereof, the opposite side being a mirror image;
FIG. 4 is a bottom plan view thereof; and
FIG. 5 is a rear elevational view thereof.

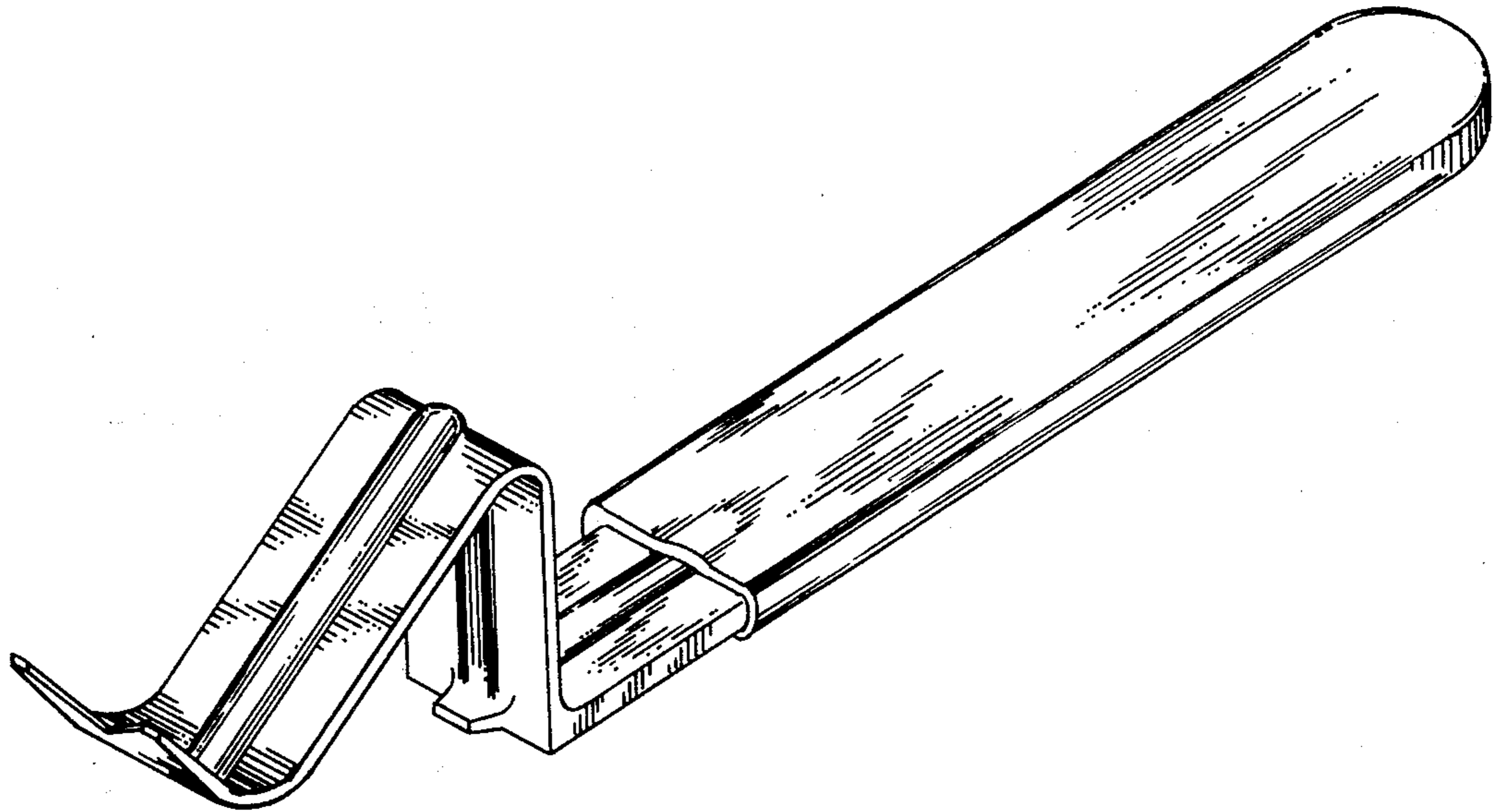


Fig. 1

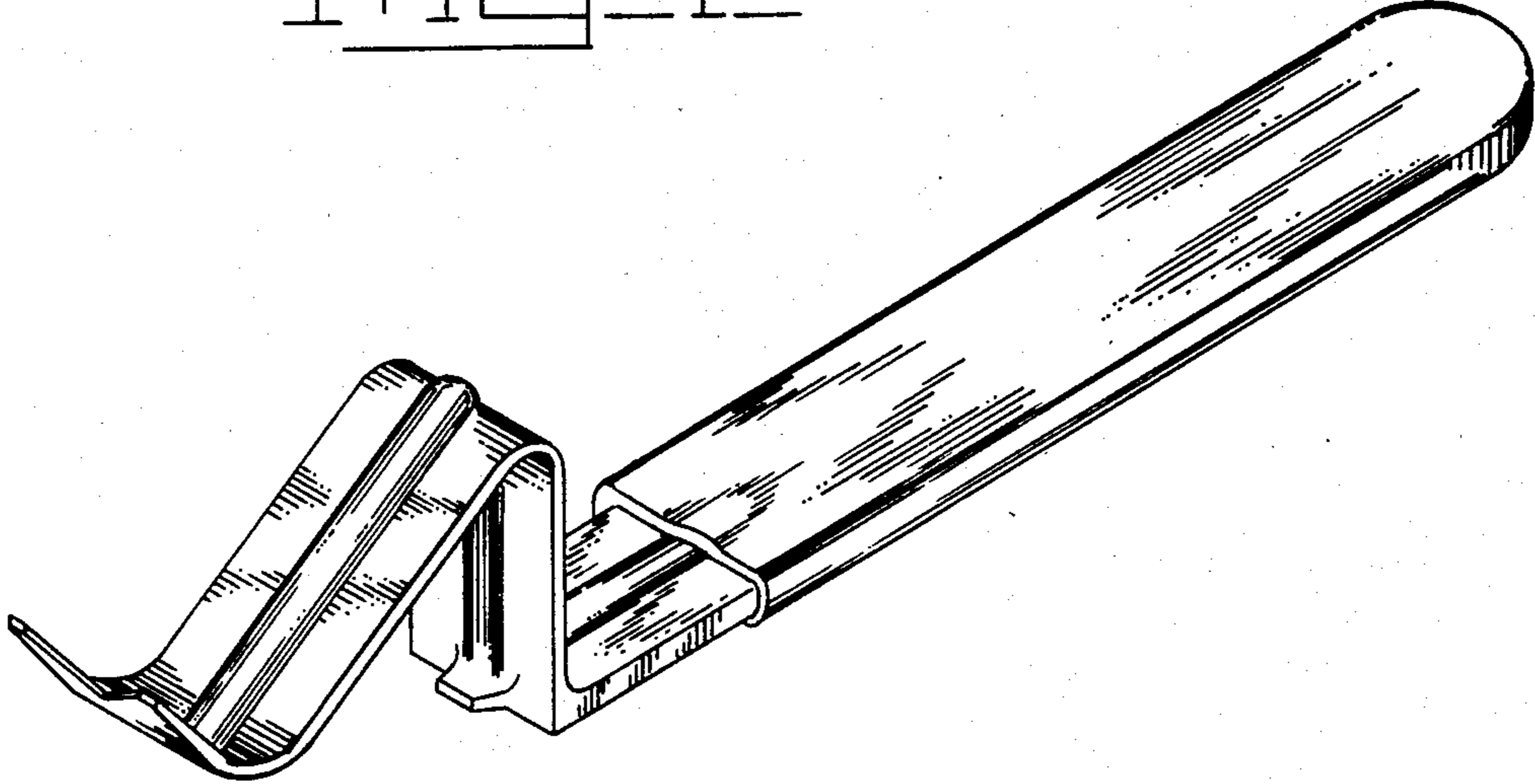


Fig. 2

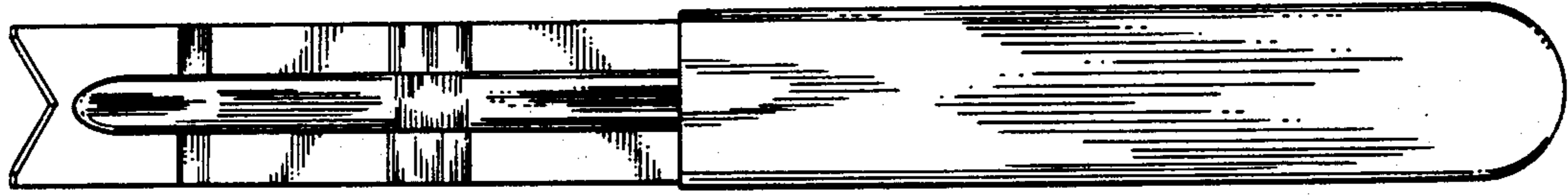


Fig. 3



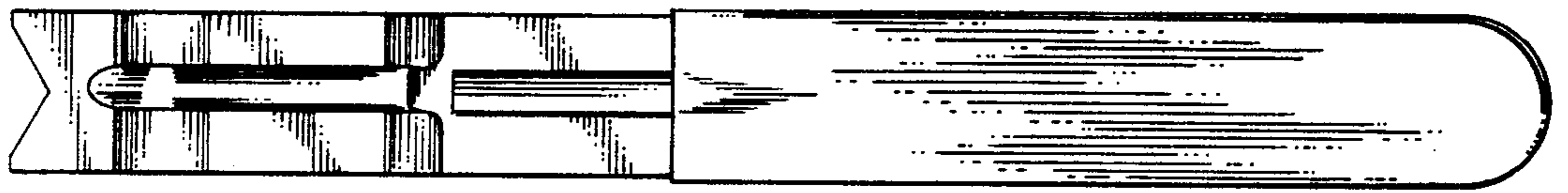


Fig 4

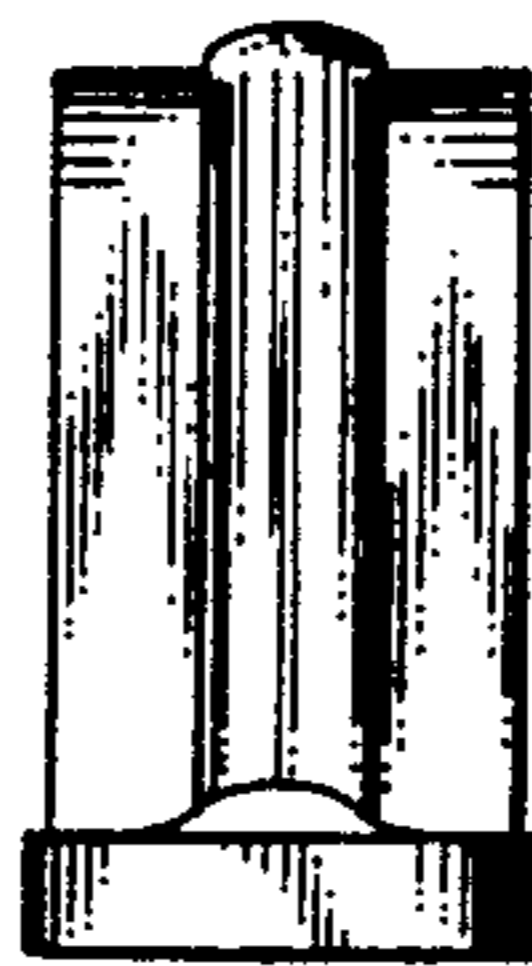


Fig 5