

[54] THERAPY CUSHION

[75] Inventor: Donald E. Willey, Santa Barbara, Calif.

[73] Assignees: Rose L. Arnold; Ned M. Rafter, both of Santa Barbara, Calif. ; a part interest to each

[**] Term: 14 Years

[21] Appl. No.: 693,519

[22] Filed: Jan. 22, 1985

[52] U.S. Cl. D6/601; D24/36

[58] Field of Search D6/595, 596, 601, 604, D6/361; 128/132 R, 74; 5/432, 434, 441, 442, 443, 444, 436; D24/36

[56] References Cited

U.S. PATENT DOCUMENTS

- D. 215,536 10/1969 Larsen D6/601
- D. 236,062 7/1975 Winston D6/601
- D. 246,816 1/1978 Tam D6/596
- D. 247,209 2/1978 Woog D24/36 X

- 3,555,582 1/1971 Radford 5/436
- 3,742,526 7/1973 Lillard D6/361 X
- 4,473,913 10/1984 Ylvisaker 5/443 X

FOREIGN PATENT DOCUMENTS

- 1348279 1/1964 France 5/443 X

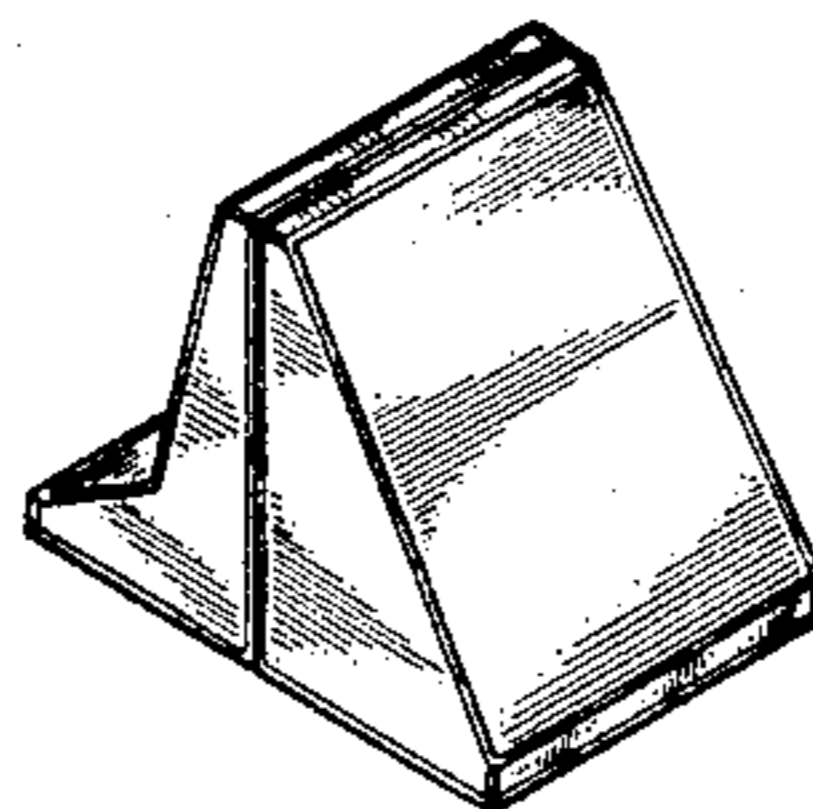
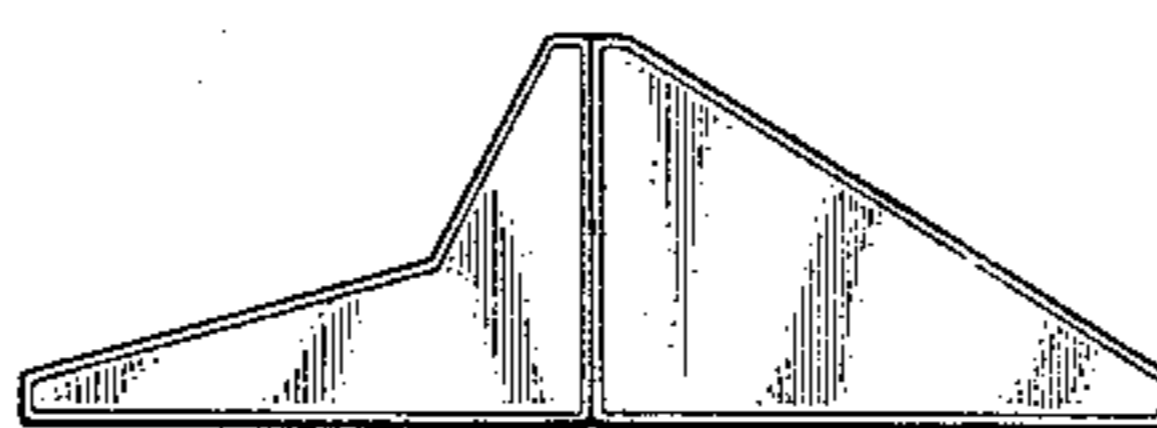
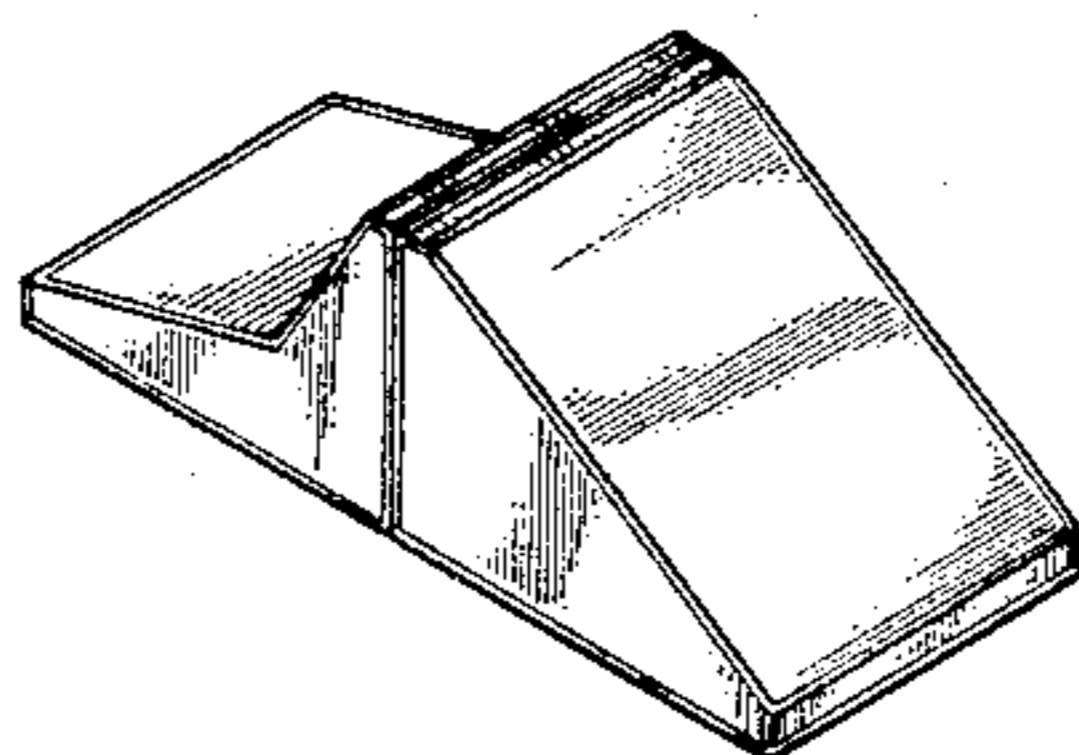
Primary Examiner—Winifred E. Herrmann
Attorney, Agent, or Firm—Kenneth J. Hovet

[57] CLAIM

The ornamental design for therapy cushion, substantially as shown and described.

DESCRIPTION

FIG. 1 is a top, side, and rear perspective view of a therapy cushion showing my new design; FIG. 2 is a front elevational view; FIG. 3 is a side elevational view; FIG. 4 is a rear elevational view; FIG. 5 is a top plan view; FIG. 6 is a bottom plan view; and, FIG. 7 is a perspective view of my design of FIGS. 1-6 in an alternate position.



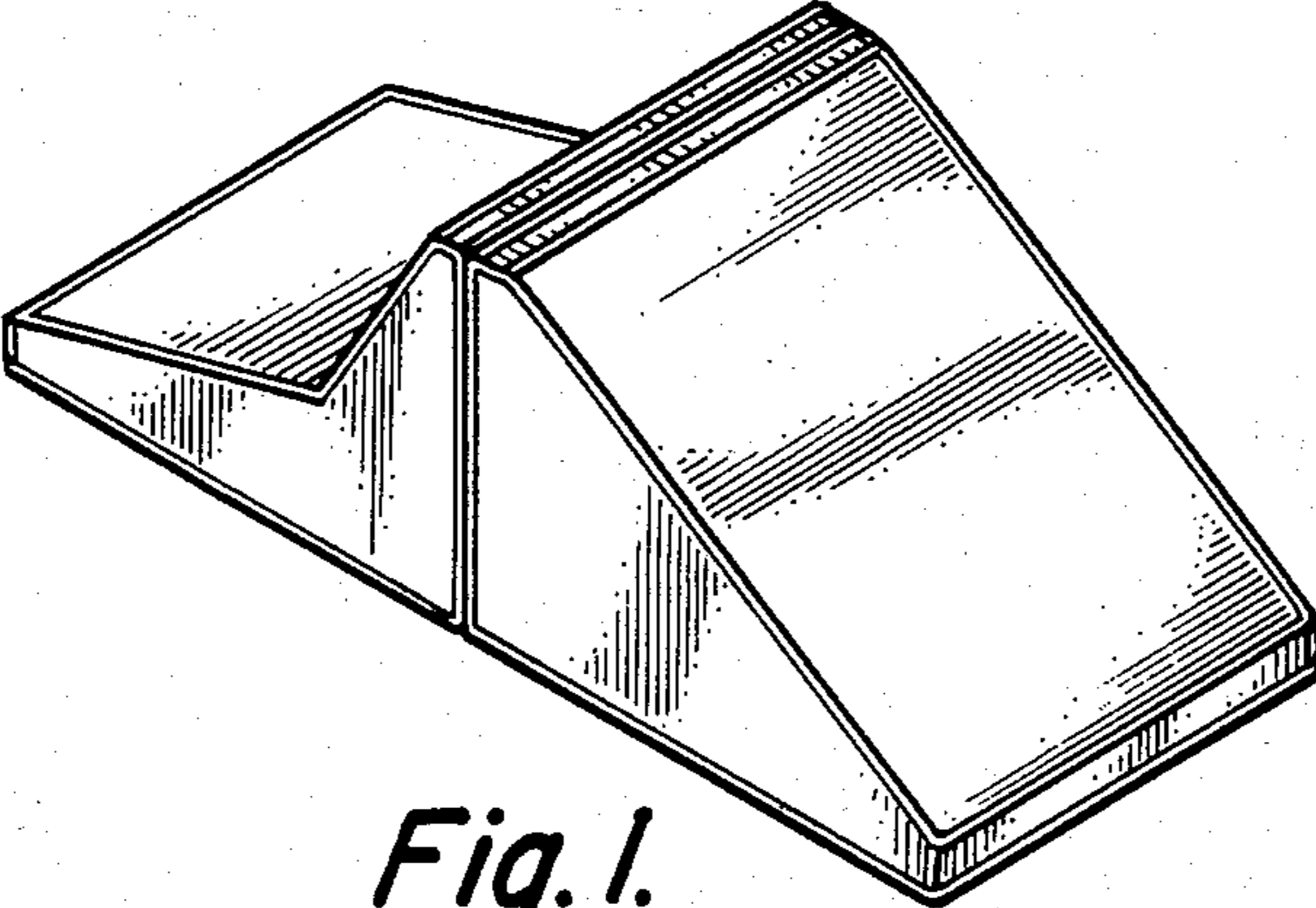


Fig. 1.

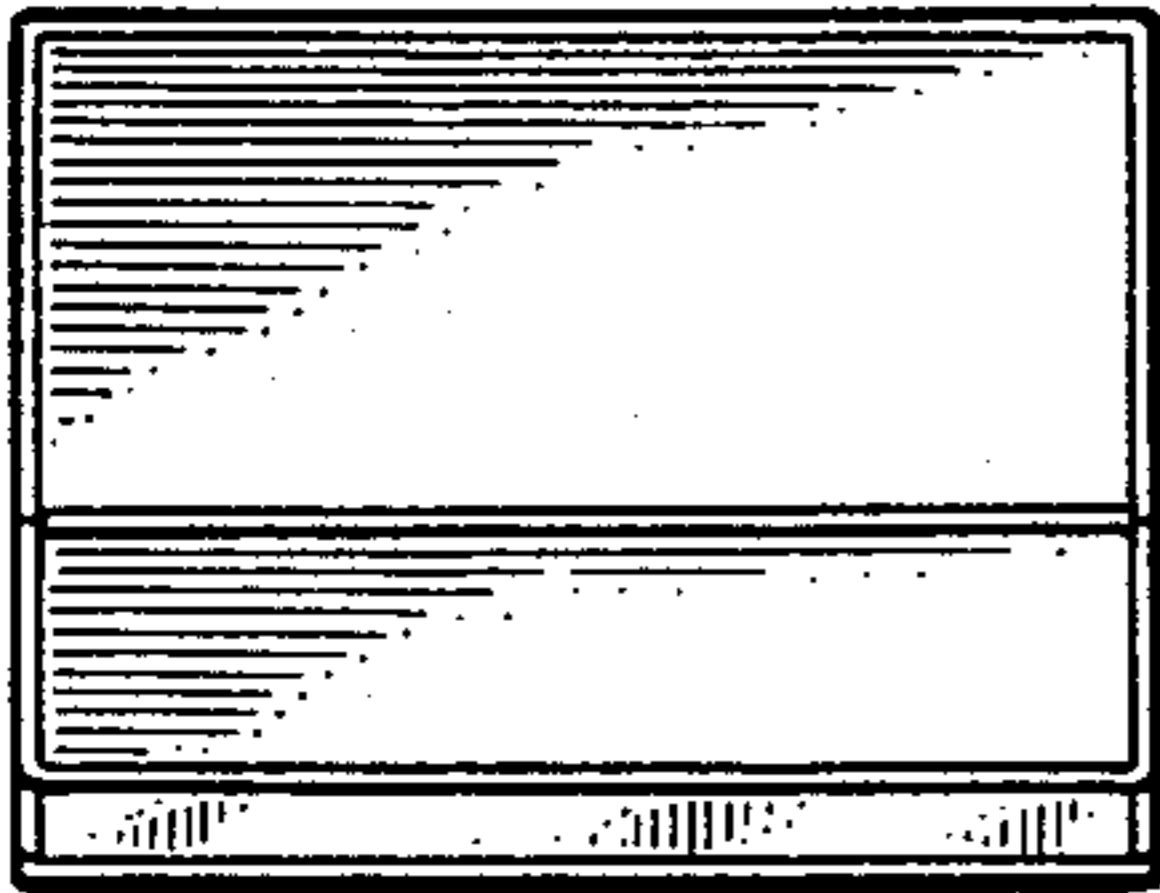


Fig. 2.

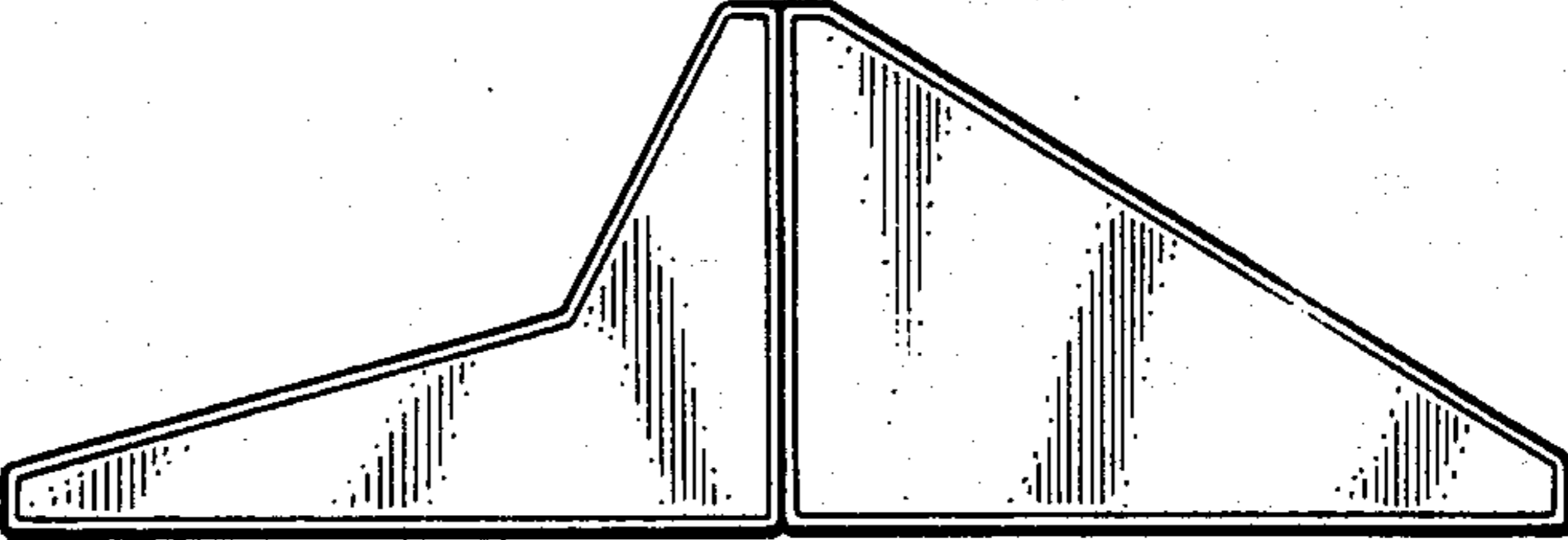


Fig. 3.

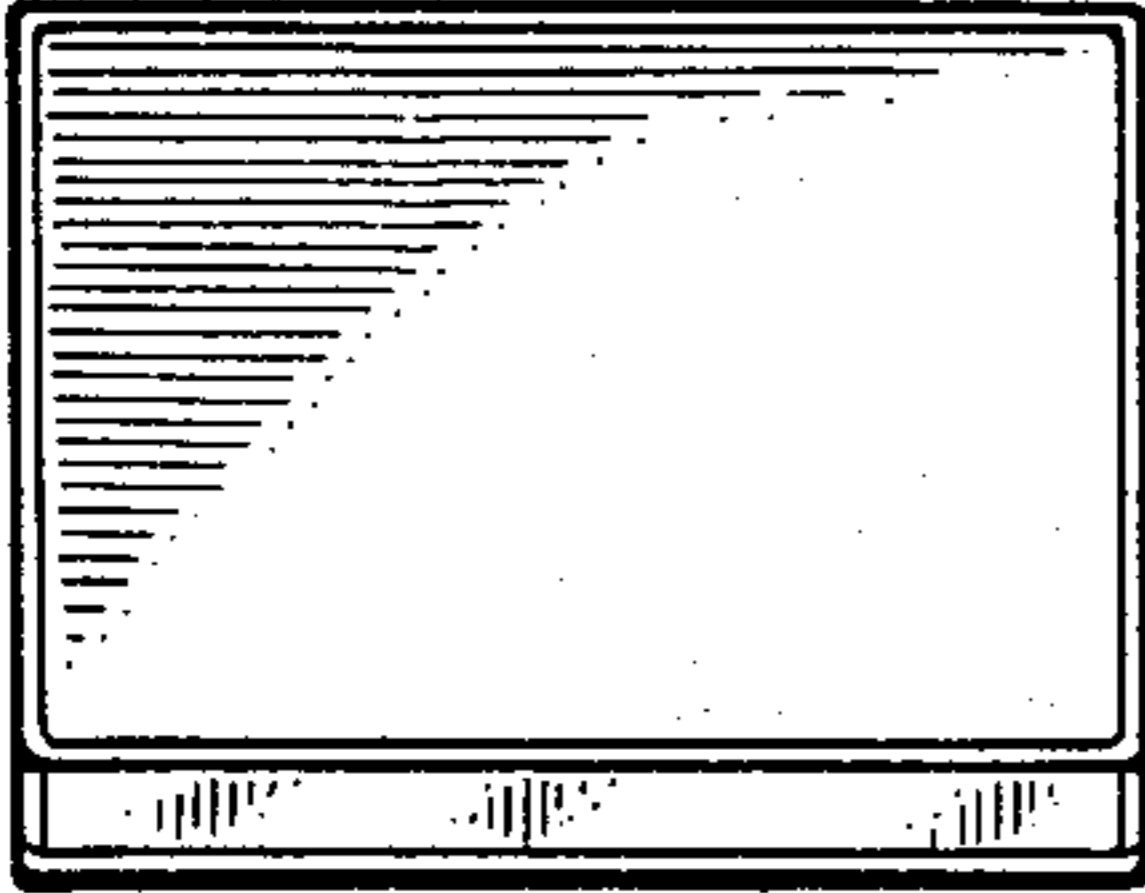


Fig. 4.

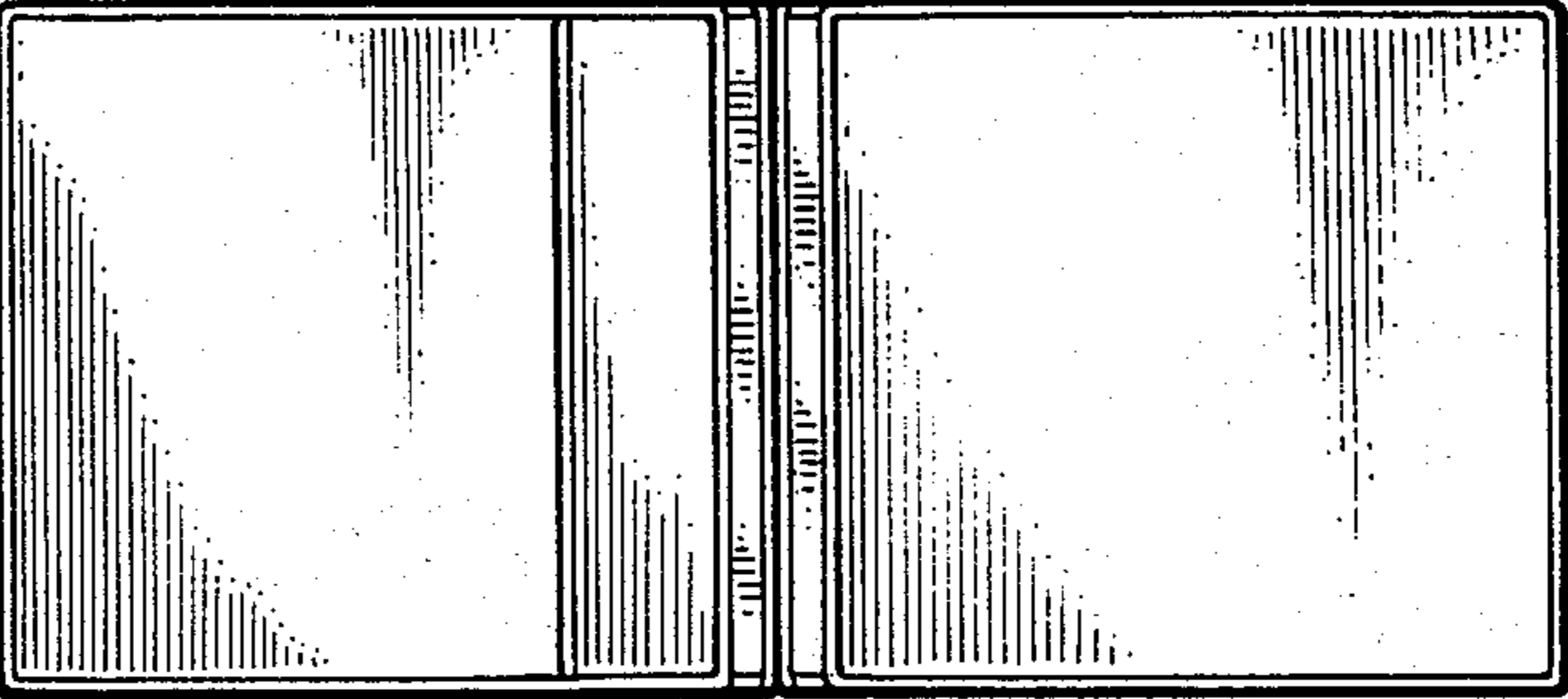


Fig. 5.



Fig. 6.

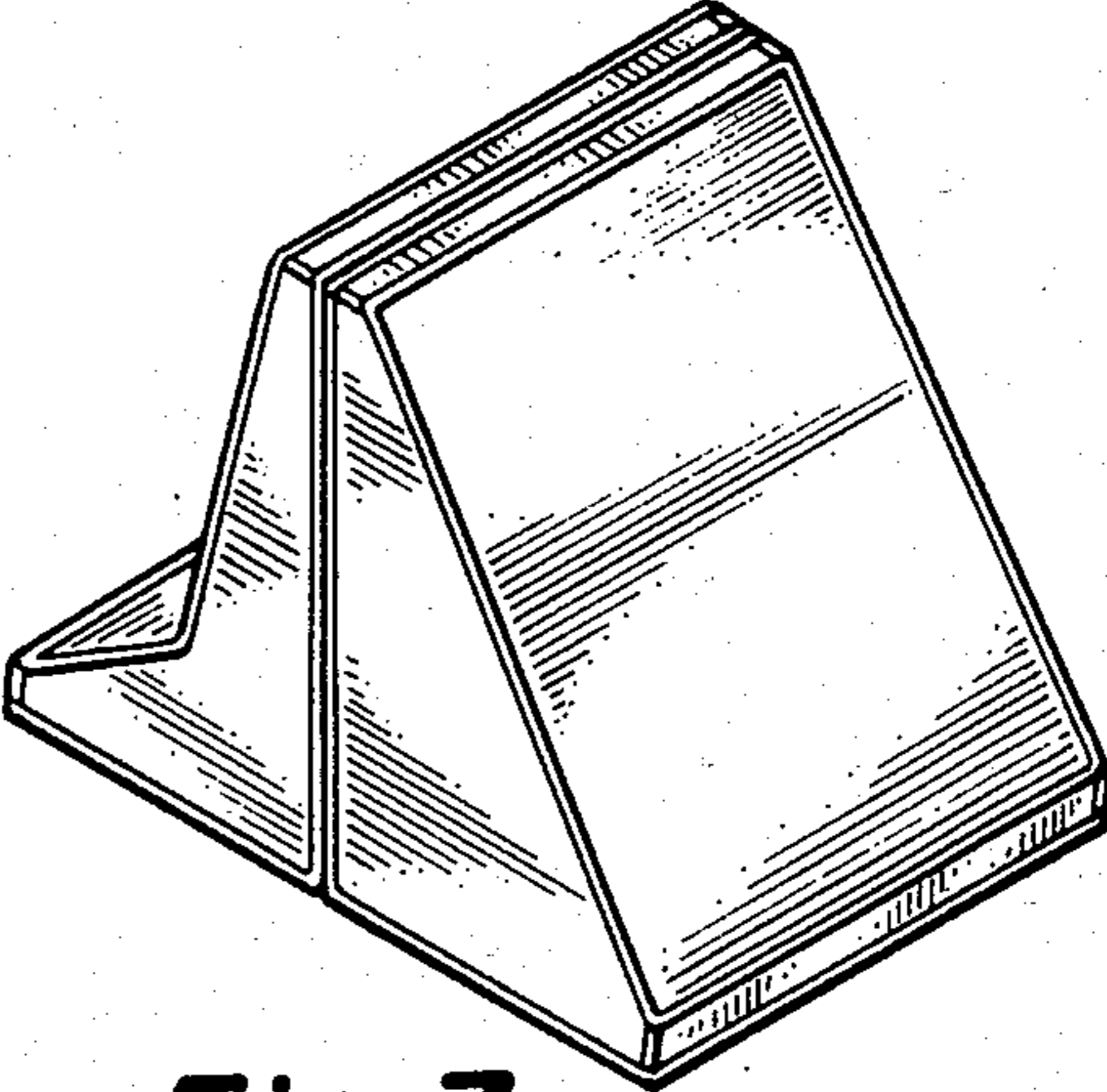


Fig. 7.