

[54] COMBINED CLOTHES STORAGE UNIT AND LAMP

[75] Inventor: Tony Cordero, Turin, Italy

[73] Assignee: Jungle Jap, Paris, France

[**] Term: 14 Years

[21] Appl. No.: 588,668

[22] Filed: Mar. 12, 1984

[30] Foreign Application Priority Data

Sep. 12, 1983 [FR] France 83/3300

[52] U.S. Cl. D6/399; D6/414; D26/58

[58] Field of Search D6/396, 397, 414, 411, D6/413, 429, 430, 431, 399; 211/189, 195, 123, 13, 182; D26/51, 58

[56] References Cited

U.S. PATENT DOCUMENTS

- D. 68,125 9/1925 Syrocki D26/51
- D. 127,028 5/1941 Warren D26/51 X

- D. 144,745 5/1946 Terry D26/58
- D. 159,953 9/1950 Caruso D6/414
- D. 167,137 7/1952 Cannella D26/58
- D. 167,461 8/1952 Heftel D6/414
- D. 183,239 7/1958 Brooks D26/58
- D. 199,846 12/1964 Armstrong D6/397
- D. 225,954 1/1973 Schachel D6/414
- D. 278,768 5/1985 Sharpe D6/414

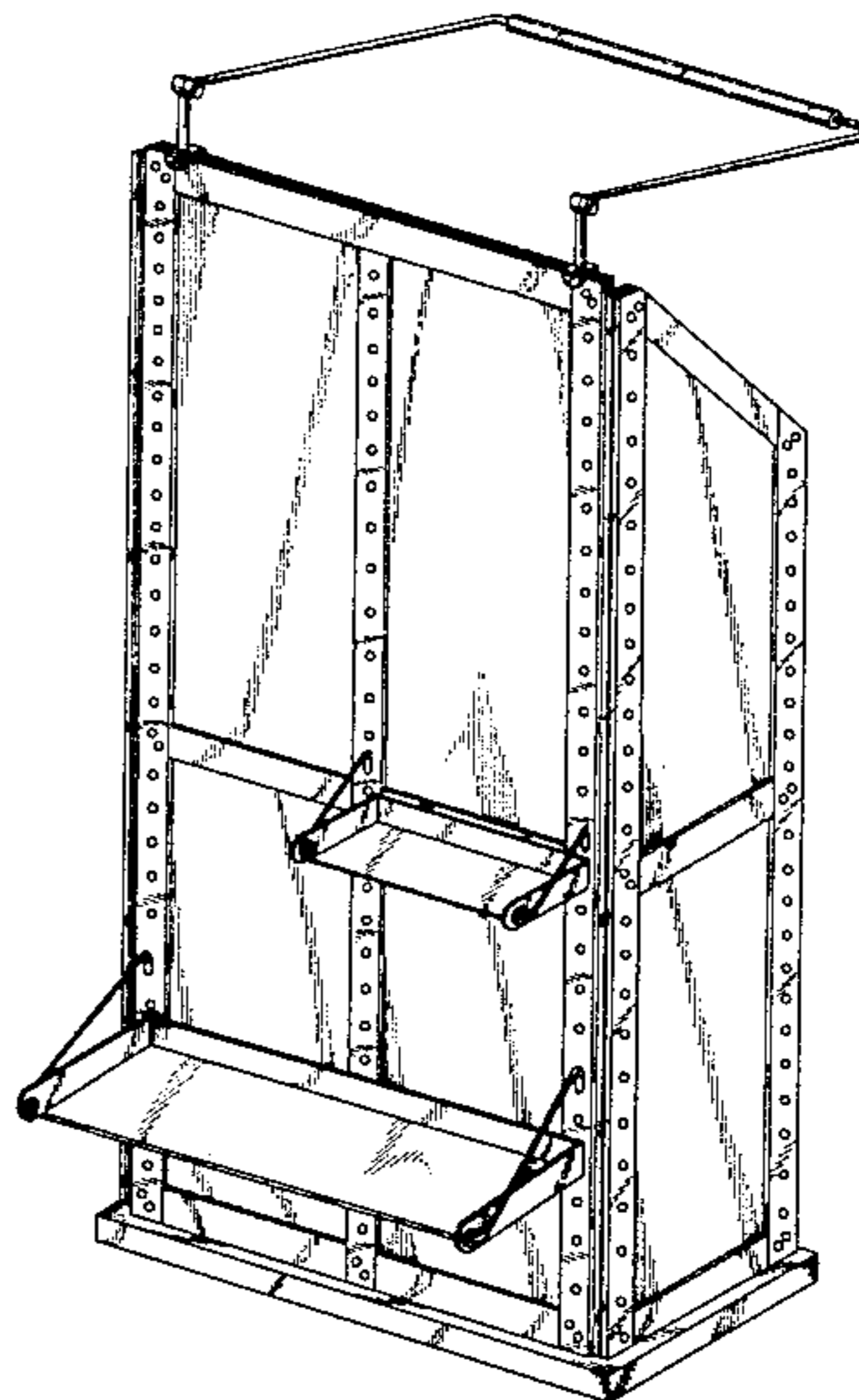
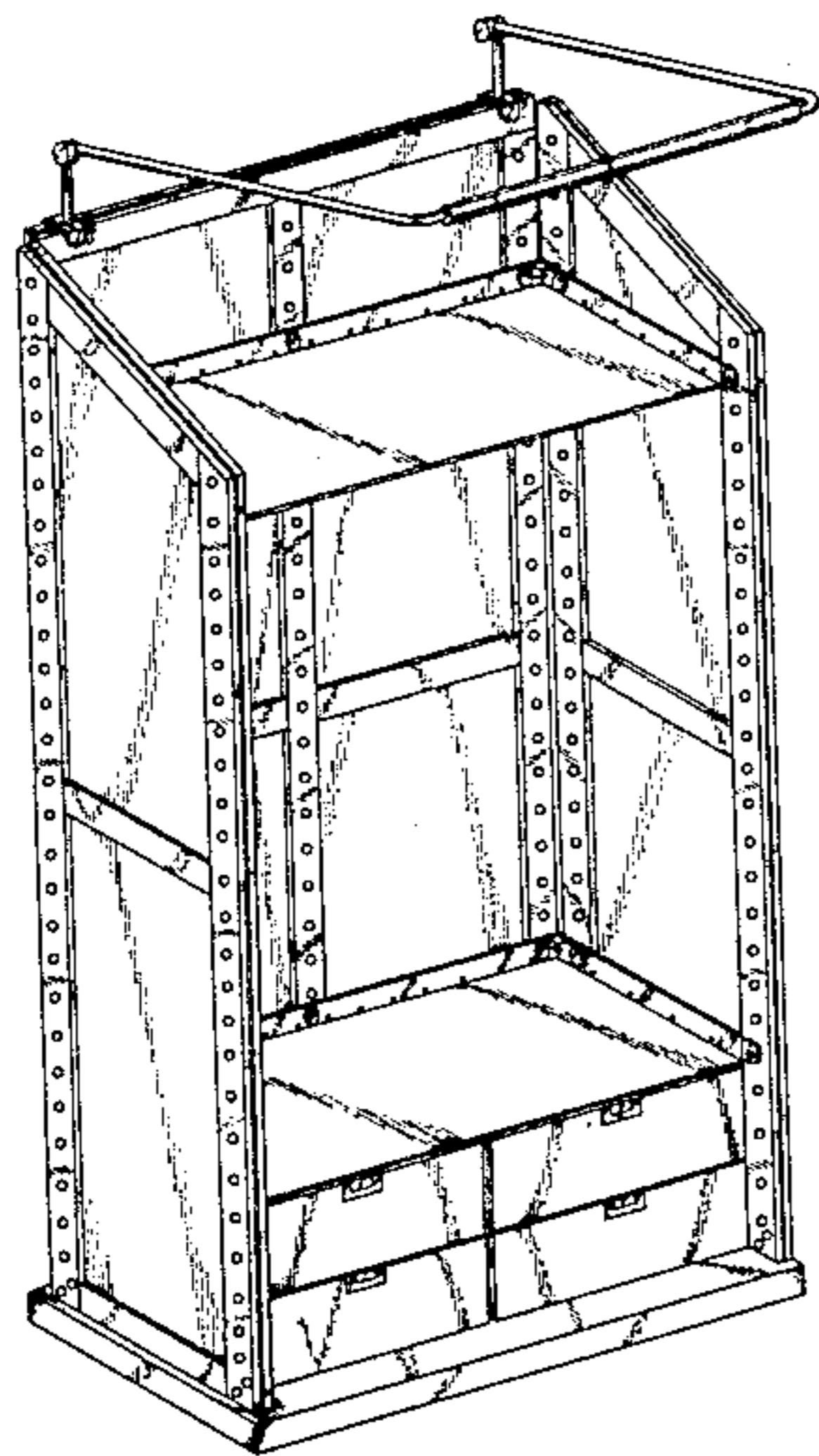
Primary Examiner—Carmen H. Vales
Attorney, Agent, or Firm—Kuhn Muller and Bazerman

[57] CLAIM

The ornamental design for a combined clothes storage unit and lamp, as shown.

DESCRIPTION

FIG. 1 is a front perspective view of a combined clothes storage unit and lamp showing my new design; FIG. 2 is a rear perspective view thereof; FIG. 3 is a front elevational view thereof; FIG. 4 is a rear elevational view thereof; FIG. 5 is a right side elevational view thereof; FIG. 6 is a top plan view thereof; and FIG. 7 is a bottom plan view thereof.



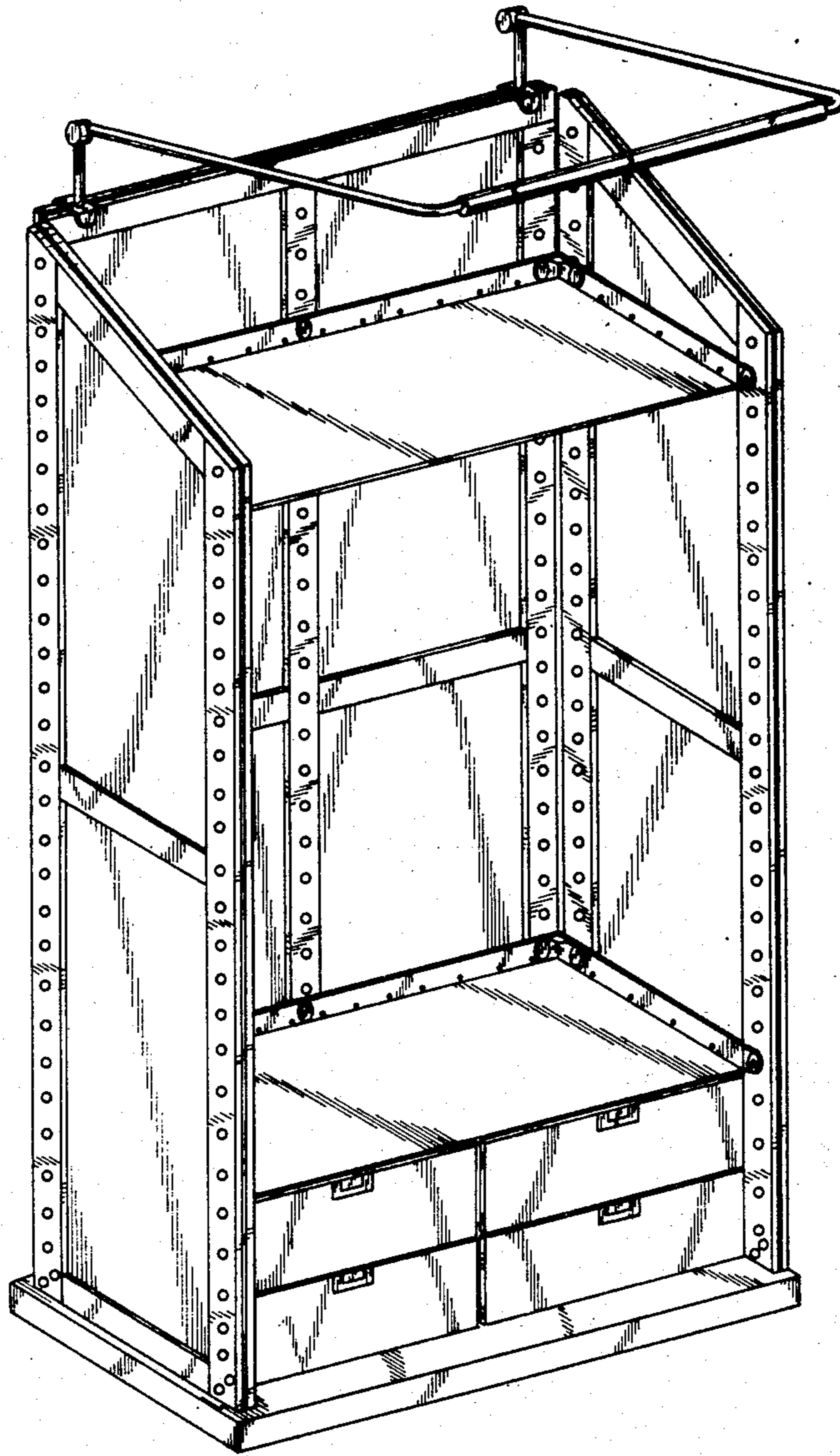


FIG. 1

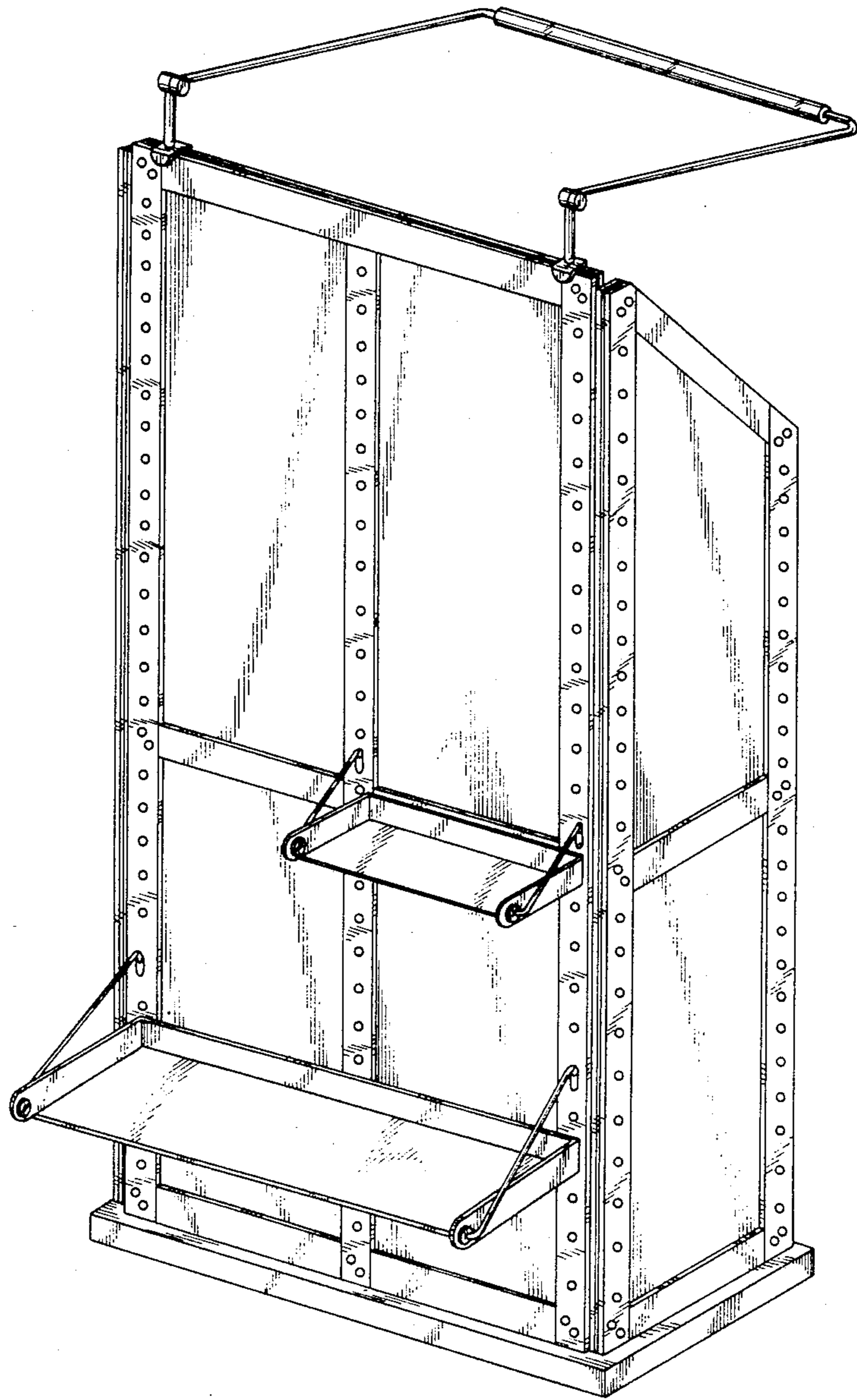


FIG. 2

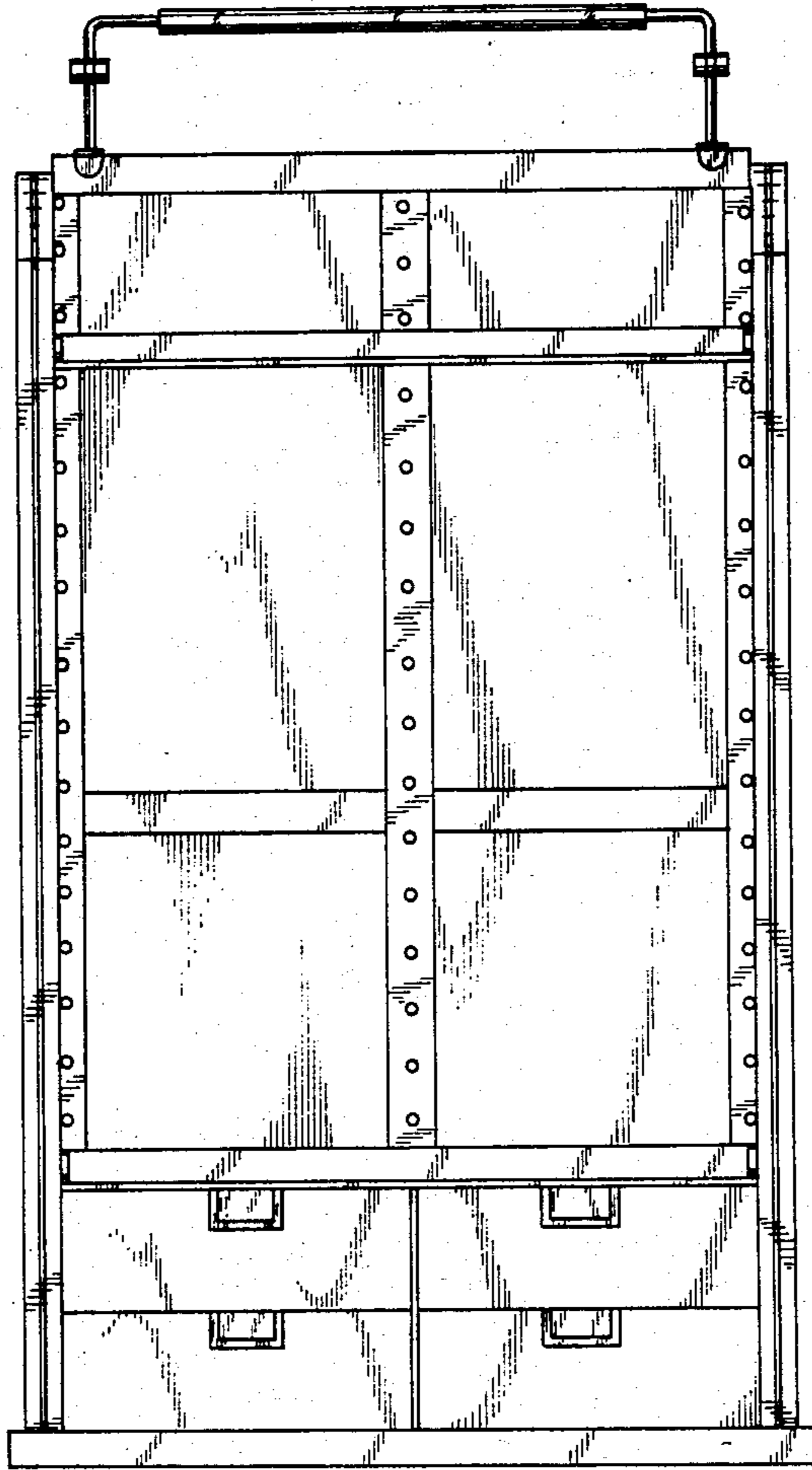


FIG. 3

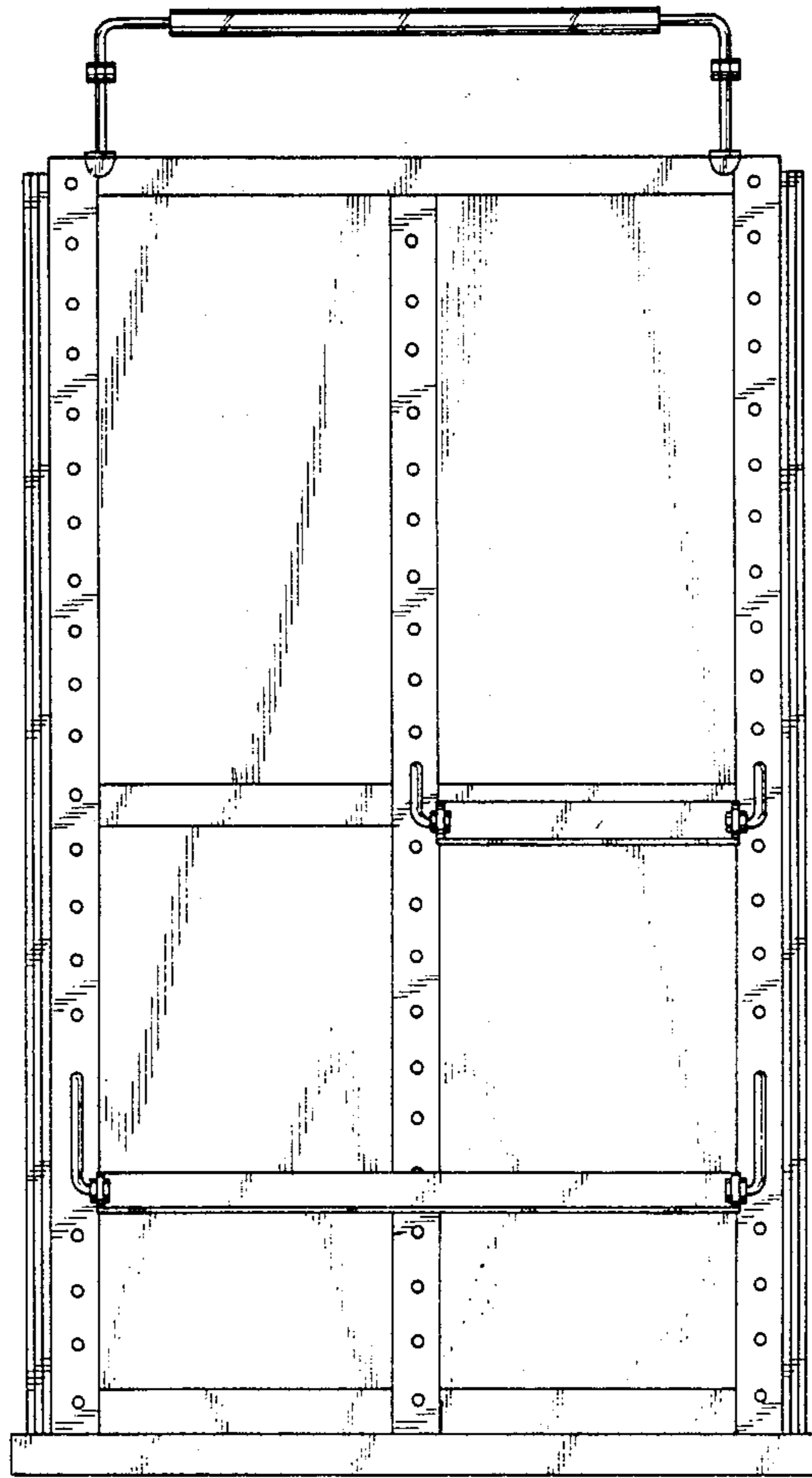


FIG. 4

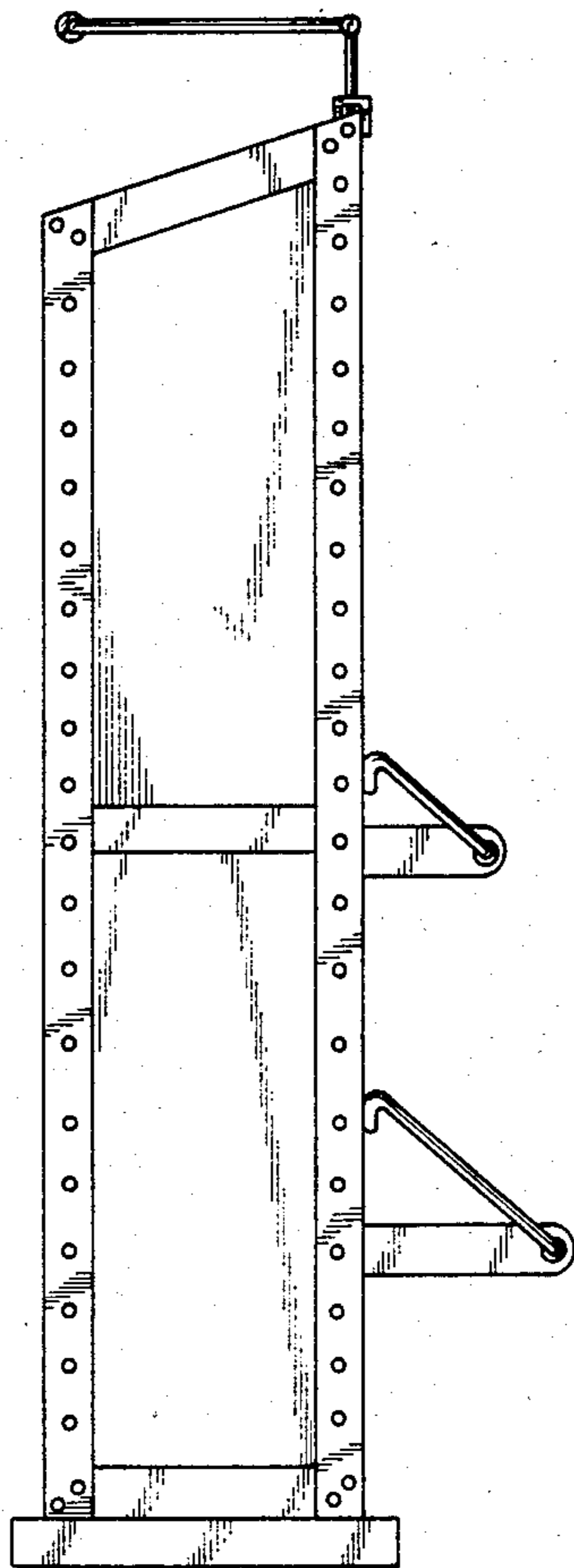


FIG. 5

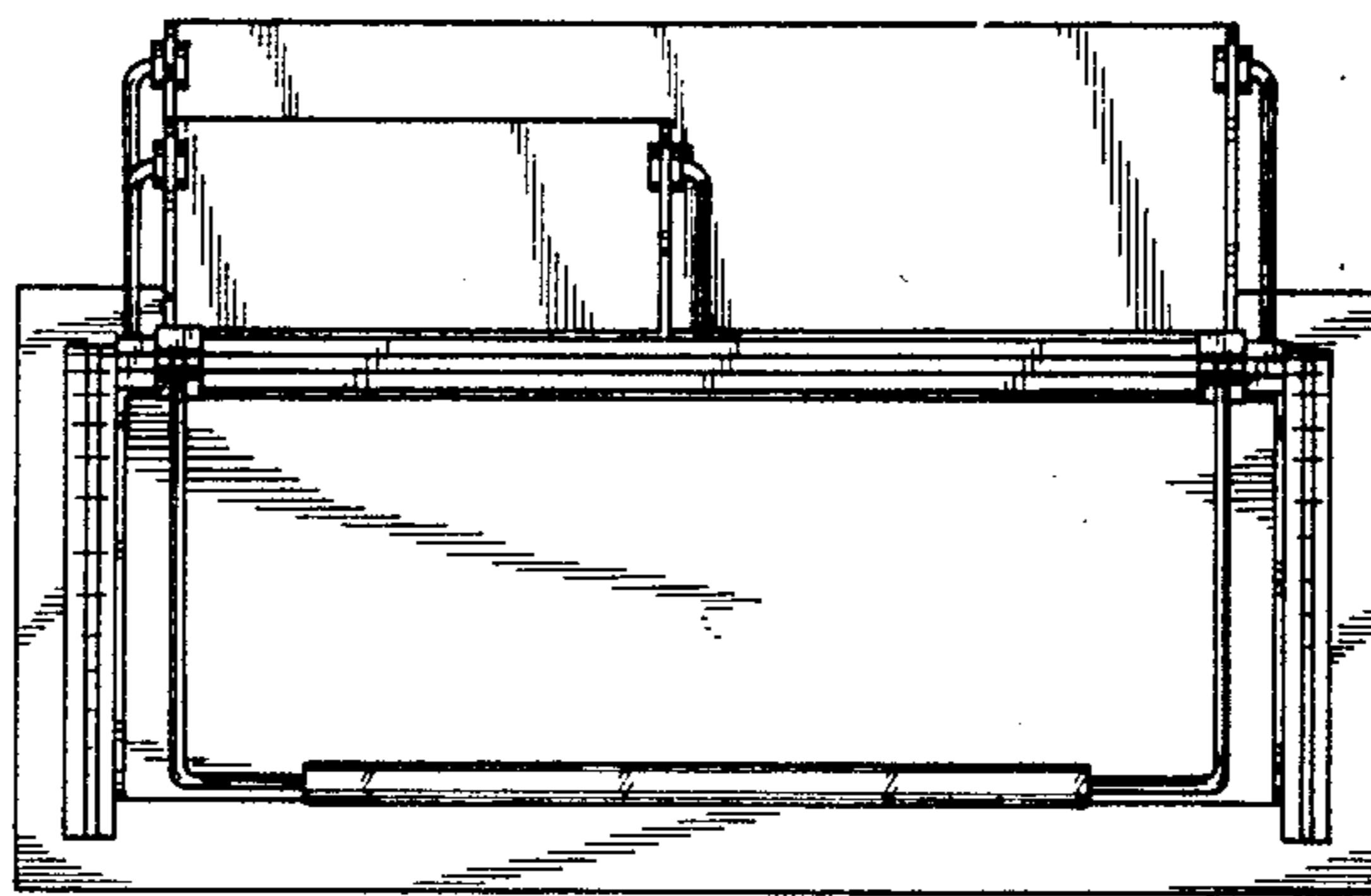


FIG. 6

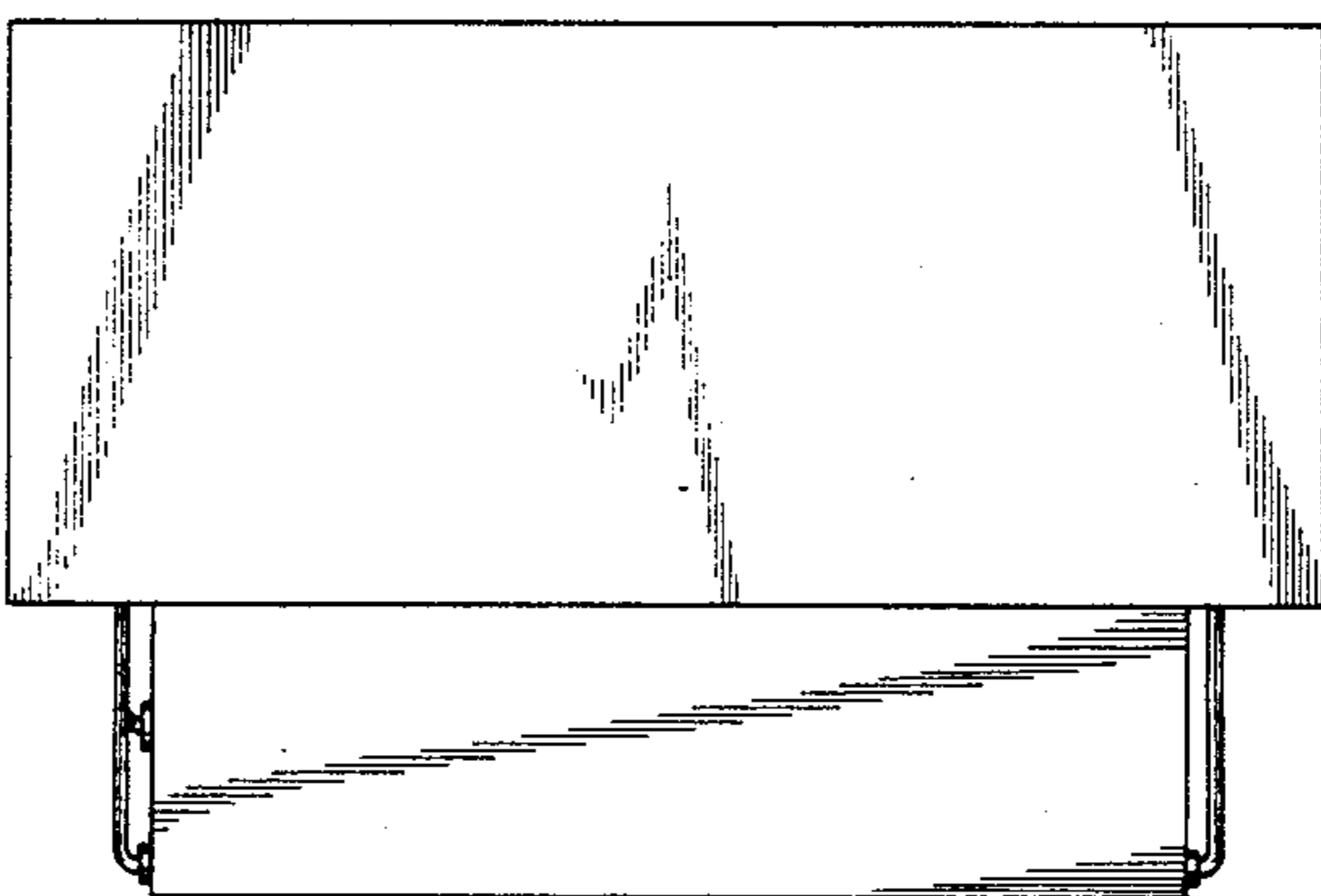


FIG. 7