

[54] **TABLE TOP MIRROR**

[75] **Inventor: Paul T. Arato, Don Mills, Canada**

[73] **Assignee: Colleen J. Klein, Guelph, Canada**

[**] **Term: 14 Years**

[21] **Appl. No.: 643,786**

[22] **Filed: Aug. 24, 1984**

[52] **U.S. Cl. D6/310; D6/372**

[58] **Field of Search D6/300-310, D6/312-314, 371, 372, 375; D11/131; 428/13, 14; 40/152-152.2; 350/612, 615-618, 621, 622**

[56] **References Cited**

U.S. PATENT DOCUMENTS

D. 227,313	6/1973	Elsner	D6/300
D. 228,998	11/1973	Rozman	D6/310
D. 252,840	9/1979	Scholten	D6/375
D. 269,142	5/1983	Umanoff	D6/372
D. 283,090	3/1986	Mulhauser	D6/372
3,737,216	6/1973	Noda	350/621
3,751,140	8/1973	Berlin et al.	350/621 X

Primary Examiner—Louis S. Zarfes

Attorney, Agent, or Firm—Fleit, Jacobson, Cohn & Price

[57] **CLAIM**

The ornamental design for a table top mirror, as shown.

DESCRIPTION

FIG. 1 is a top front right perspective view of a table top mirror showing my new design; and FIG. 2 is a bottom rear left perspective view.

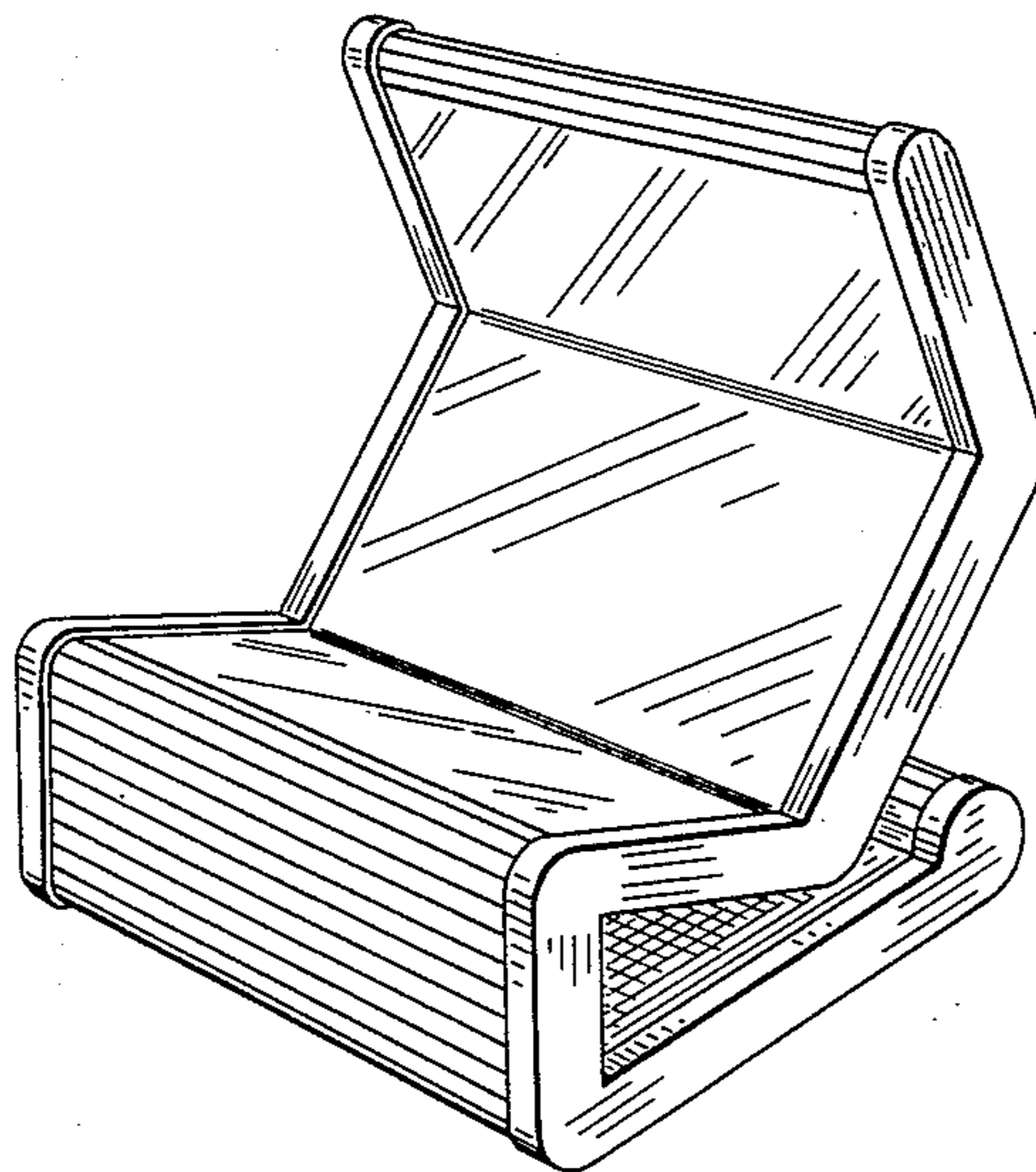


FIG. 1

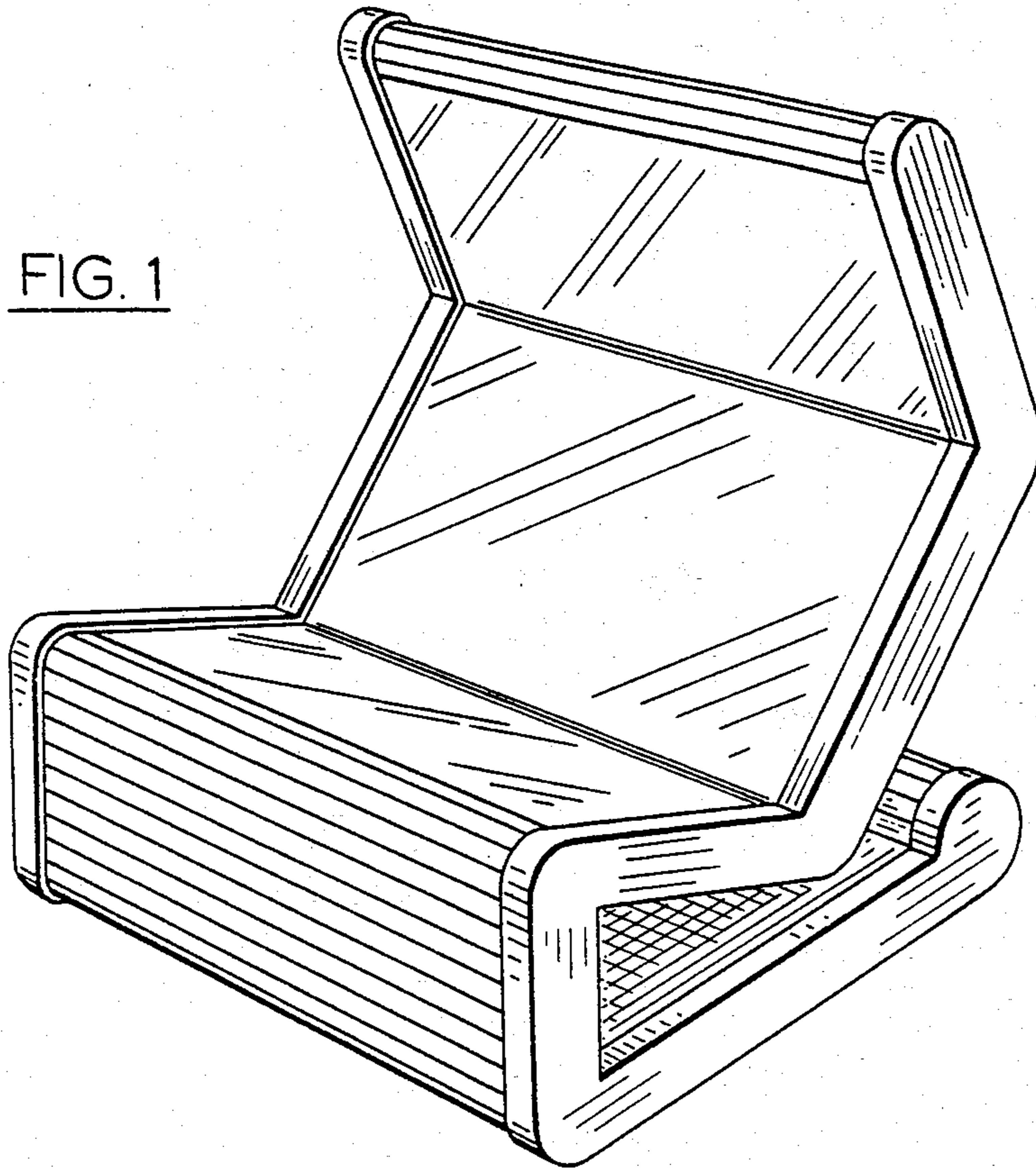


FIG. 2

