

United States Patent [19]

O'Connor et al.

[11] Patent Number: **Des. 289,344**

[45] Date of Patent: **** Apr. 21, 1987**

- [54] **LIQUID DISPENSING BRUSH**
- [75] Inventors: **Rodney J. O'Connor**, College Station; **Munson R. Snedeker**, Bryan, both of Tex.
- [73] Assignee: **Texas Romec, Inc.**, College Station, Tex.
- [**] Term: **14 Years**
- [21] Appl. No.: **693,964**
- [22] Filed: **Jan. 23, 1985**
- [52] U.S. Cl. **D4/114; D4/136; D4/138; D9/338**
- [58] Field of Search **D9/300, 337, 338; D4/114, 116, 127-133, 135, 136, 138; 15/159 R, 160, 143 R, 106; 132/148; 401/137, 139, 192, 268, 28**

- [56] **References Cited**
U.S. PATENT DOCUMENTS
D. 238,631 2/1976 Leighton D4/136 X

- D. 248,996 8/1978 Brunas D4/136
- D. 270,427 9/1983 Henington D9/338 X
- D. 279,648 7/1985 Fini D9/338 X

Primary Examiner—Catherine E. Kemper
Attorney, Agent, or Firm—John R. Kirk, Jr.

[57] CLAIM

The ornamental design for a liquid dispensing brush design, substantially as shown and described.

DESCRIPTION

FIG. 1 is a top plan view of a liquid dispensing brush, showing our new design;
 FIG. 2 is a side elevational view thereof;
 FIG. 3 is a left end elevational view thereof;
 FIG. 4 is a right end elevational view thereof;
 FIG. 5 is a cross-sectional view taken along line 5—5 of FIG. 2;
 FIG. 6 is a fragmentary cross-sectional view taken along line 6—6 of FIG. 4; and
 FIG. 7 is a fragmentary cross-sectional view taken along line 7—7 of FIG. 3.

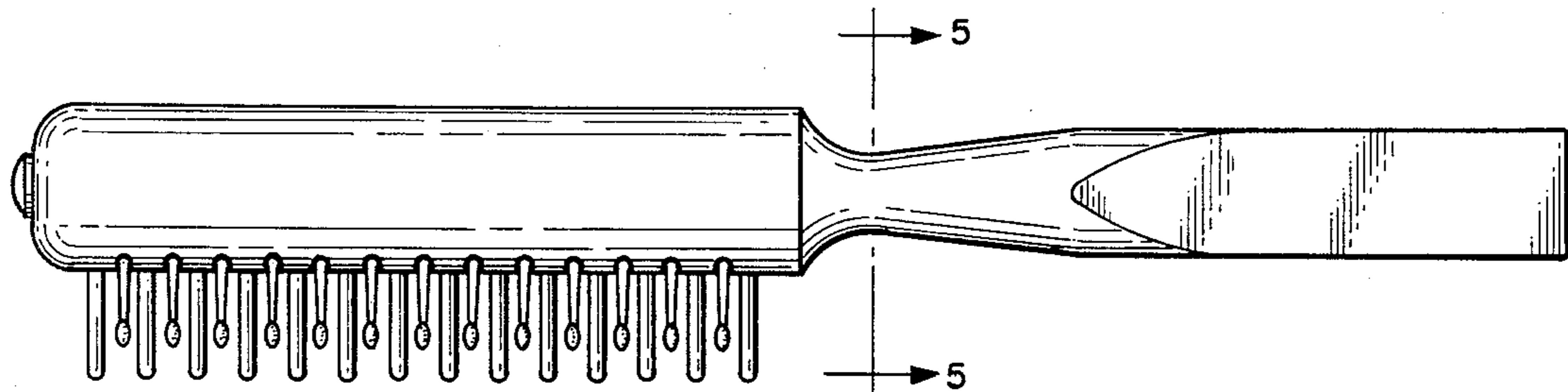


FIG. 1.

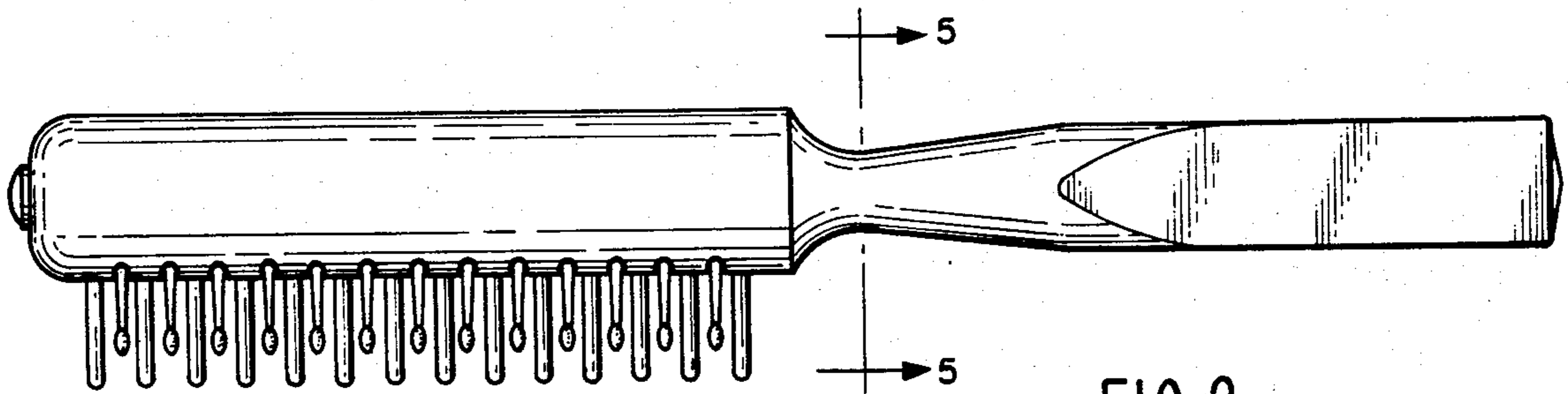
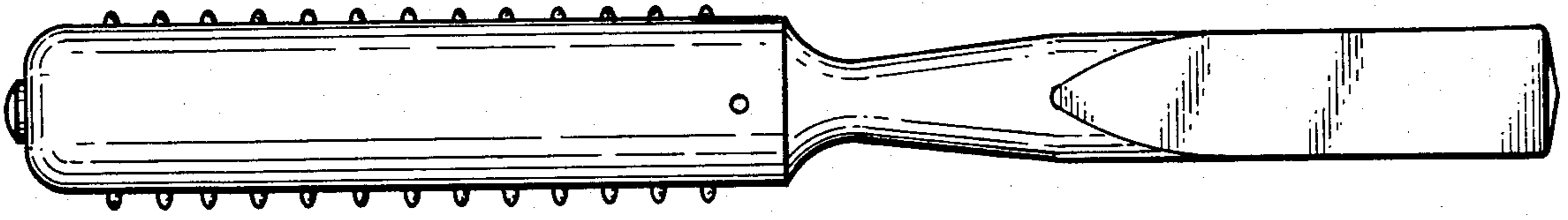


FIG. 2.

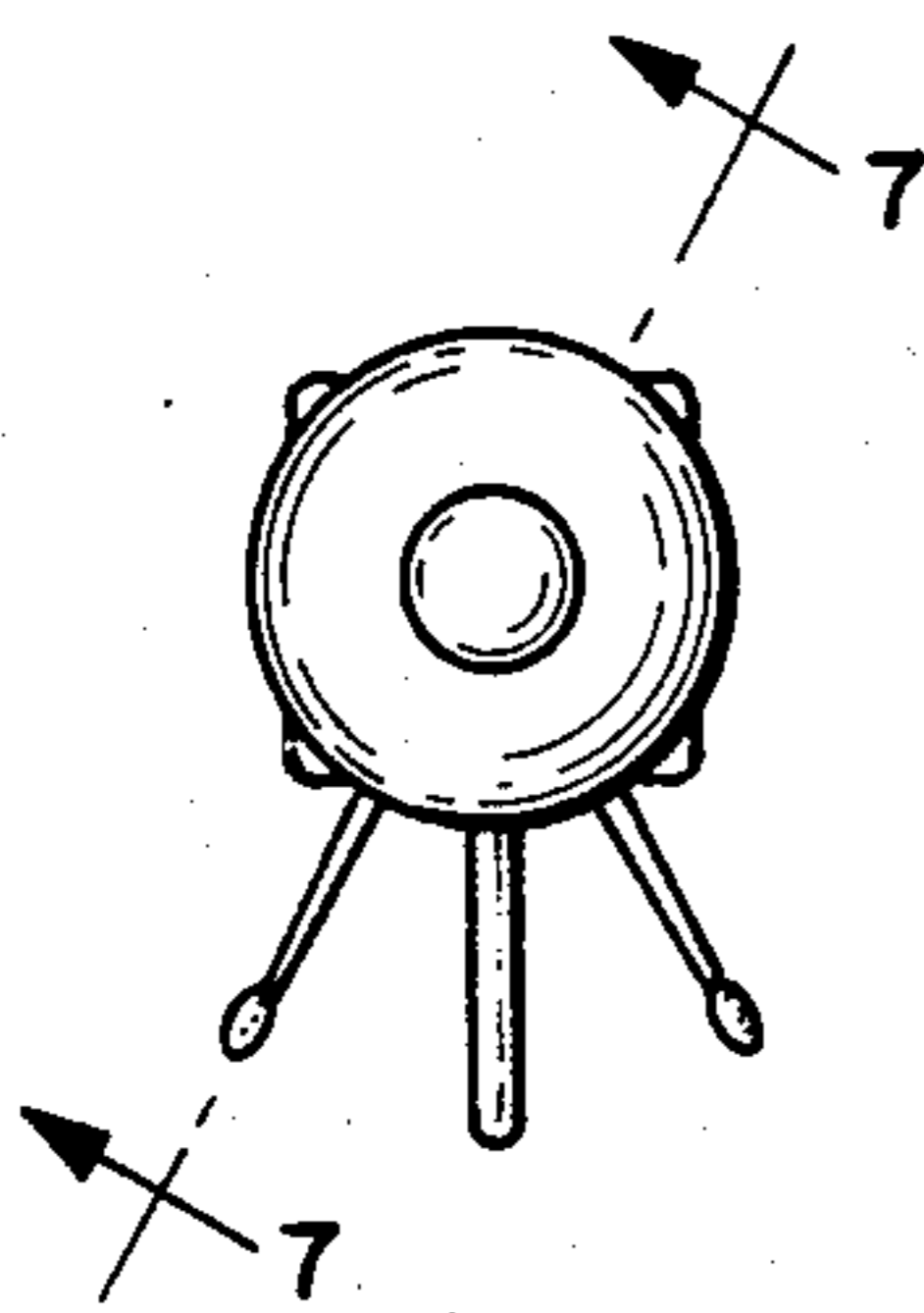


FIG. 3.

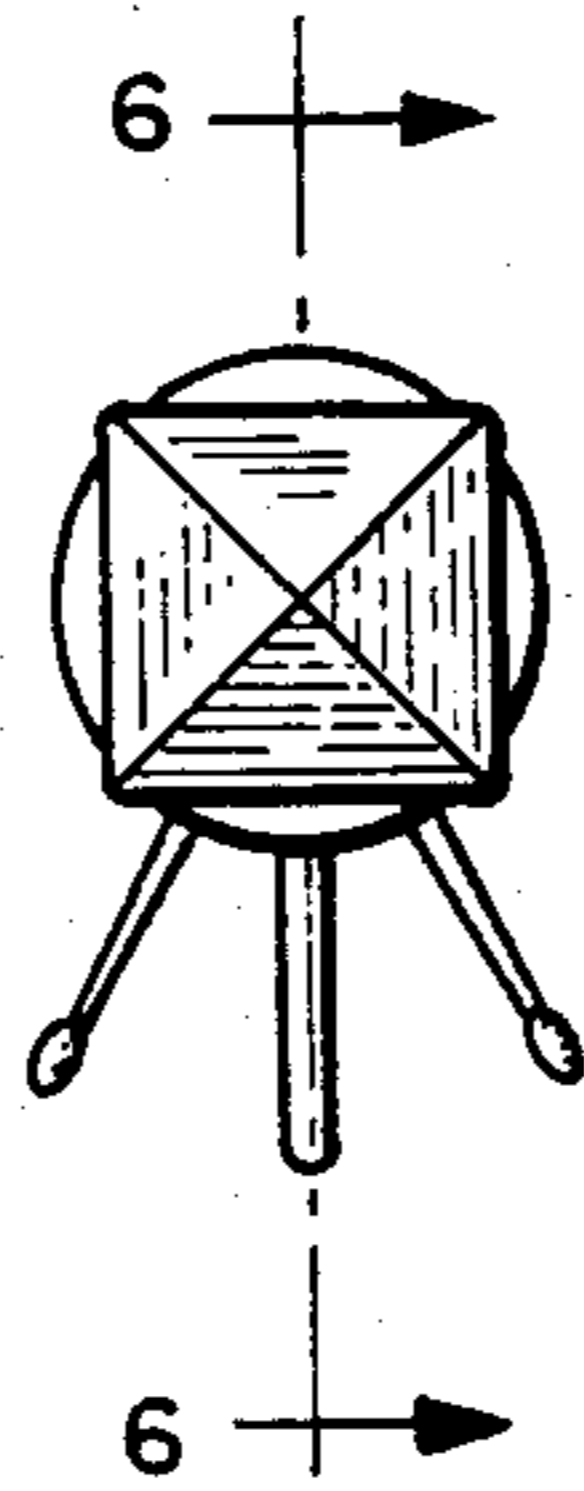


FIG. 4.

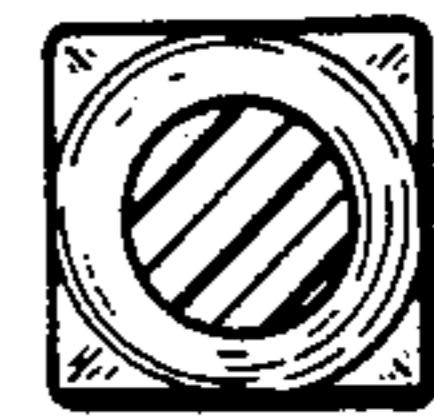


FIG. 5.

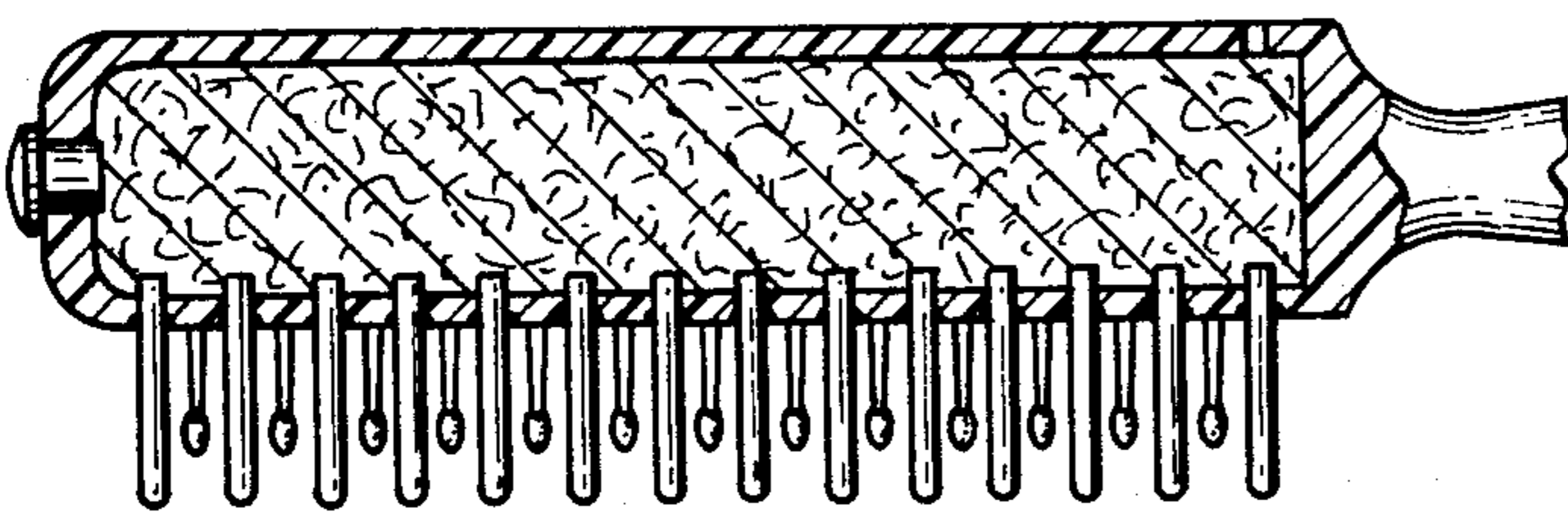


FIG. 6.

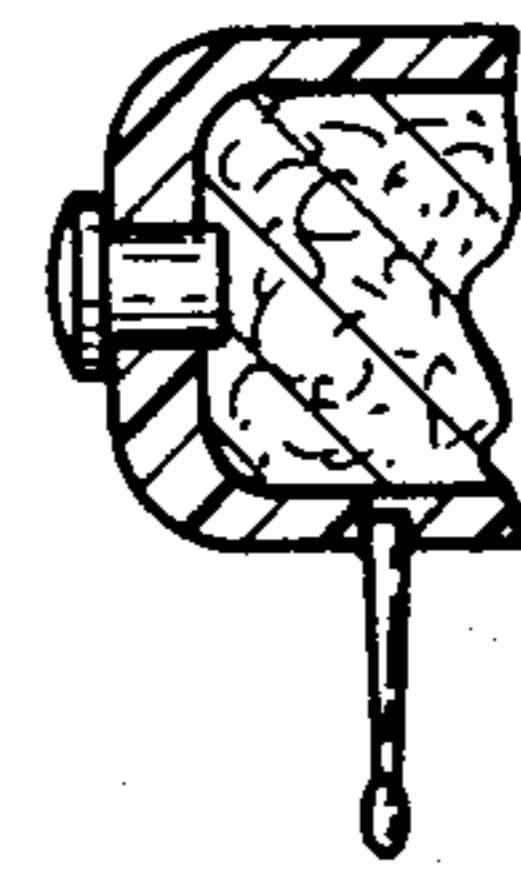


FIG. 7.