

[54] **PAINT TRAY**

[75] **Inventor: Kenneth W. Woolcock, Kellyville, Australia**

[73] **Assignee: Rota Cota Pty. Ltd., Gladesville, Australia**

[**] **Term: 14 Years**

[21] **Appl. No.: 715,315**

[22] **Filed: Mar. 25, 1985**

[30] **Foreign Application Priority Data**

Oct. 31, 1984 [AU] Australia 9412/84

[52] **U.S. Cl. D32/53.1**

[58] **Field of Search D32/53.1; 15/257.05, 15/257.06**

[56] **References Cited**

U.S. PATENT DOCUMENTS

D. 208,969 10/1967 Paxton D32/53.1
D. 280,855 10/1985 Smith D32/53.1
3,514,012 5/1970 Martin 15/257.06 X

Primary Examiner—Catherine E. Kemper
Attorney, Agent, or Firm—Millen & White

[57] **CLAIM**

The ornamental design for the paint tray, as shown and described.

DESCRIPTION

FIG. 1 is a perspective view taken from the front, right side and top of the paint tray according to my new design;

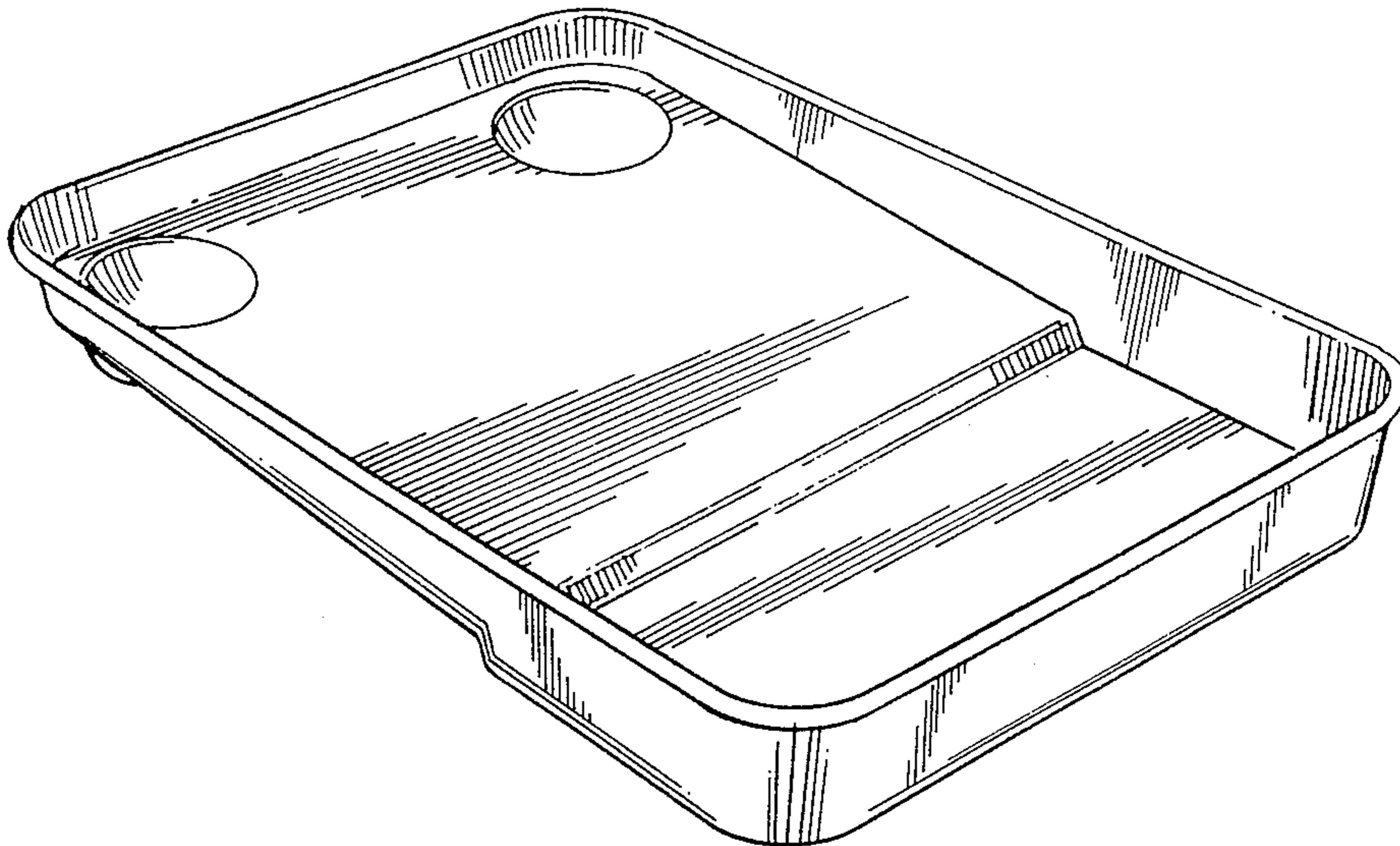
FIG. 2 is a top plan view thereof;

FIG. 3 is a bottom plan view thereof;

FIG. 4 is a right side elevational view thereof, the left side being the same;

FIG. 5 is a front elevational view thereof; and

FIG. 6 is a rear elevational view thereof.



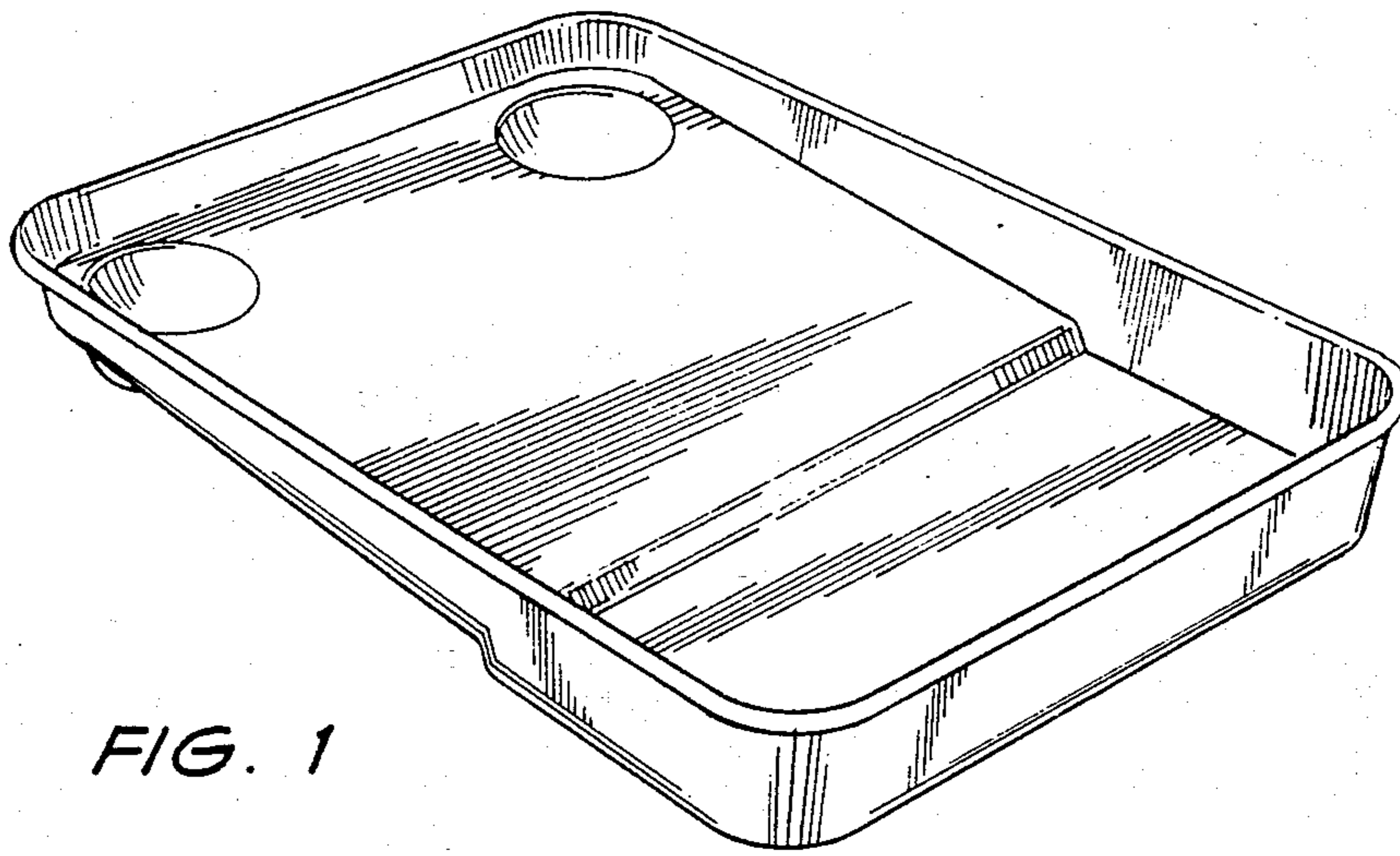
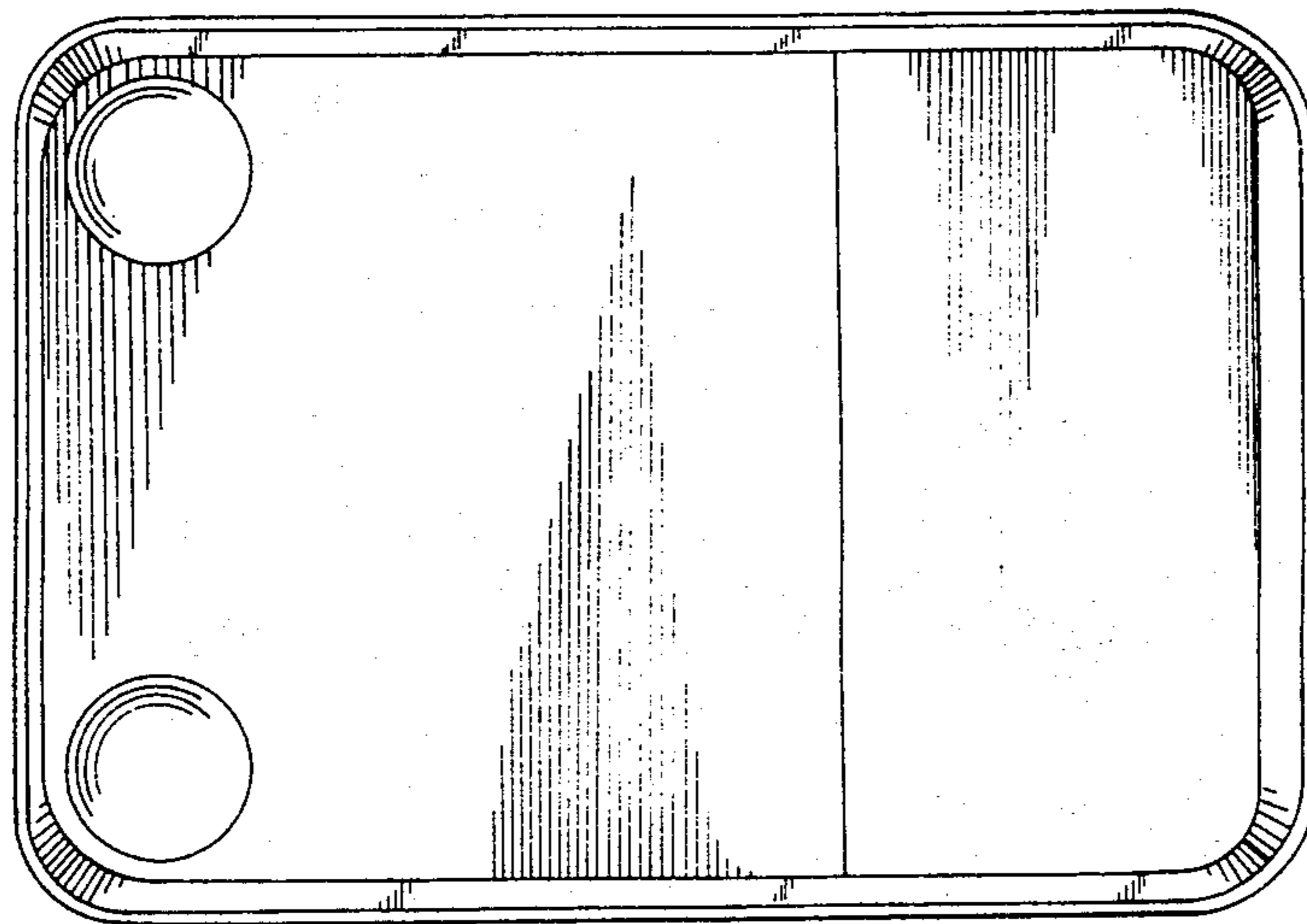


FIG. 1

FIG. 2



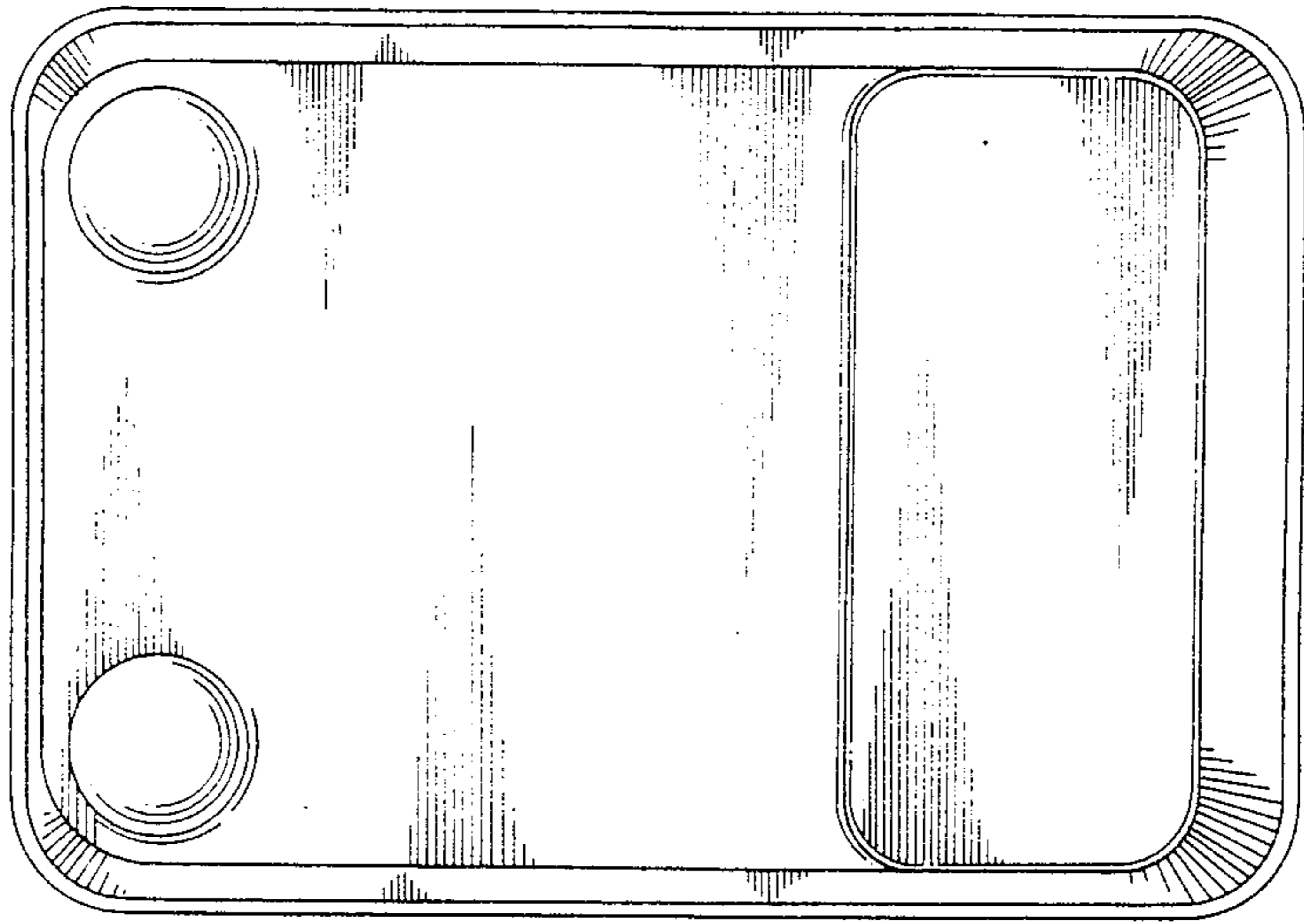


FIG. 3

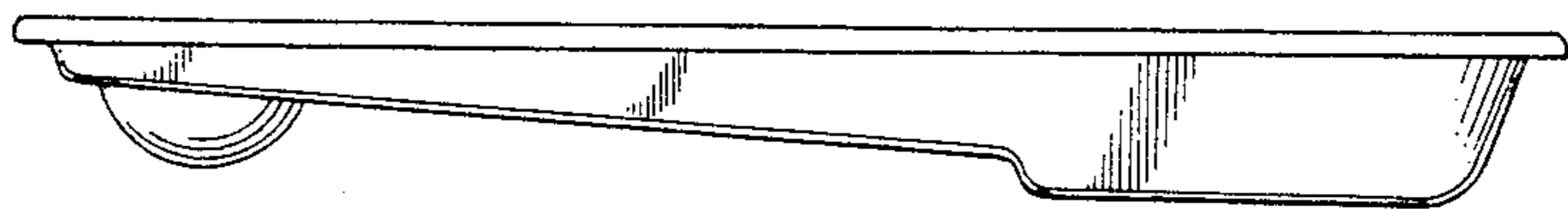


FIG. 4

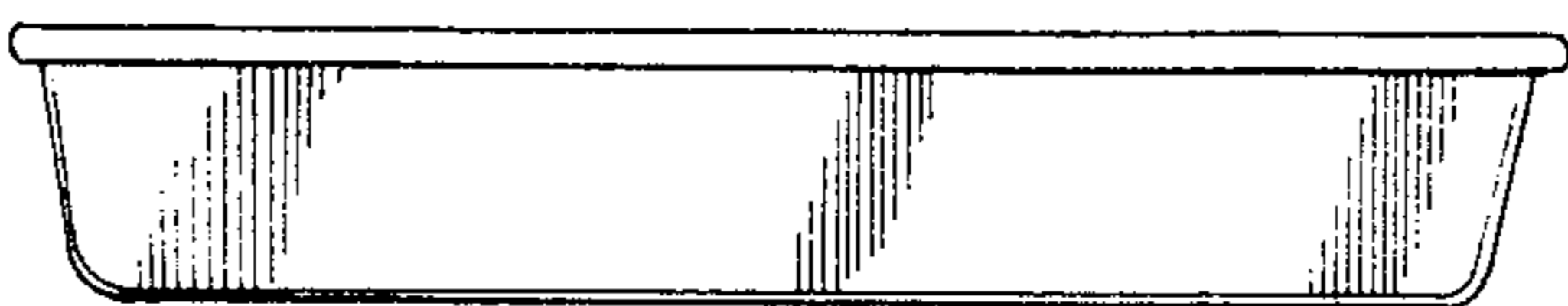


FIG. 5

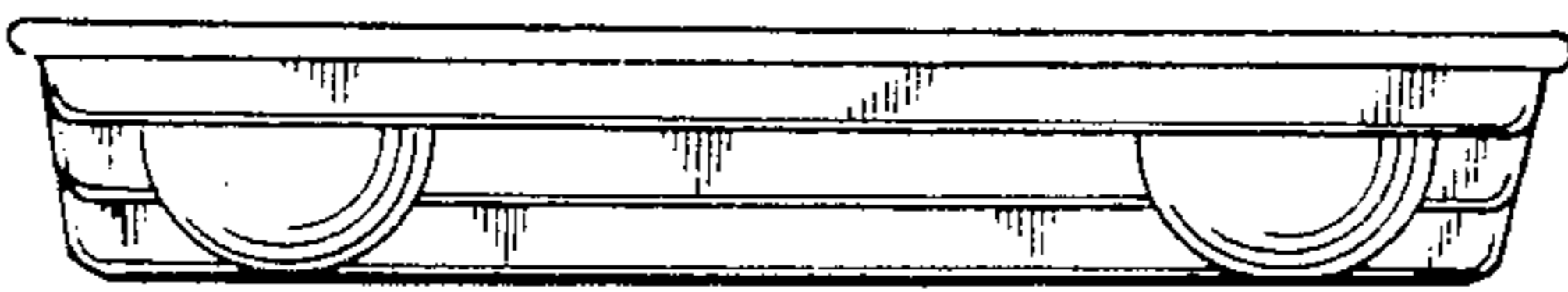


FIG. 6