

[54] PICK UP NOZZLE FOR A CARPET CLEANER

4,333,203 6/1982 Yonkers ..... 15/339

[75] Inventor: Edwin Fitzwater, Rahway, N.J.

[73] Assignee: The Regina Co., Inc., Rahway, N.J.

[\*\*] Term: 14 Years

[21] Appl. No.: 585,728

[22] Filed: Mar. 2, 1984

[52] U.S. Cl. .... D32/32

[58] Field of Search ..... D32/21-25, D32/30-33; 15/354-356, 414, 415 A, 415 R, 419-420, 421-422, 323, 325-326, 328, 337, 339, 344, 374; 55/DIG. 3; 239/176

[56] References Cited

U.S. PATENT DOCUMENTS

D. 242,212	11/1976	Parise et al. ....	D32/32
1,951,316	3/1934	Allen .....	D32/32
3,147,510	9/1964	Thompson .....	15/337
4,075,733	2/1978	Parise et al. ....	15/322

OTHER PUBLICATIONS

Montgomery Ward Catalog, Fall & Winter 1981, p. 1039, Item A-Hot Water Steam Type Extraction Cleaner.

Primary Examiner—Wallace R. Burke  
Assistant Examiner—Ruth E. Takemoto  
Attorney, Agent, or Firm—Martin LuKacher

[57] CLAIM

The ornamental design for pick up nozzle for a carpet cleaner, as shown and described.

DESCRIPTION

FIG. 1 is a front elevational view of a pick up nozzle for a carpet cleaner showing my new design.  
FIG. 2 is a bottom plan view thereof;  
FIG. 3 is a side elevational view thereof, the opposite side being a mirror image;  
FIG. 4 is rear elevational view thereof;  
FIG. 5 is a top plan view thereof; and  
FIG. 6 is a top, front and side perspective view thereof.

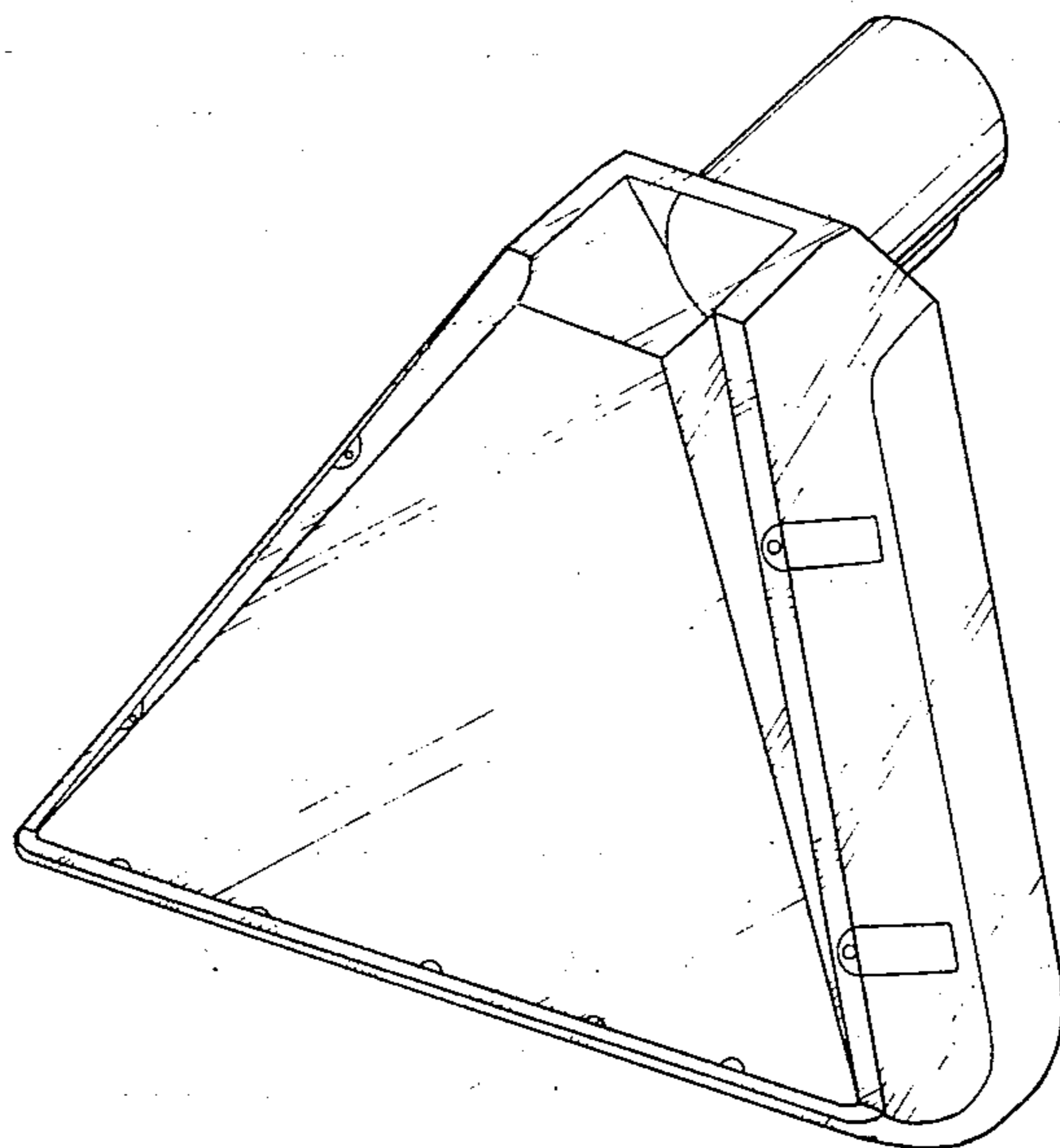


FIG. 1

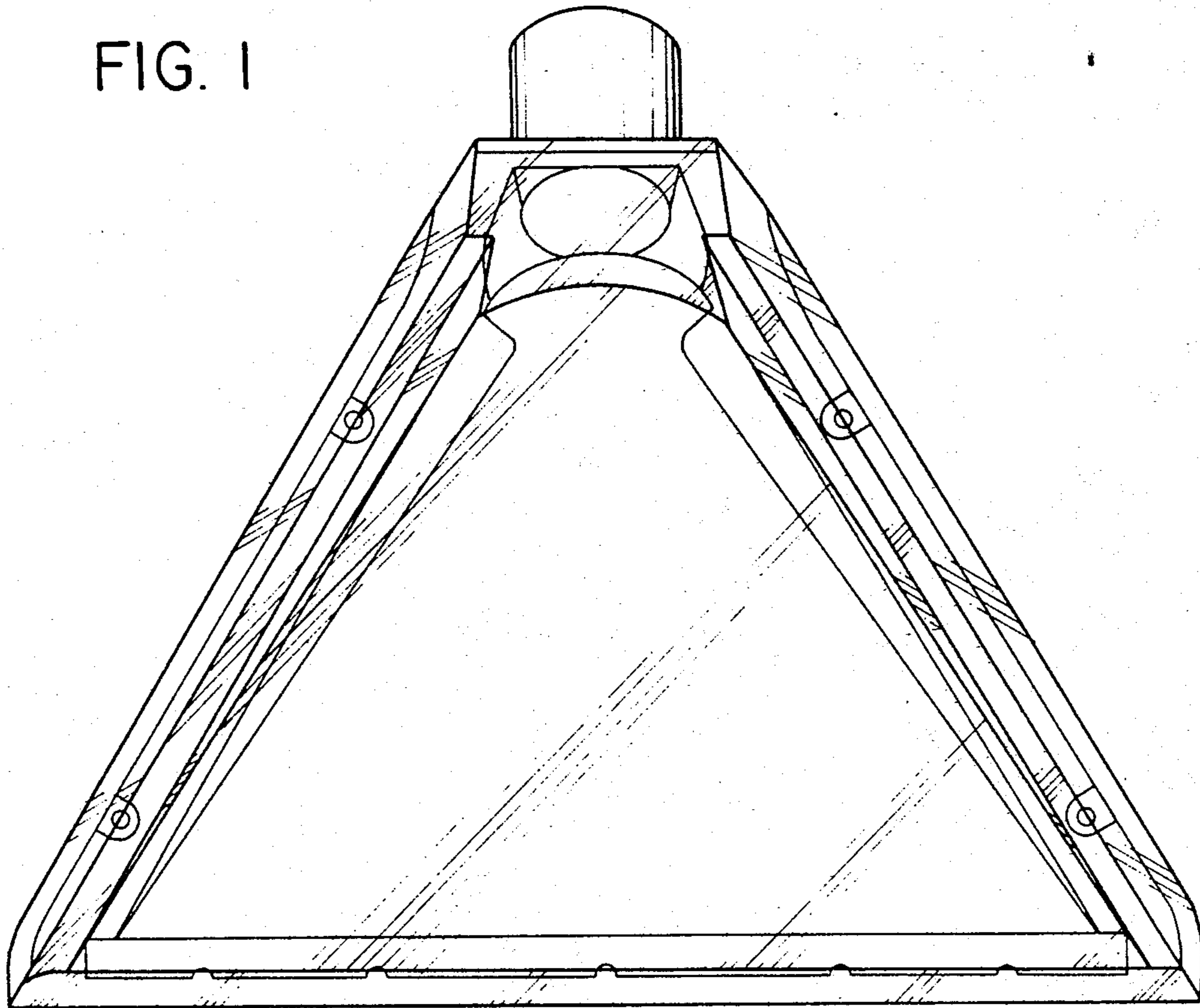


FIG. 2

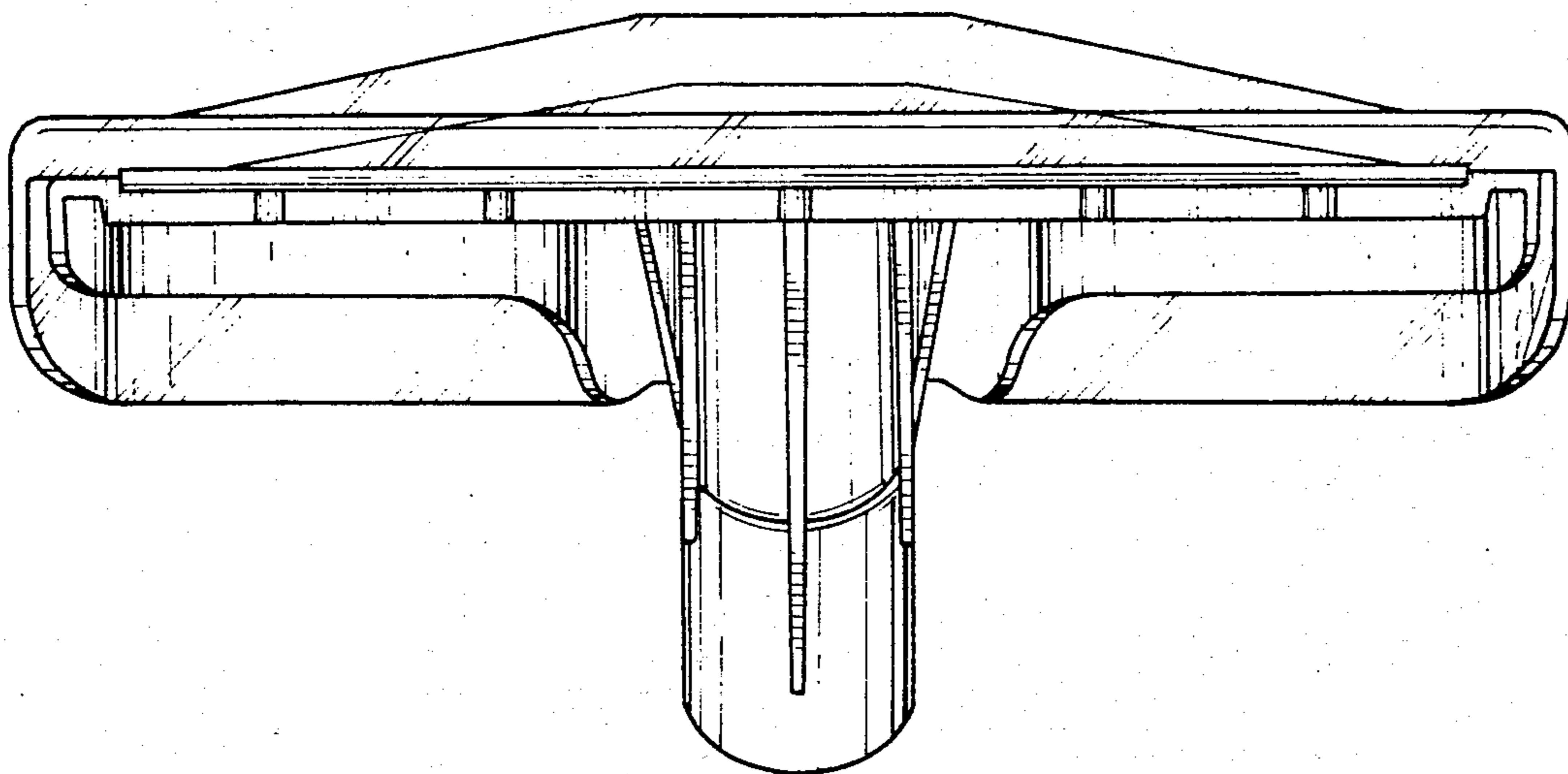


FIG. 3.

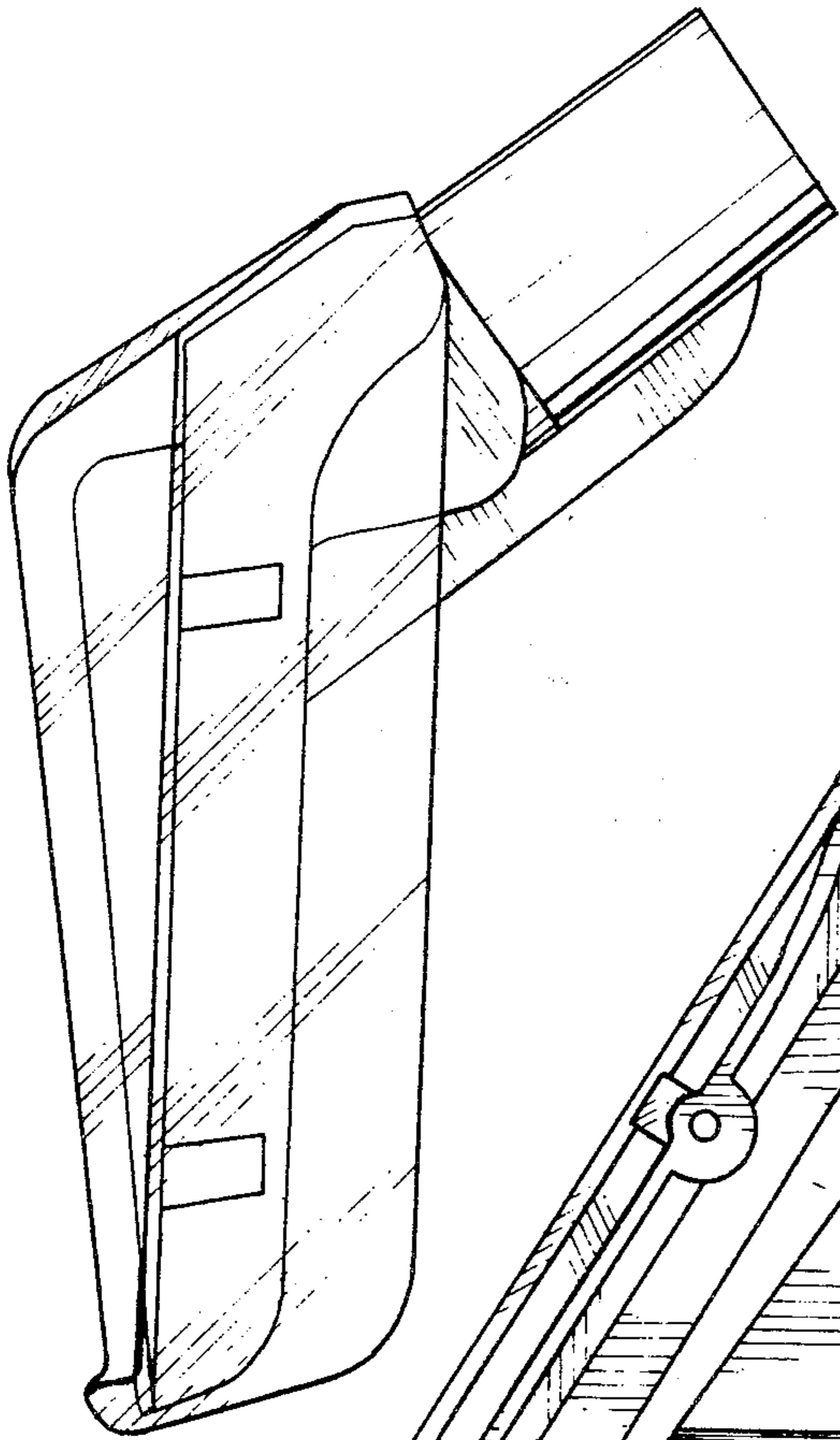


FIG. 4

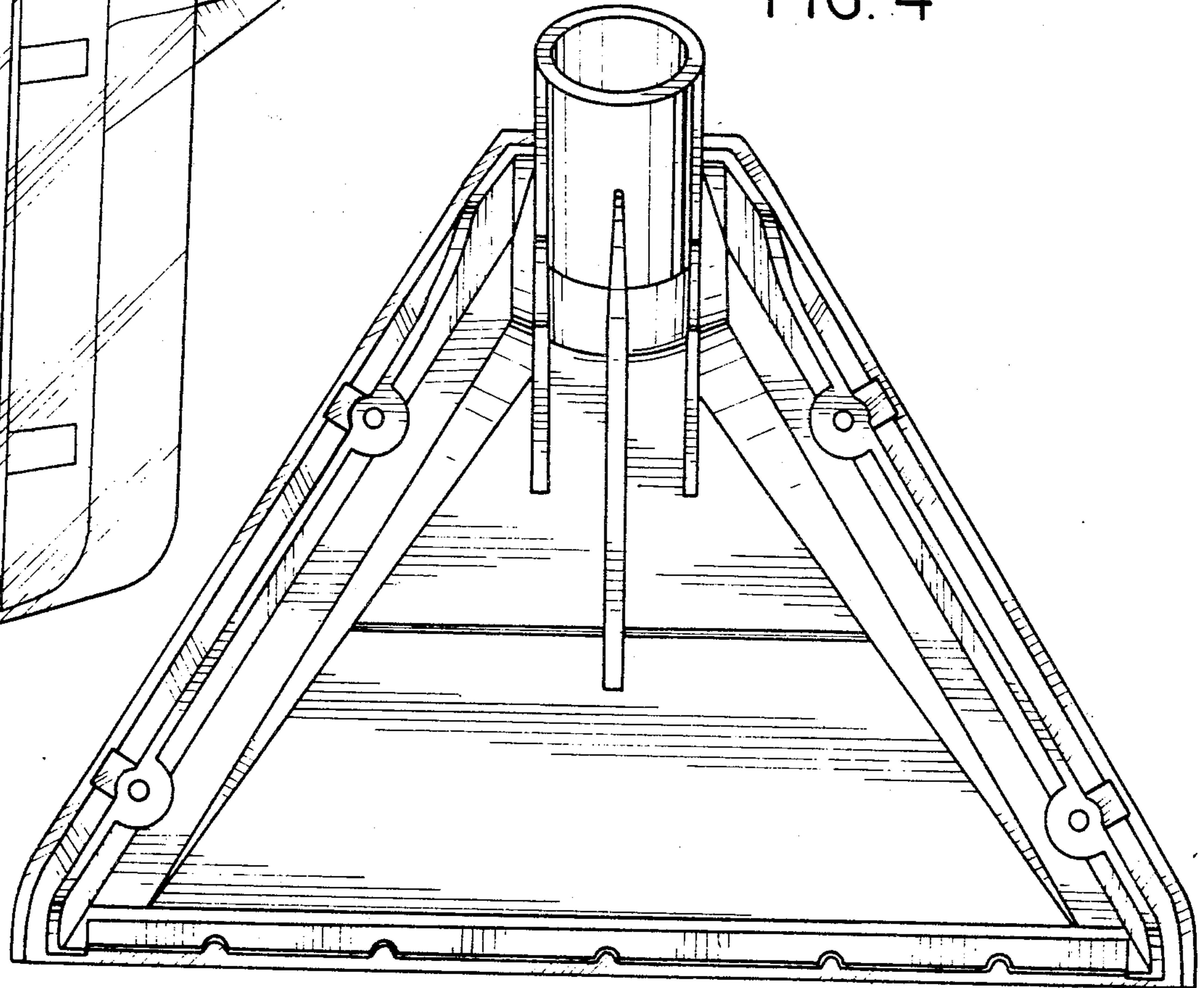
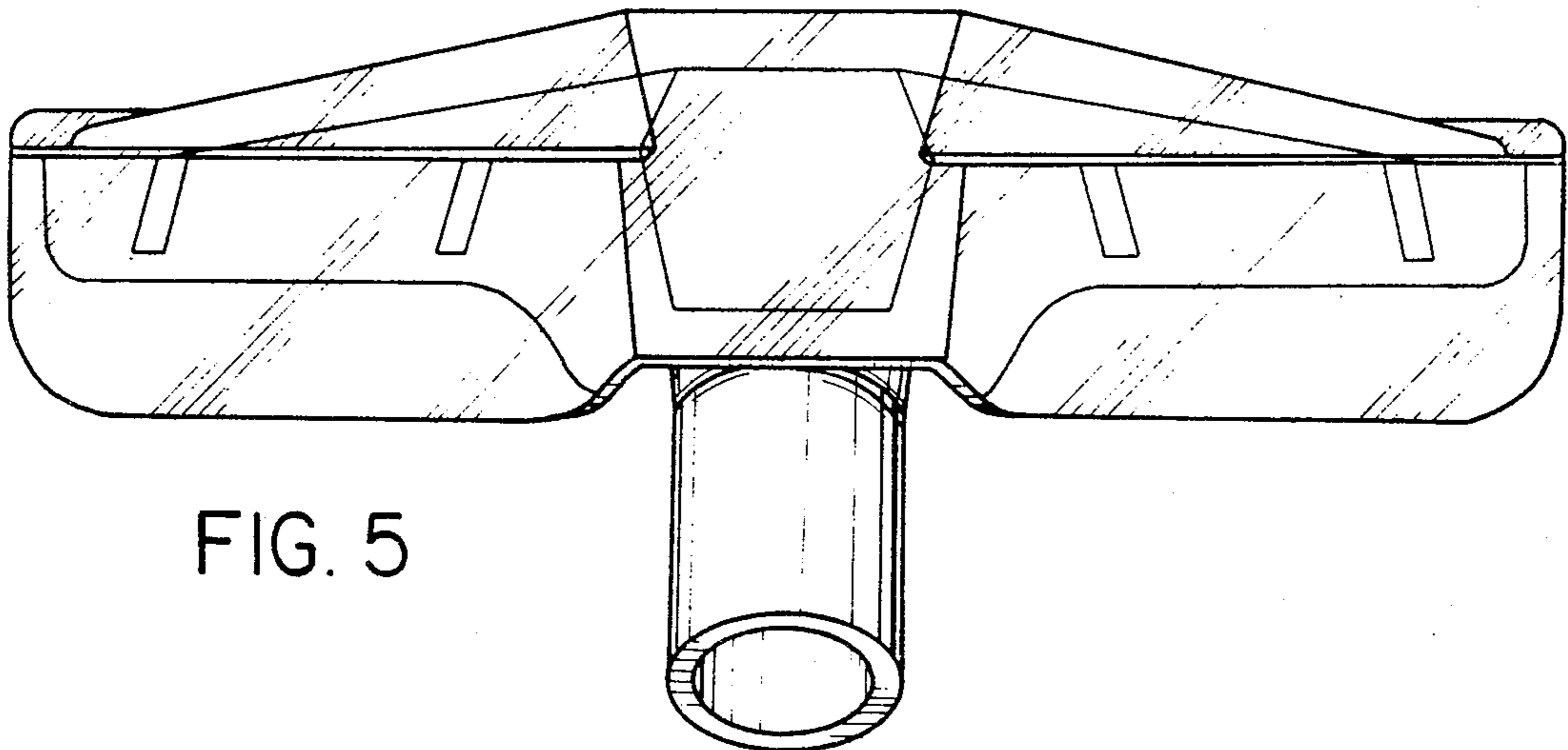


FIG. 5





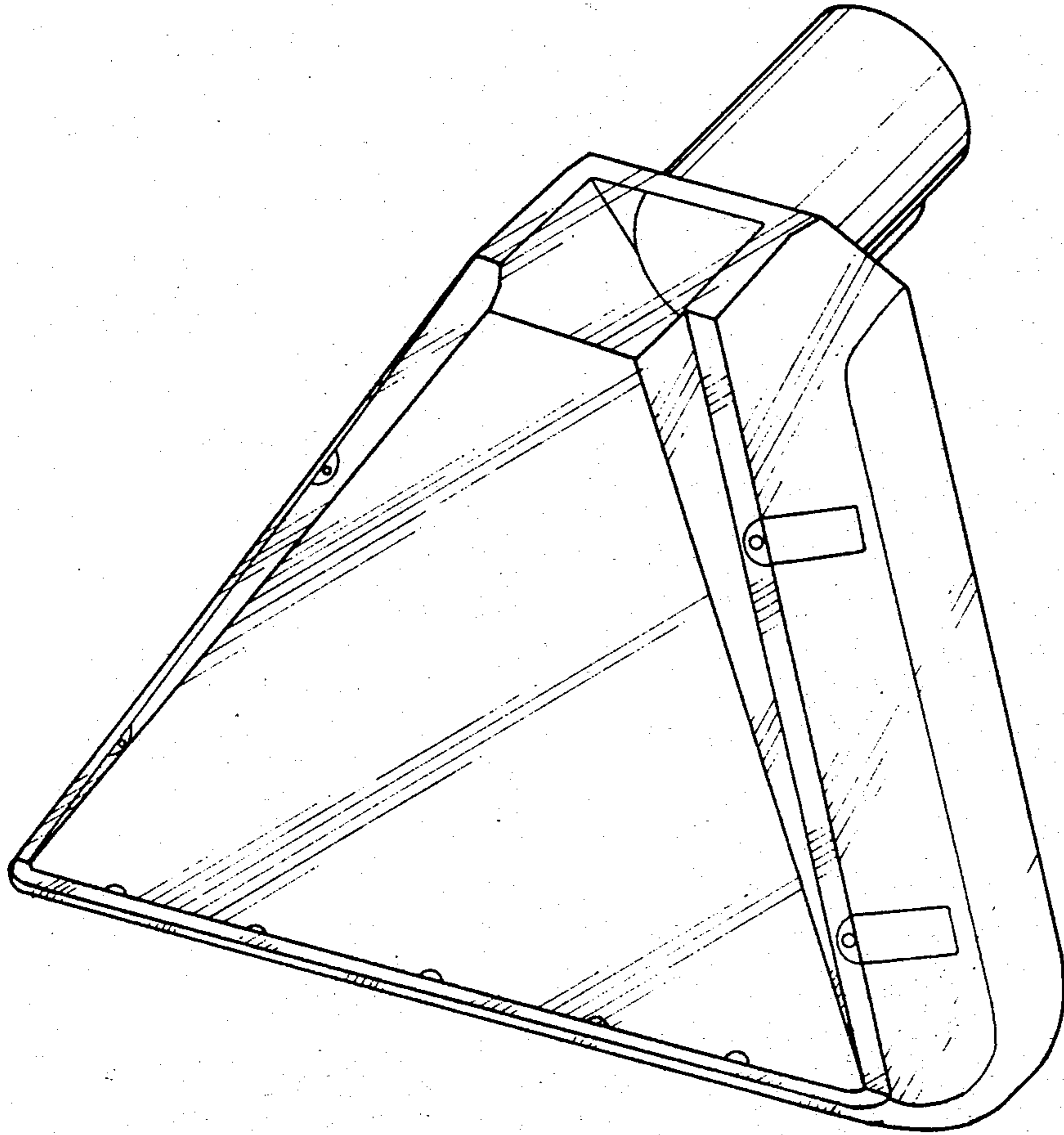


FIG. 6