

[54] PORTABLE LAMP FOR JOGGERS OR THE LIKE

[75] Inventor: Günter Dannhauer, Grünwald, Fed. Rep. of Germany

[73] Assignee: O S R A M Gesellschaft mit beschränkter Haftung, Munich, Fed. Rep. of Germany

[**] Term: 14 Years

[21] Appl. No.: 682,799

[22] Filed: Dec. 18, 1984

[30] Foreign Application Priority Data

Jun. 18, 1984 [DE] Fed. Rep. of Germany MR13933
[52] U.S. Cl. D26/37
[58] Field of Search D26/37-49; 362/157, 183-208

[56] References Cited

U.S. PATENT DOCUMENTS

- D. 274,758 7/1984 Shing D26/39
1,086,868 5/1931 Wolf D26/39 X
1,121,247 12/1914 Hirsch .
3,133,705 5/1964 Eickelman .
3,745,993 7/1973 Feinbloom .
3,852,587 12/1974 Koehler 362/189 X
4,199,802 4/1980 Malm .
4,298,913 11/1981 Lozar .
4,317,161 2/1982 Aiello, Jr. .
4,317,162 2/1982 Richards et al. 362/183 X
4,530,112 7/1985 Cecala et al. .

FOREIGN PATENT DOCUMENTS

- 286976 9/1915 Fed. Rep. of Germany .
1622034 12/1971 Fed. Rep. of Germany .
2205957 5/1974 France .
2305684 10/1976 France .
405829 2/1934 United Kingdom .
1109044 4/1968 United Kingdom .
1115570 5/1968 United Kingdom .

Primary Examiner—Susan J. Lucas

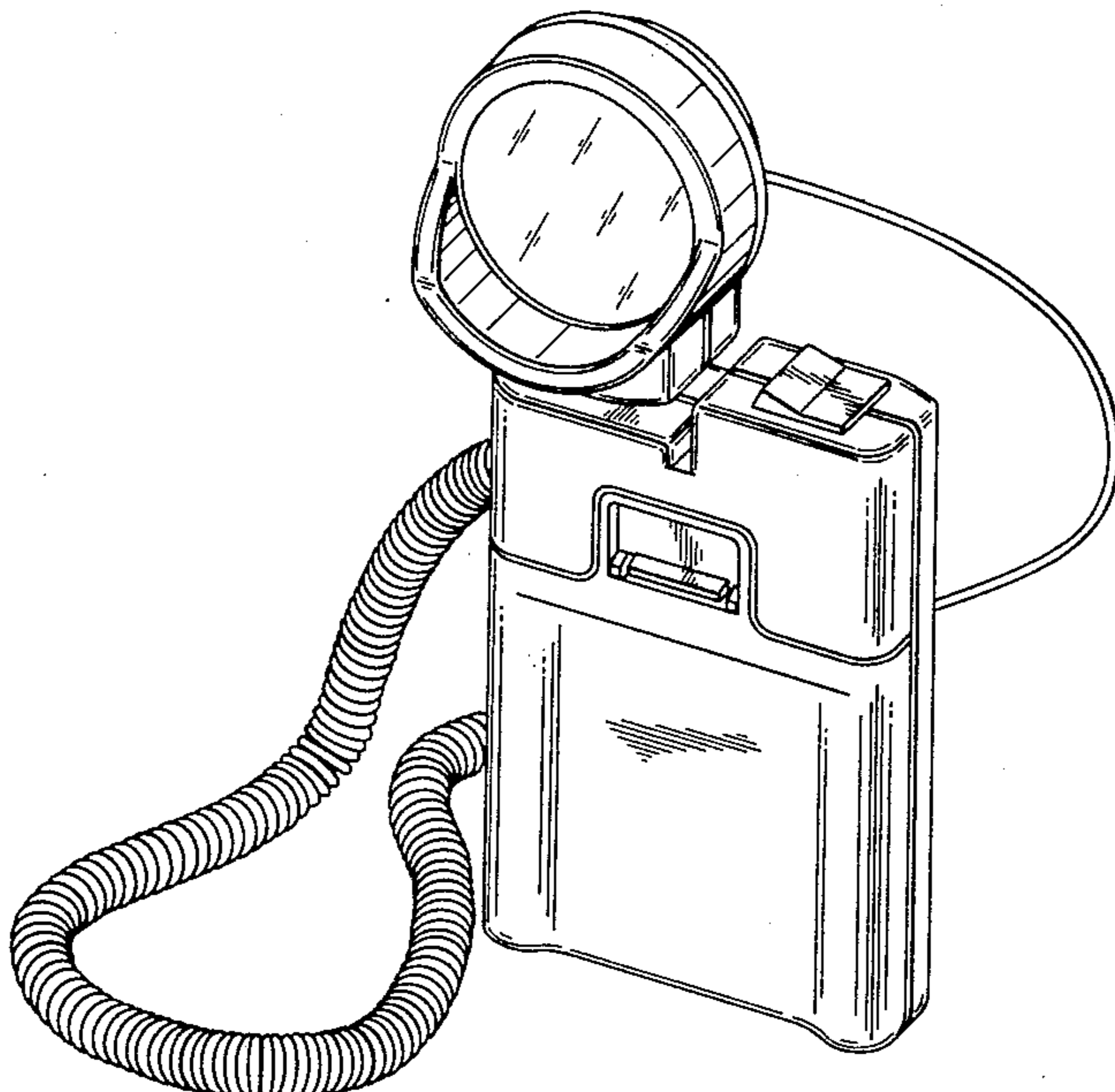
Attorney, Agent, or Firm—Frishauf, Holtz, Goodman & Woodward

[57] CLAIM

The ornamental design for a portable lamp for joggers or the like, substantially as shown and described.

DESCRIPTION

FIG. 1 is a front perspective view of the portable lamp for joggers or the like showing my new design, the lamp unit and battery holder in assembled condition; FIG. 2 is a rear perspective view thereof, the lamp unit set on the battery holder with its light emitting lens to the rear; FIG. 3 is a front perspective view thereof, the lamp unit detached from the battery holder with the headband shown in broken lines for illustrative purposes only; FIG. 4 is a front elevational view thereof in assembled condition; FIG. 5 is a right side view thereof; FIG. 6 is a left side elevational view thereof in assembled condition; FIG. 7 is a rear elevational view thereof in assembled condition; FIG. 8 is a top plan view thereof in assembled condition; FIG. 9 is a bottom plan view thereof; FIGS. 10 and 11 are respectively a top plan view and a left side elevational view of the battery holder, the lamp unit being omitted for purposes of disclosure; FIG. 12 is an enlarged rear elevational view of the lamp unit, the battery holder being omitted for purposes of disclosure; FIG. 13 is a bottom plan view of the lamp unit, the battery holder being omitted for purposes of disclosure; and FIG. 14 is a bottom-left perspective view of the lamp unit detached from the battery holder. The bottom surface of the connecting bracket (designated 2 in FIG. 15) is one member of a hook-and-loop connector for connecting to the headband of FIG. 3, the outer surface of which is the other member of the hook-and-loop connector.



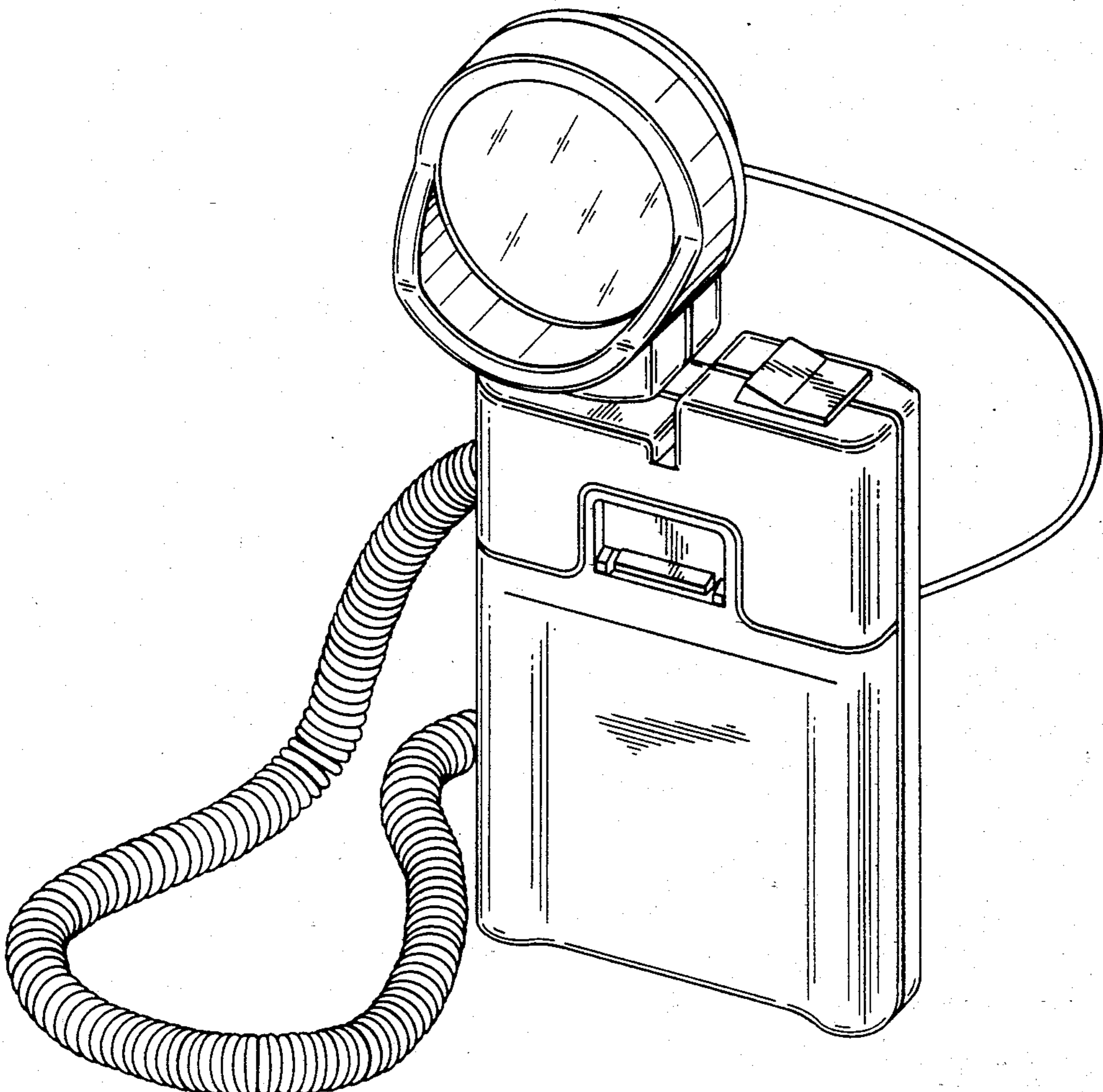


Fig. 1

Fig. 2

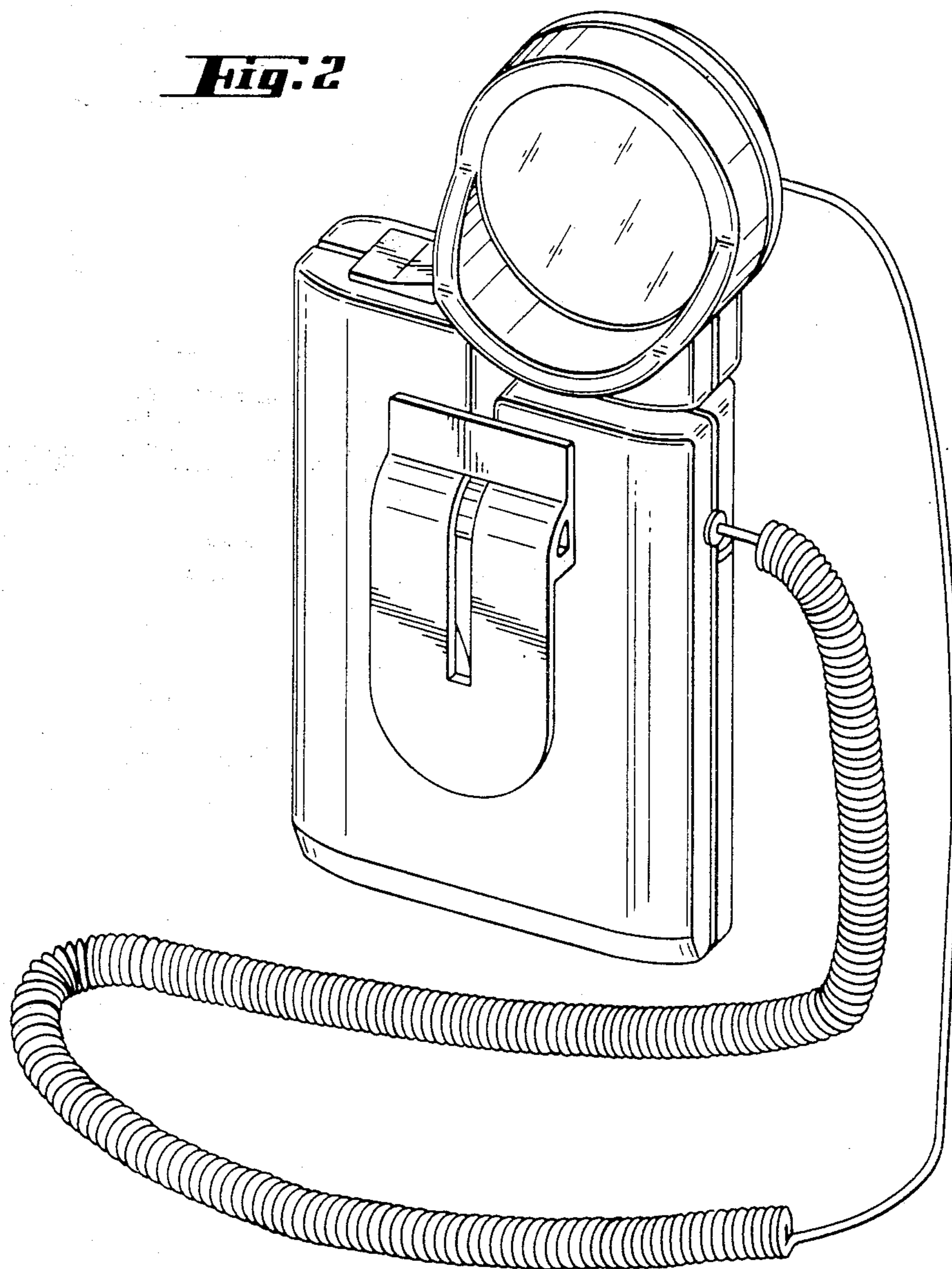
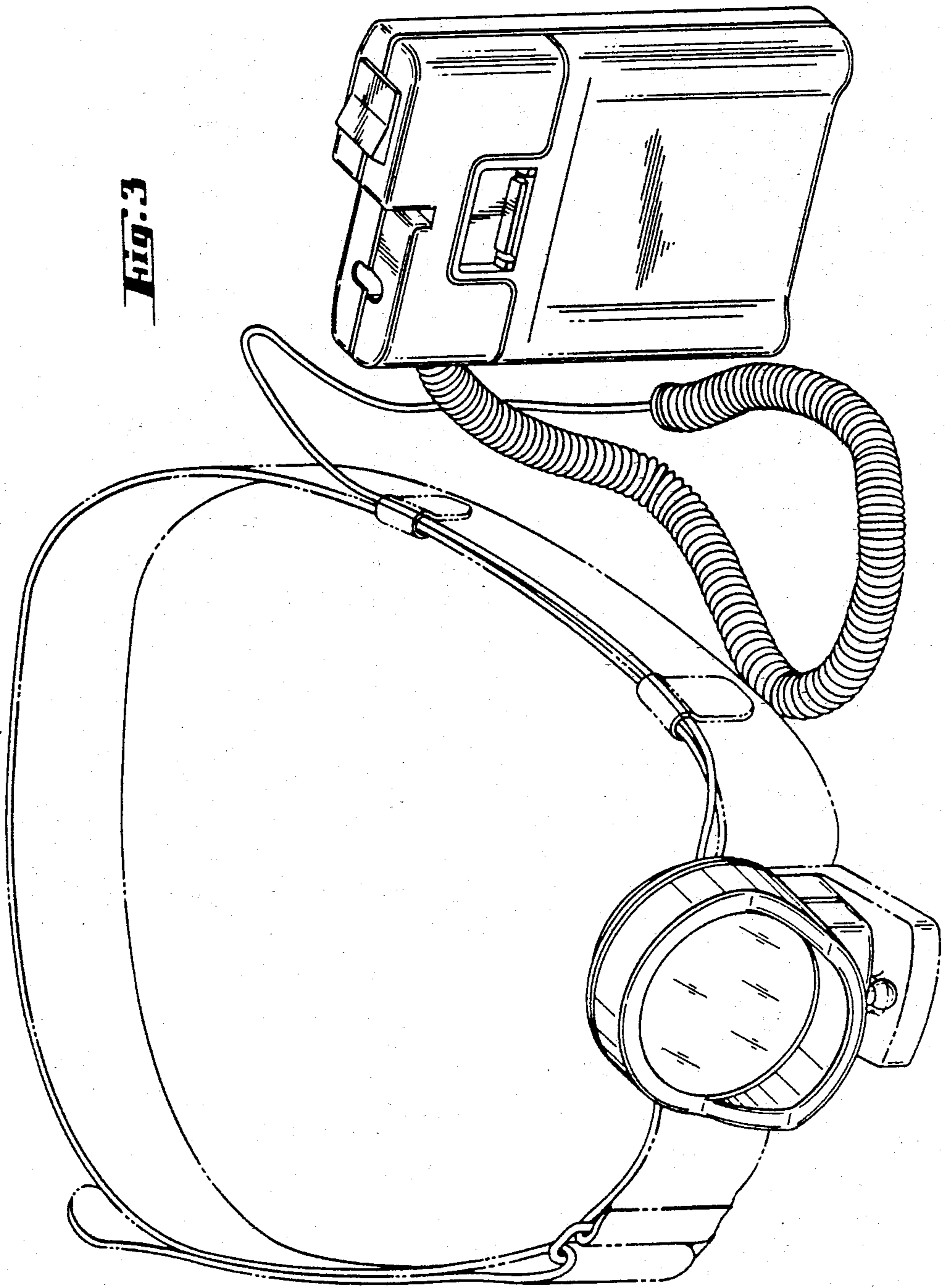


Fig. 3



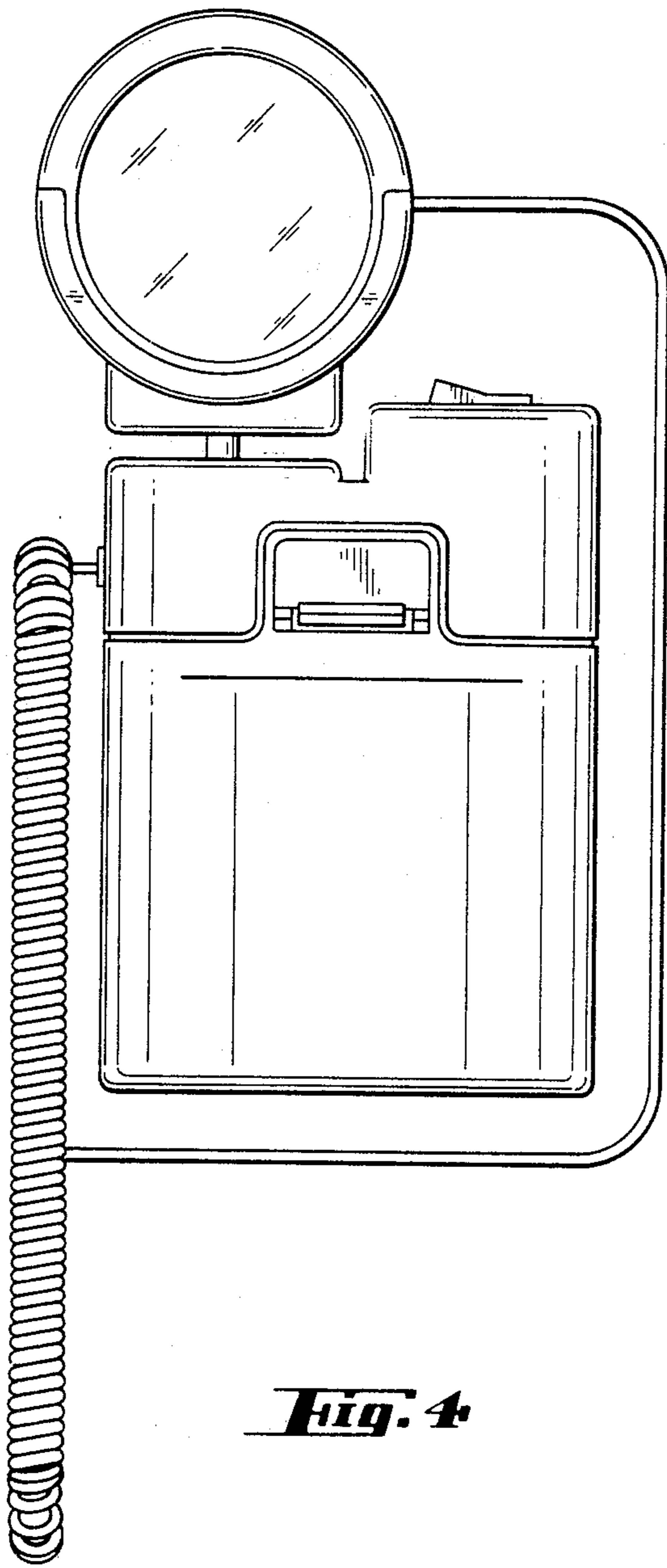


Fig. 4

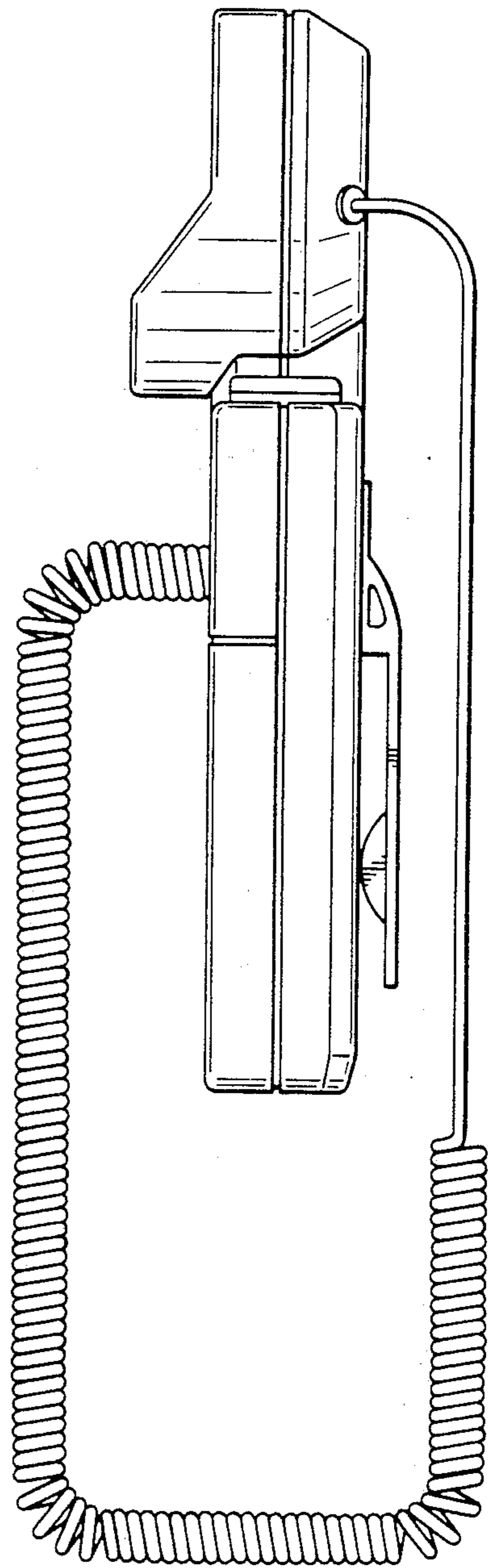


Fig. 5

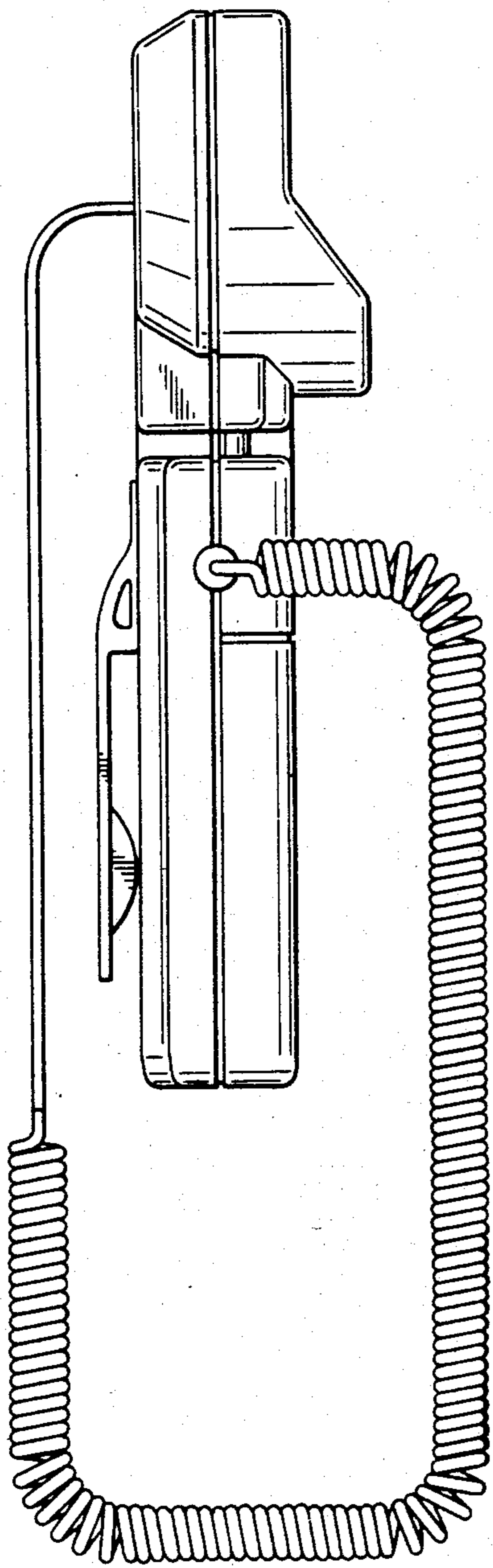


Fig. 6

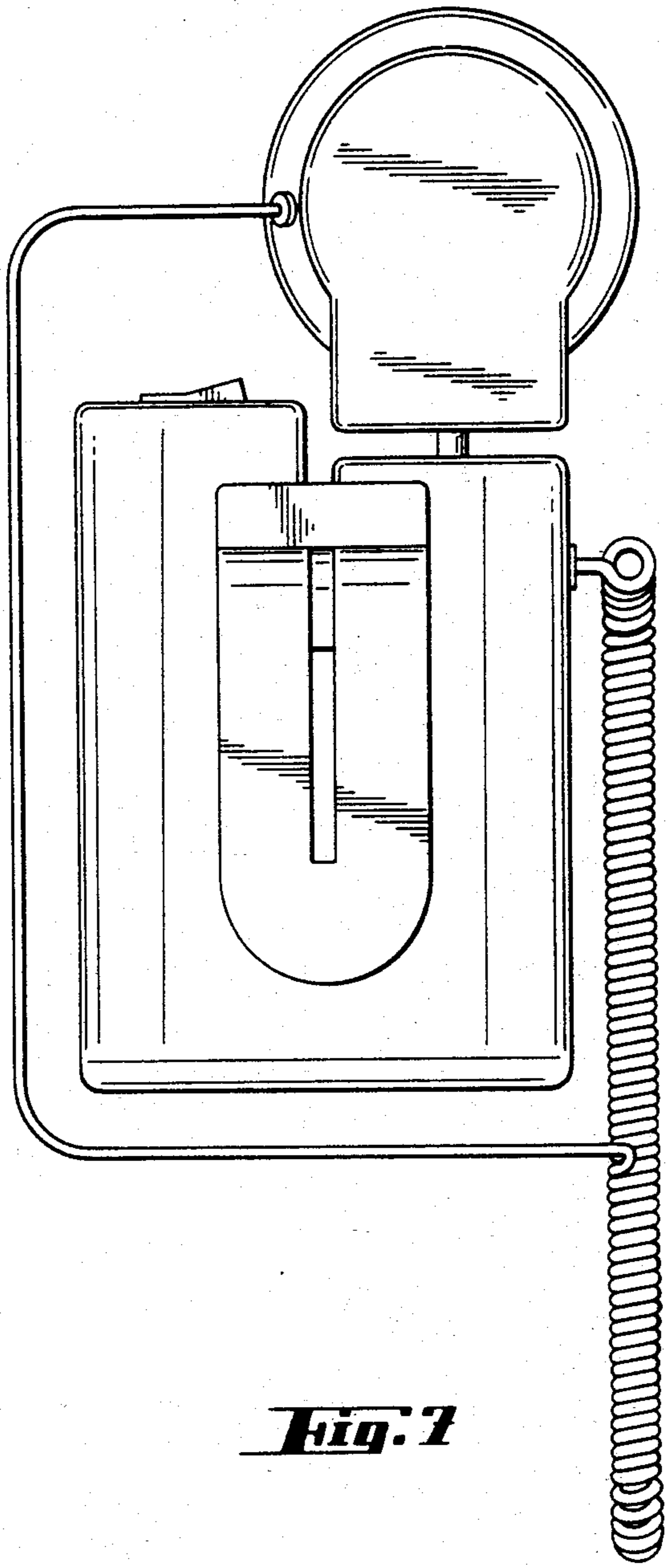


Fig. 7

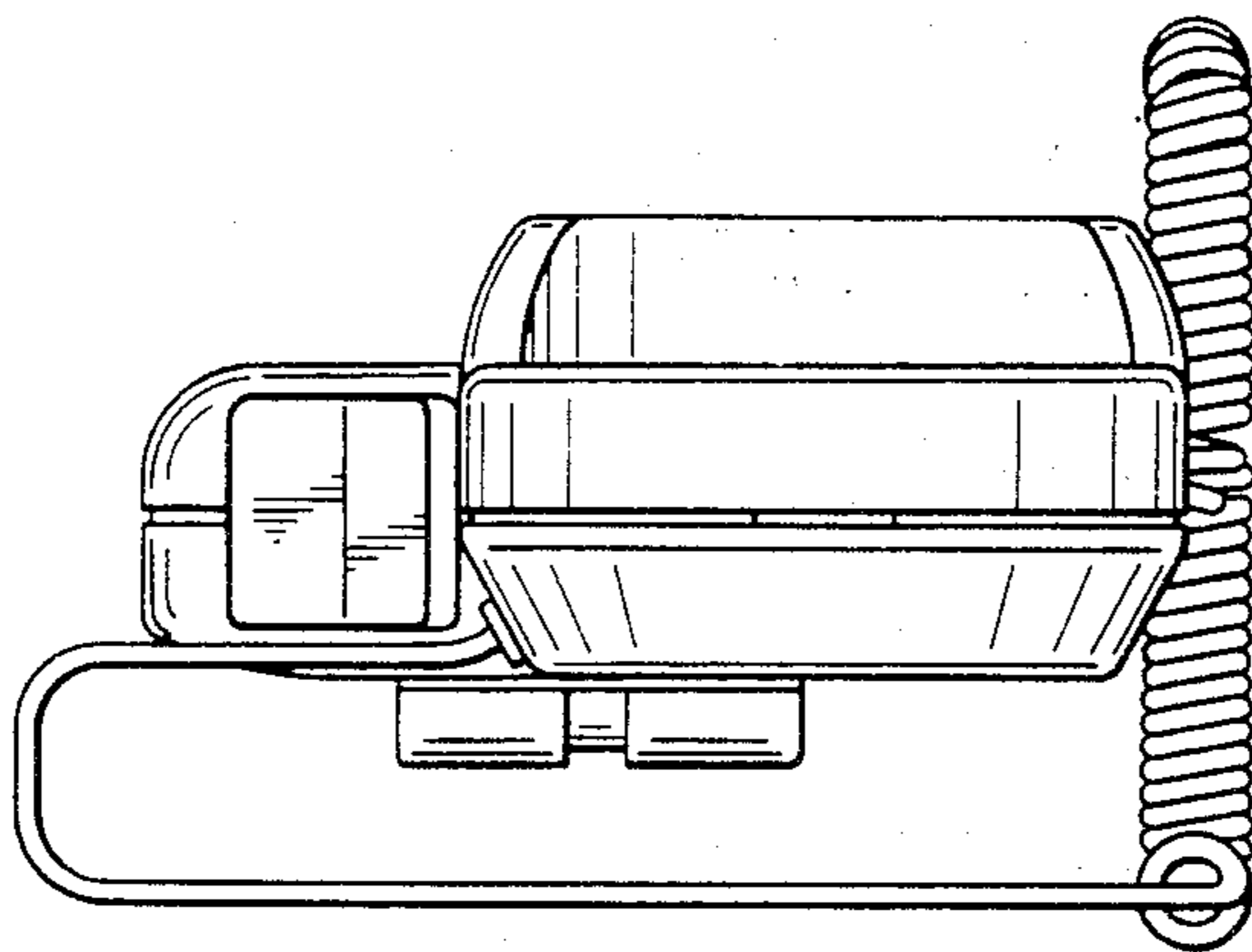


Fig. 8

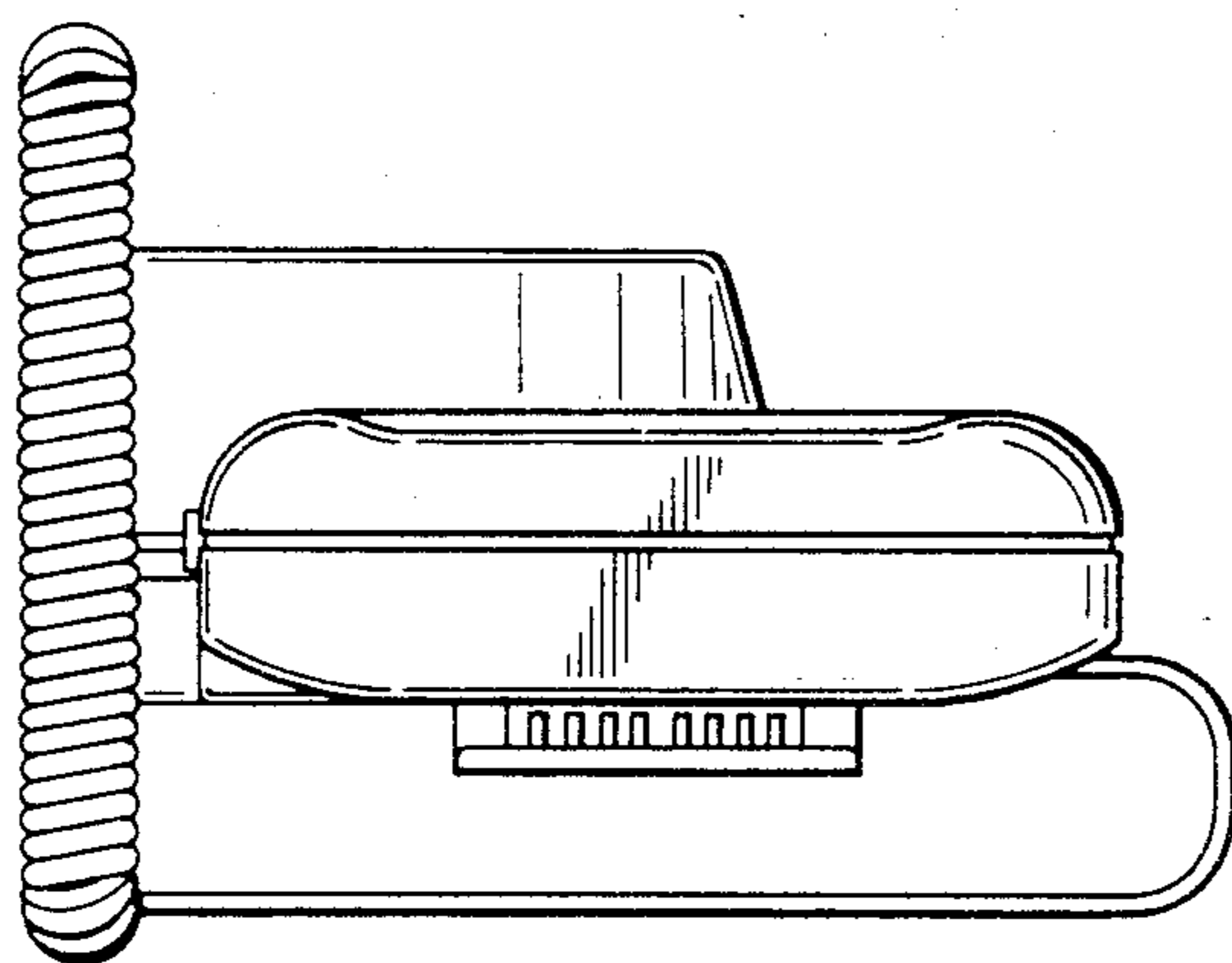


Fig. 9

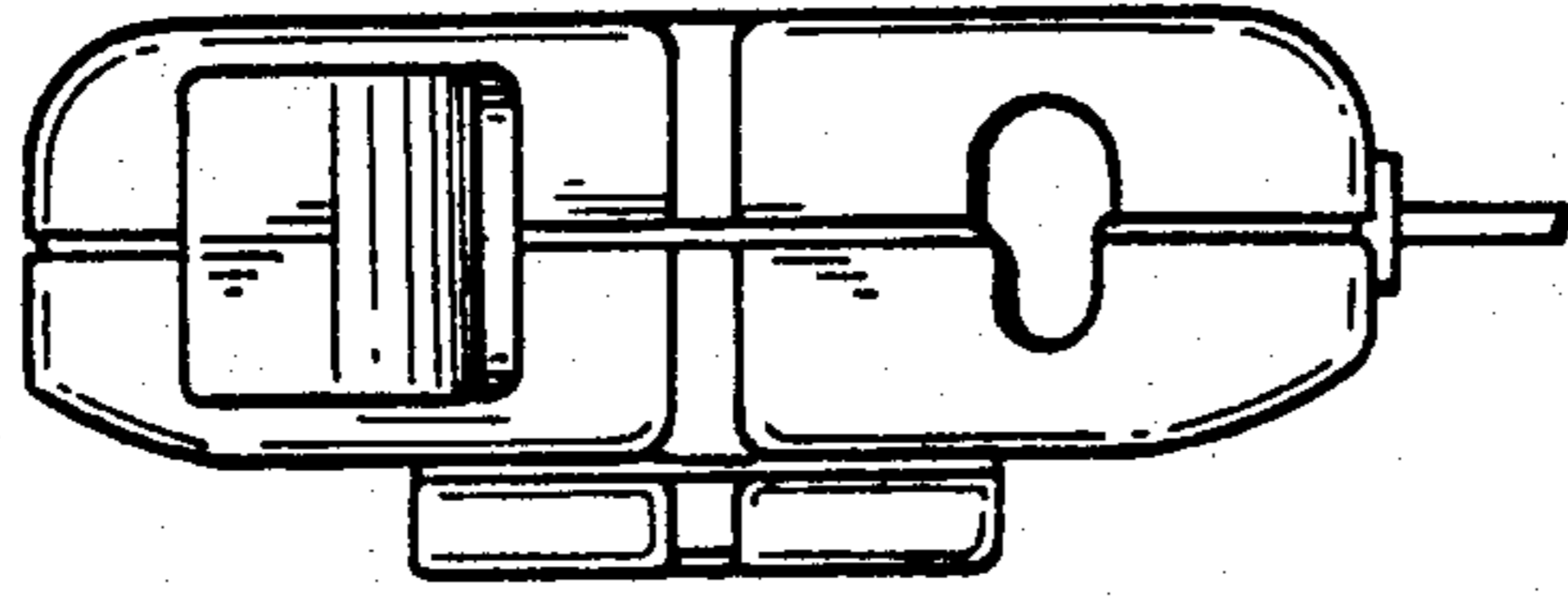


Fig. 10

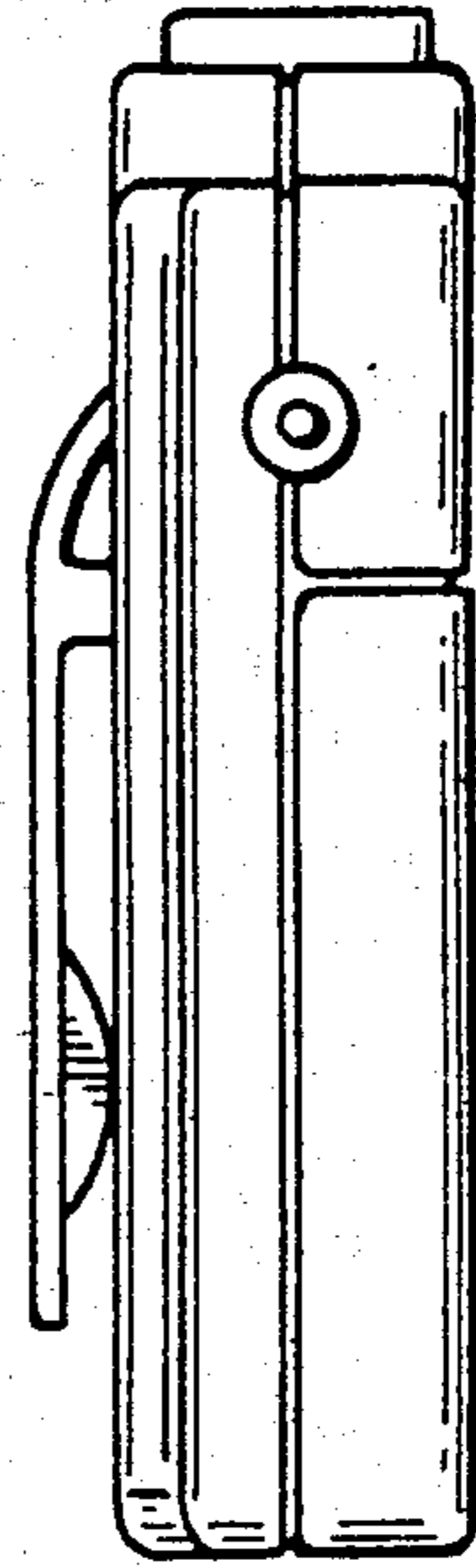


Fig. 11

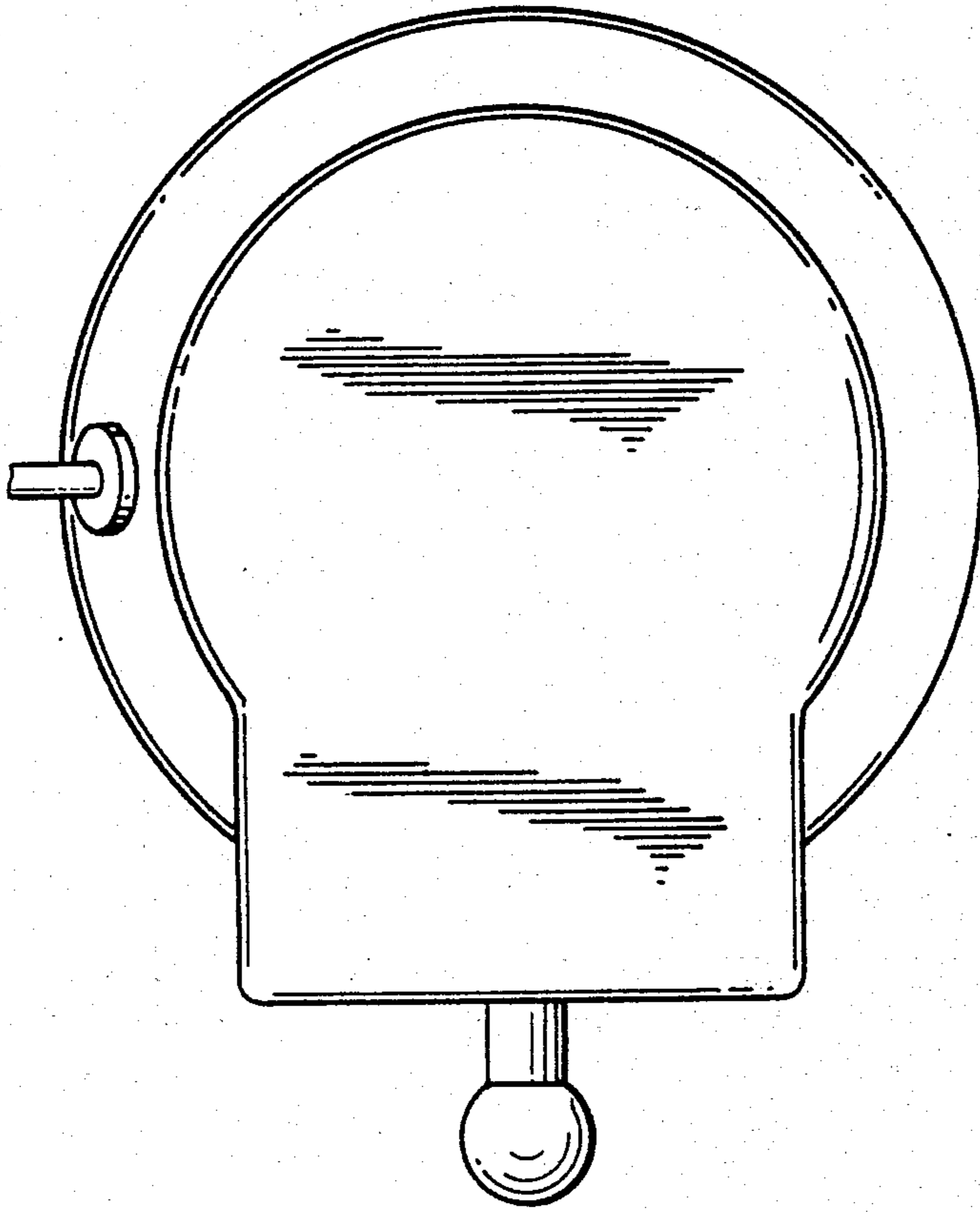


Fig. 12

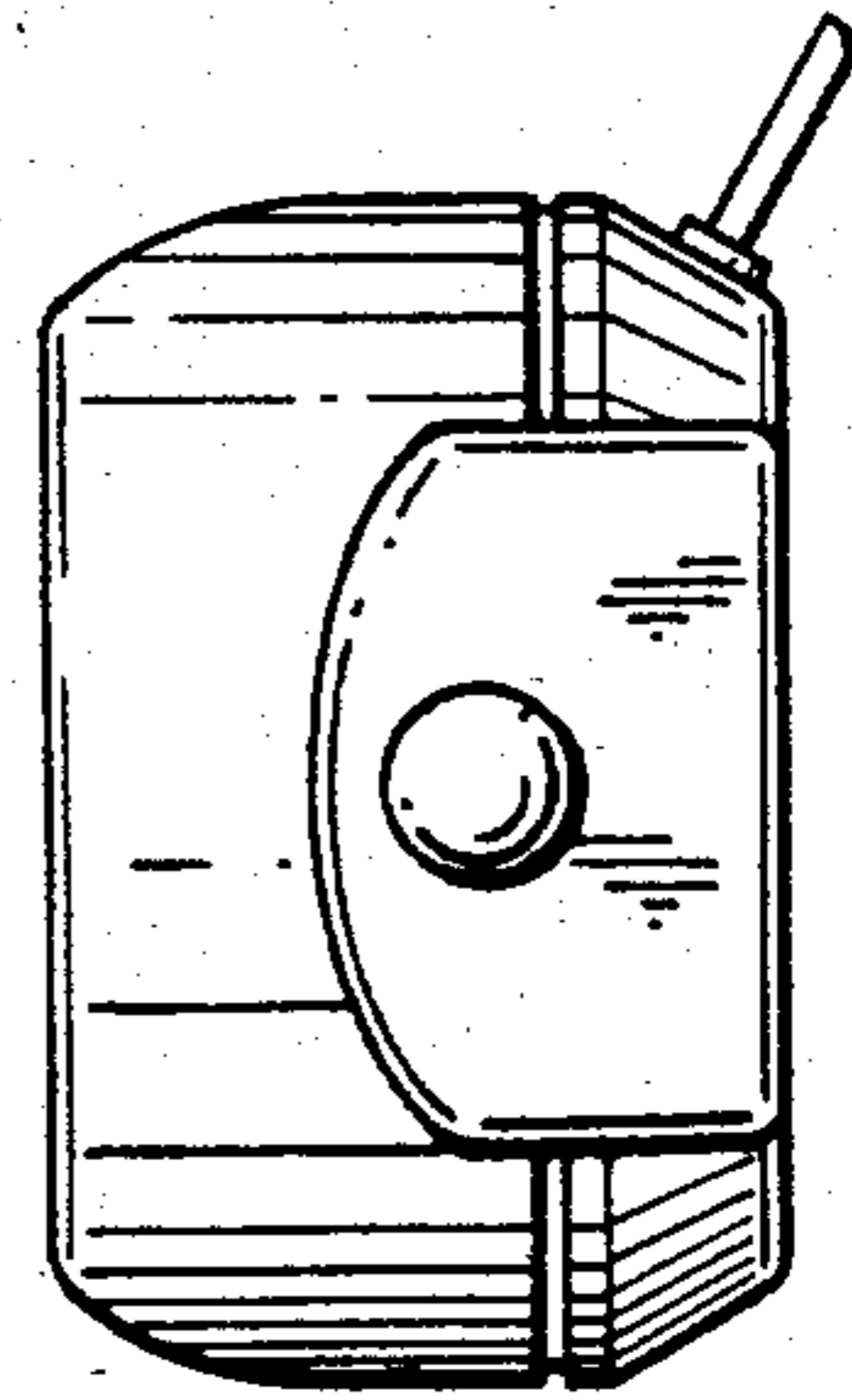


Fig. 13

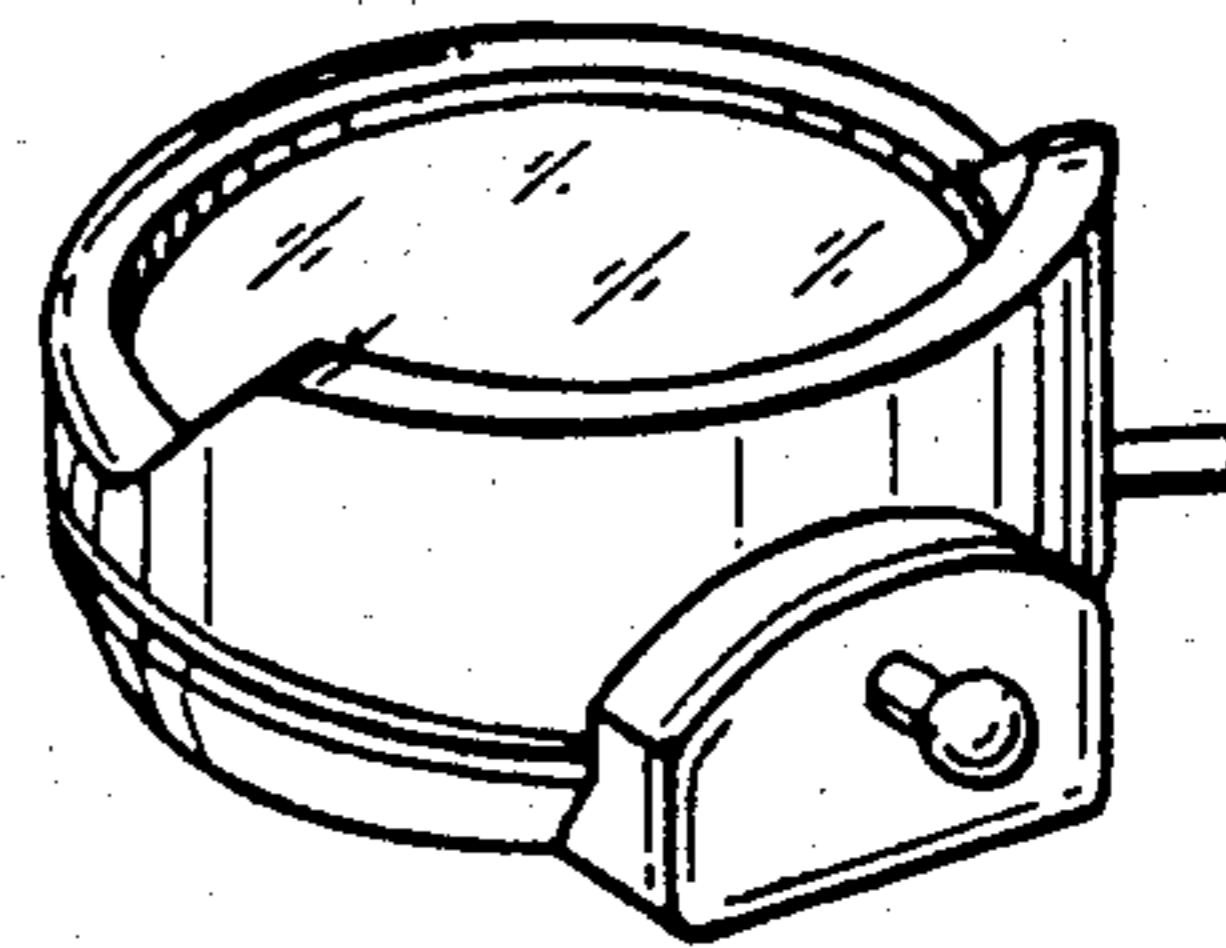


Fig. 14