

[54] **APARTMENT BUILDING**

[76] **Inventor:** James A. Rhodes, 42 E. Gay St., Ste. 1300, Columbus, Ohio 43215  
[\*\*] **Term:** 14 Years  
[21] **Appl. No.:** 613,688  
[22] **Filed:** May 24, 1984  
[52] **U.S. Cl. ....** D25/5; D25/31  
[58] **Field of Search ....** D25/1, 5, 18, 19, 31, D25/32; 52/79.4, 236.2, 236.1, 236.3

[56] **References Cited**

**U.S. PATENT DOCUMENTS**

D. 208,460	9/1967	Marcott .....	D25/31 X
D. 214,367	6/1969	Mills, Jr. et al. ....	D25/31 X
4,434,595	3/1984	de Brabant .....	D25/31 X
4,555,877	12/1985	Libra .....	D25/31 X

**OTHER PUBLICATIONS**

Architectural Forum, Dec. 1962, p. 49, Figure 1, Airport Hotel.

*Primary Examiner*—A. Hugo Word  
*Attorney, Agent, or Firm*—Beveridge, De Grandi & Weilacher

[57] **CLAIM**

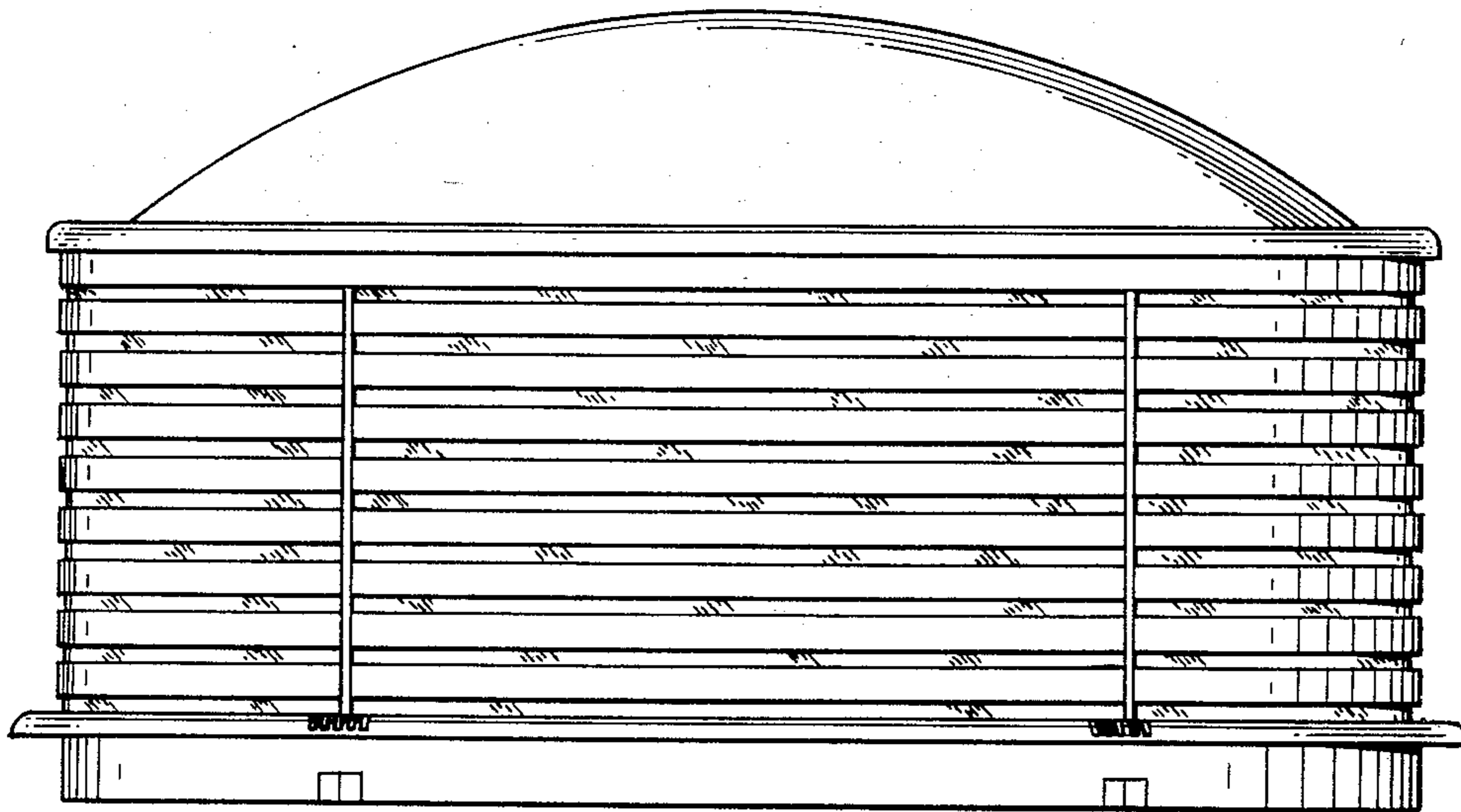
The ornamental design for an apartment building, as shown.

**DESCRIPTION**

FIG. 1 is a perspective view of an apartment building in accordance with my design.

FIG. 2 is a top plan view of an apartment building in accordance with my design.

FIG. 3 is an elevational view of an apartment building in accordance with my design.



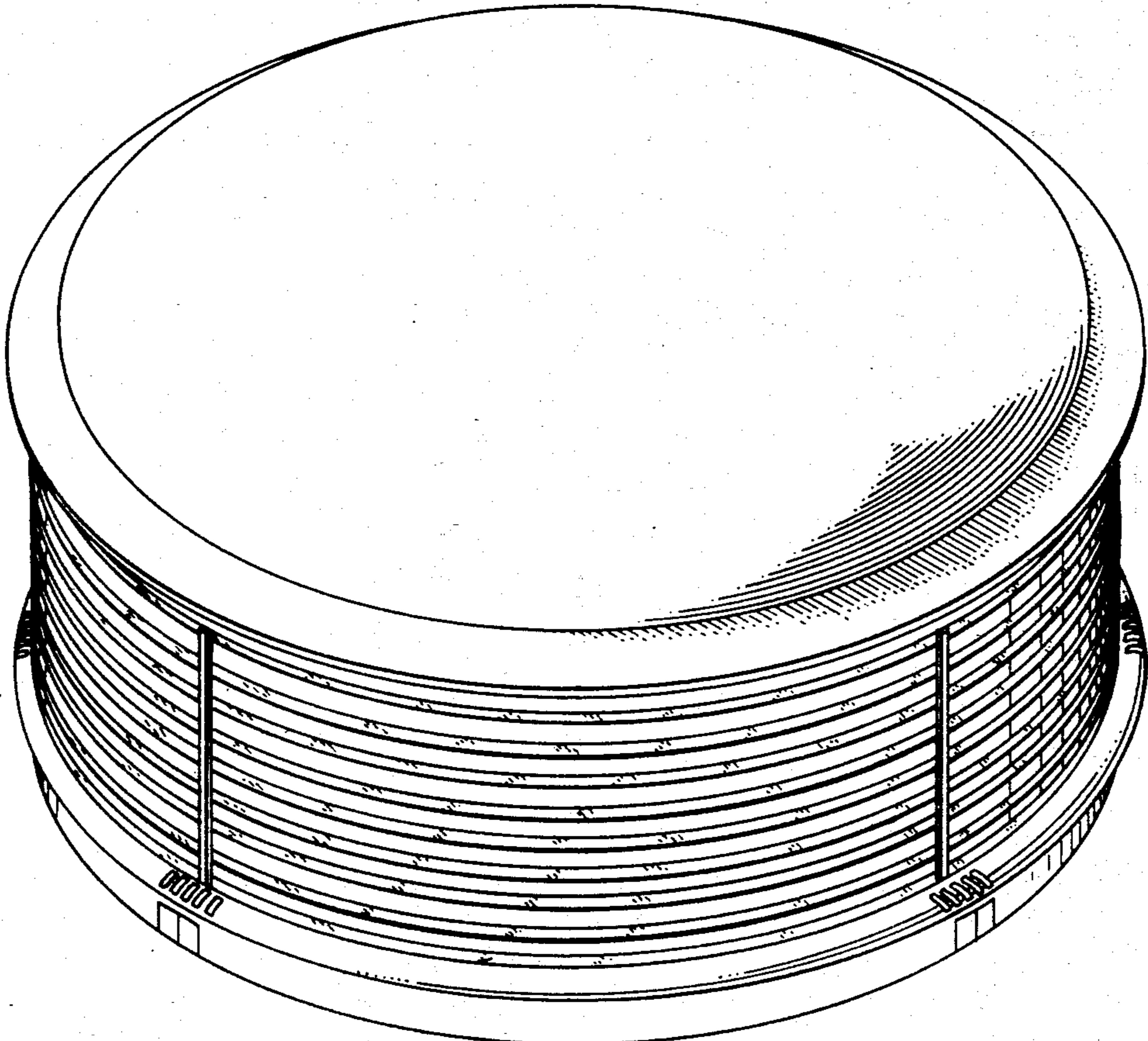


FIG. 1

FIG. 2

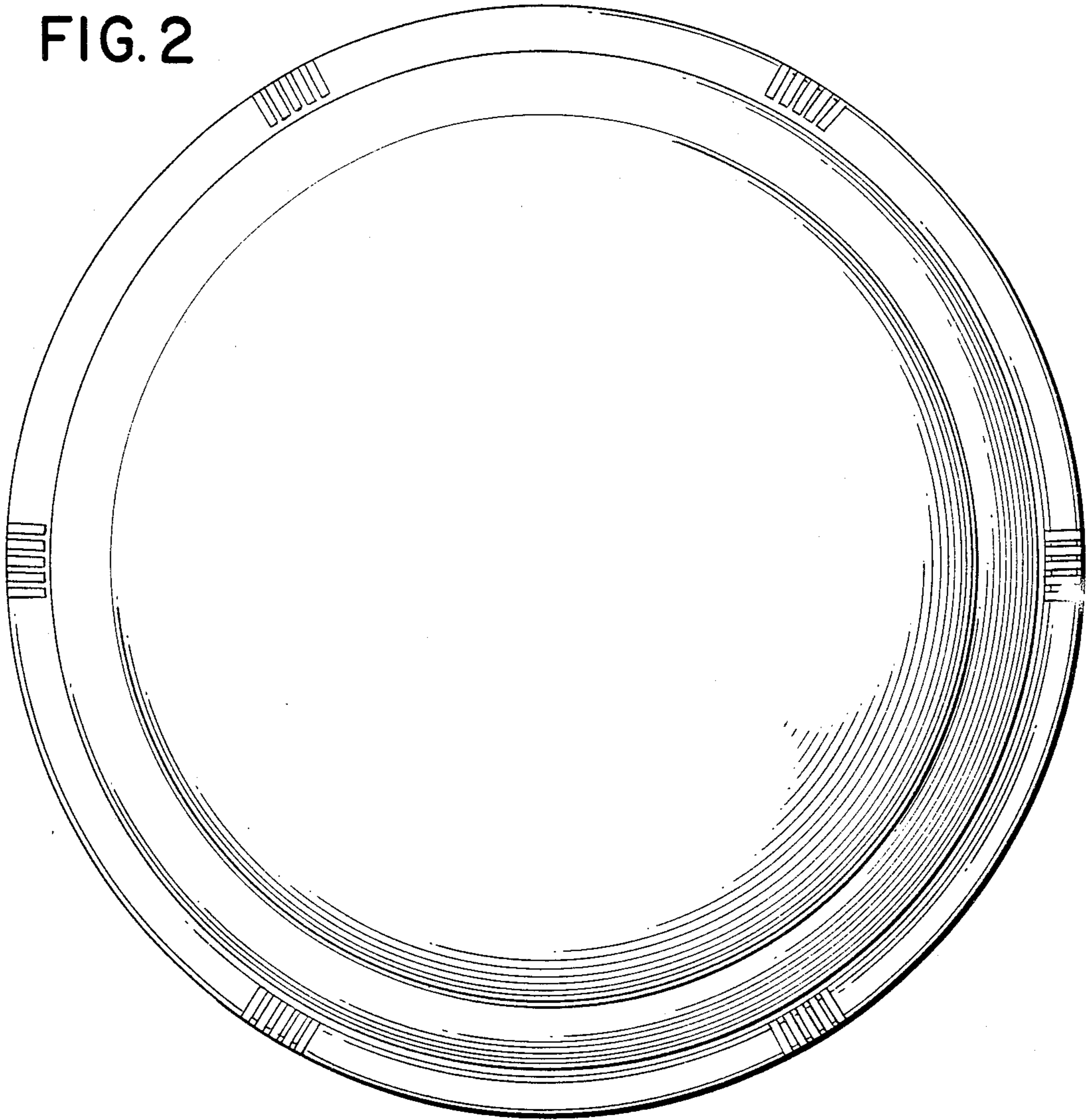


FIG. 3

