

# United States Patent [19]

Briggs

[11] Patent Number: **Des. 289,331**

[45] Date of Patent: **\*\* Apr. 14, 1987**

[54] **ENDOTRACHEAL TUBE BITE BLOCK**

[75] Inventor: **Stephen Briggs, Orangevale, Calif.**

[73] Assignee: **B & B Medical Technologies, Inc., Orangevale, Calif.**

[\*\*] Term: **14 Years**

[21] Appl. No.: **564,718**

[22] Filed: **Dec. 23, 1983**

[52] U.S. Cl. .... **D24/51; D24/27**

[58] Field of Search ..... **D24/34, 53, 51, 8, 27, D24/99; 128/207.17, DIG. 26**

[56] **References Cited**

**U.S. PATENT DOCUMENTS**

D. 257,950	1/1981	Van Meter, Jr. et al. ....	D24/27 X
D. 265,926	8/1982	D'Alo .....	D24/27
3,946,742	3/1976	Eross .....	128/207.17
3,977,407	8/1976	Coleman et al. ....	128/DIG. 26 X

4,120,304	10/1978	Moor .....	128/DIG. 26 X
4,331,143	5/1982	Foster .....	128/207.17
4,537,192	8/1985	Foster .....	128/207.17

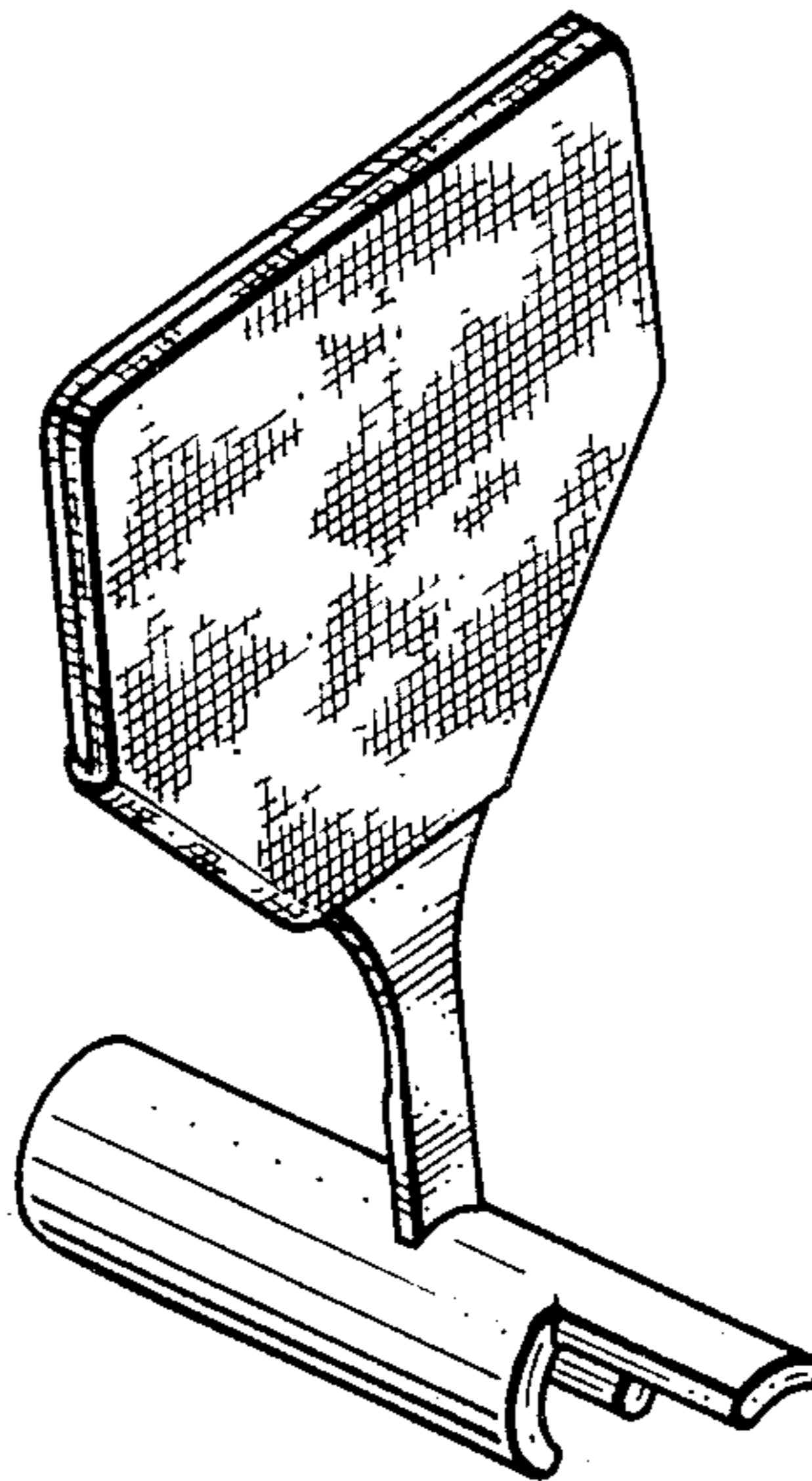
*Primary Examiner*—A. Hugo Word  
*Assistant Examiner*—Stella M. Reid  
*Attorney, Agent, or Firm*—Mark C. Jacobs

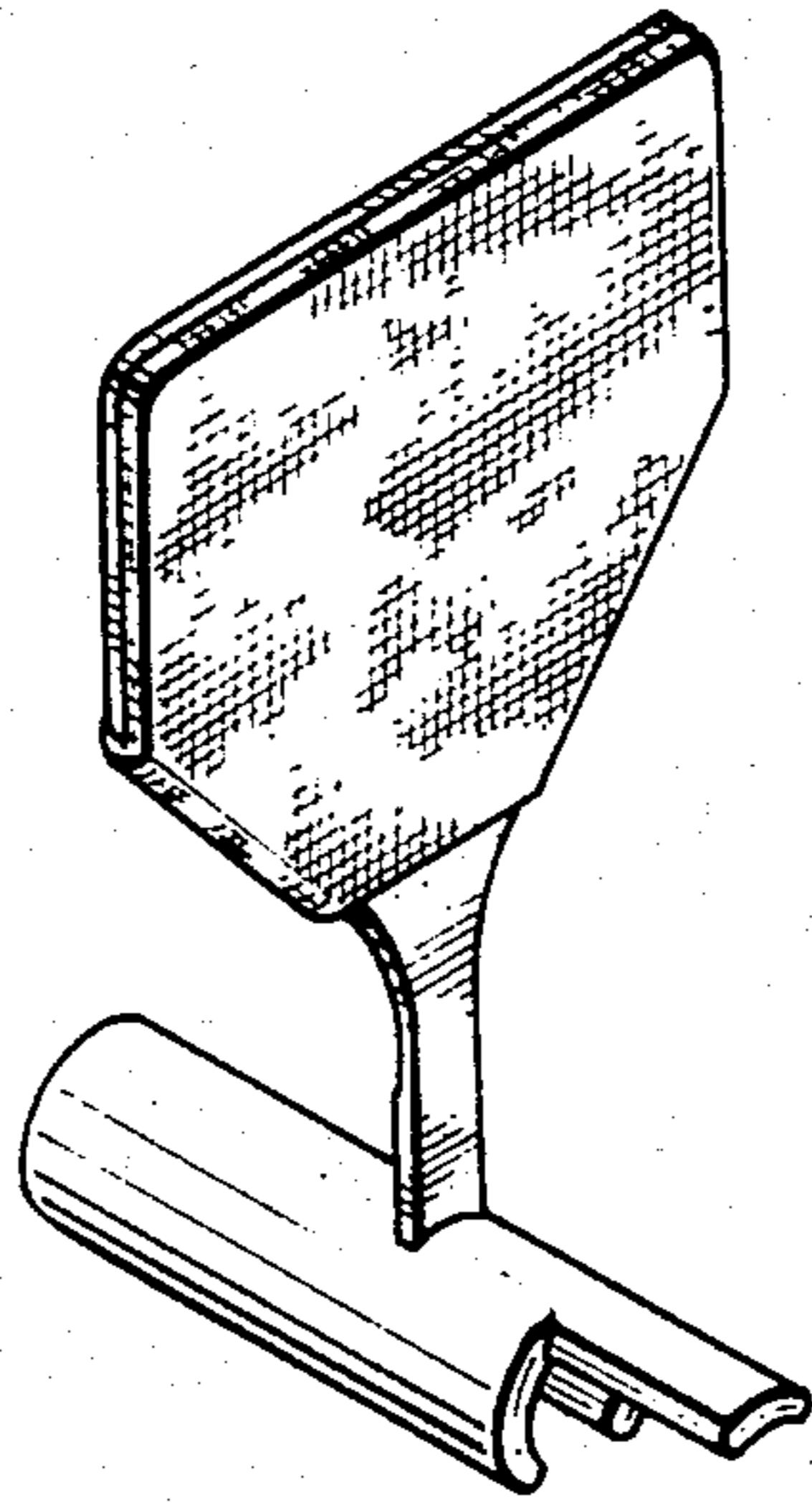
[57] **CLAIM**

The ornamental design for an endotracheal tube bite block, substantially as shown and described.

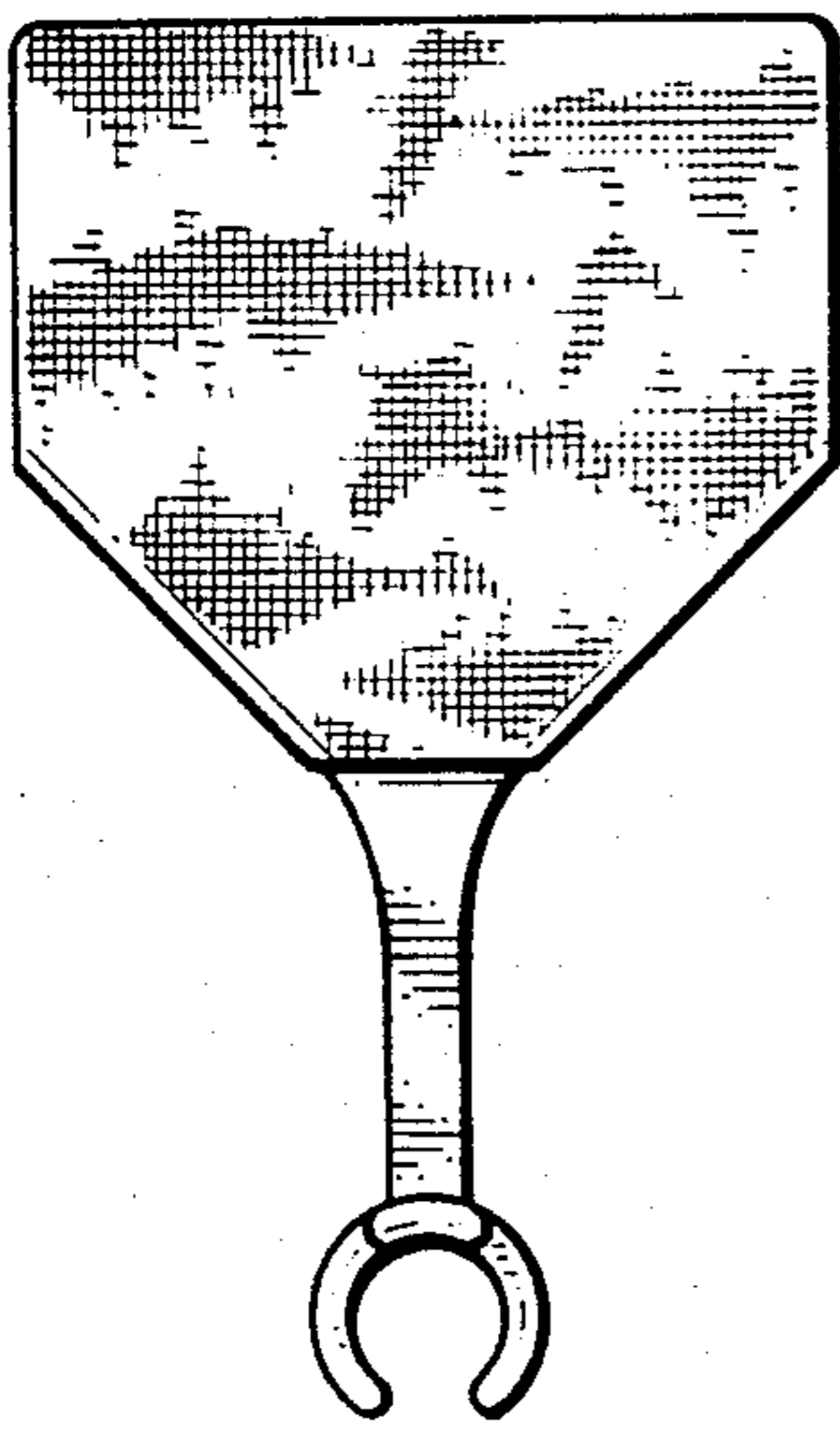
**DESCRIPTION**

FIG. 1 is a perspective view of an endotracheal tube bite block showing my new design;  
FIG. 2 is a front elevational view thereof;  
FIG. 3 is a side elevational view thereof;  
FIG. 4 is a rear elevational view thereof;  
FIG. 5 is a top plan view thereof;  
FIG. 6 is a bottom plan view thereof; and  
FIG. 7 is an alternate embodiment of FIG. 1.

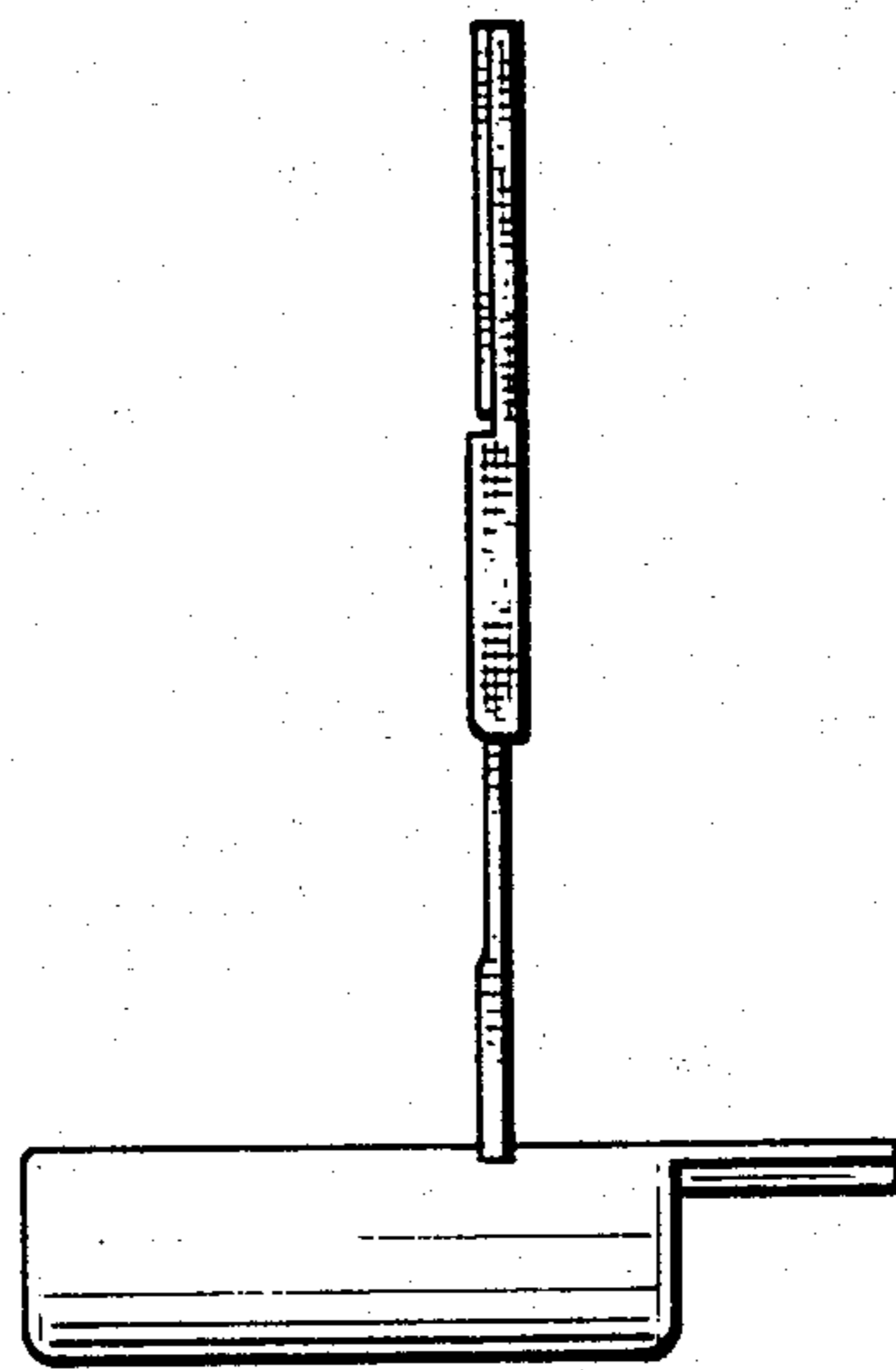




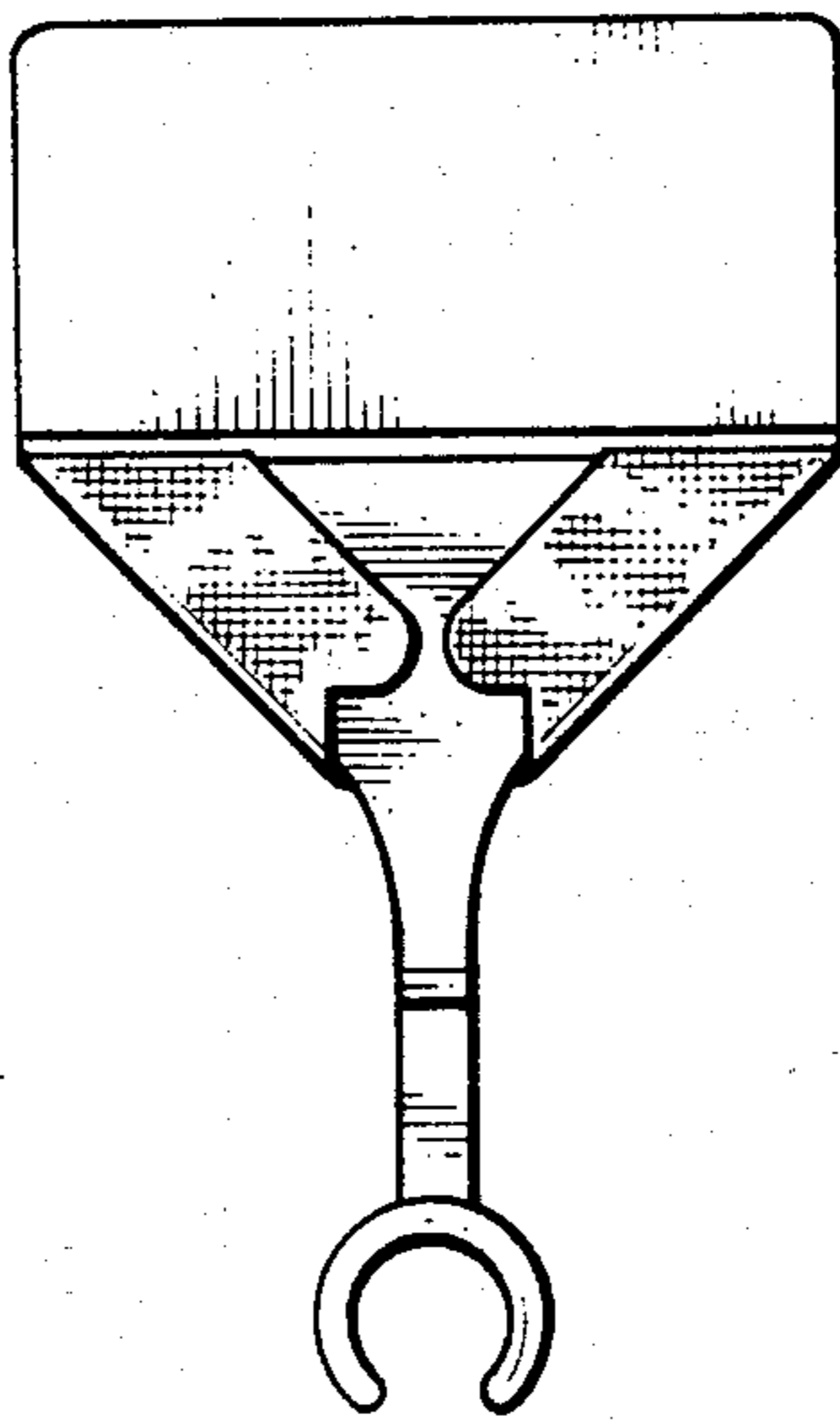
*Fig. 1.*



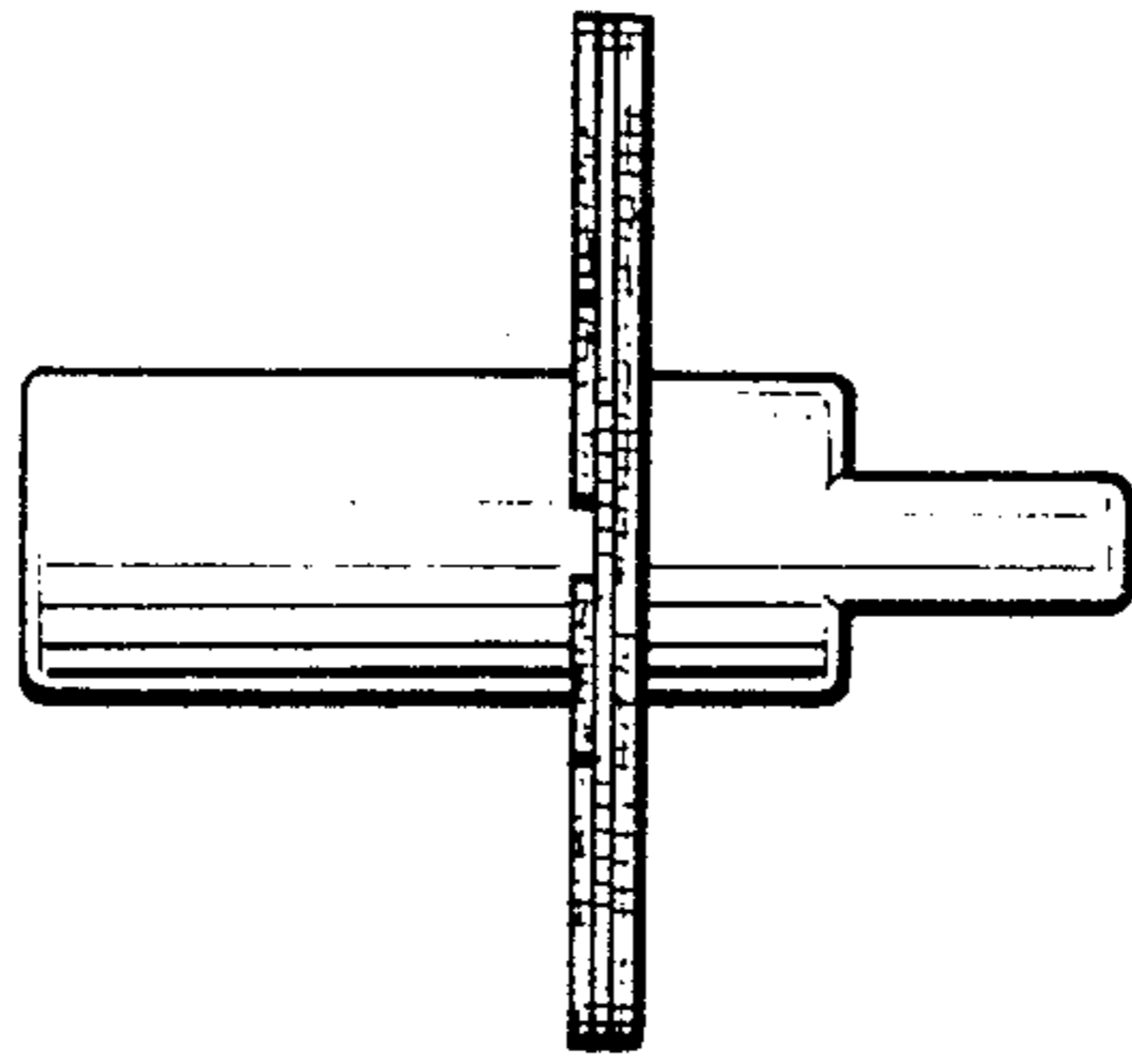
*Fig. 2.*



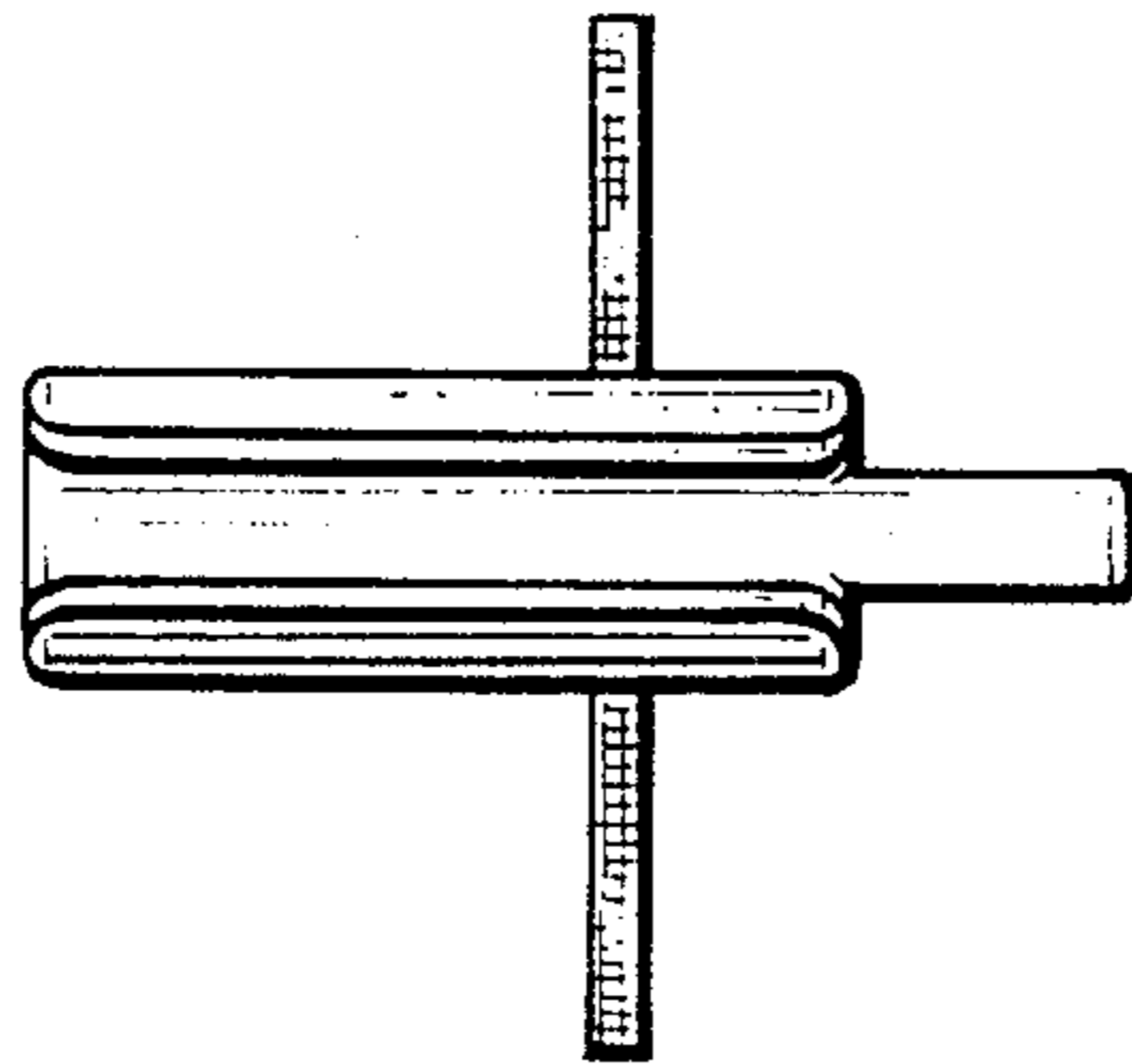
*Fig. 3.*



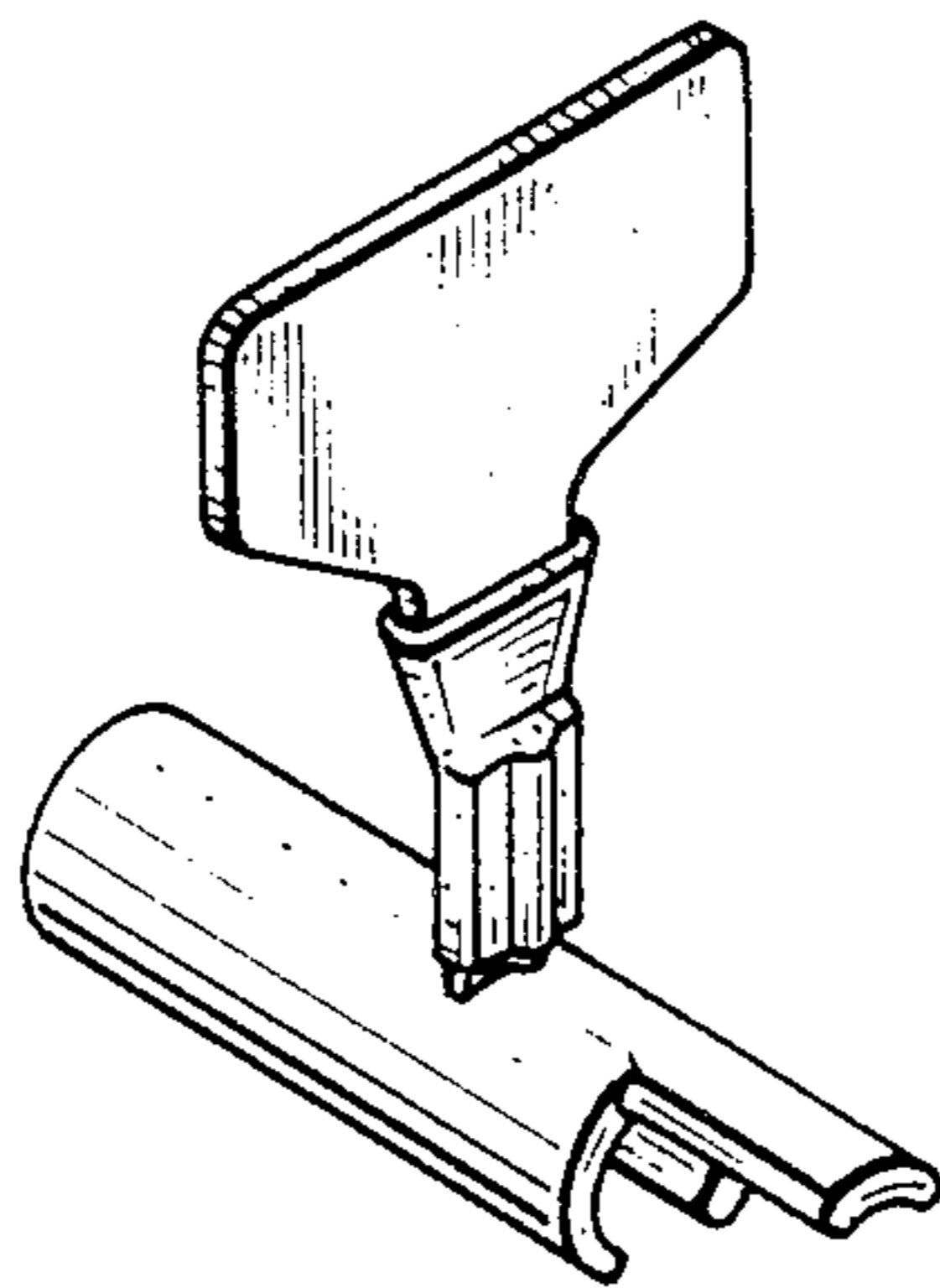
*Fig. 4.*



*Fig. 5.*



*Fig. 6.*



*Fig. 7.*