

[54] ORTHODONTIC MICROBRACKET WITH SLOT EXTENSION

[75] Inventor: Derek Evans, San Diego, Calif.

[73] Assignee: Johnson & Johnson Dental Products Company, East Windsor, N.J.

[\*\*] Term: 14 Years

[21] Appl. No.: 607,883

[22] Filed: May 7, 1984

[52] U.S. Cl. .... D24/16

[58] Field of Search ..... D24/10, 16, 33, 99; 433/8-17

[56] References Cited

U.S. PATENT DOCUMENTS

2,778,110	1/1957	Gooris et al. ....	433/9 X
3,391,461	7/1968	Johnson .....	D24/10 X
4,068,379	1/1978	Miller et al. ....	433/9
4,369,033	1/1983	Webb et al. ....	433/9
4,415,330	11/1983	Daisley et al. ....	433/8 X

FOREIGN PATENT DOCUMENTS

2377188	9/1978	France .....	433/10
---------	--------	--------------	--------

OTHER PUBLICATIONS

Ormco Catalogue (1964) p. 13-Standard Edgewise Bracket.

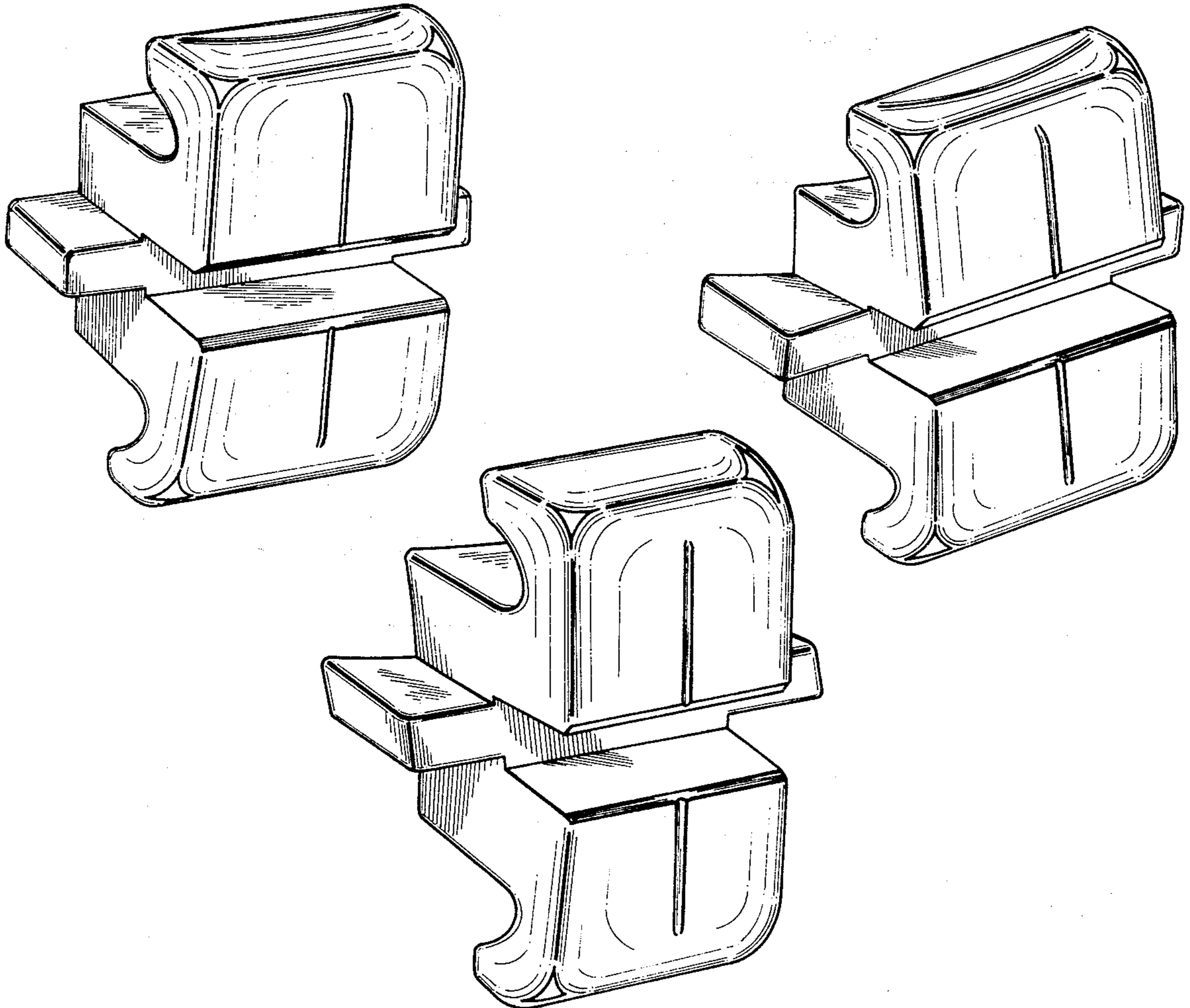
Primary Examiner—Wallace R. Burke  
Assistant Examiner—Brian N. Vinson  
Attorney, Agent, or Firm—Charles J. Metz

[57] CLAIM

The ornamental design for an orthodontic microbracket with slot extension, as shown.

DESCRIPTION

FIG. 1 is a perspective view of the bracket; FIG. 2 is a rear elevational view of the bracket of FIG. 1; FIG. 3 is a bottom plan view of the bracket of FIG. 1; FIG. 4 is a top plan view of the bracket of FIG. 1; FIG. 5 is a front elevational view of the bracket of FIG. 1; FIG. 6 is a right side elevational view of the bracket of FIG. 1; FIG. 7 is a left side elevational view of the bracket of FIG. 1; FIG. 8 is a perspective view of an alternative embodiment of the bracket; and FIG. 9 is a perspective view of another alternative embodiment of the bracket.



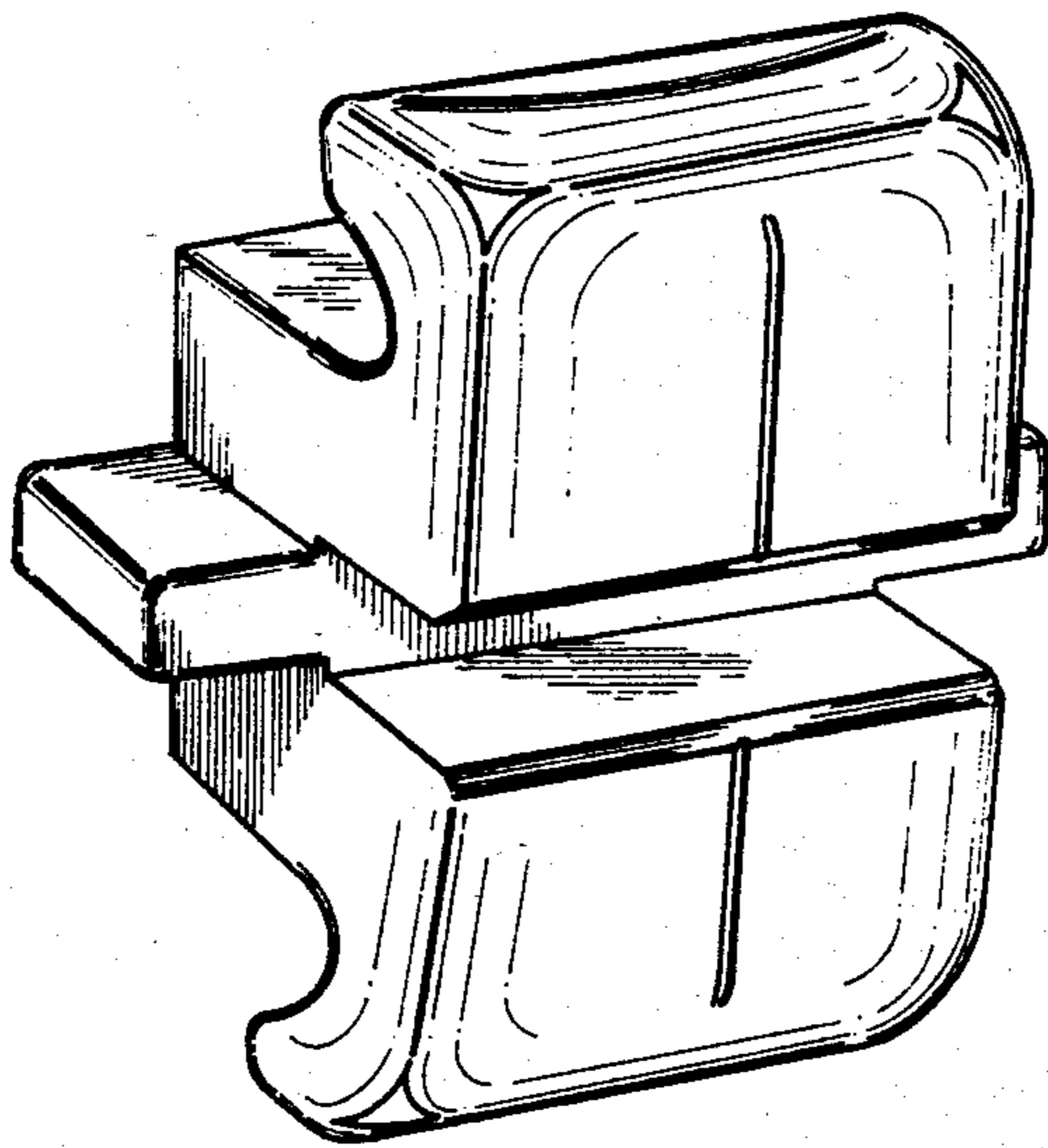


FIG-1

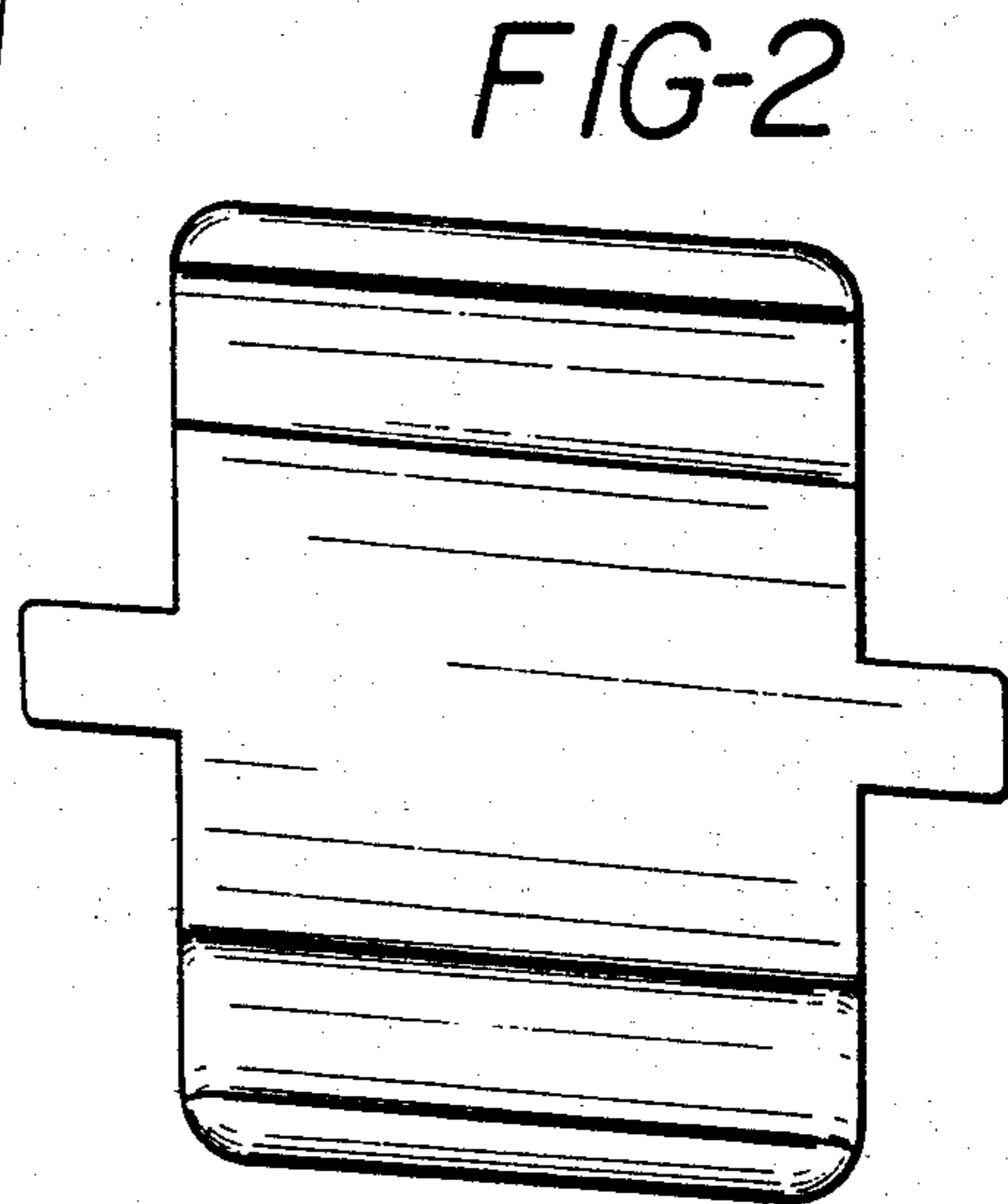


FIG-2

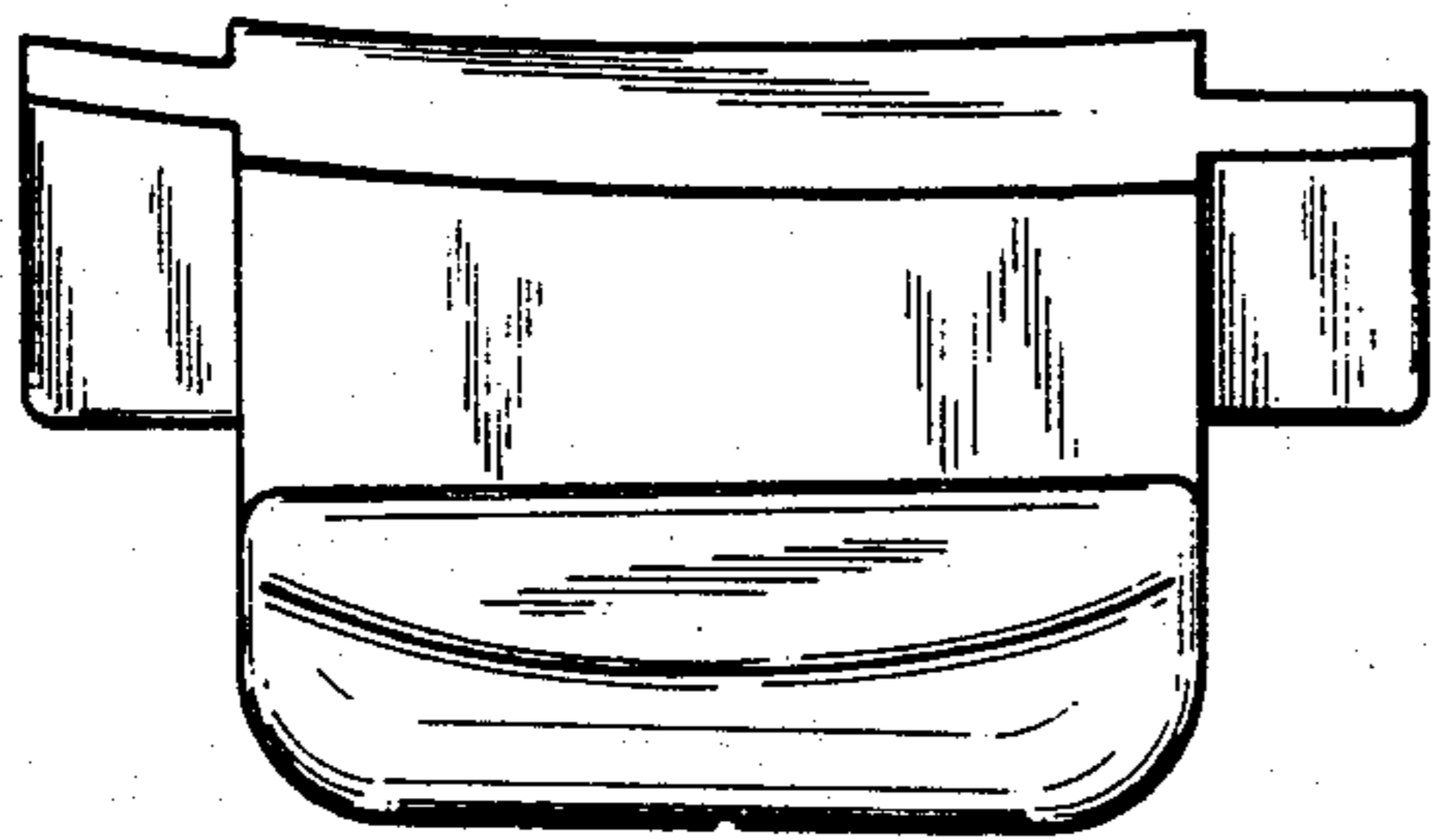


FIG-4

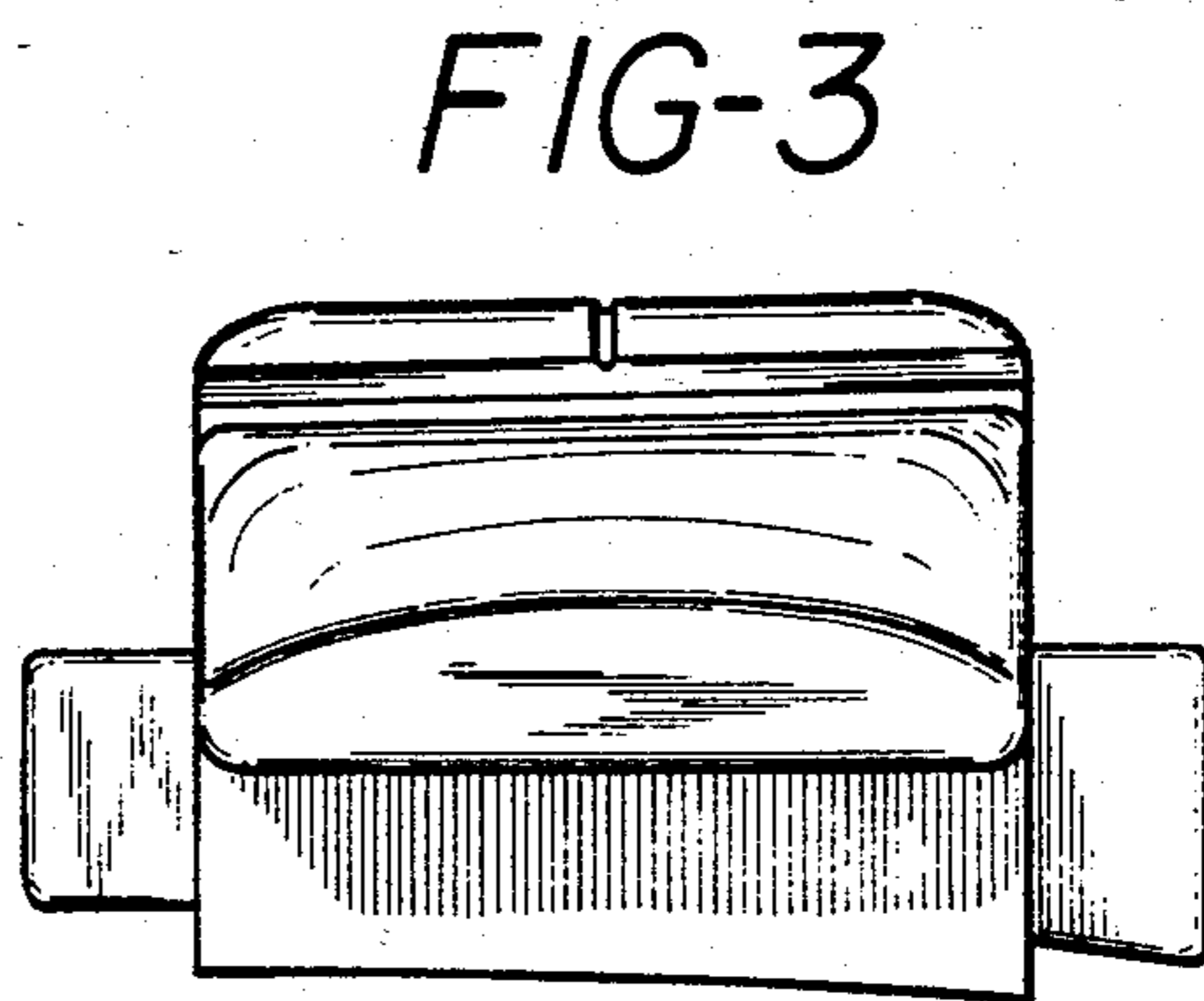


FIG-3

FIG-5

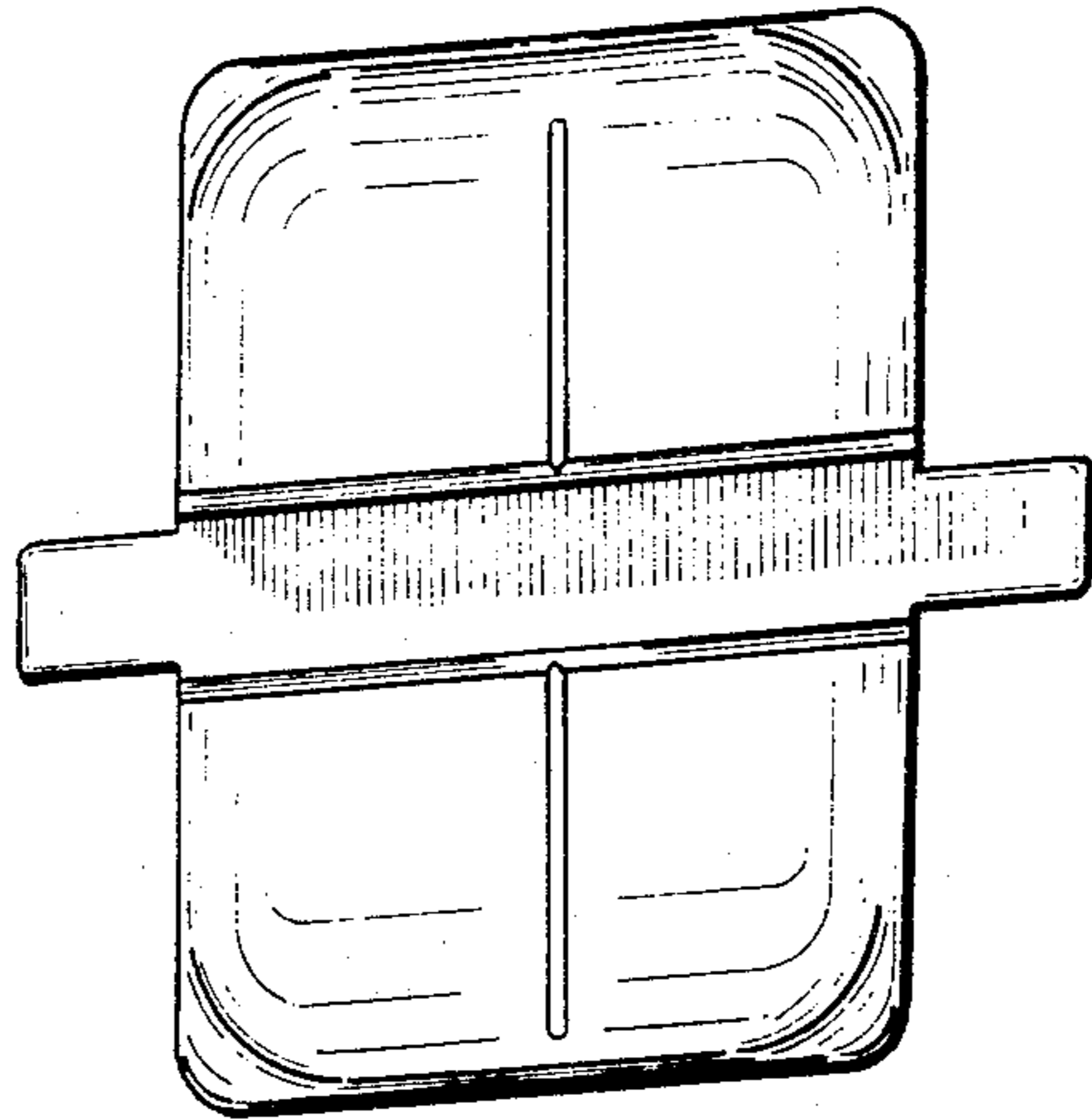


FIG-6

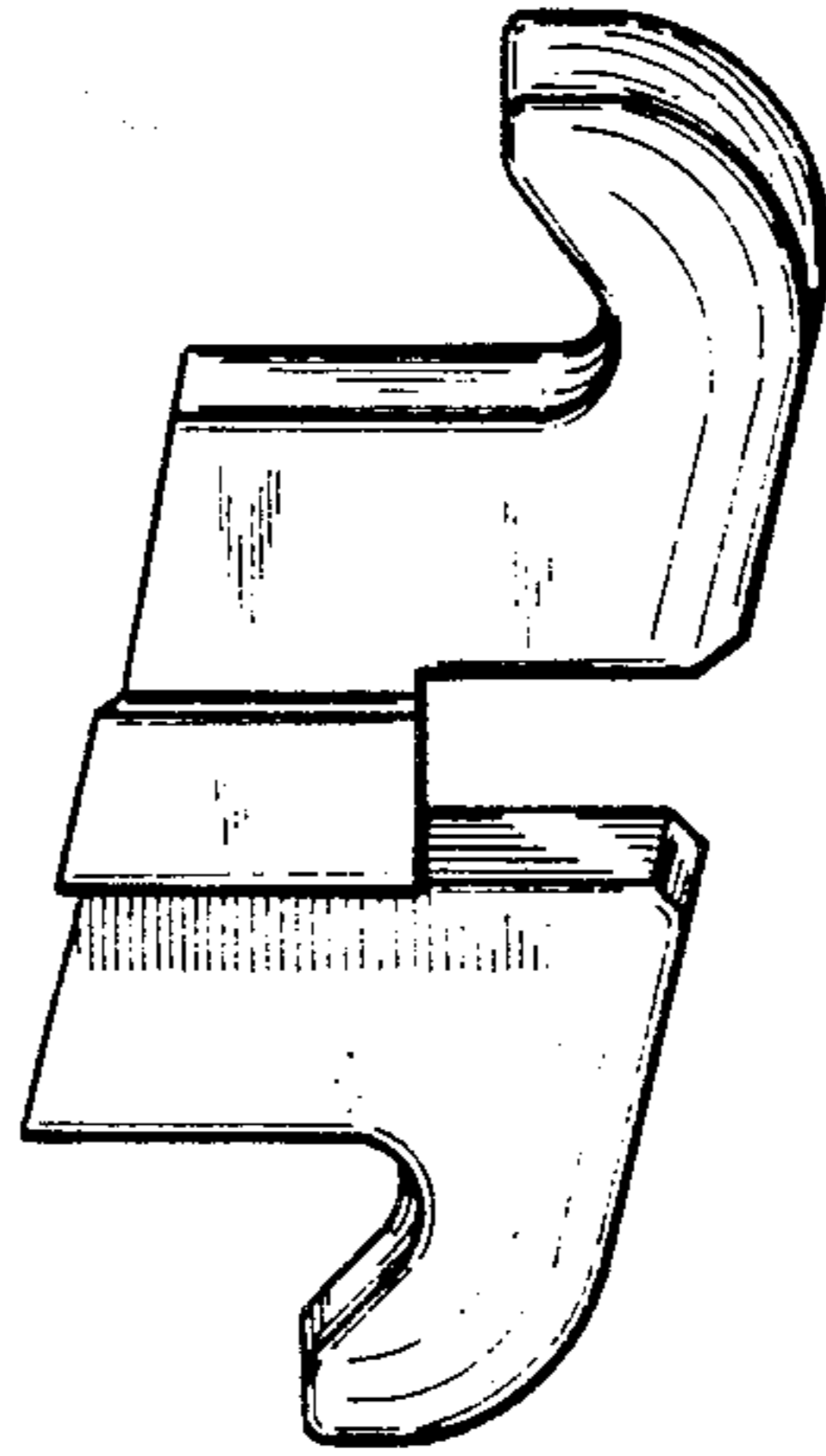


FIG-7

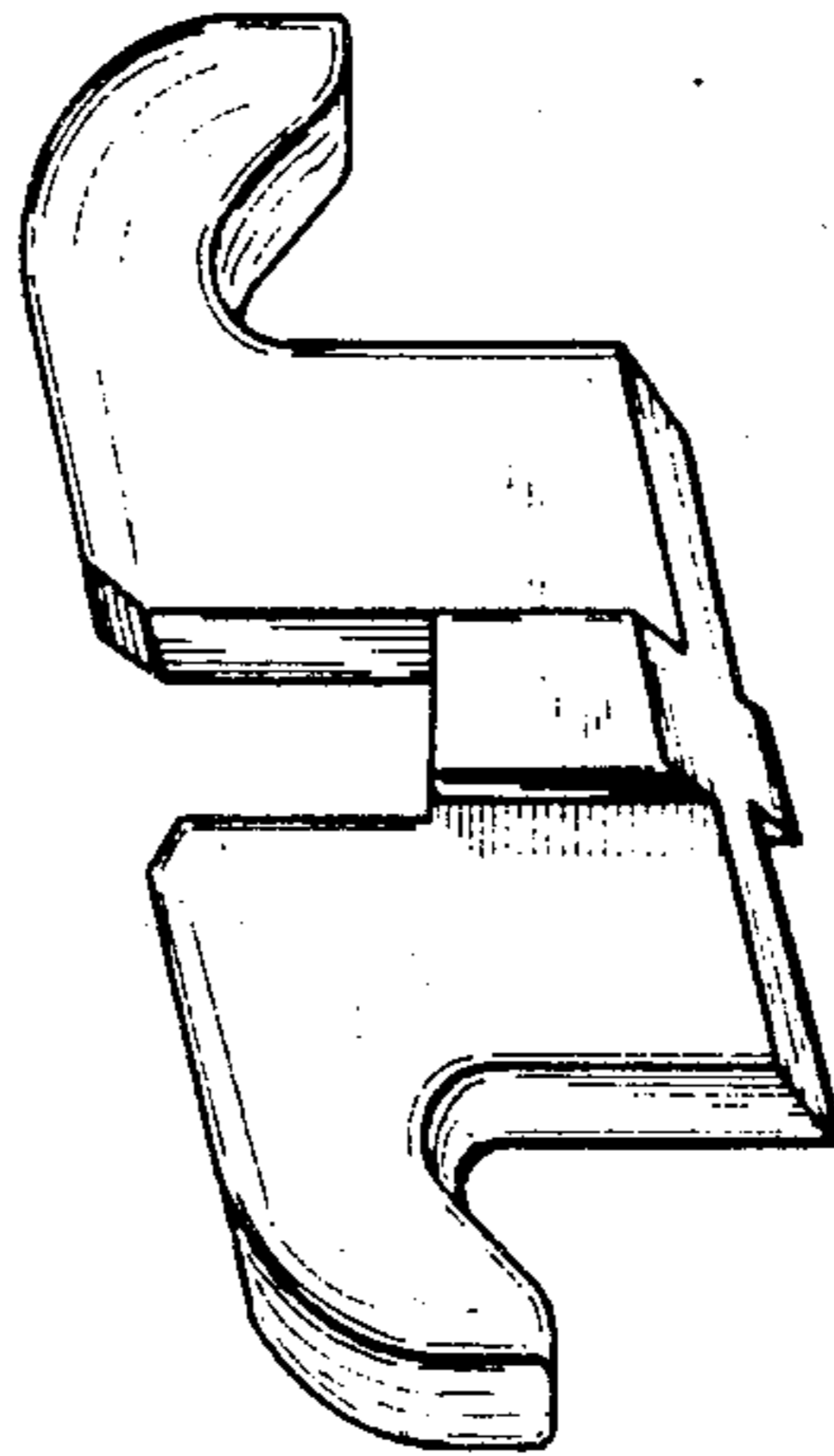


FIG-8

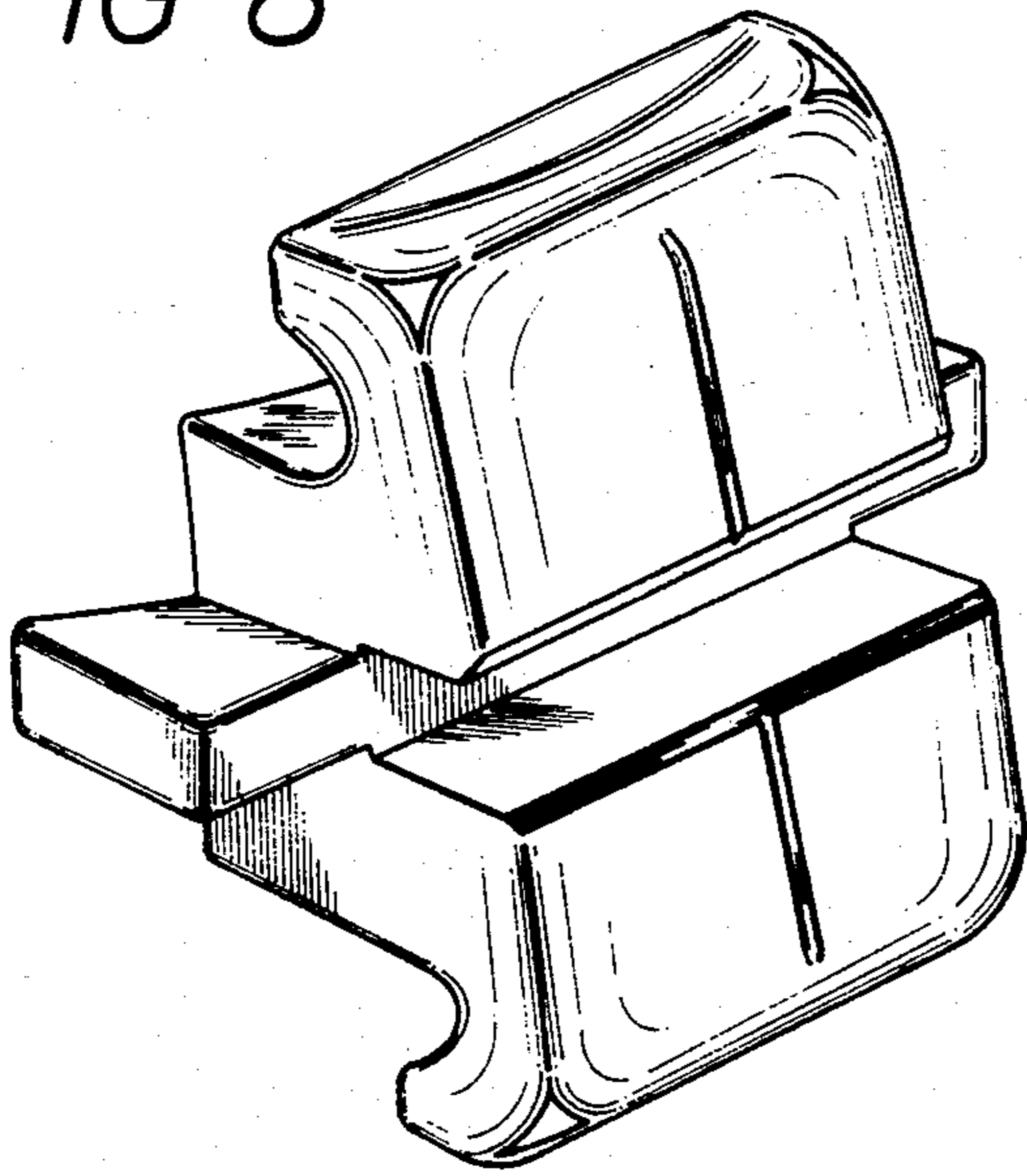


FIG-9

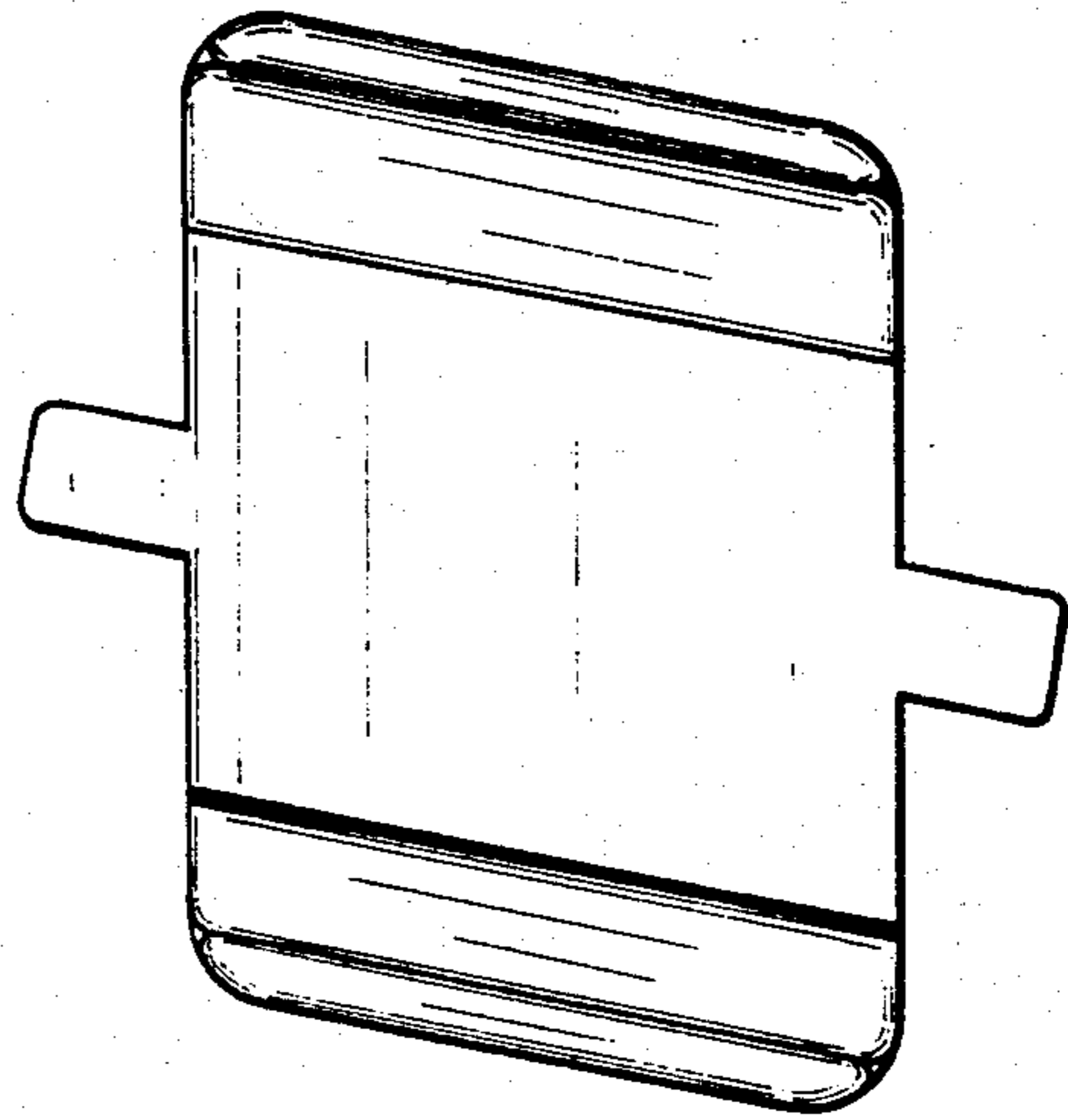


FIG-10

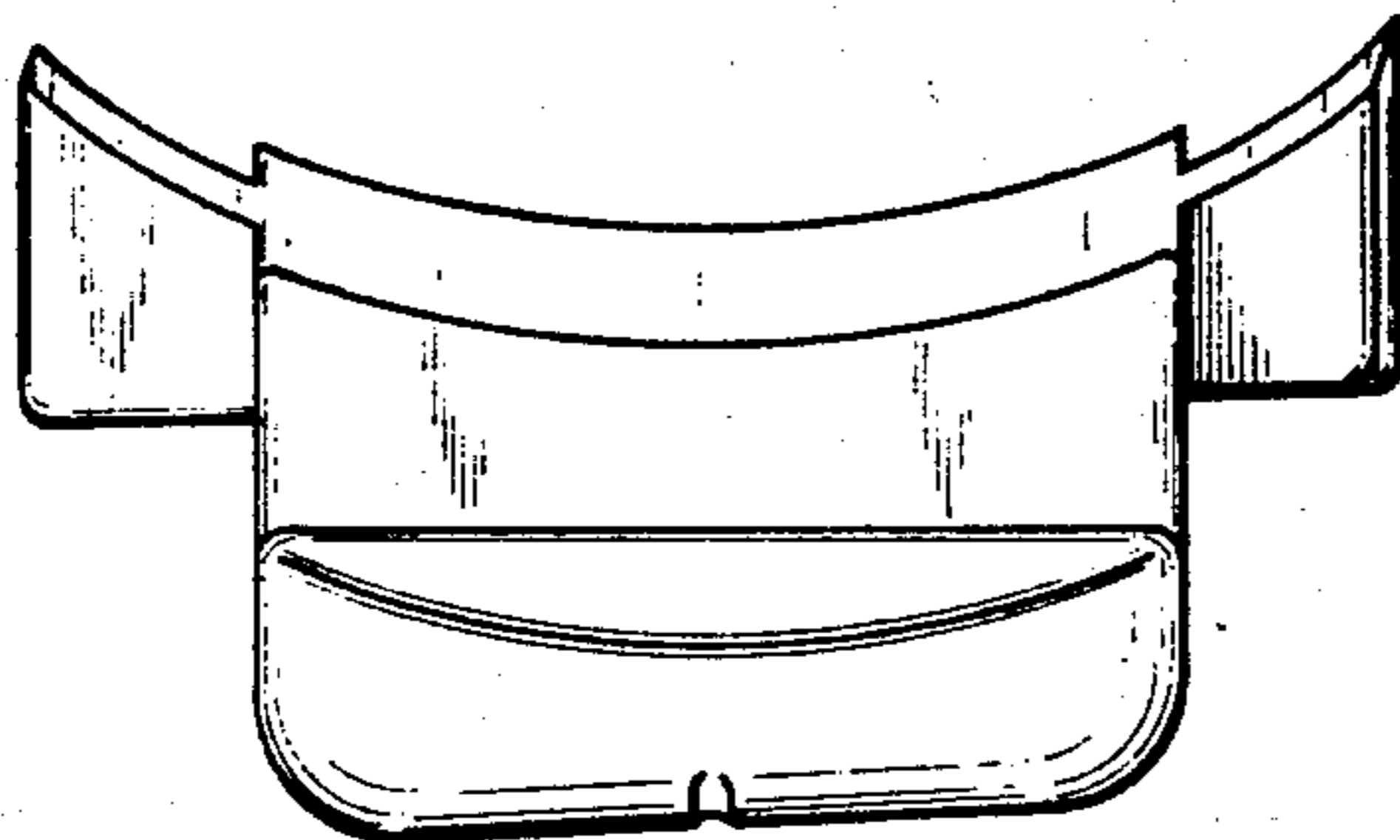


FIG-11

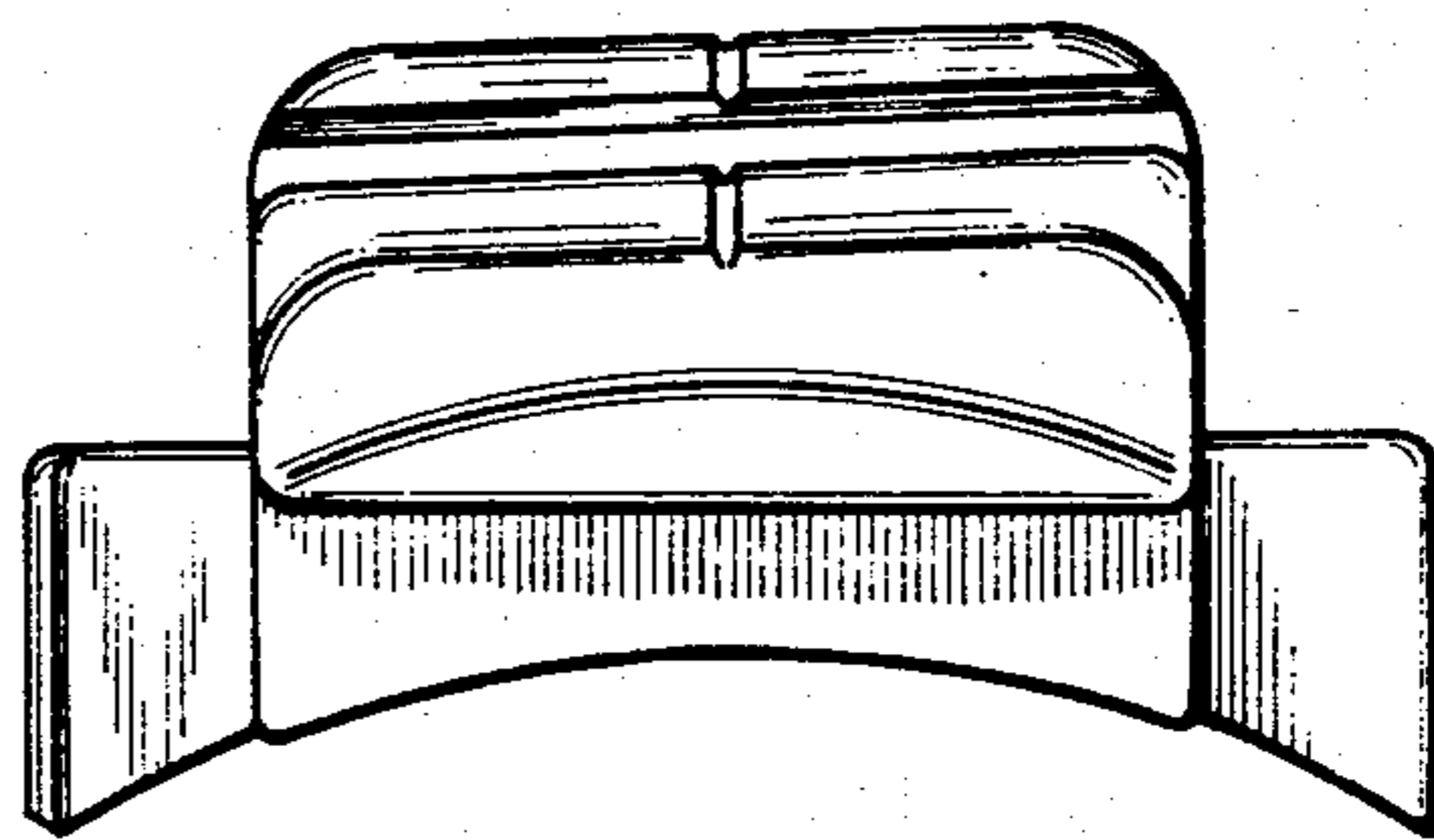


FIG-12

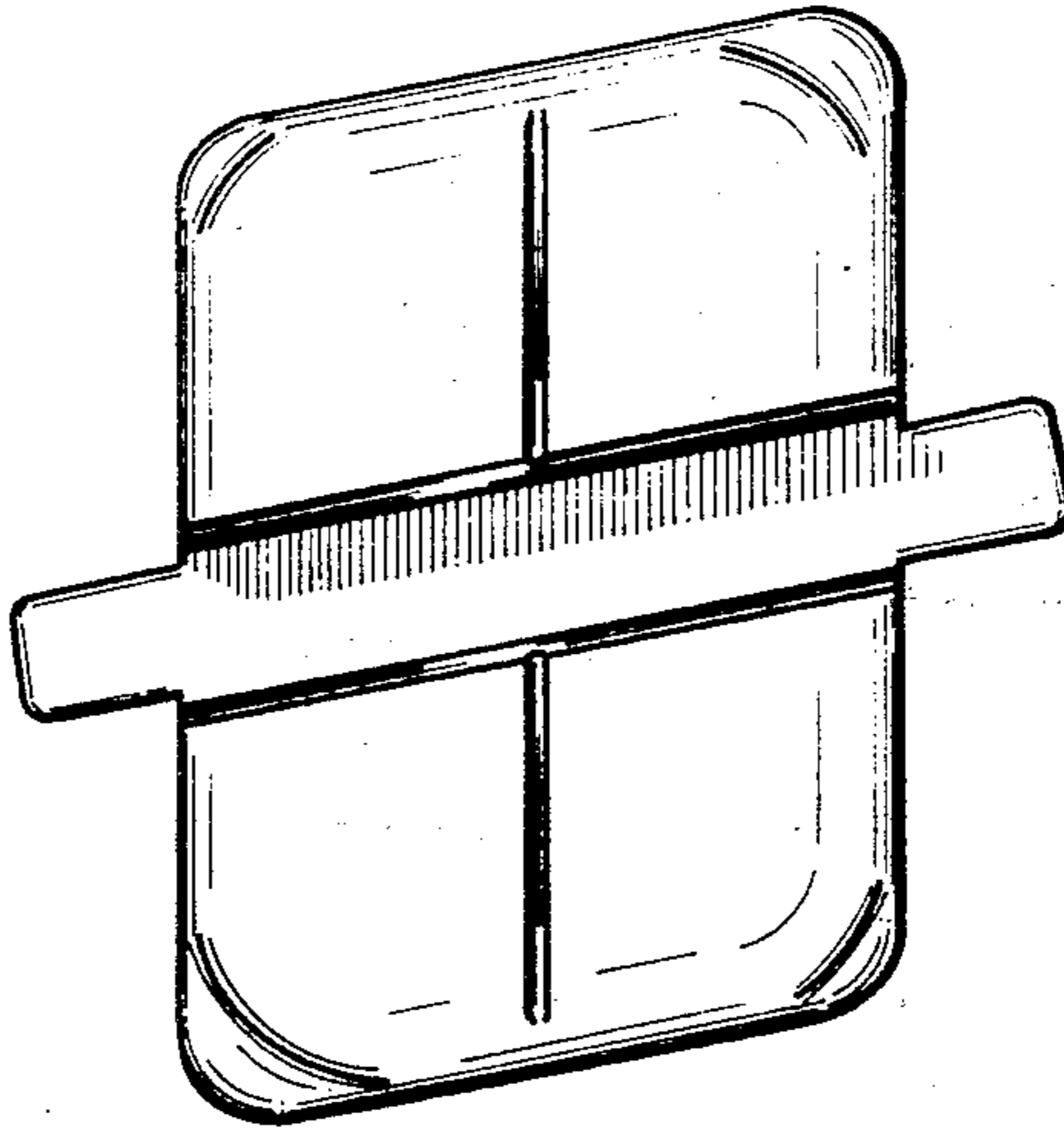


FIG-13

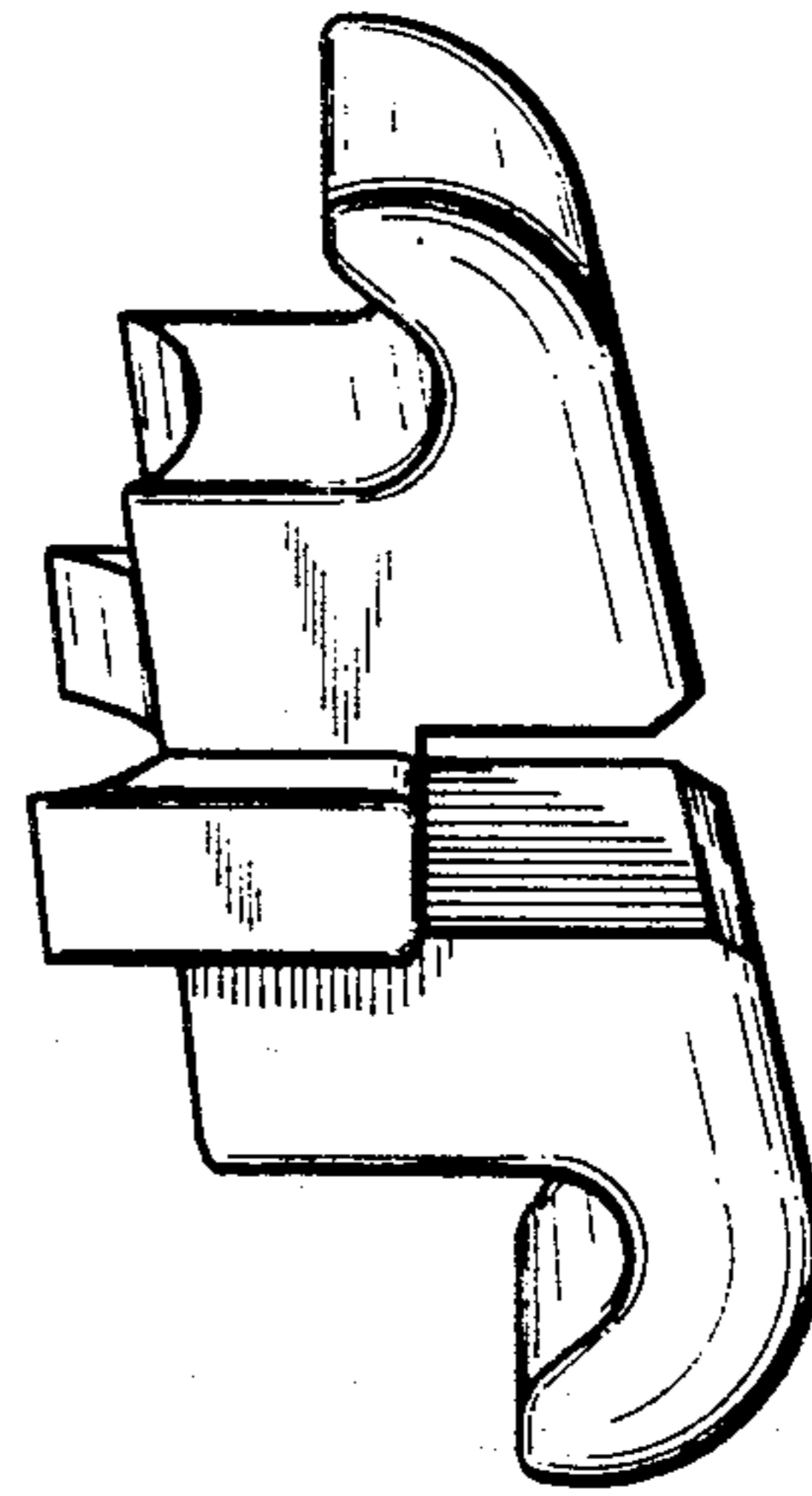


FIG-14

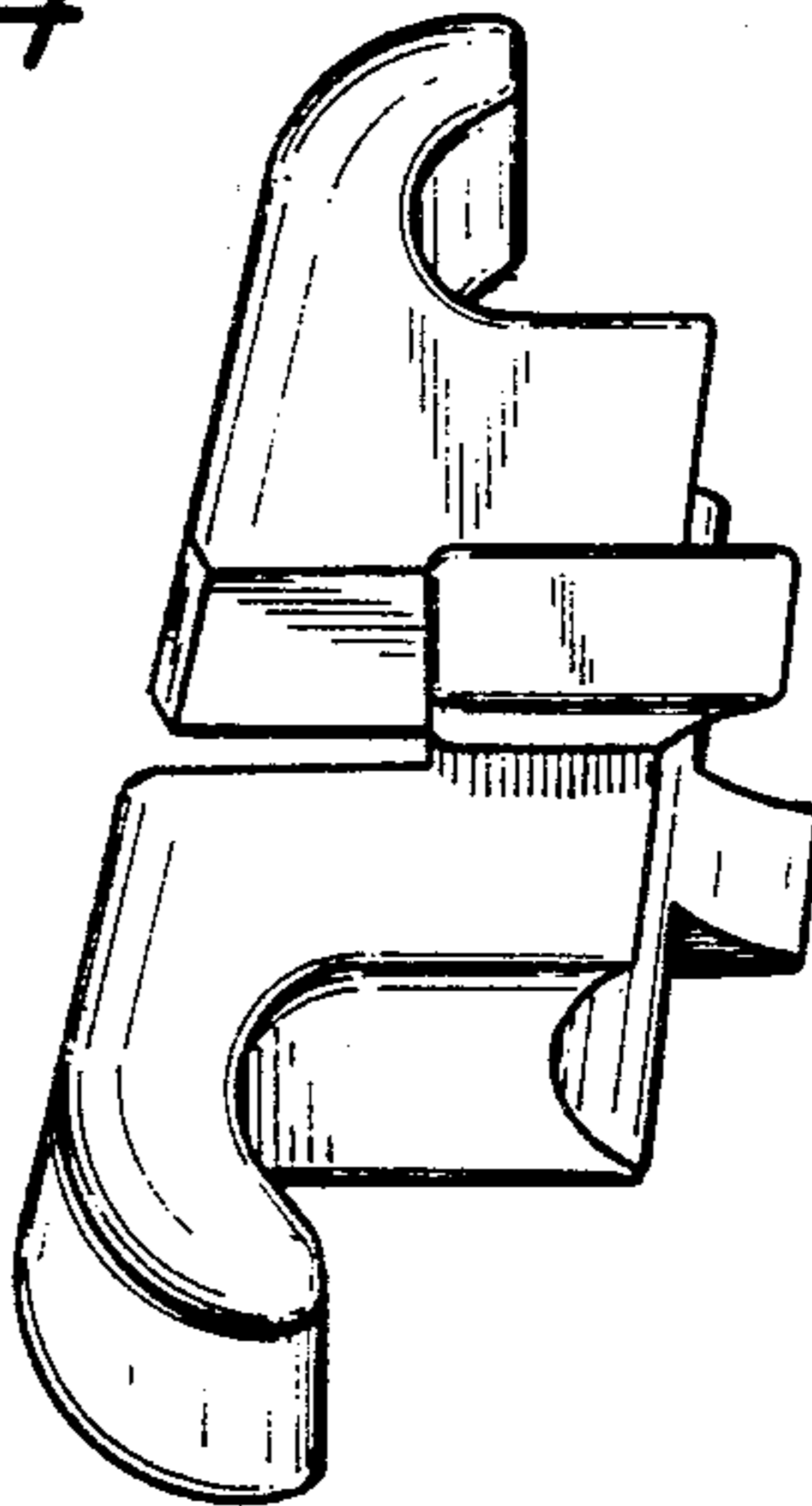


FIG-15

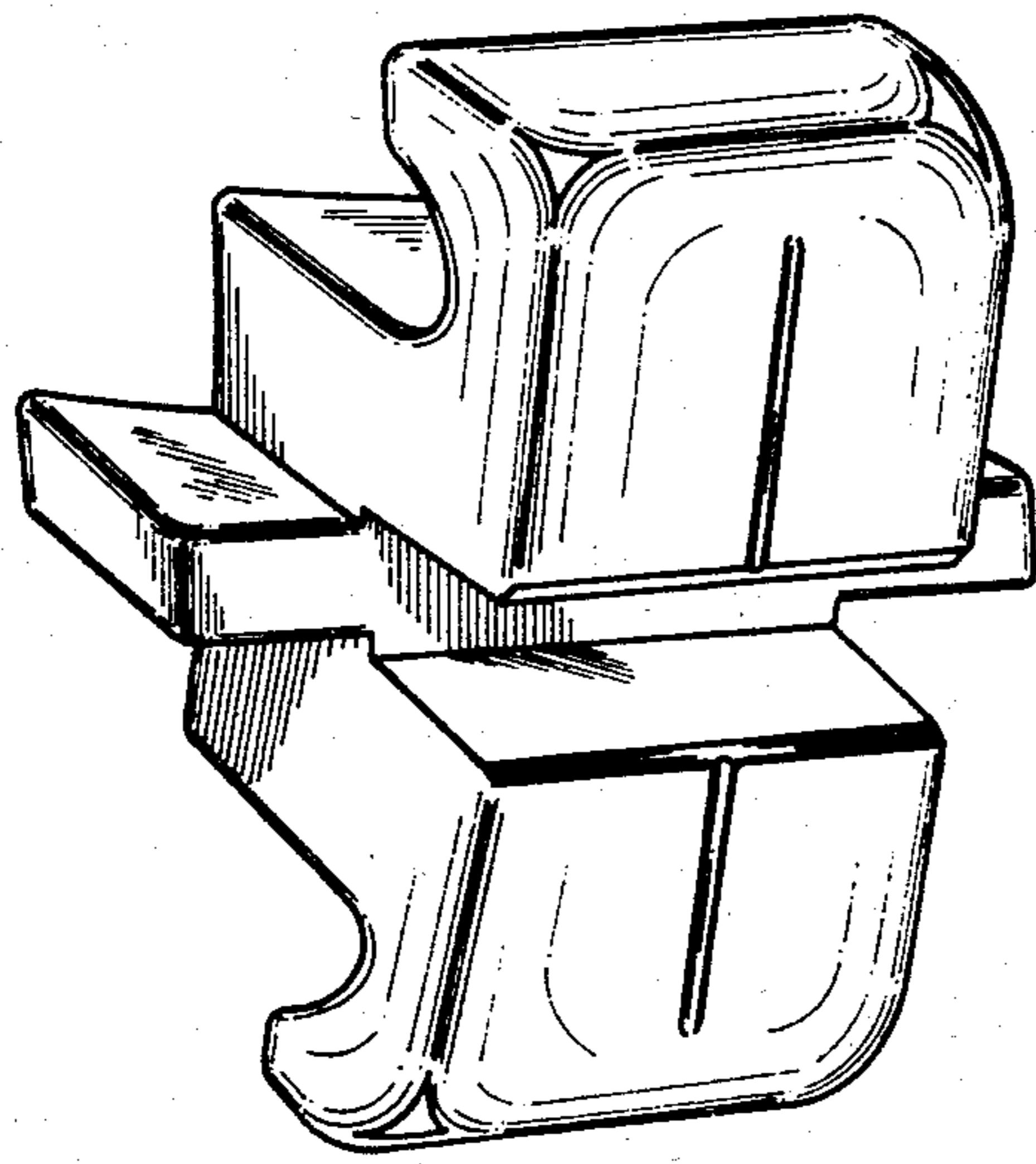


FIG-16

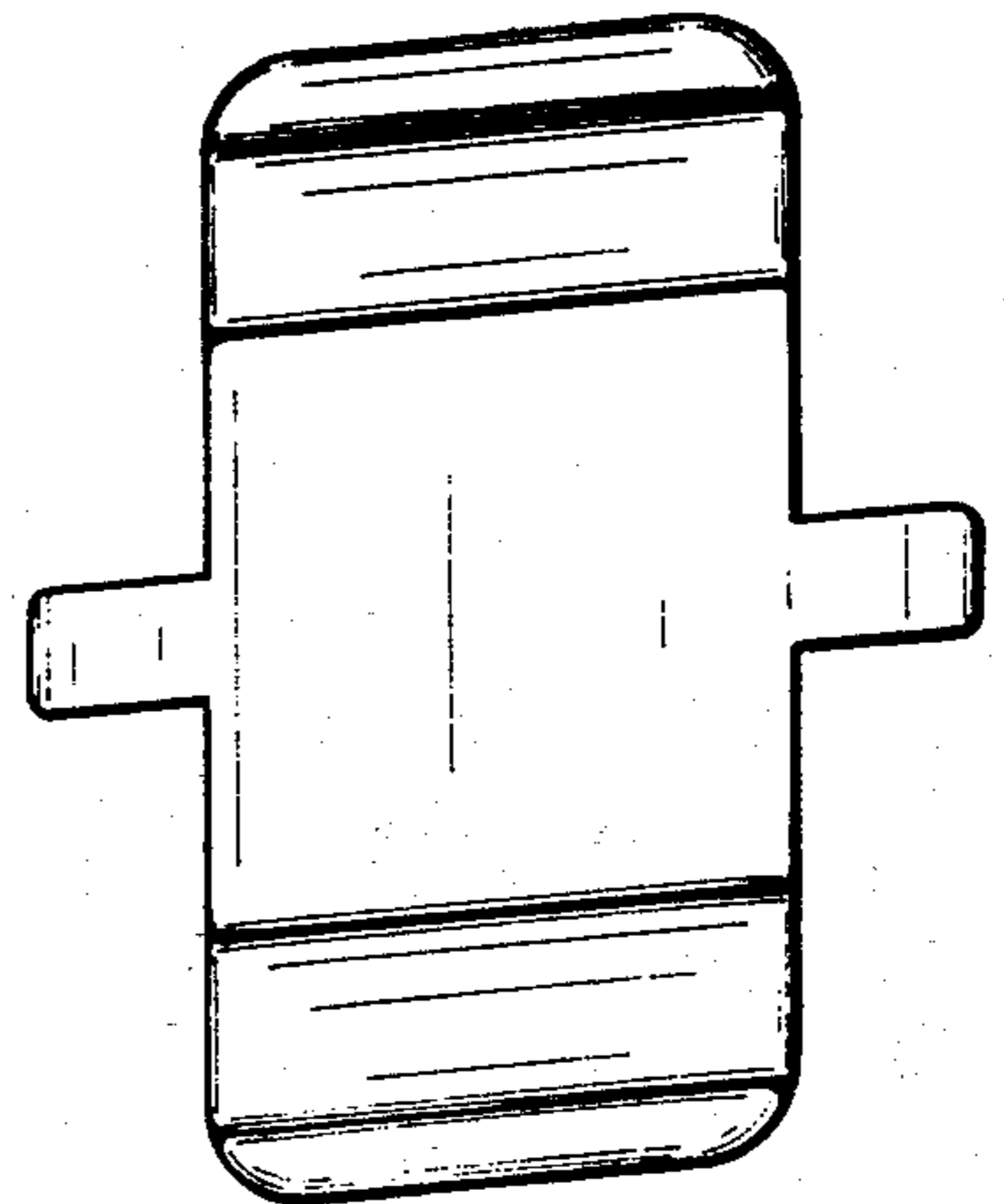


FIG-17

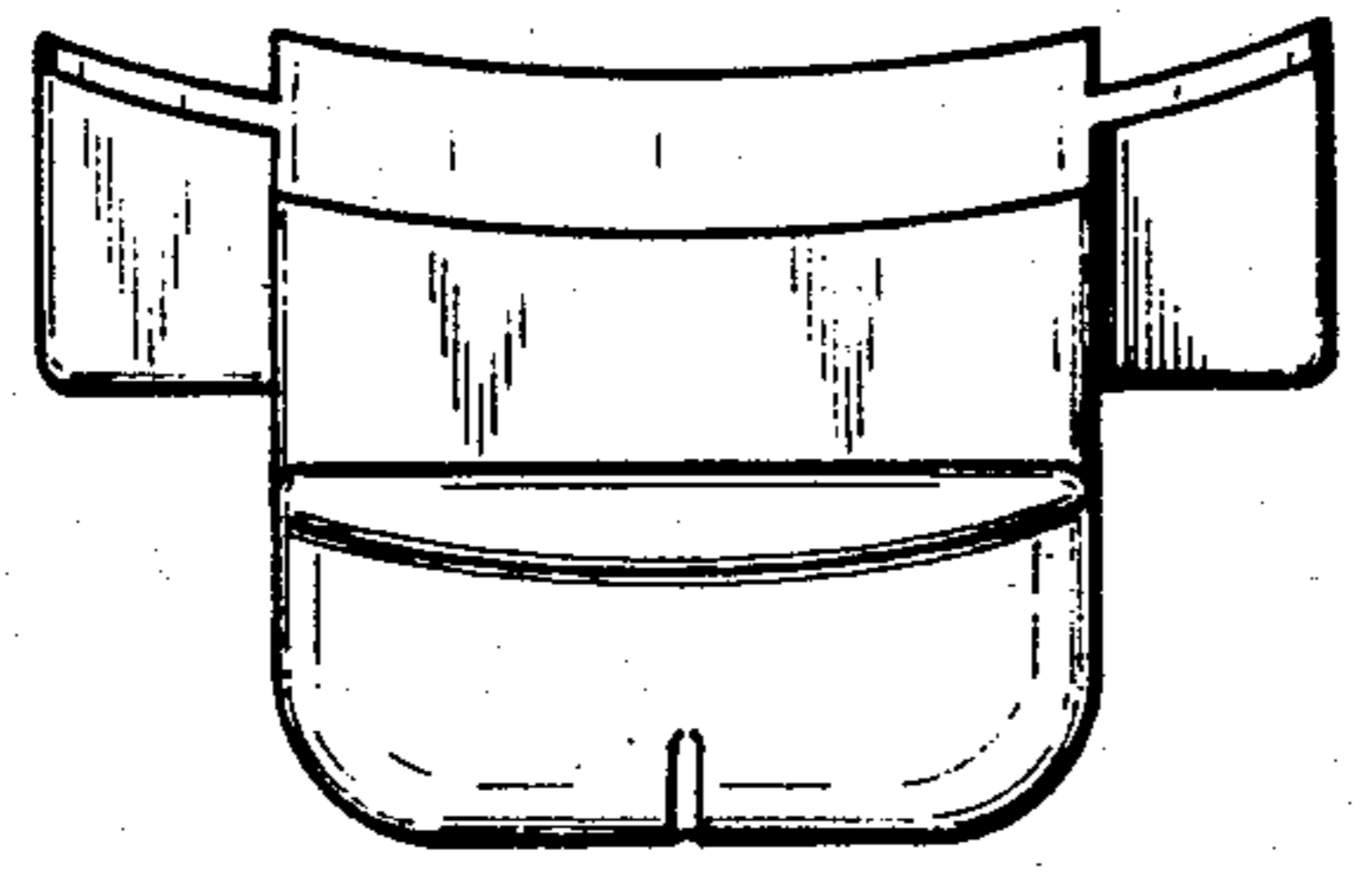


FIG-18

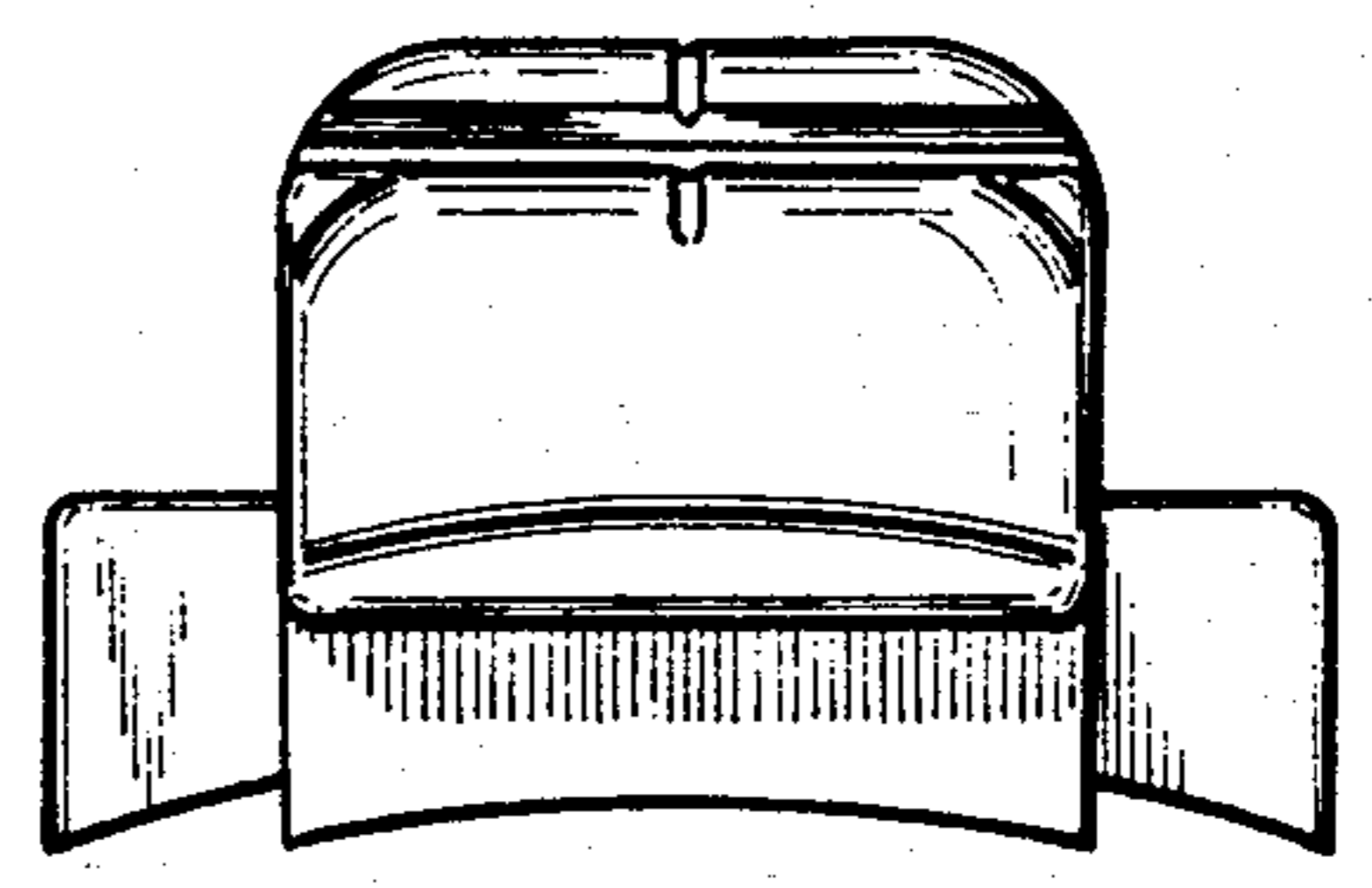


FIG-19

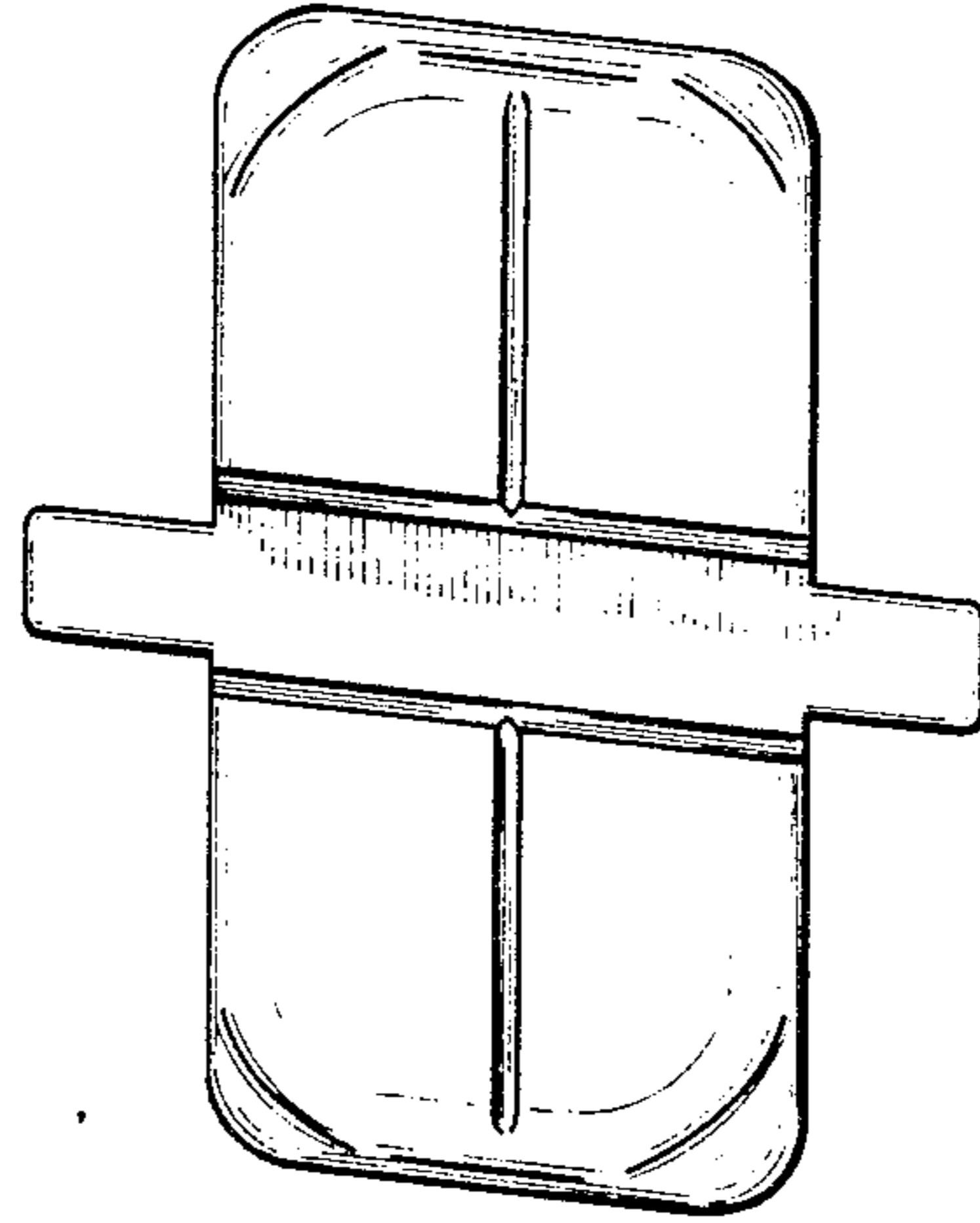


FIG-20

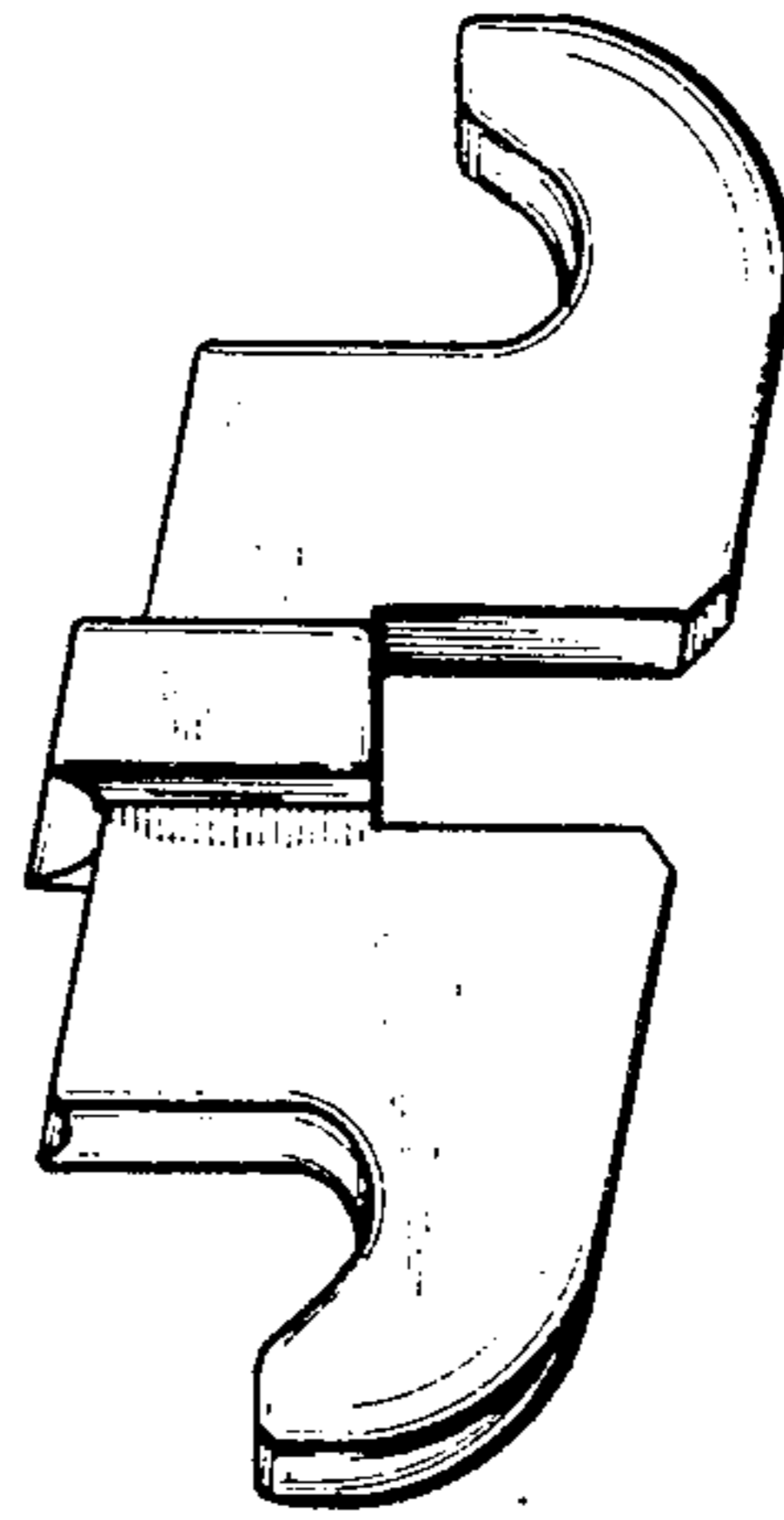
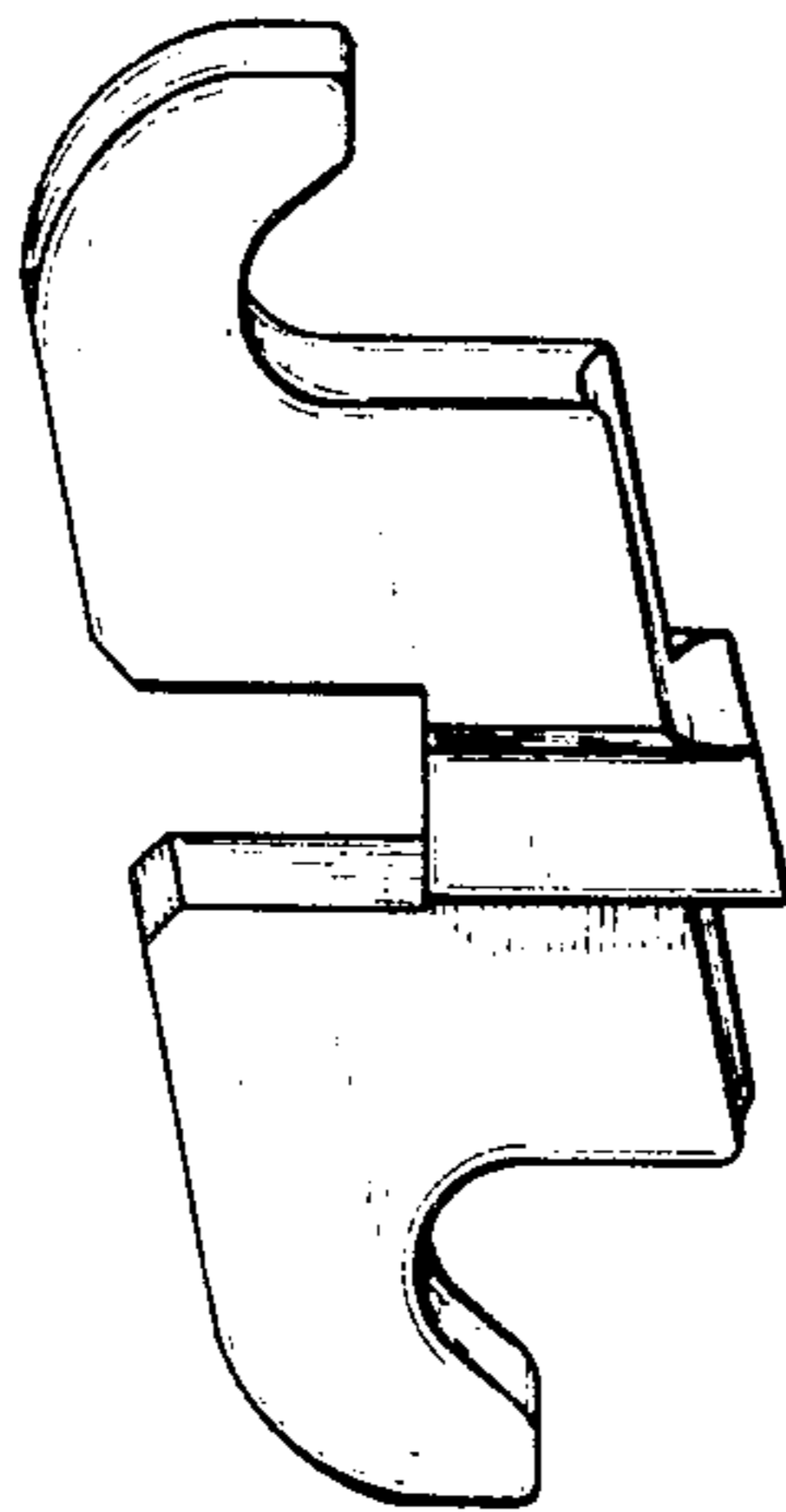


FIG-21



UNITED STATES PATENT AND TRADEMARK OFFICE  
**CERTIFICATE OF CORRECTION**

PATENT NO. : Des. 289,329

Page 1 of 3

DATED : April 14, 1987

INVENTOR(S) : Derek Evans

It is certified that error appears in the above-identified patent and that said Letters Patent is hereby corrected as shown below:

On the Title Page the "DESCRIPTION" should appear as shown below :

Fig. 1 is a perspective view of an orthodontic microbracket with slot extension showing my new design;

Fig. 2 is a rear elevational view thereof;

Fig. 3 is a bottom plan view thereof;

Fig. 4 is a top plan view thereof;

Fig. 5 is a front elevational view thereof;

Fig. 6 is a left side elevational view thereof;

Fig. 7 is a right side elevational view thereof;

Fig. 8 is a perspective view of a second embodiment thereof;

Fig. 9 is a rear elevational view of the embodiment of Fig. 8;

Fig. 10 is a top plan view of the embodiment of Fig. 8;

Fig. 11 is a bottom plan view of the embodiment of Fig. 8;



UNITED STATES PATENT AND TRADEMARK OFFICE  
CERTIFICATE OF CORRECTION

PATENT NO. : Des. 289,329  
DATED : April 14, 1987  
INVENTOR(S) : Derek Evans

Page 2 of 3

It is certified that error appears in the above-identified patent and that said Letters Patent is hereby corrected as shown below:

Fig. 12 is a front elevational view of the embodiment of Fig. 8;

Fig. 13 is a left side elevational view of the embodiment of Fig. 8;

Fig. 14 is a right side elevational view of the embodiment of Fig. 8;

Fig. 15 is a perspective view of a third embodiment thereof;

Fig. 16 is a rear elevational view of the embodiment of Fig. 15;

Fig. 17 is a top plan view of the embodiment of Fig. 15;

Fig. 18 is a bottom plan view of the embodiment of Fig. 15;

Fig. 19 is a front elevational view of the embodiment of Fig. 15;

UNITED STATES PATENT AND TRADEMARK OFFICE  
**CERTIFICATE OF CORRECTION**

PATENT NO. : Des. 289,329

Page 3 of 3

DATED : April 14, 1987

INVENTOR(S) : Derek Evans

It is certified that error appears in the above-identified patent and that said Letters Patent is hereby corrected as shown below:

Fig. 20 is a left side elevational view of the embodiment of Fig. 15; and

Fig. 21 is a right side elevational view of the embodiment of Fig. 15.

**Signed and Sealed this  
Fifteenth Day of September, 1987**

*Attest:*

DONALD J. QUIGG

*Attesting Officer*

*Commissioner of Patents and Trademarks*