

[54] **IV INFUSION CONTROLLER**

4,553,958 11/1985 Lecocq 604/246 X

[75] **Inventors: Bruce R. Campbell; Stephen O. Ross,**
both of San Diego, Calif.

Primary Examiner—A. Hugo Word
Assistant Examiner—Stella M. Reid
Attorney, Agent, or Firm—Fulwider, Patton, Rieber,
Lee & Utecht

[73] **Assignee: IVAC Corporation, San Diego, Calif.**

[**] **Term: 14 Years**

[57] **CLAIM**

[21] **Appl. No.: 680,926**

The ornamental design for an IV infusion controller, as shown and described.

[22] **Filed: Dec. 12, 1984**

[52] **U.S. Cl. D24/8; D24/17**

DESCRIPTION

[58] **Field of Search D24/51, 52, 8, 17;**
604/65, 67, 245, 246, 253, 250; 128/DIG. 1,
DIG. 12, DIG. 13

FIG. 1 is a front elevational view of an IV infusion controller embodying our new design;
FIG. 2 is a left side elevational view thereof;
FIG. 3 is a top plan view thereof;
FIG. 4 is a rear elevational view thereof;
FIG. 5 is a right side elevational view thereof; and
FIG. 6 is a bottom plan view thereof.

[56] **References Cited**

U.S. PATENT DOCUMENTS

- D. 236,163 7/1975 Manno D24/8
- D. 251,067 2/1979 Zissimopoulos 604/246 X
- D. 268,284 3/1983 Manno et al. D24/8
- 4,460,358 7/1984 Somerville et al. D24/8 X

The broken line showing of the clamp in FIGS. 2 through 6 is for illustrative purposes only and forms no part of the claimed design.

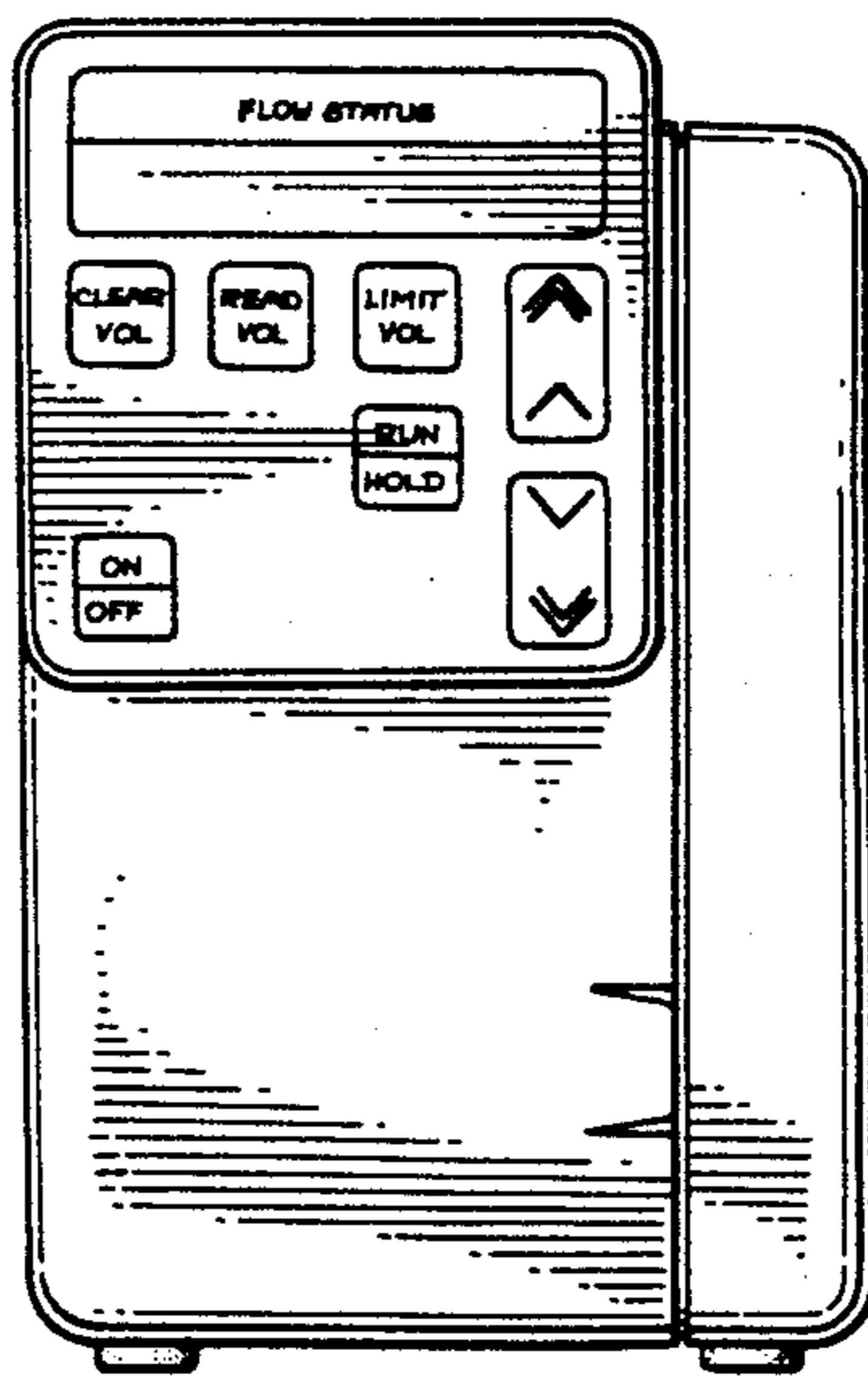


FIG. 1

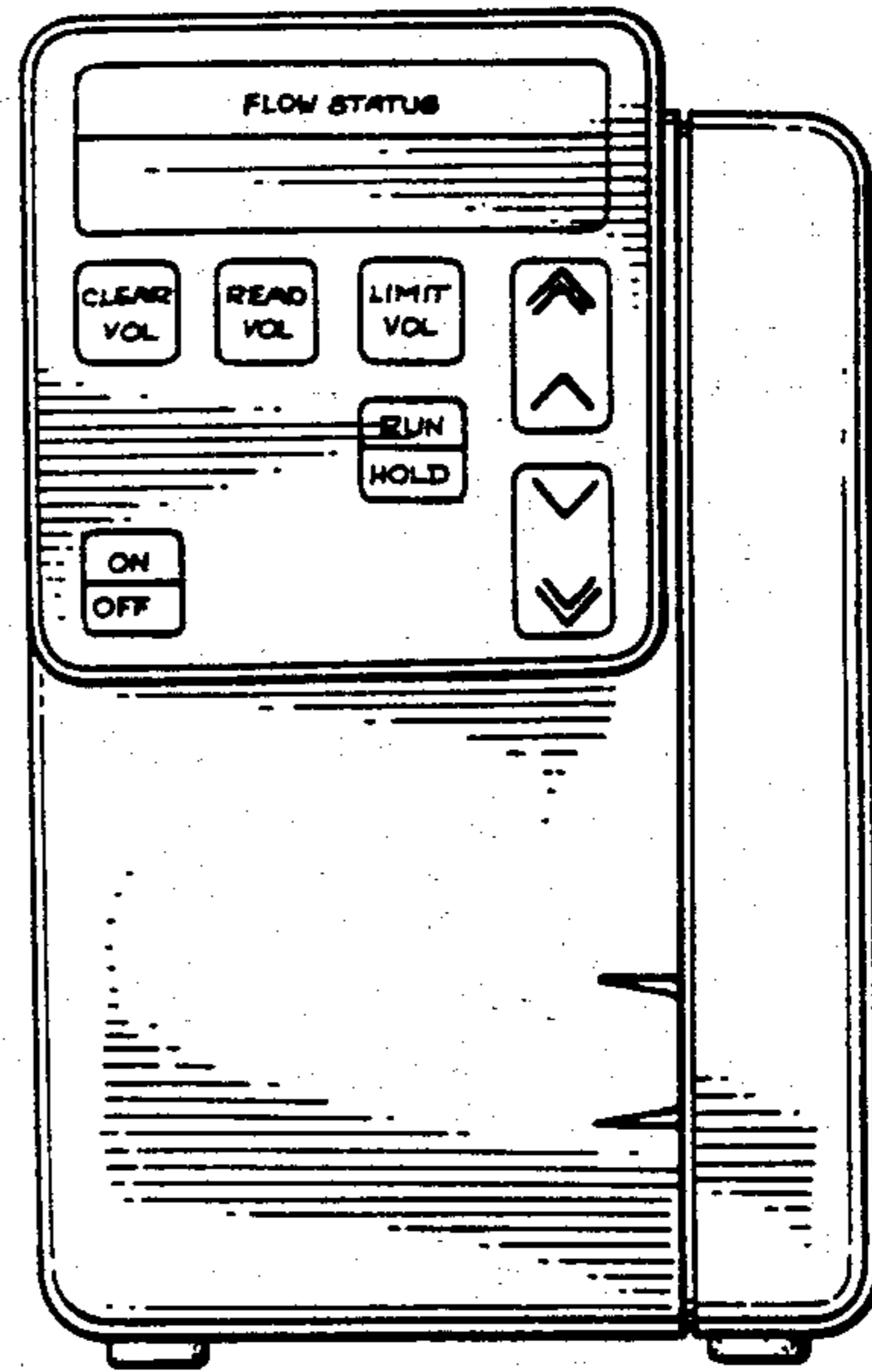


FIG. 2

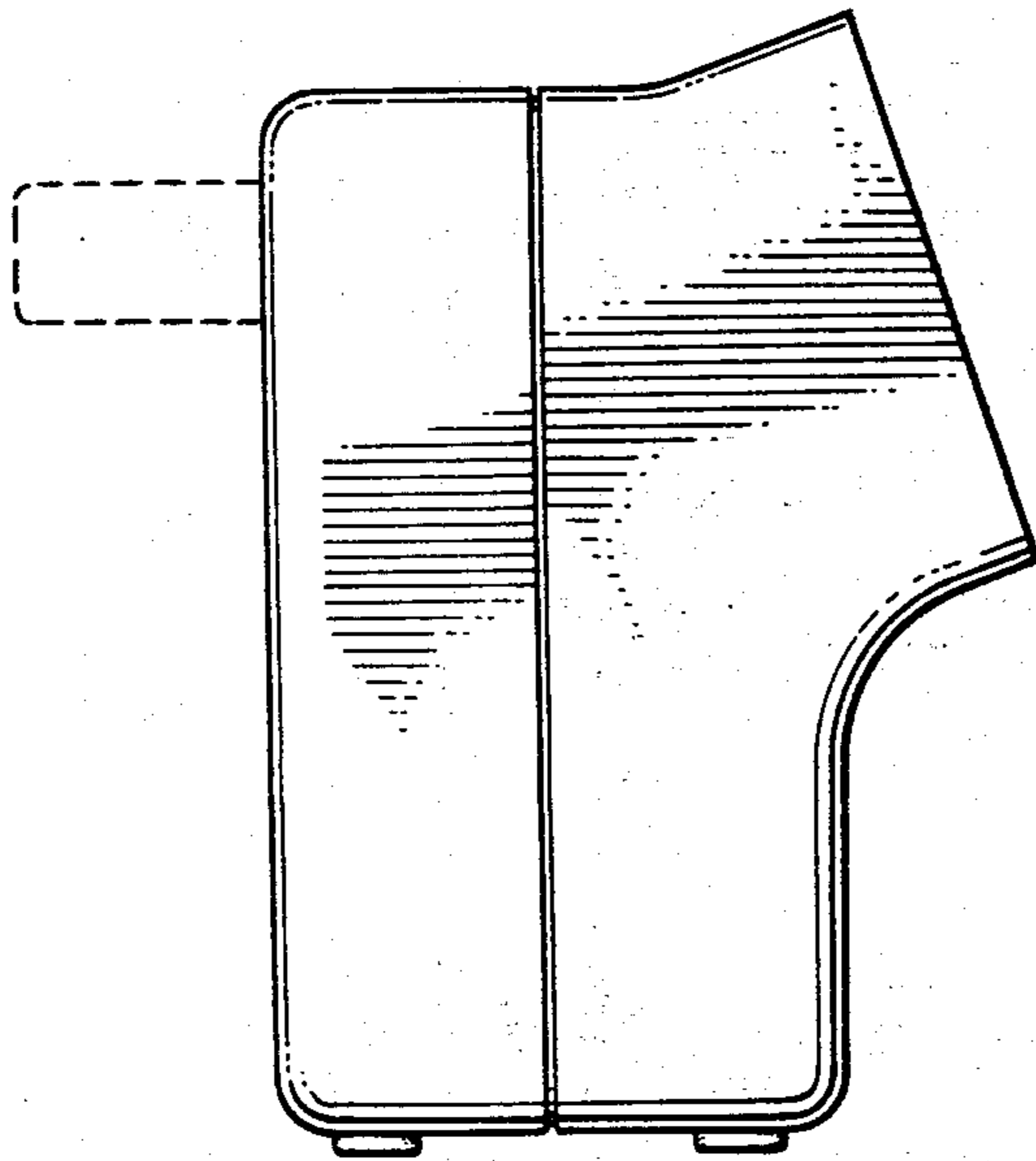


FIG. 3

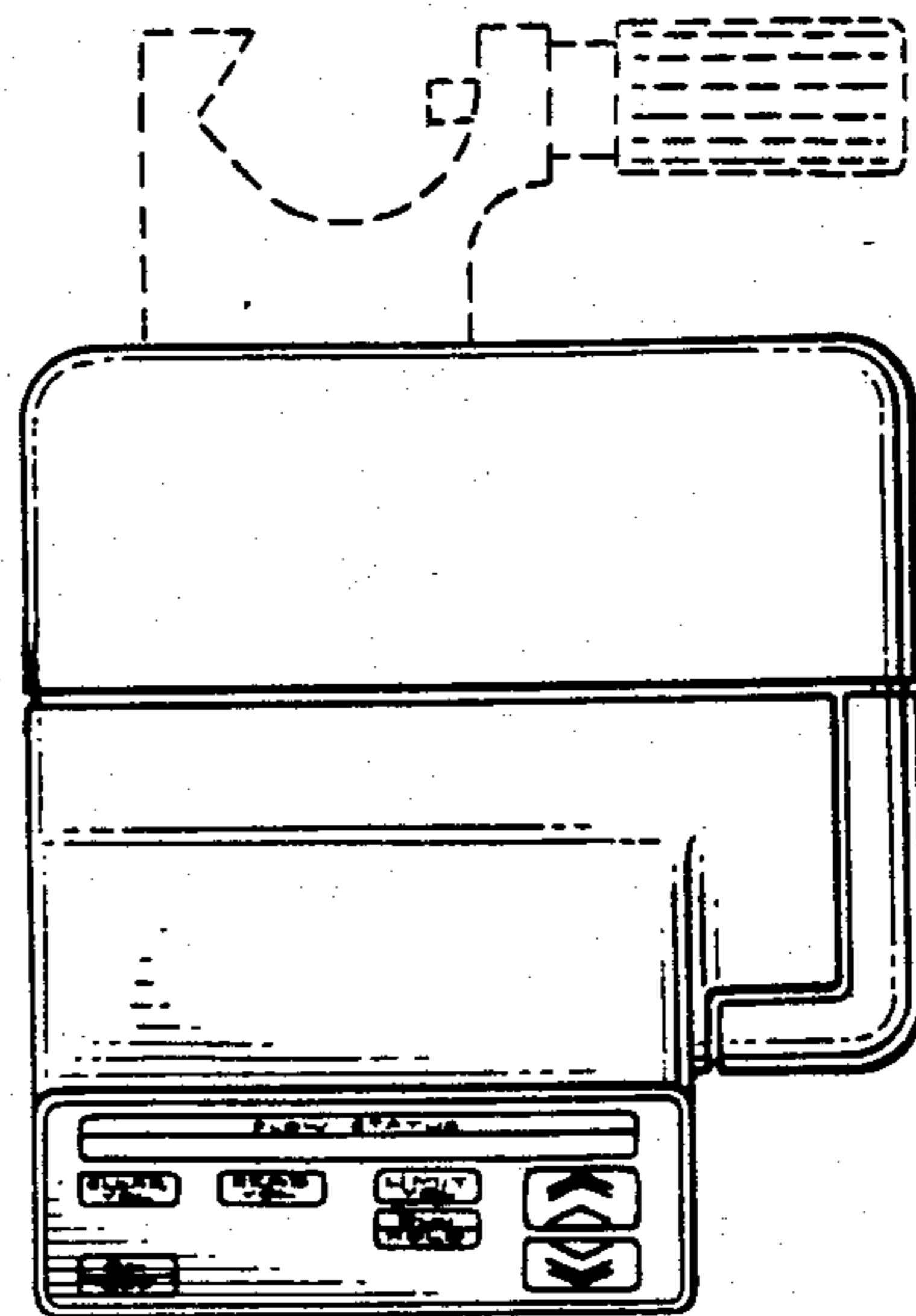


FIG. 4

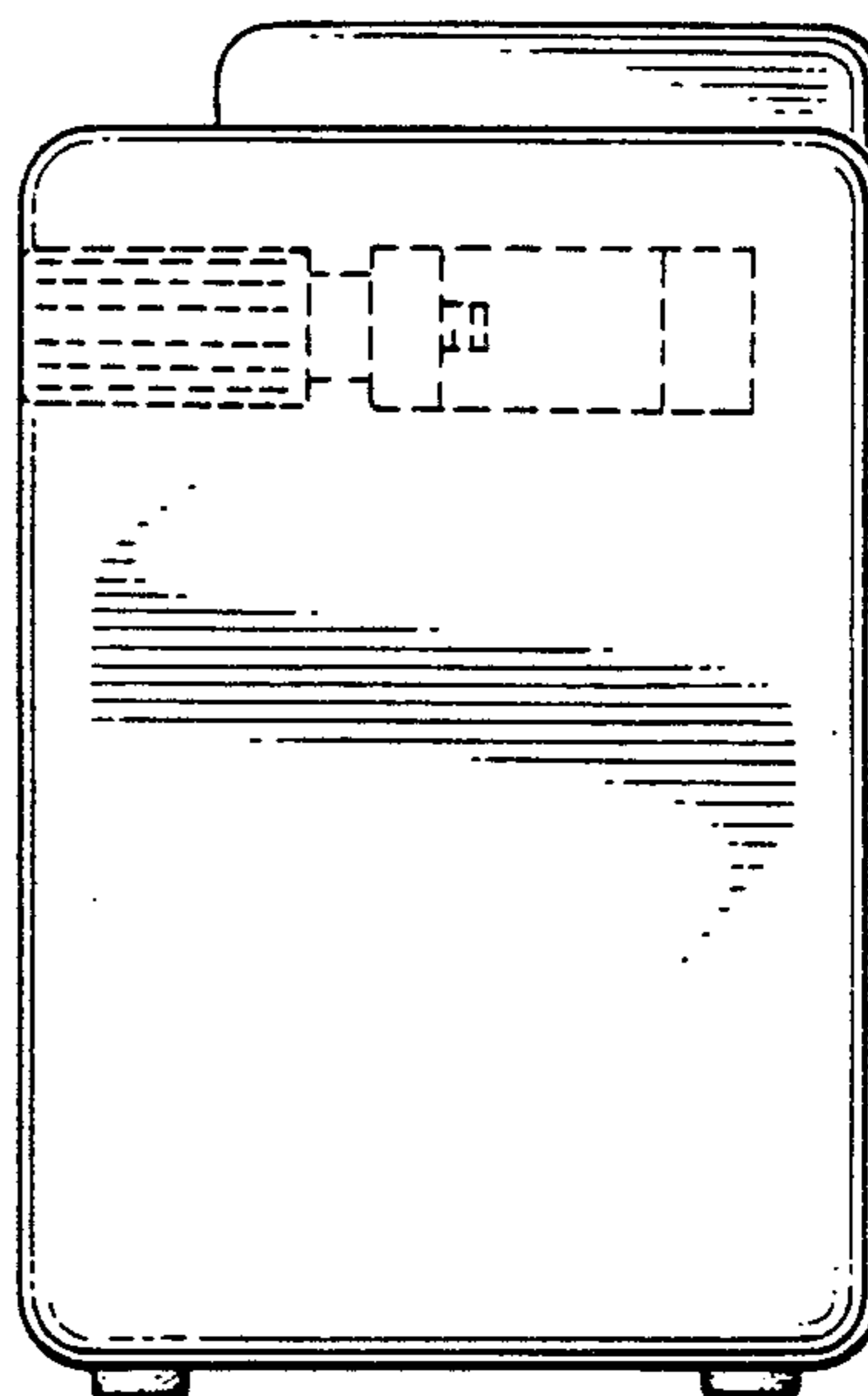


FIG. 5

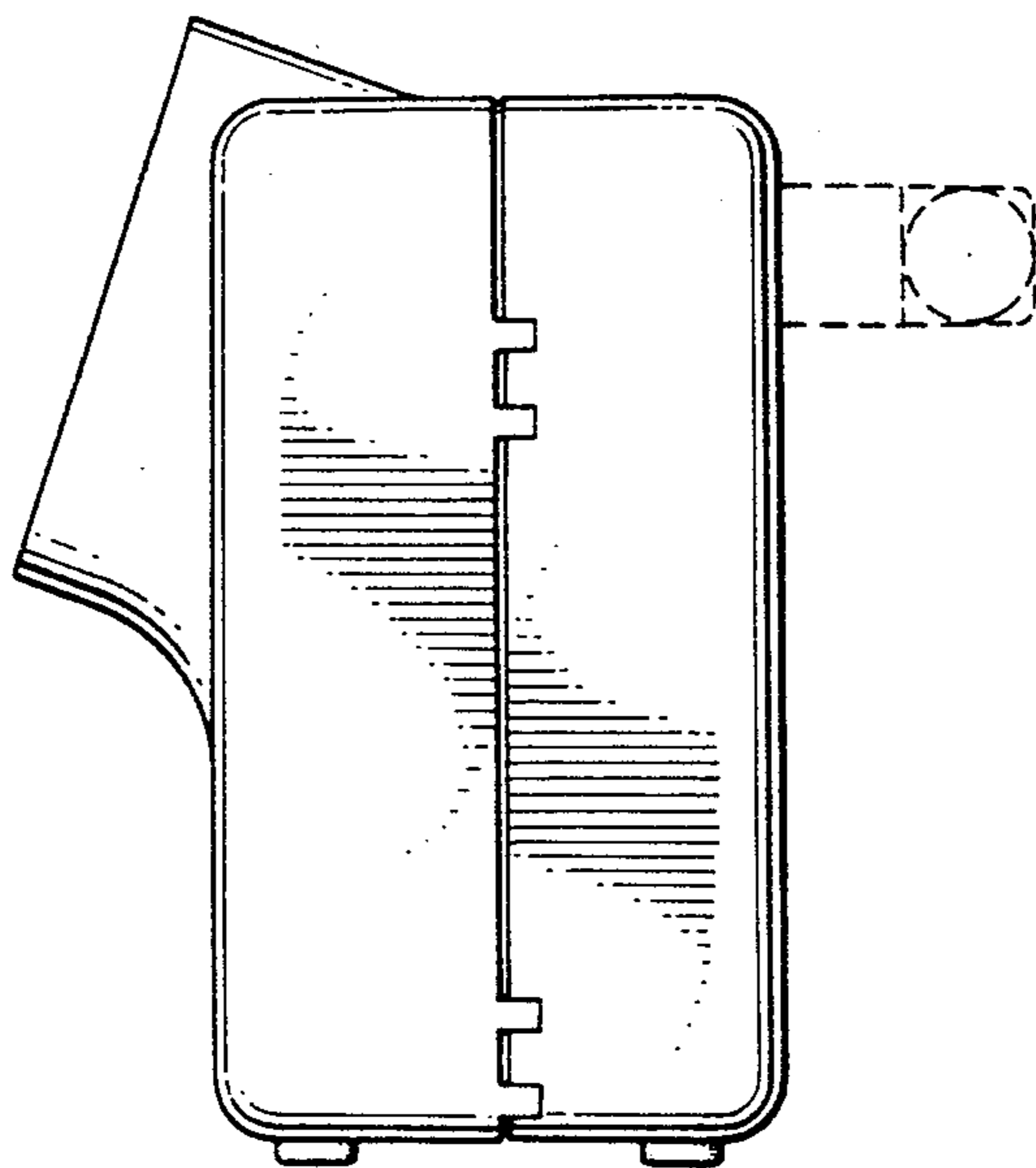


FIG. 6

