

# United States Patent [19]

Kirsch

[11] Patent Number: **Des. 289,316**

[45] Date of Patent: **\*\* Apr. 14, 1987**

[54] **SHOTGUN SHELL DISMANTLER**

[76] Inventor: **Jacques M. Kirsch**, 243 Knollwood Ave., Mamaroneck, N.Y. 10543

[\*\*] Term: **14 Years**

[21] Appl. No.: **640,877**

[22] Filed: **Aug. 15, 1984**

[52] U.S. Cl. .... **D22/199**

[58] Field of Search ..... **D22/199; 81/3.05; 30/120.1, 120.2, 120.3; D8/396, 499; 86/1 A, 1.1, 49; 42/46**

[56] **References Cited**

**U.S. PATENT DOCUMENTS**

299,302	5/1884	Waymire	42/46
2,970,508	2/1961	Wicks	86/49
3,898,908	8/1975	Isenhower et al.	86/49

3,942,277	3/1976	Atchisson	42/25
4,441,400	4/1984	Sexton	86/1.1

*Primary Examiner*—Wallace R. Burke  
*Assistant Examiner*—Ruth E. Takemoto

[57] **CLAIM**

The ornamental design for a shotgun shell dismantler, as shown and described.

**DESCRIPTION**

FIG. 1 is a perspective view of a shotgun shell dismantler showing my new design;  
FIG. 2 is a front elevational view thereof;  
FIG. 3 is a side elevational view thereof, the opposite side being a mirror image;  
FIG. 4 is a top plan view thereof;  
FIG. 5 is a bottom plan view thereof; and  
FIG. 6 is a rear elevational view thereof.

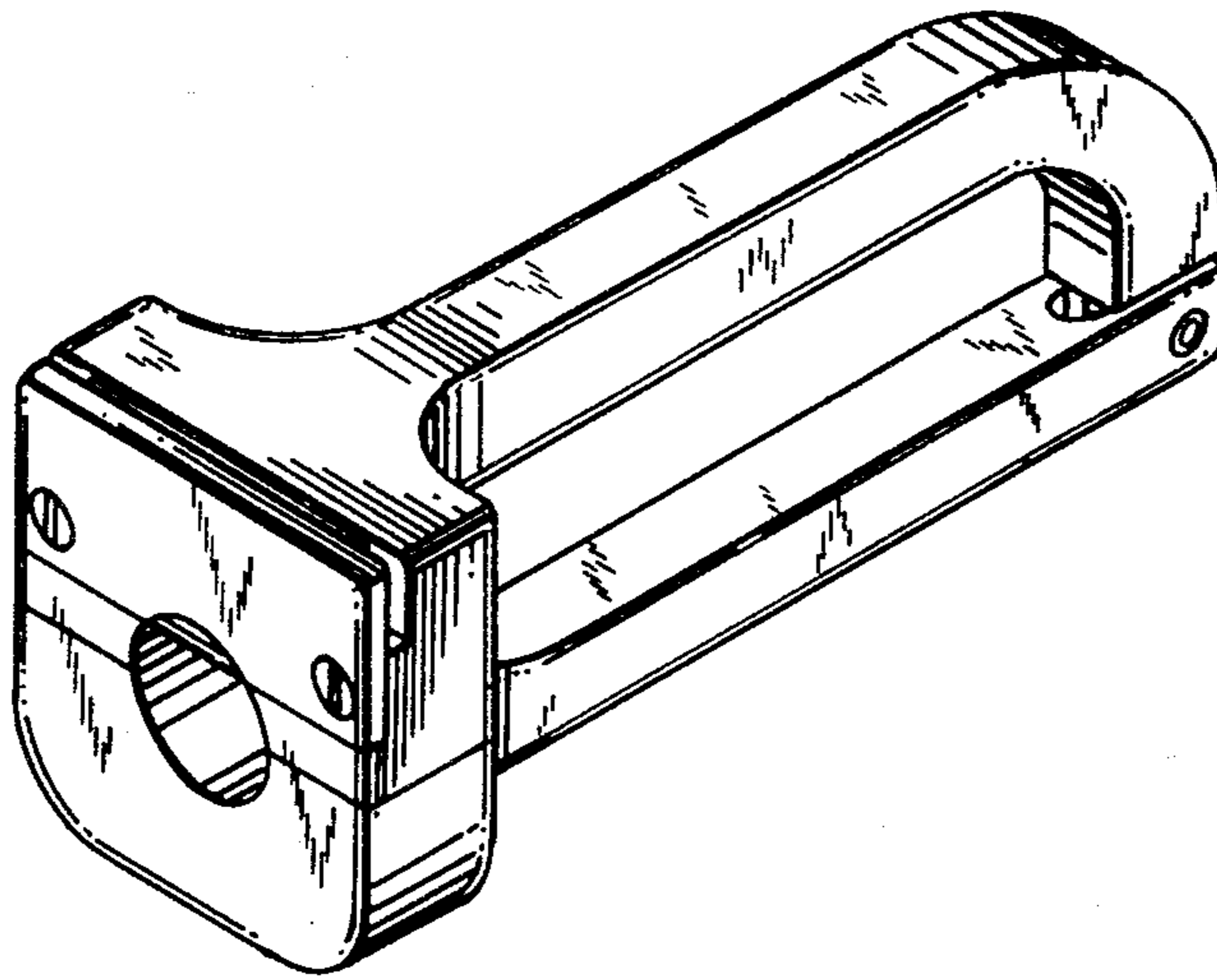


FIG.1

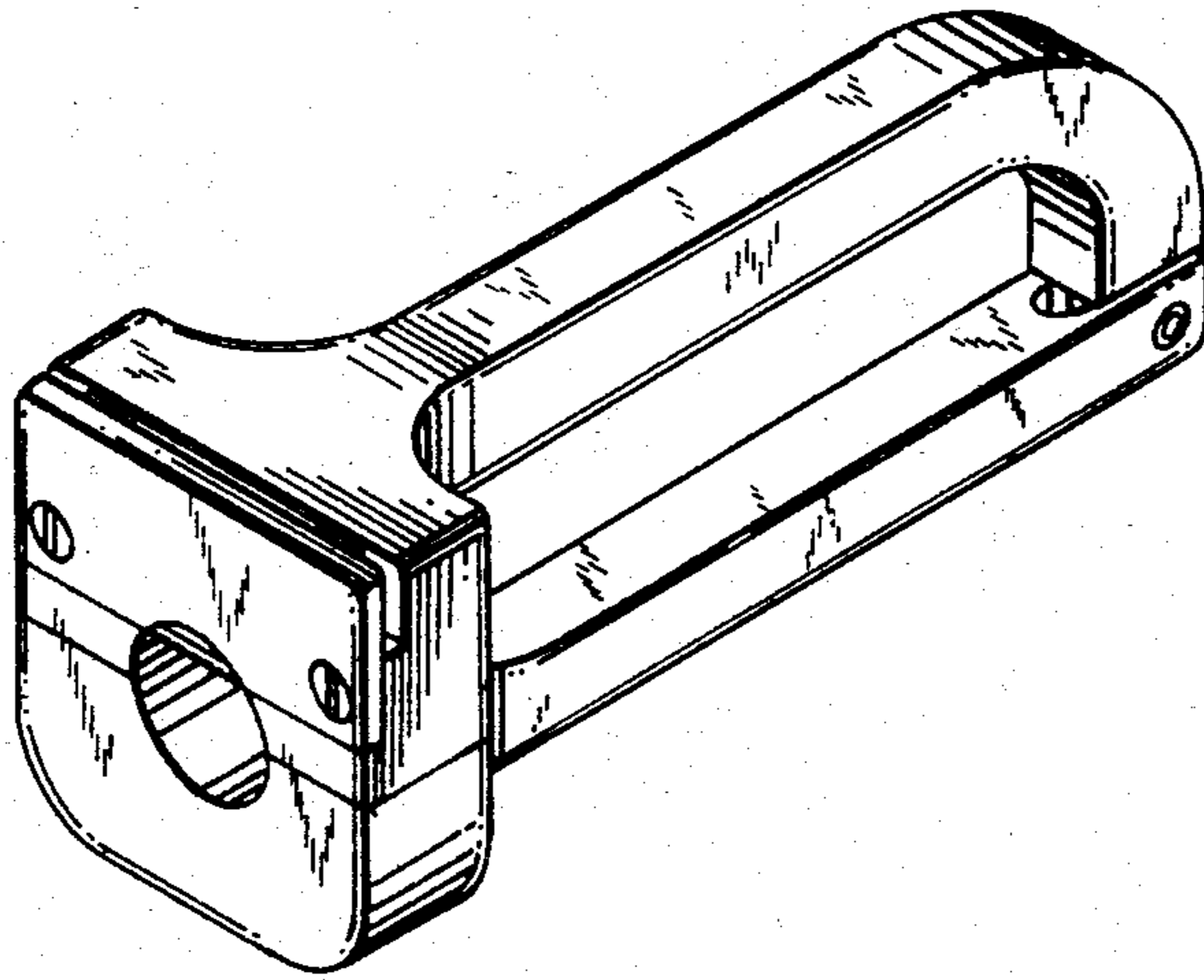


FIG.2

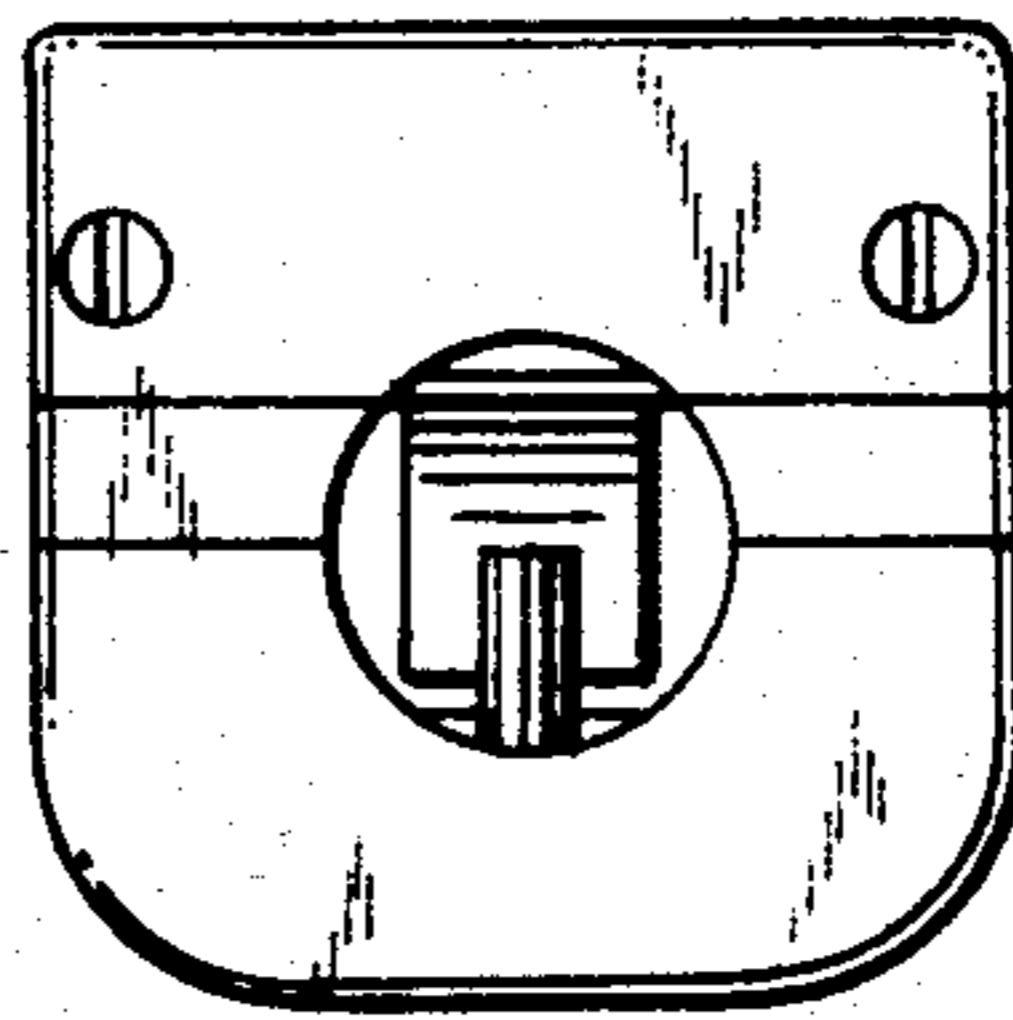


FIG.3

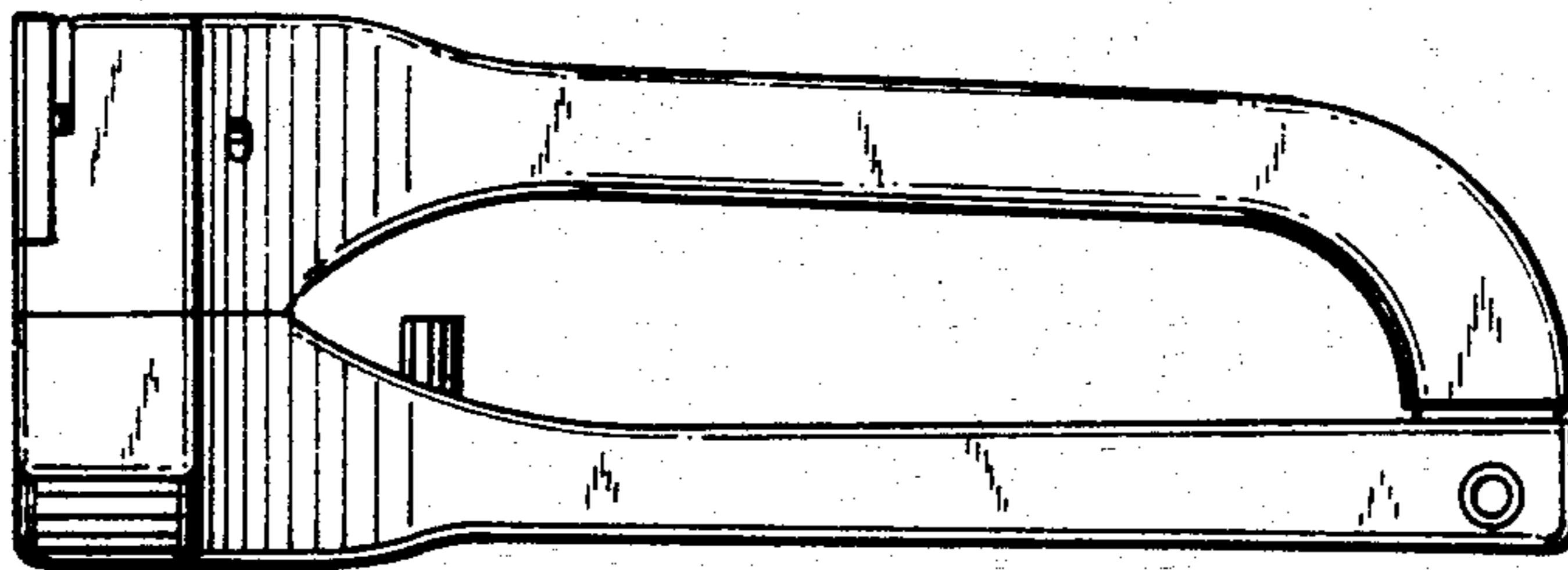


FIG.4

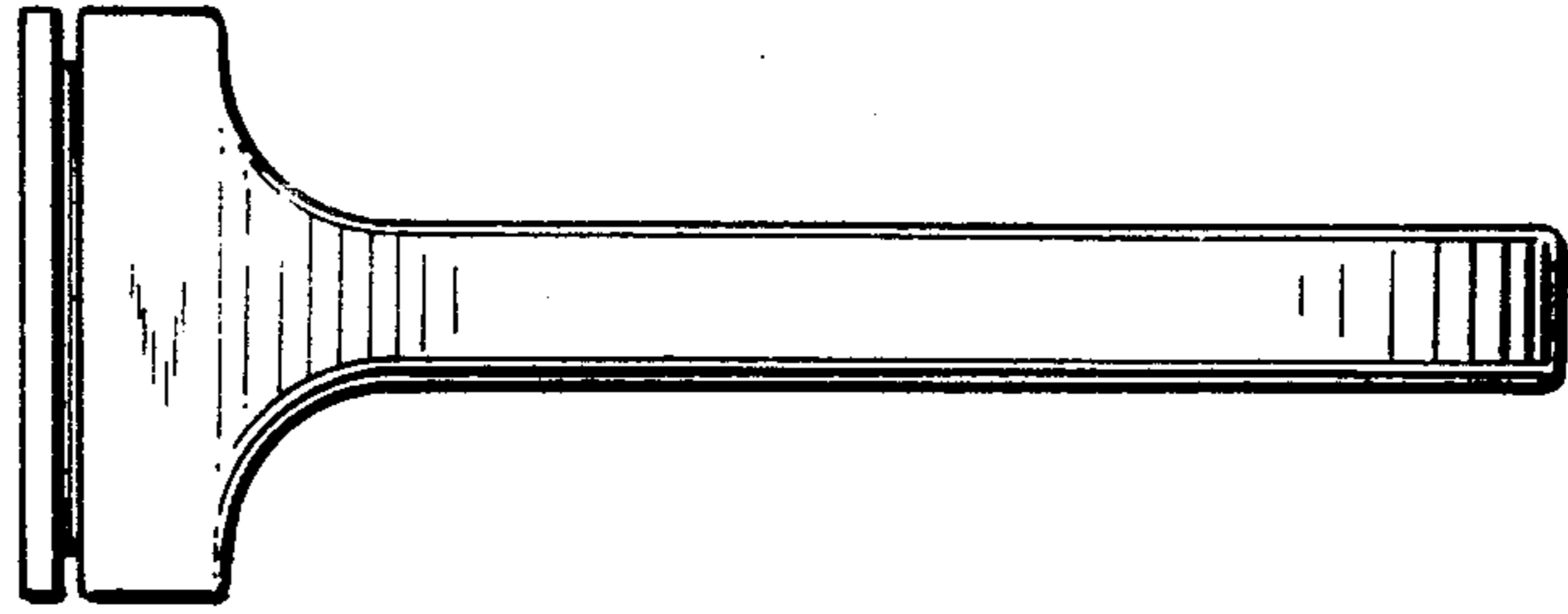


FIG.5

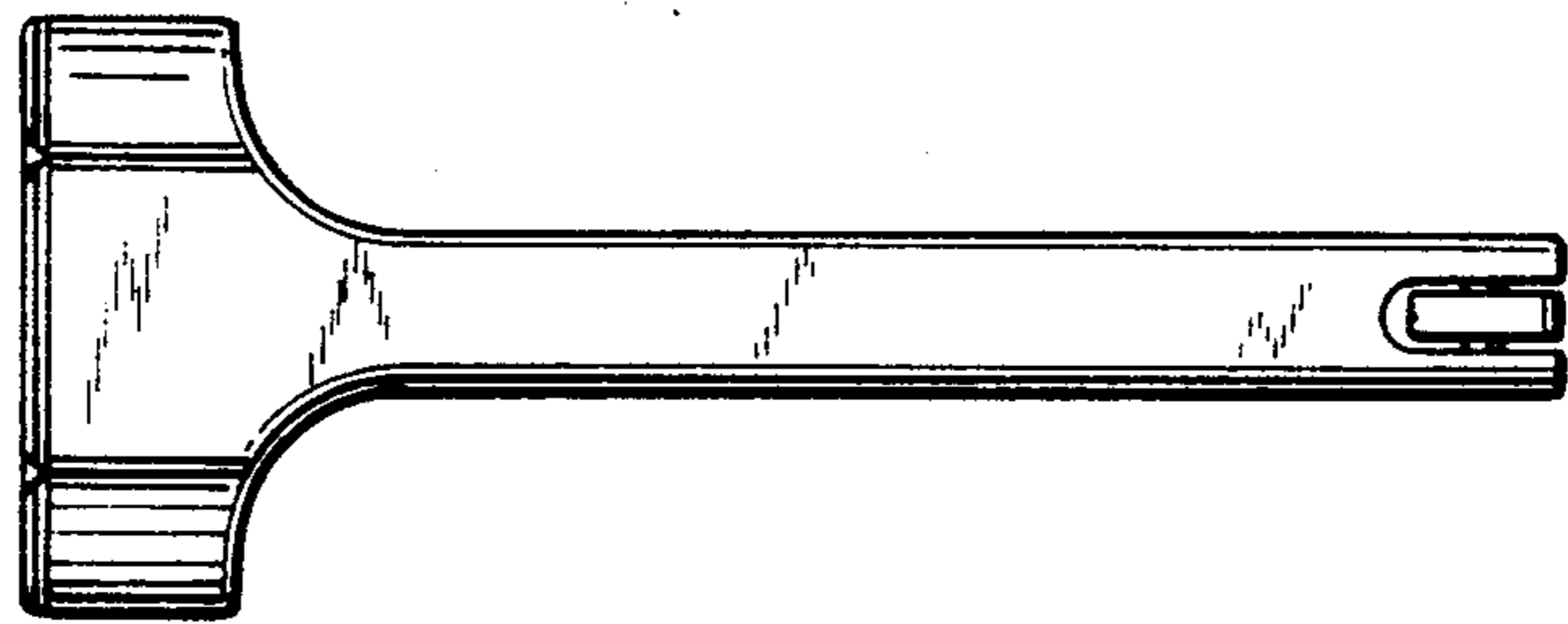


FIG.6

