

[54] ADHESIVE RODENT TRAP TRAY

[76] Inventor: Moses Frisch, 9 - 53rd St., Brooklyn, N.Y. 11232

[**] Term: 14 Years

[21] Appl. No.: 639,506

[22] Filed: Aug. 10, 1984

[52] U.S. Cl. D22/119

[58] Field of Search D22/11^o; 43/124, 114, 43/136, 58

[56] References Cited

U.S. PATENT DOCUMENTS

- D. 260,418 8/1981 Baker et al. D22/119
- D. 274,545 7/1984 McClelland et al. D22/119
- 3,896,995 7/1975 Leltcoff 43/132.1
- 4,438,584 3/1984 Baker et al. 43/114

FOREIGN PATENT DOCUMENTS

- 786534 6/1968 Canada 43/100

OTHER PUBLICATIONS

Pest Control Technology, July 1977, p. 34, SMCP Co, Inc's Ad, #1, Trap α Stik TM.

Primary Examiner—James M. Gandy
Assistant Examiner—Kay H. Chin
Attorney, Agent, or Firm—Helfgott & Karas

[57] CLAIM

The ornamental design for an adhesive rodent trap tray, as shown and described.

DESCRIPTION

FIG. 1 is a perspective view of an adhesive rodent trap tray showing my new design.

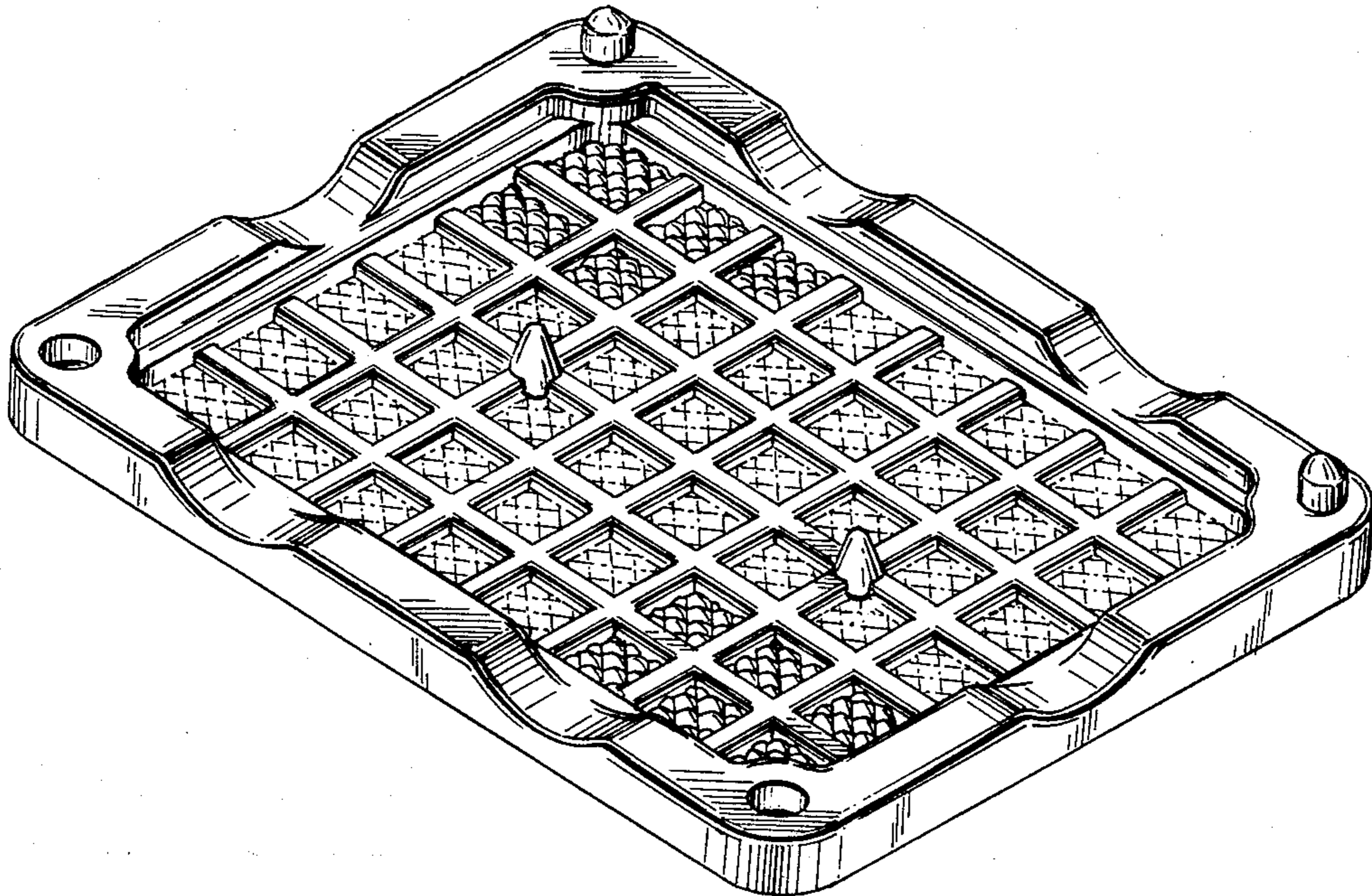
FIG. 2 is a top plan view thereof.

FIG. 3 is a bottom plan view thereof.

FIG. 4 is a side view thereof, the other side being the same.

FIG. 5 is an end view thereof, the other end being the same.

FIG. 6 is a cross-sectional view taken along line 6-6 of FIG. 2.



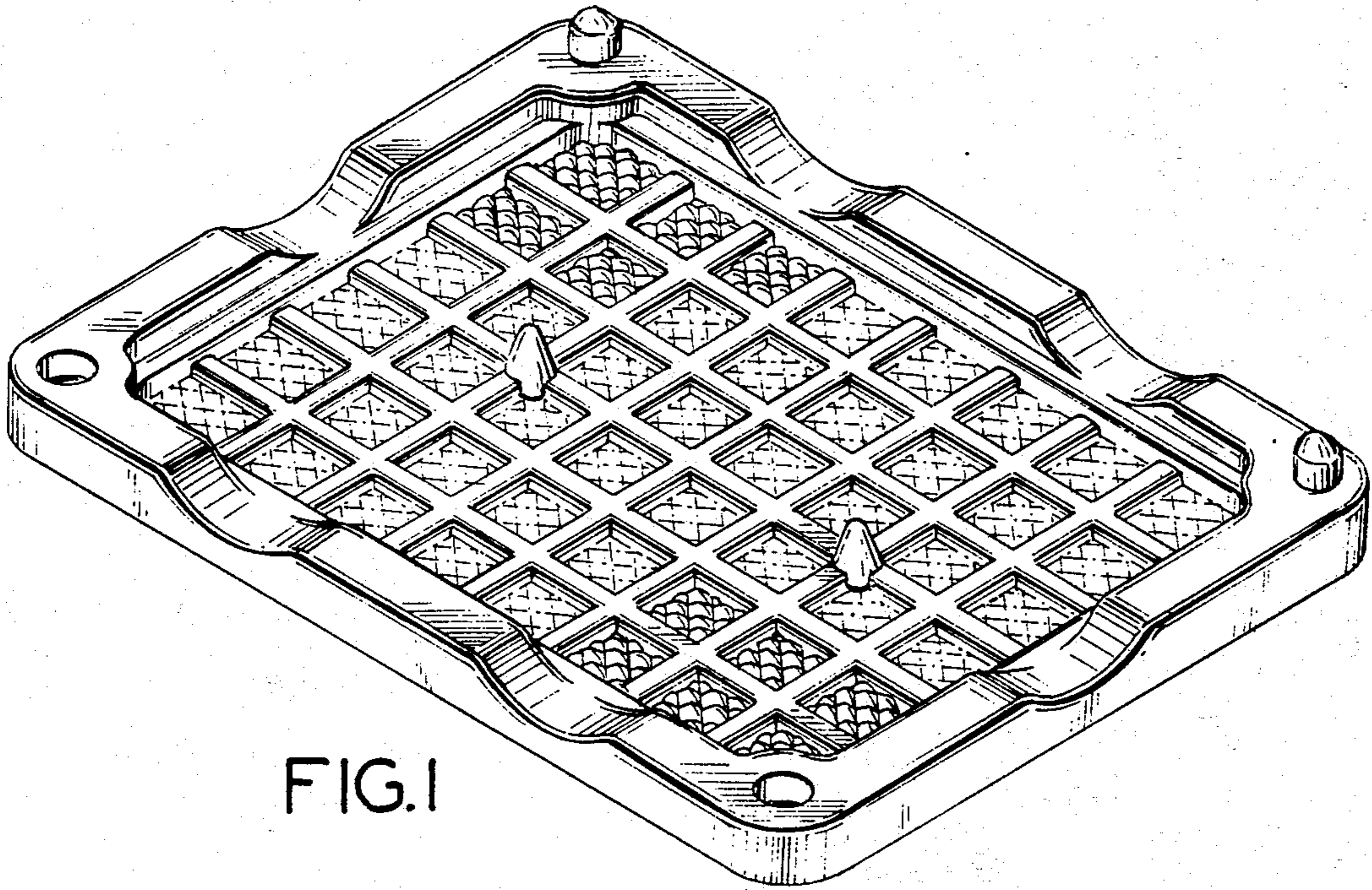


FIG. 1

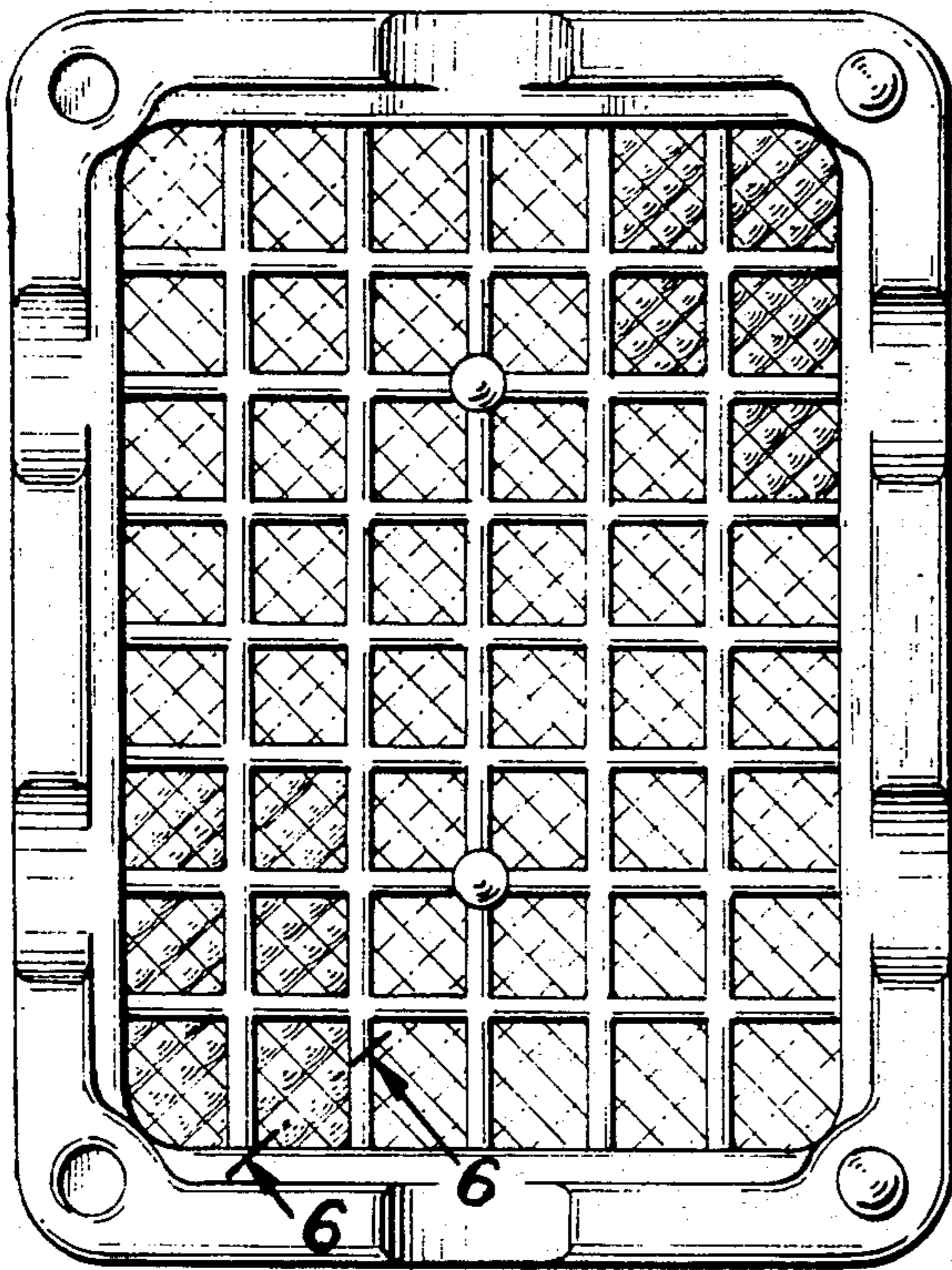


FIG. 2

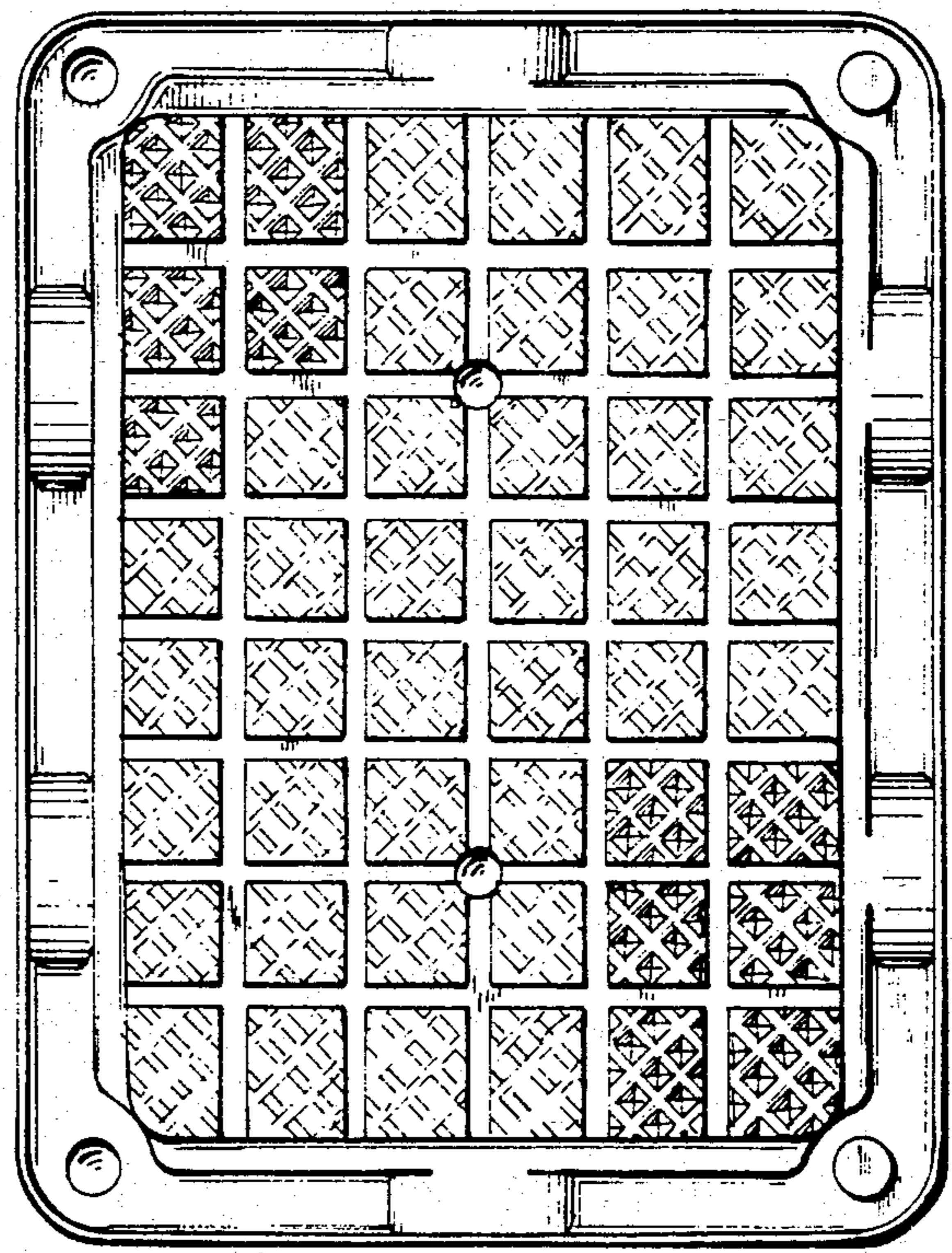


FIG. 3

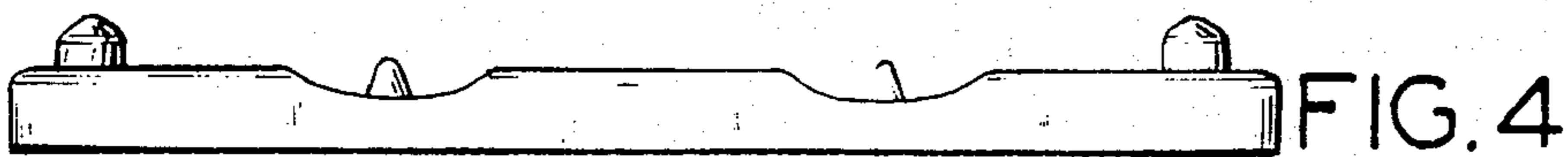


FIG. 4

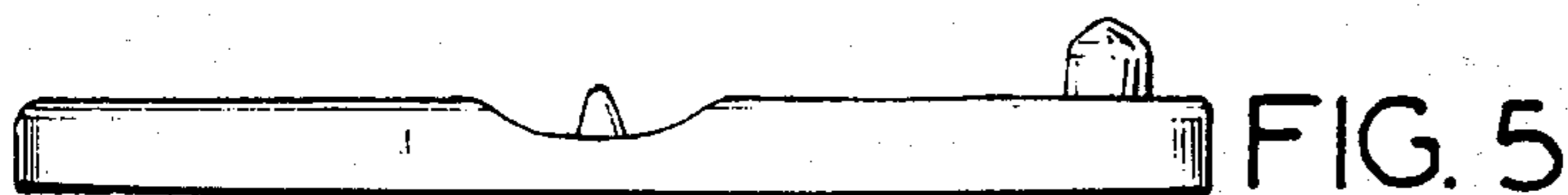


FIG. 5



FIG. 6