

[54] EXERCISE TREADMILL

[75] Inventors: James A. Trulaske; Frank R. Trulaske, both of Chesterfield, Mo.

[73] Assignee: True & True, St. Louis, Mo.

[**] Term: 14 Years

[21] Appl. No.: 647,690

[22] Filed: Sep. 6, 1984

[52] U.S. Cl. D21/192

[58] Field of Search D21/191-199; 272/69

[56] References Cited

U.S. PATENT DOCUMENTS

D. 207,541	5/1967	Hesen	D21/192
D. 211,801	7/1968	Quinton	D34/5
D. 231,678	5/1974	Trotter	D21/192
D. 232,446	8/1974	Townsend	D34/5 K
D. 270,555	9/1983	Ogden	D21/192
D. 273,029	3/1984	Kullenberg	D21/192
D. 280,002	8/1985	Smith	D21/192
D. 283,239	4/1986	Smith et al.	D21/192
3,659,845	5/1972	Quinton	272/69
3,711,812	1/1973	Cherry	272/69
4,151,988	5/1979	Nabinger	272/69

OTHER PUBLICATIONS

M & R Industries, Flier ©1984, Auita 350, Electric Treadmill.

File Wrapper of U.S. Design Pat. No. 280,002 including all prior art listed therein.

Amerec 930e Precision Running Machine ©1983.

Burdick Corporation advertising material for Models TSM-300 and TSM-400 treadmills.

Cardiac Research, Inc. advertising material for ICR Whispermill model treadmill.

Hayden Industries, Inc. advertising material illustrating Woodway treadmill.

Kidde, Inc. advertising material for Tredex Nos. 2902, 2903, 2904, 2905 and 2921 treadmills.

Fitness Equipment advertising material for Marathon 1,000, 3,000, 5,000, 5,000E and 7,000 treadmills.

MacLevy Products Corp. advertising material for "Jog Master," Jog O Matic, Cardial Fitness, and Tunturi.

MGI Strength/Fitness Systems advertising for Models 23N and 23P treadmills.

Marquette Electronics, Inc. advertising for Series 6500 modular exercise system.

M & R Industries, Inc. advertising for Delo Treadmill.

Ogden Health Products advertising for TM Pacer II treadmill.

Paser Industries Inc. advertising for Models R1, R2, R2D, R3, R3 Digital, R9 and R9 Medical treadmills.

Trotter Treadmills, Inc. advertising for Models C22, Trotter 320 and Trotter 3100 treadmills.

Quinton Instrument Company advertising for Models 18-49, 18-60, 24-72 and 18-54 treadmills.

Primary Examiner—Charles A. Rademaker
Attorney, Agent, or Firm—Polster, Polster and Lucchesi

[57] CLAIM

The ornamental design for exercise treadmill, as shown and described.

DESCRIPTION

FIG. 1 is a perspective view of an exercise treadmill, showing our new design;

FIG. 2 is a right side elevational view, the left side elevational view being a mirror image thereof;

FIG. 3 is a rear elevational view;

FIG. 4 is a top plan view;

FIG. 5 is a front end elevational view; and

FIG. 6 is a bottom plan elevational view.

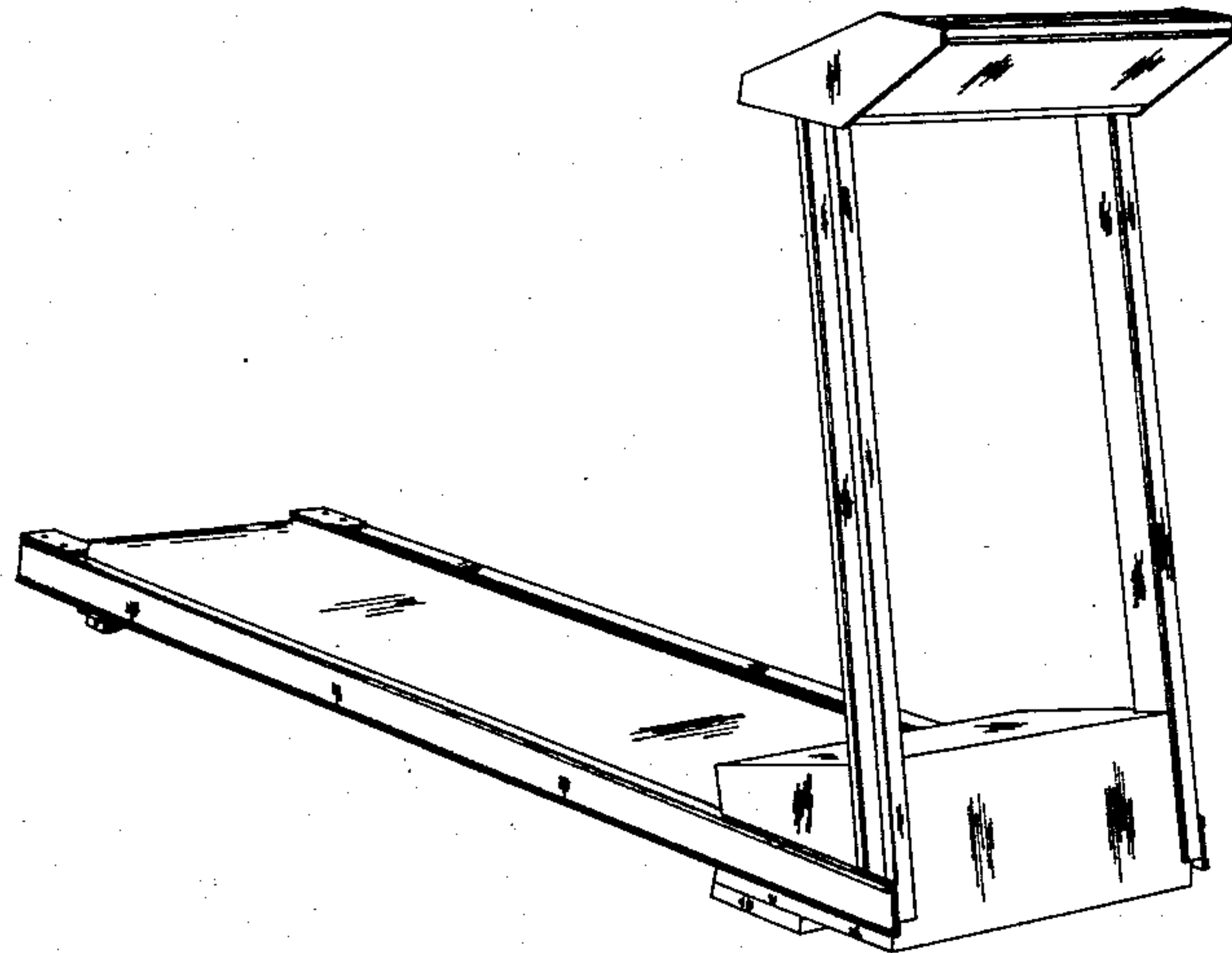


FIG. 1

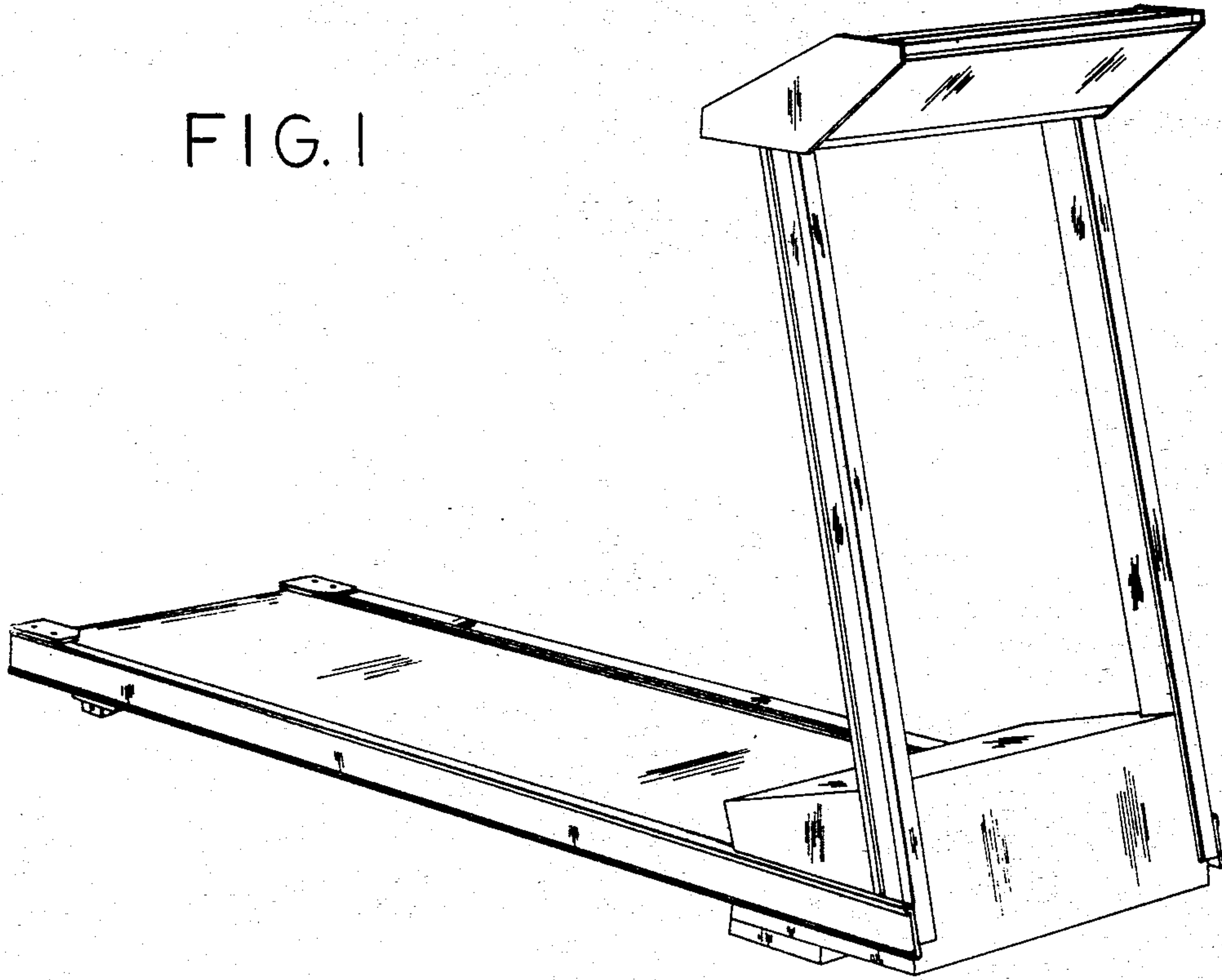


FIG. 2

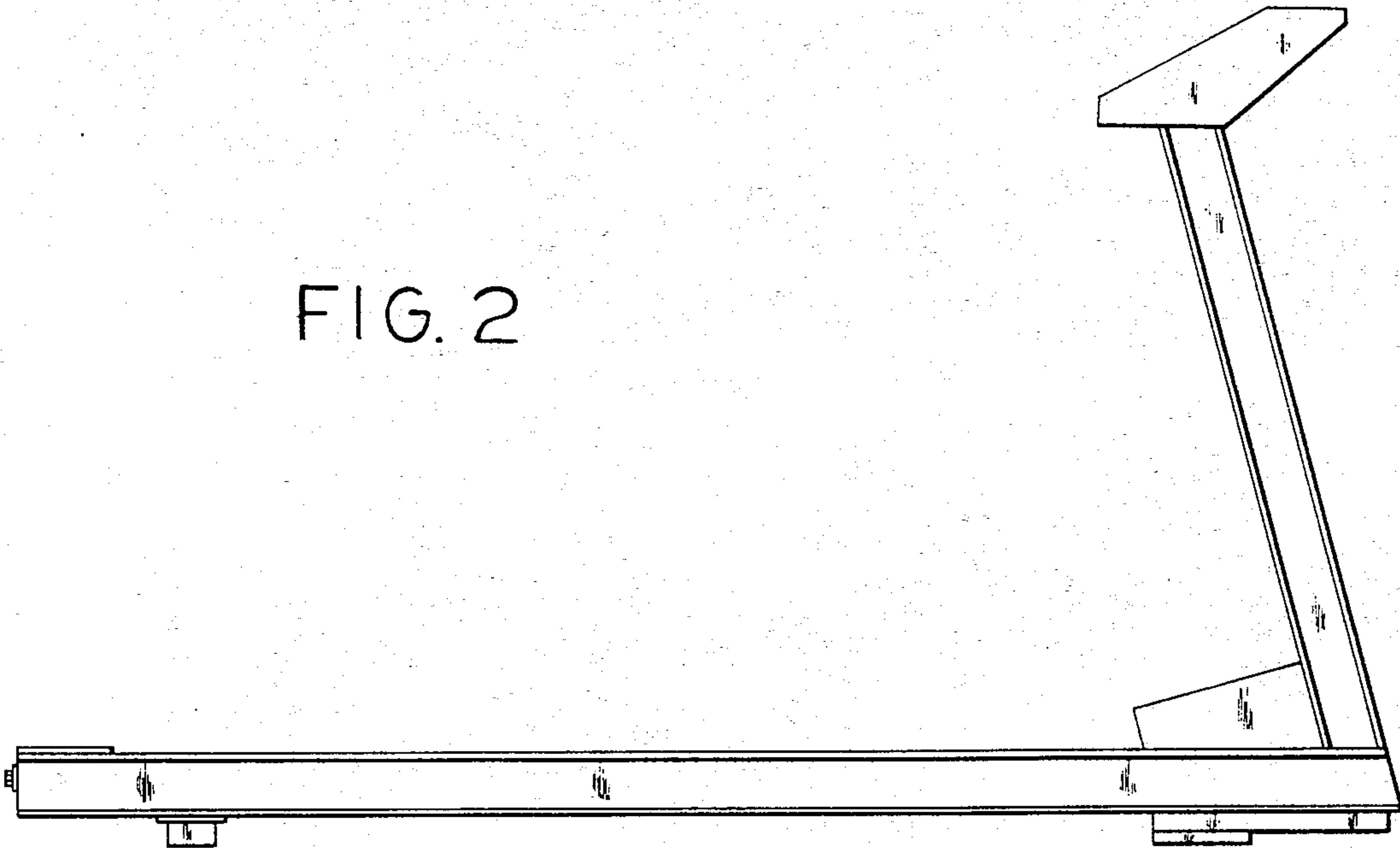


FIG. 3

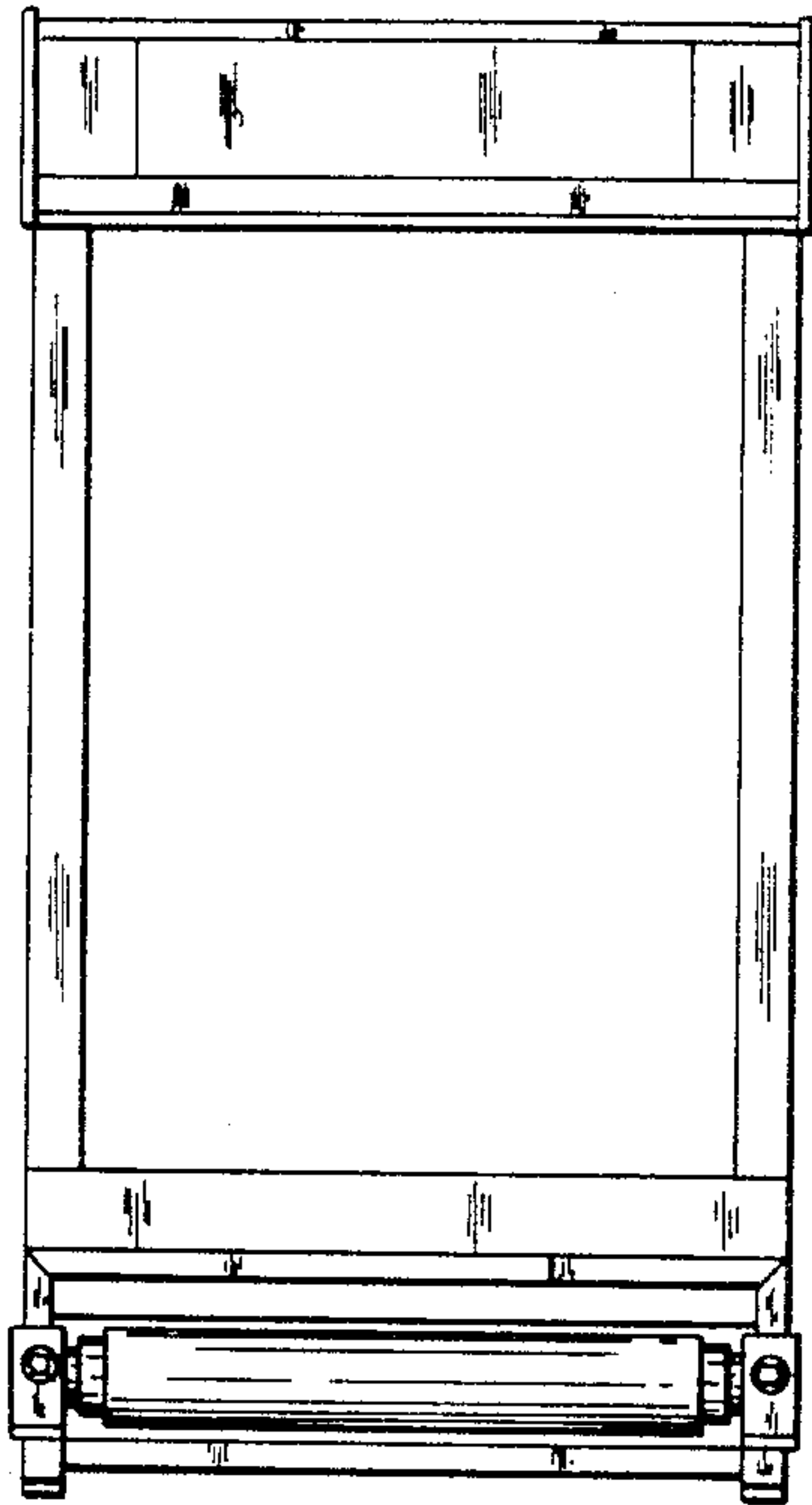


FIG. 5

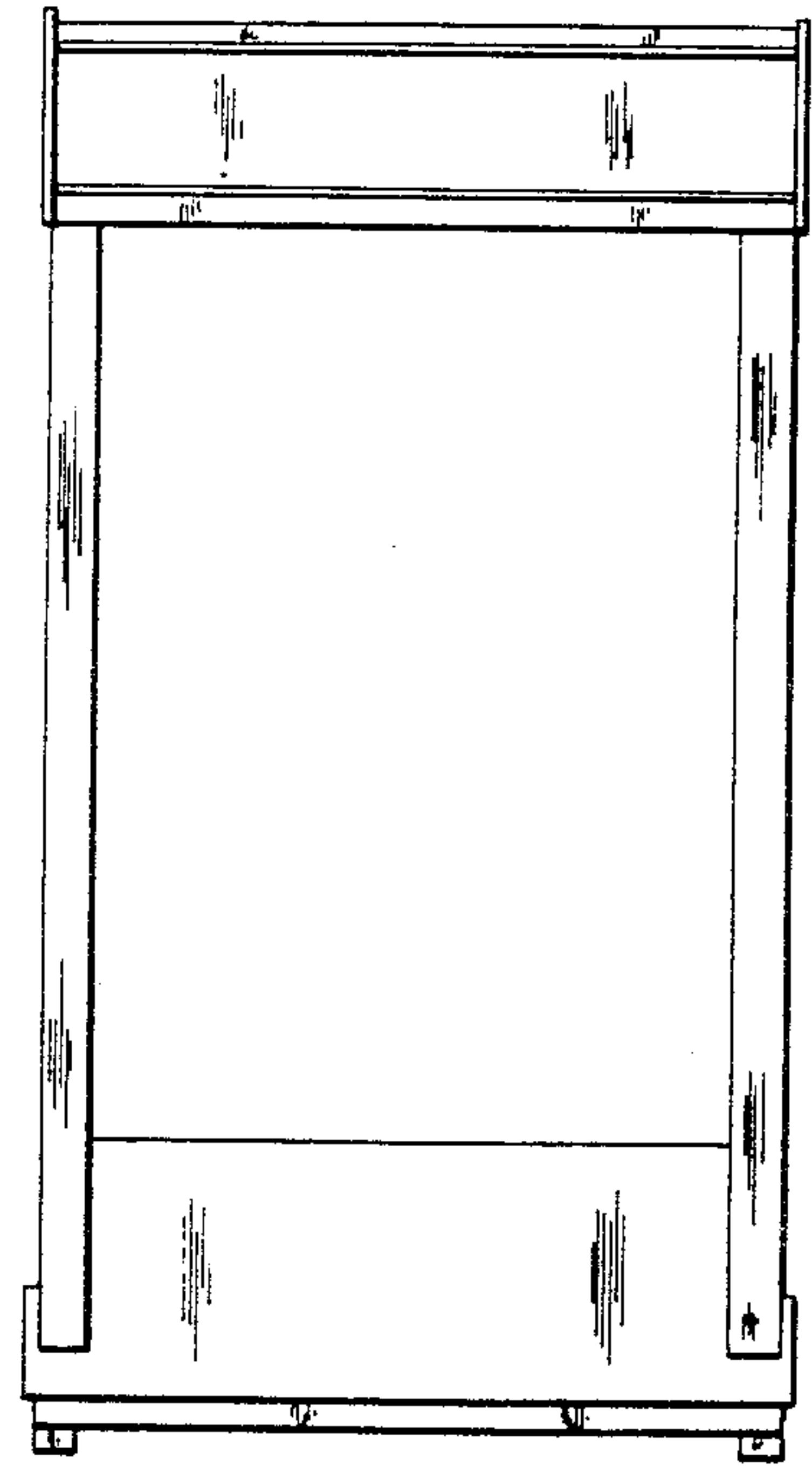


FIG. 4

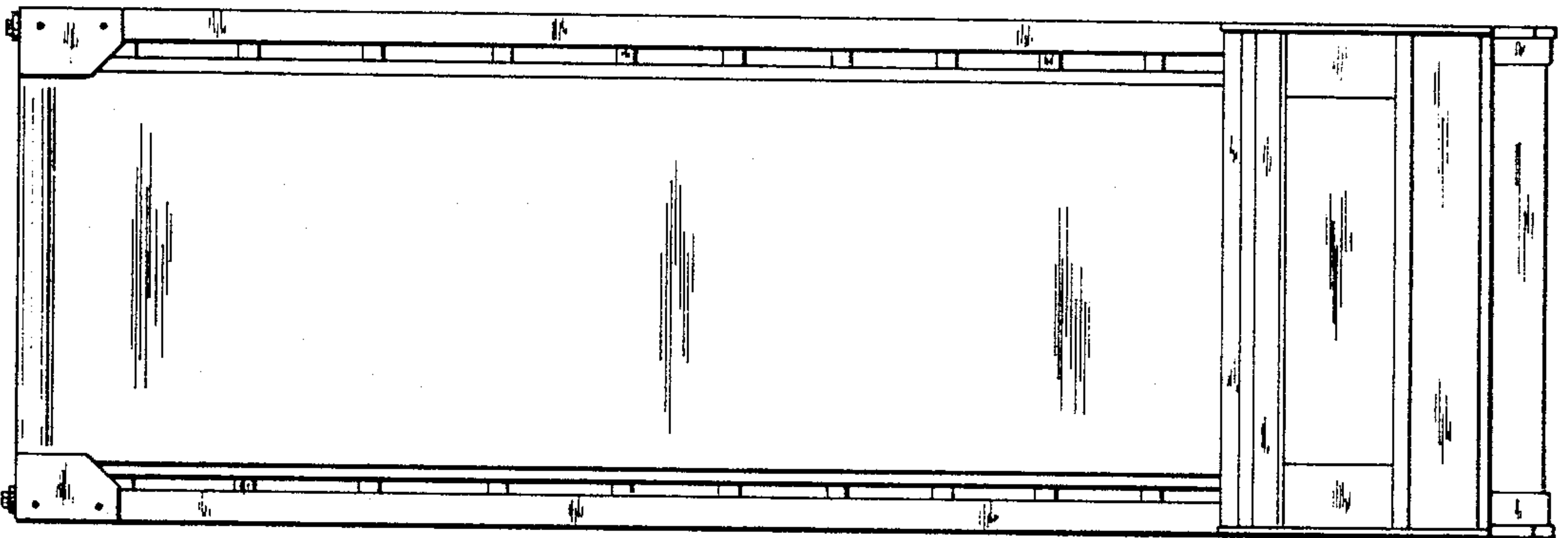


FIG. 6

