

[54] **TOY DUMP TRUCK**

[75] **Inventor: Kenneth R. Wilkes, East Aurora, N.Y.**

[73] **Assignee: The Quaker Oats Company, Chicago, Ill.**

[**] **Term: 14 Years**

[21] **Appl. No.: 693,761**

[22] **Filed: Jan. 23, 1985**

[52] **U.S. Cl. D21/134**

[58] **Field of Search D21/128, 133, 134, 135, D21/136, 139, 140; 446/465, 466, 432; D12/92, 93, 99, 13**

[56] **References Cited**

U.S. PATENT DOCUMENTS

D. 223,034 2/1972 Sharer D21/134

D. 227,283 6/1973 Ogasawara D21/134
D. 252,892 9/1979 Shigenori D21/134
D. 263,977 4/1982 Breneman D21/134
D. 264,106 4/1982 Crenstein D21/134
3,605,331 9/1971 Linstead D21/134

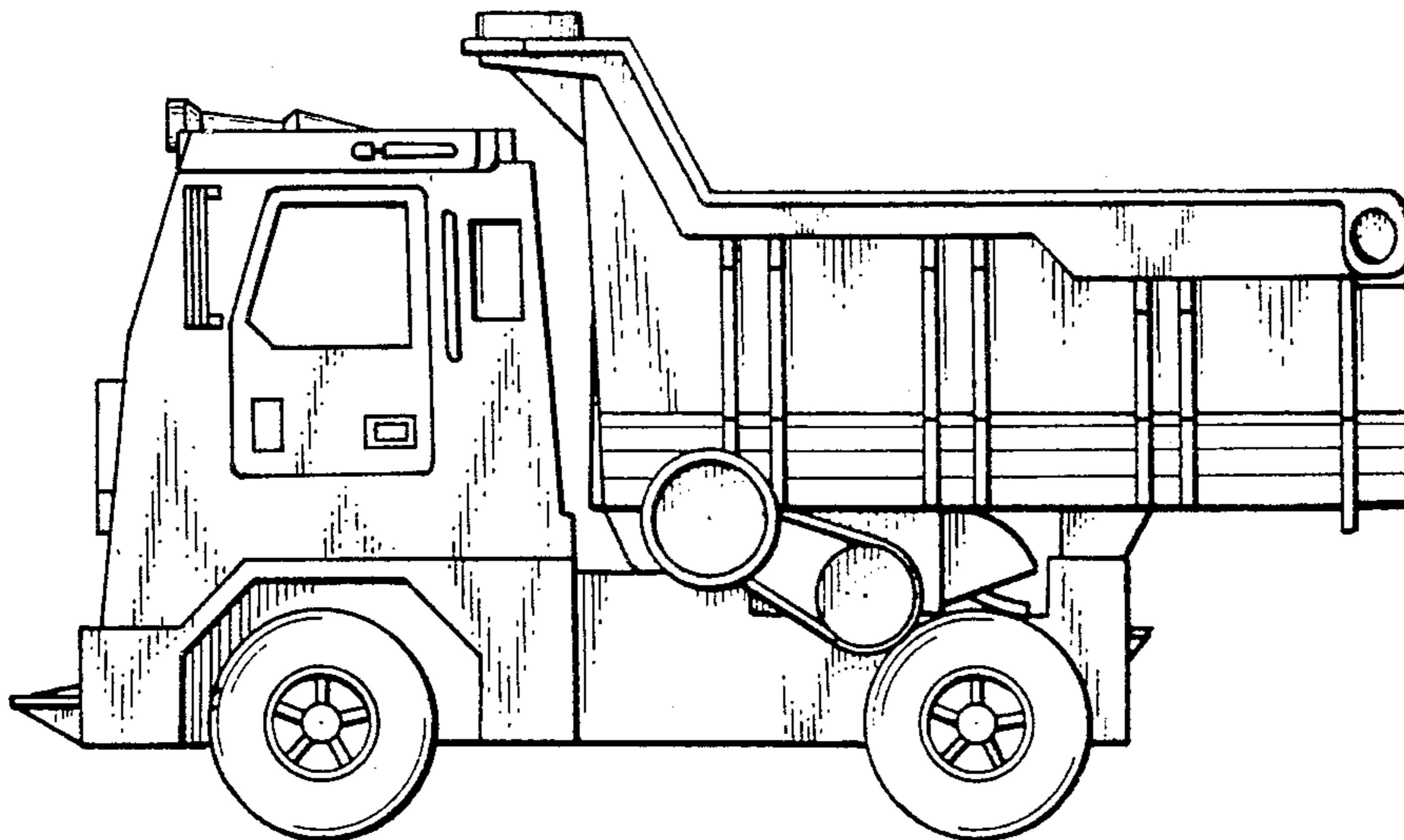
Primary Examiner—Charles A. Rademaker
Attorney, Agent, or Firm—Cumpston & Shaw

[57] **CLAIM**

The ornamental design for a toy dump truck, substantially as shown and described.

DESCRIPTION

FIG. 1 is a left-side elevational view of a toy dump truck showing my new design;
FIG. 2 is a top plan view thereof;
FIG. 3 is a right-side elevational view thereof;
FIG. 4 is a bottom plan view thereof;
FIG. 5 is a rear elevational view thereof; and
FIG. 6 is a front elevational view thereof.



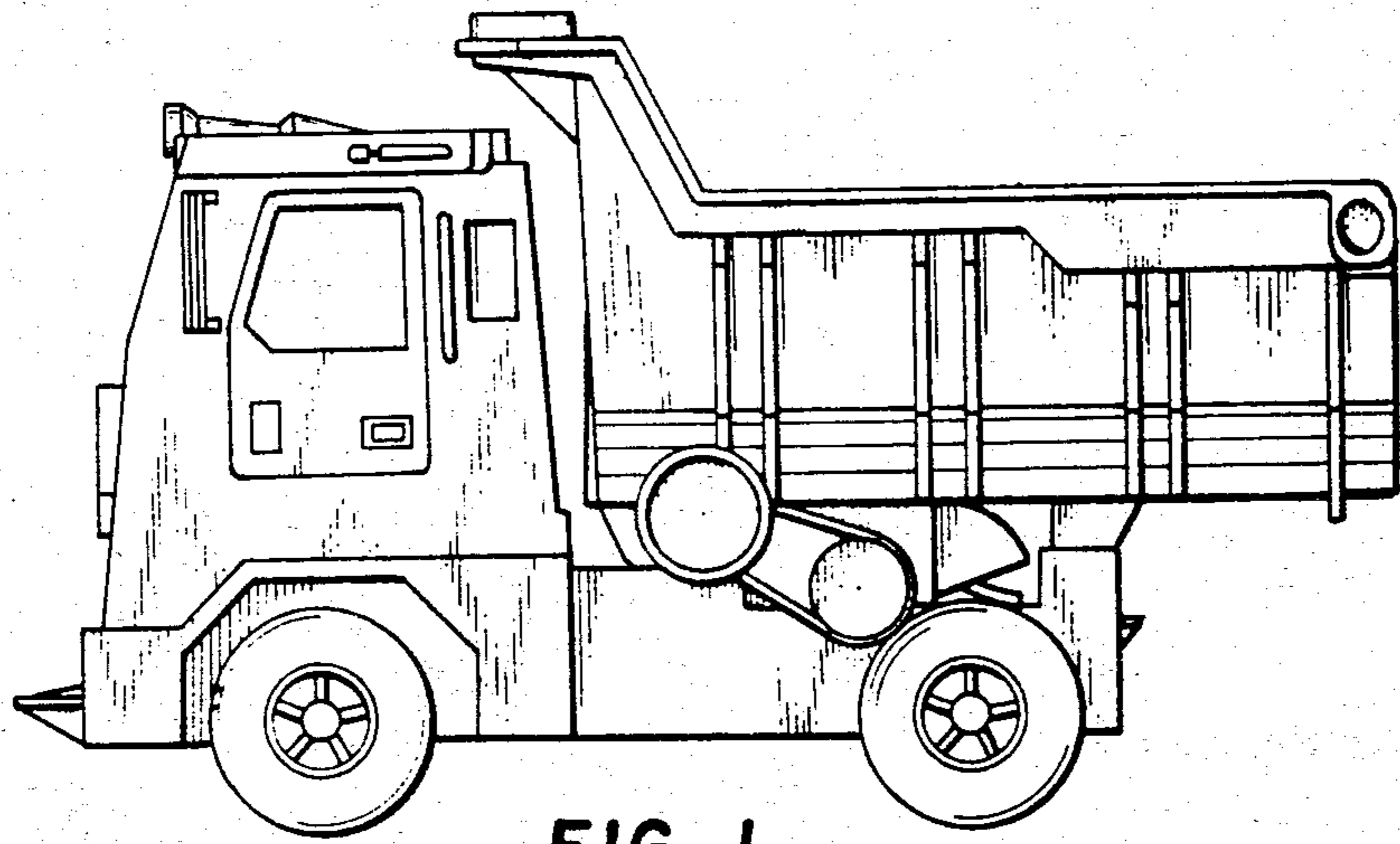


FIG. 1

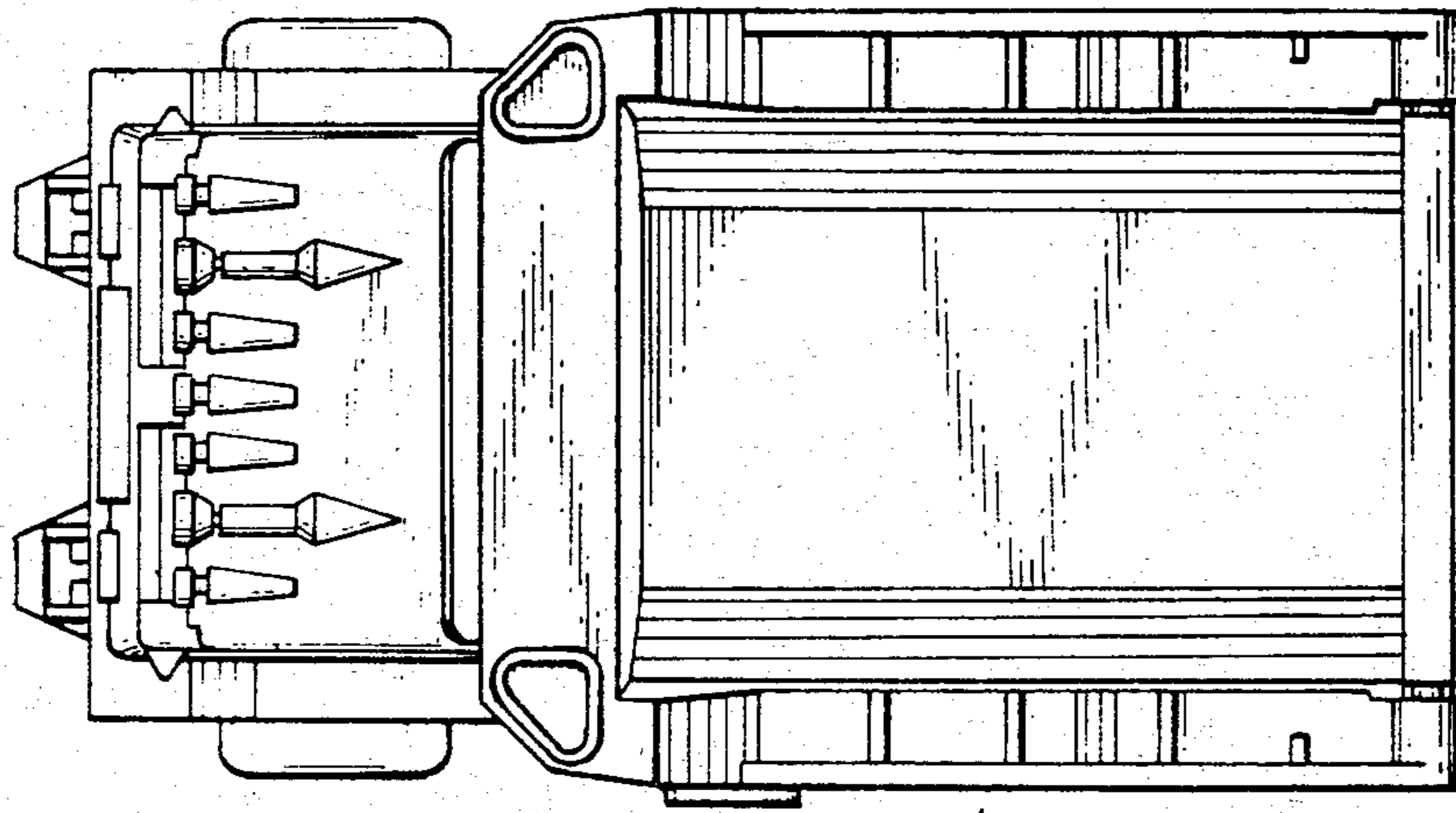


FIG. 2

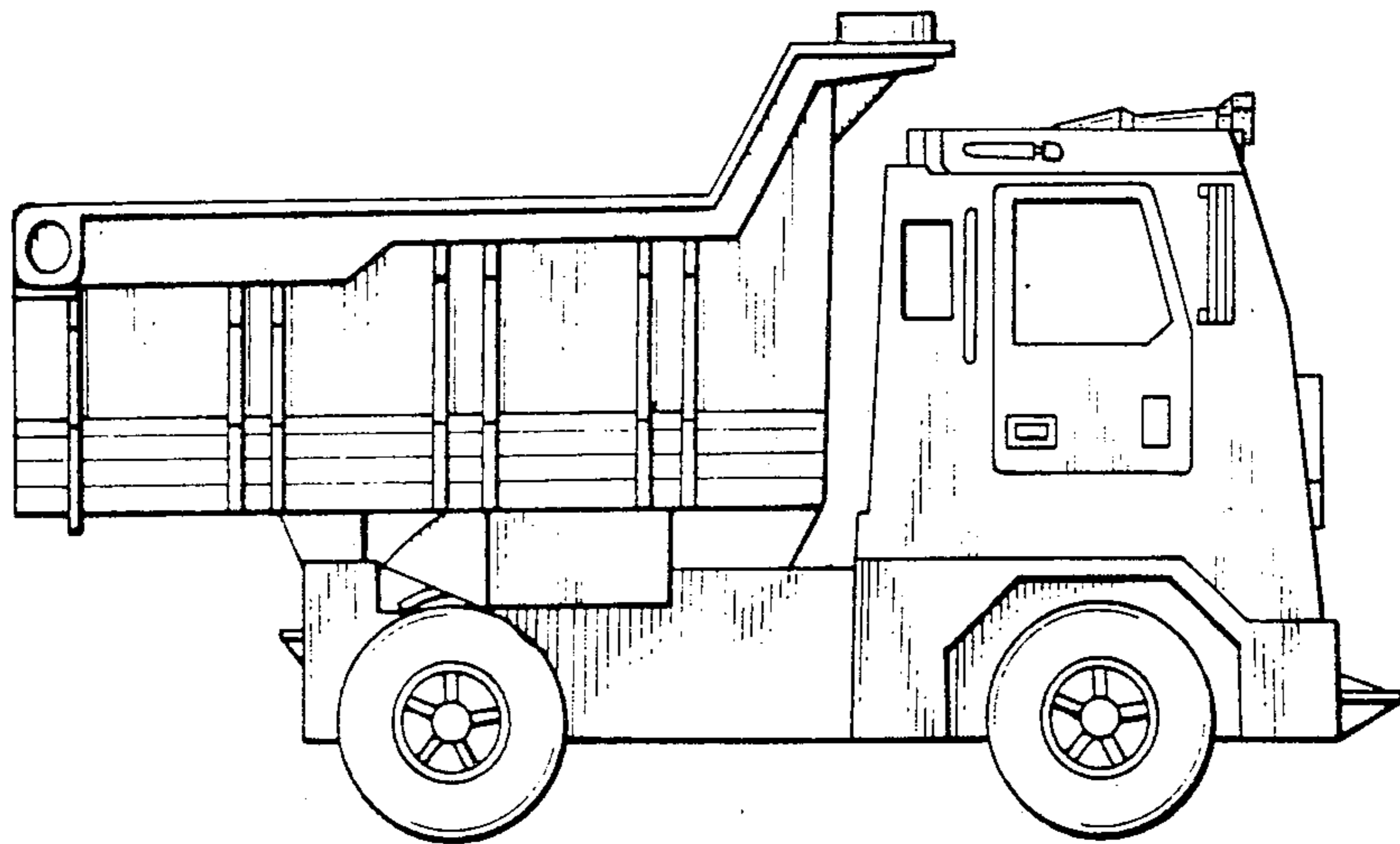


FIG. 3

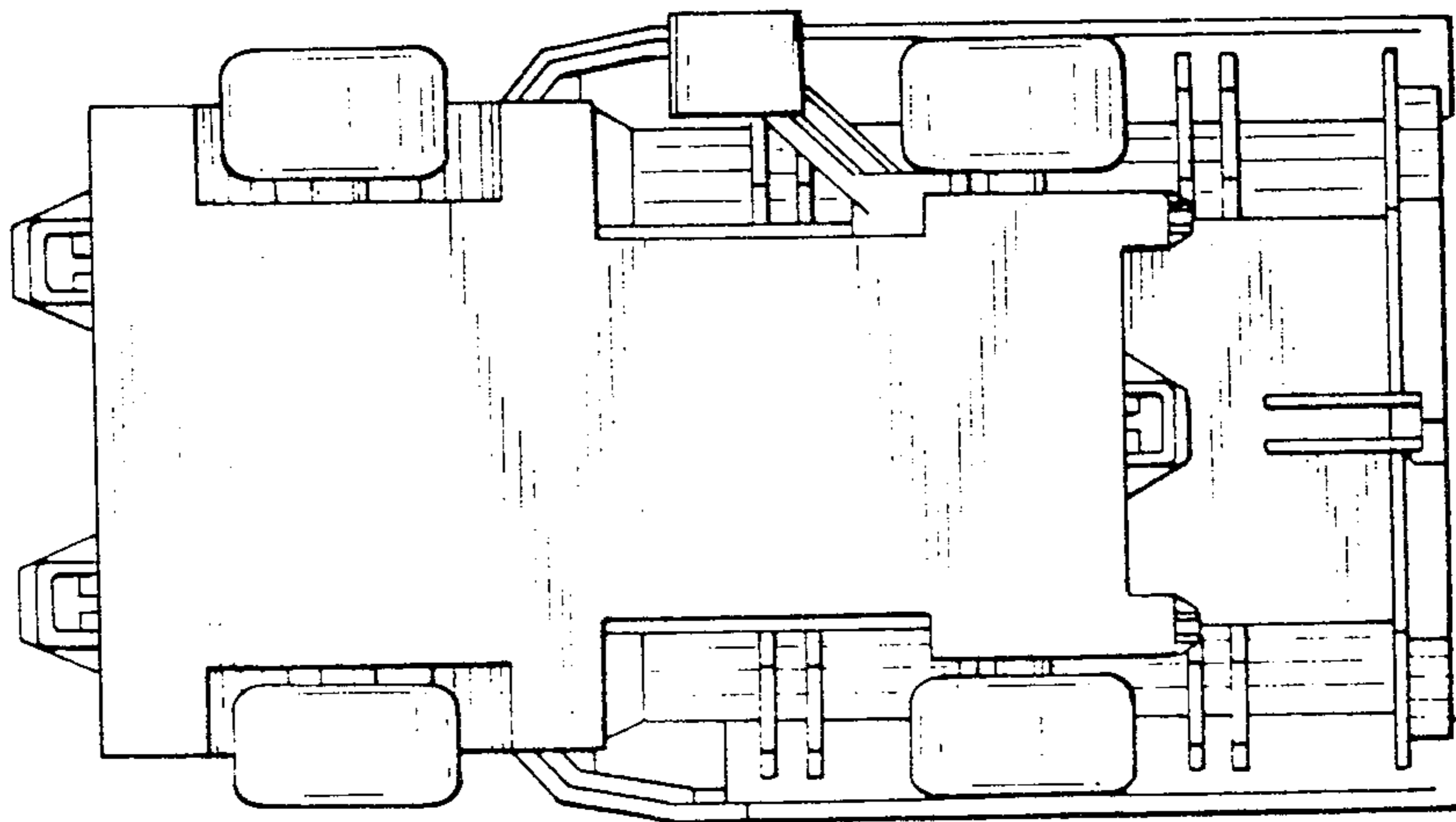


FIG. 4

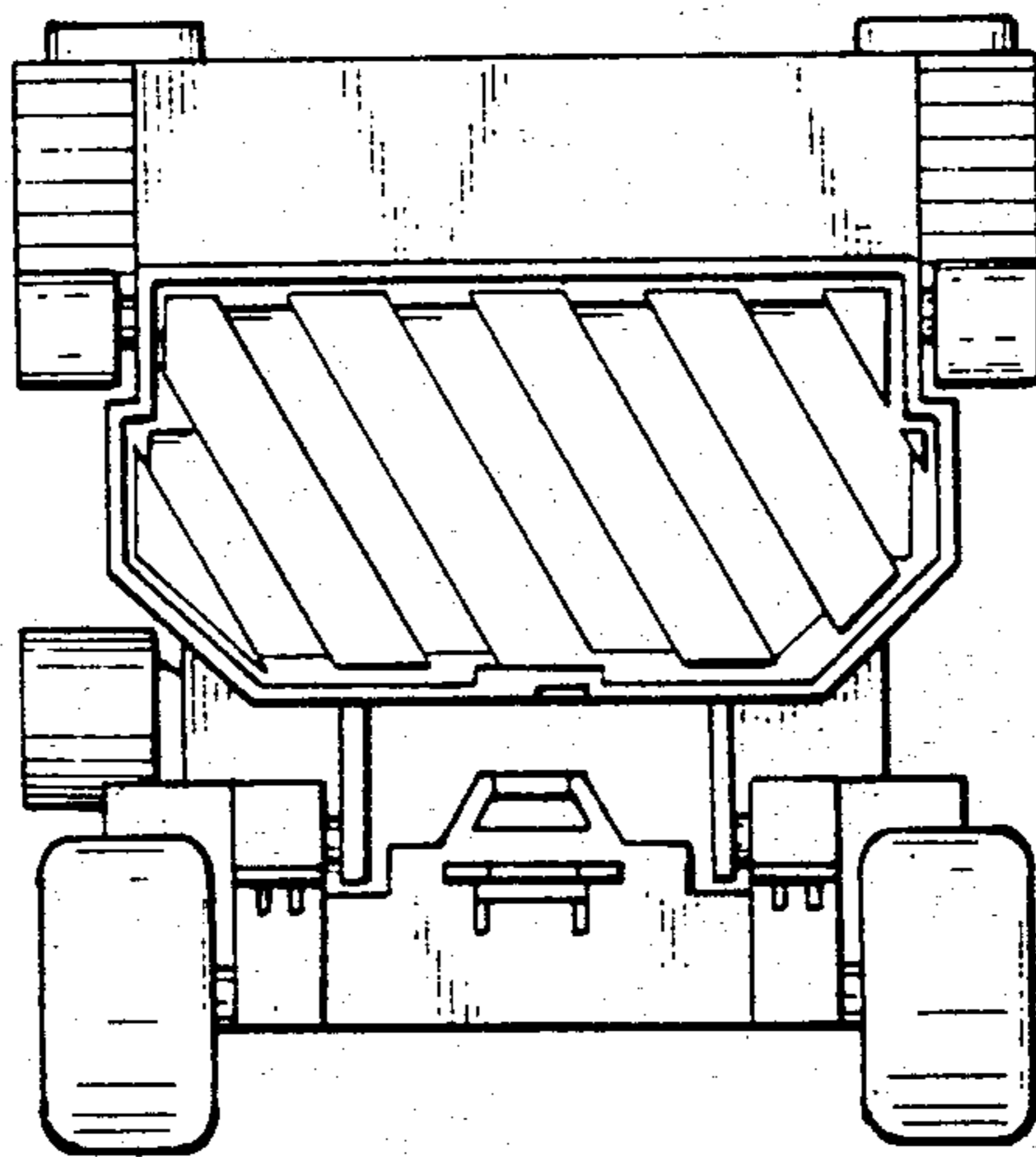


FIG. 5

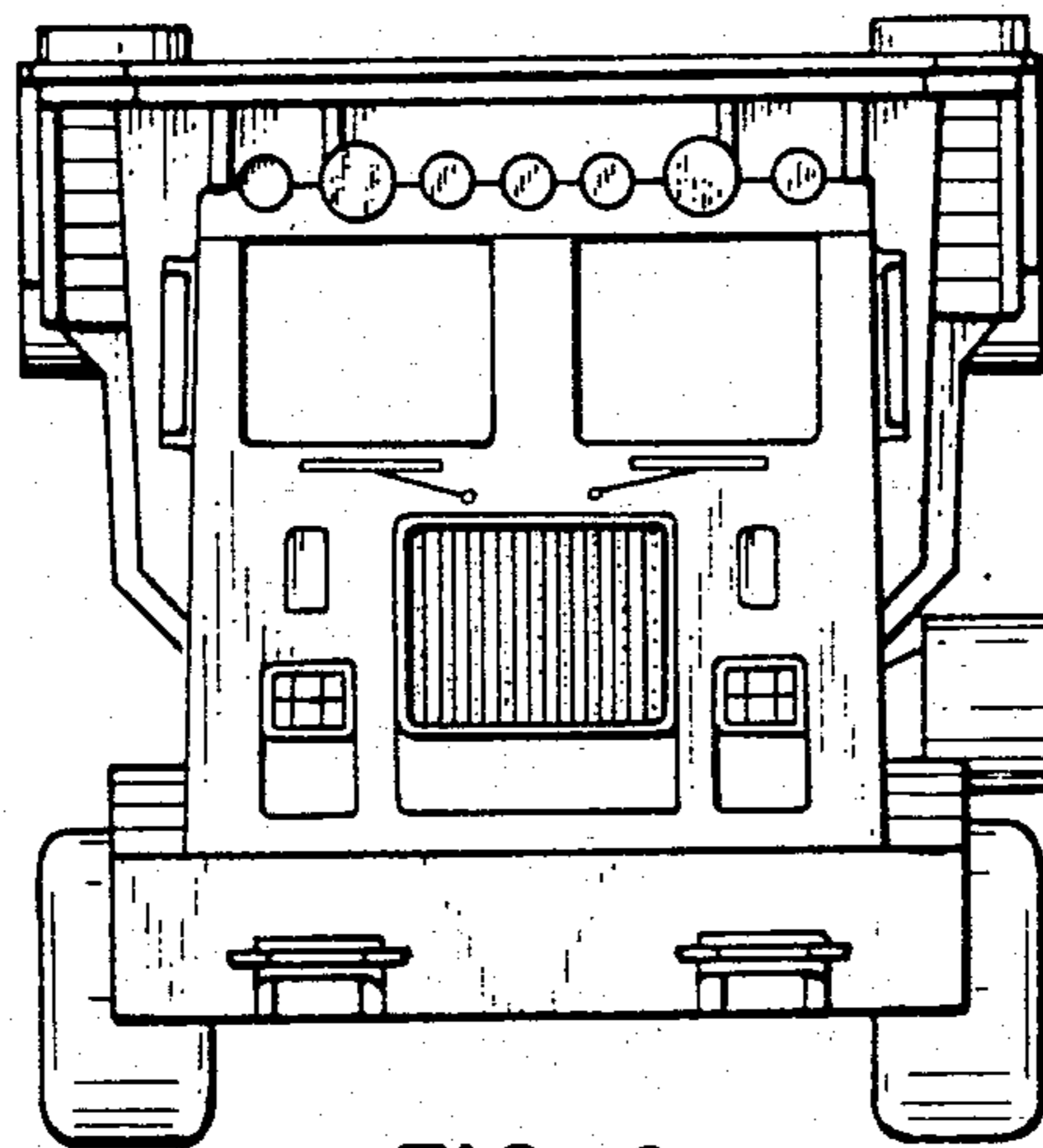


FIG. 6