

[54] **TOY TRUCK**

- [75] Inventor: **Karl D. Lerch**, East Aurora, N.Y.
- [73] Assignee: **The Quaker Oats Company**, Chicago, Ill.
- [\*\*] Term: **14 Years**
- [21] Appl. No.: **693,783**
- [22] Filed: **Jan. 23, 1985**
- [52] U.S. Cl. .... **D21/134**
- [58] Field of Search ..... **D21/128 133, 134, 135, D21/136, 139, 140; 446/465, 460, 432; D12/92, 93, 99, 13**

[56]

**References Cited**

**U.S. PATENT DOCUMENTS**

- D. 217,726 6/1970 Cohn ..... D21/134
- D. 239,553 4/1976 Breneman et al. .... D21/134
- D. 242,734 12/1976 Breneman et al. .... D21/134

**OTHER PUBLICATIONS**

Rock Products, 2-1975, p. 51, Euclid's R-50 Truck.  
Fao Schwarz, 1983-1984 Fall-Winter catalog, p. 13, item "S", Toy Dump Truck.

*Primary Examiner*—Charles A. Rademaker  
*Attorney, Agent, or Firm*—Cumpston & Shaw

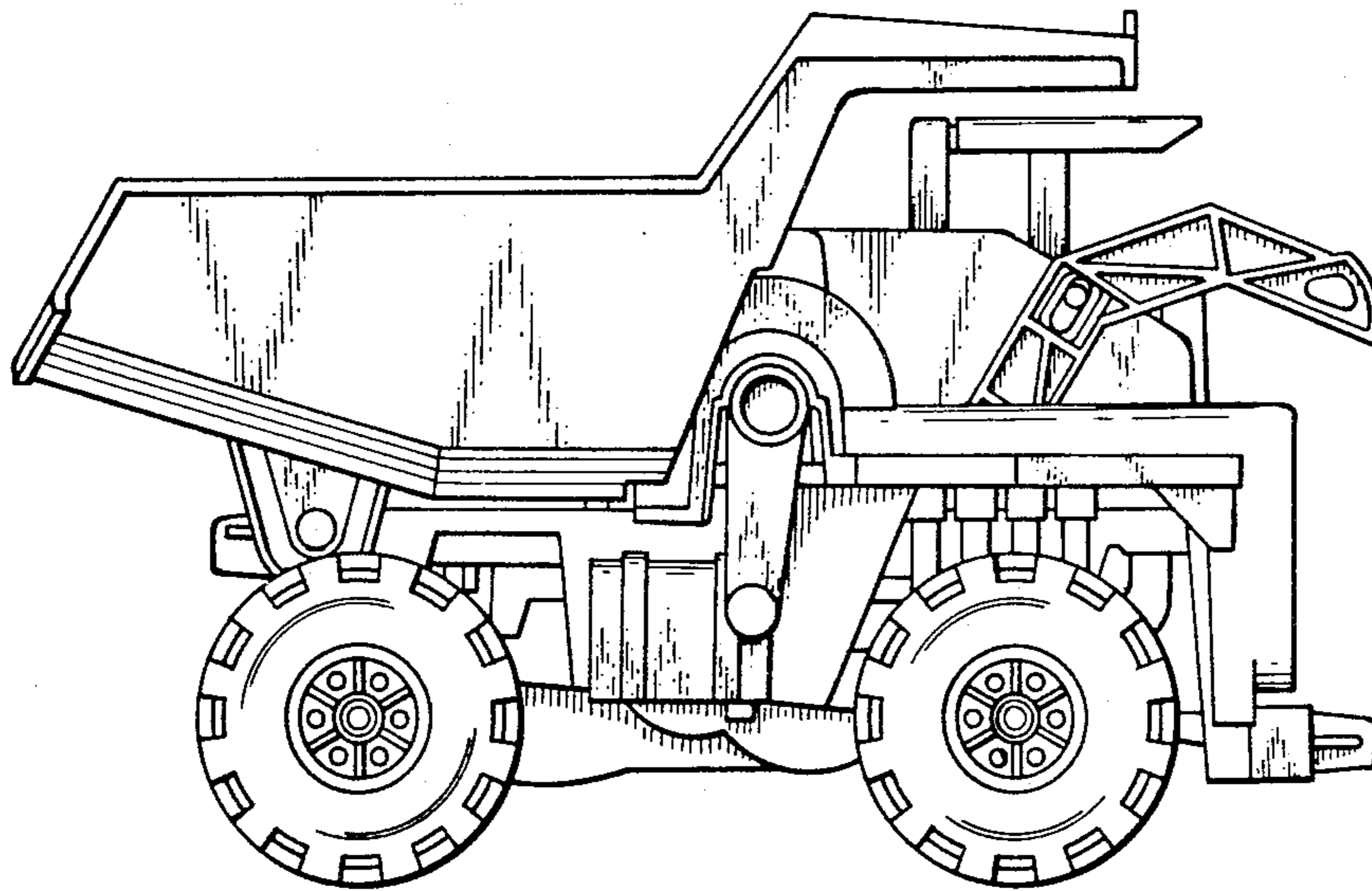
[57]

**CLAIM**

The ornamental design for a toy truck, substantially as shown and described.

**DESCRIPTION**

FIG. 1 is a right-side elevational view of a toy truck showing my new design;  
FIG. 2 is a front elevational view thereof;  
FIG. 3 is a rear elevational view thereof;  
FIG. 4 is a left-side elevational view thereof;  
FIG. 5 is a top plan view thereof; and  
FIG. 6 is a bottom plan view thereof.



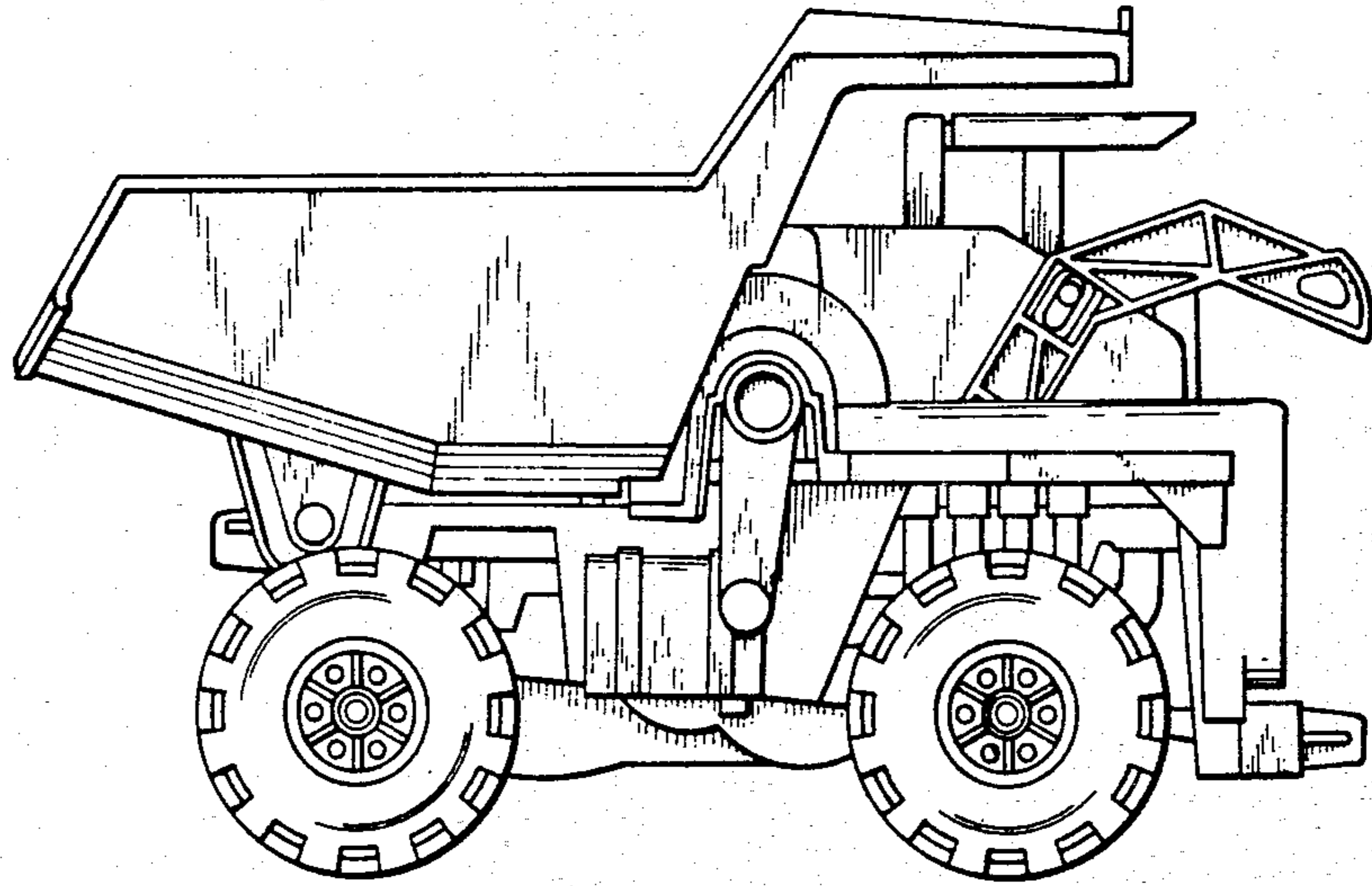


FIG. 1

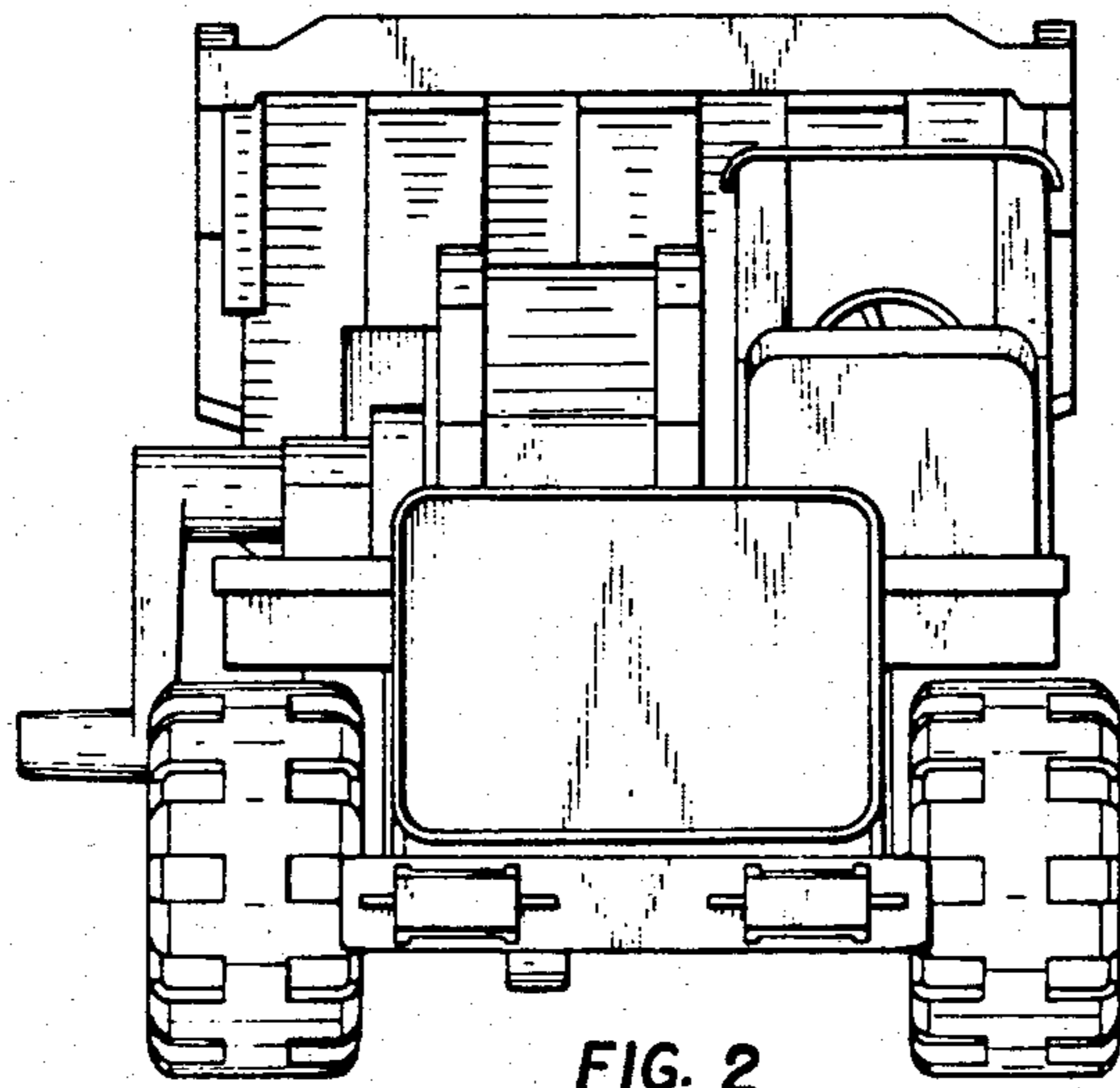


FIG. 2

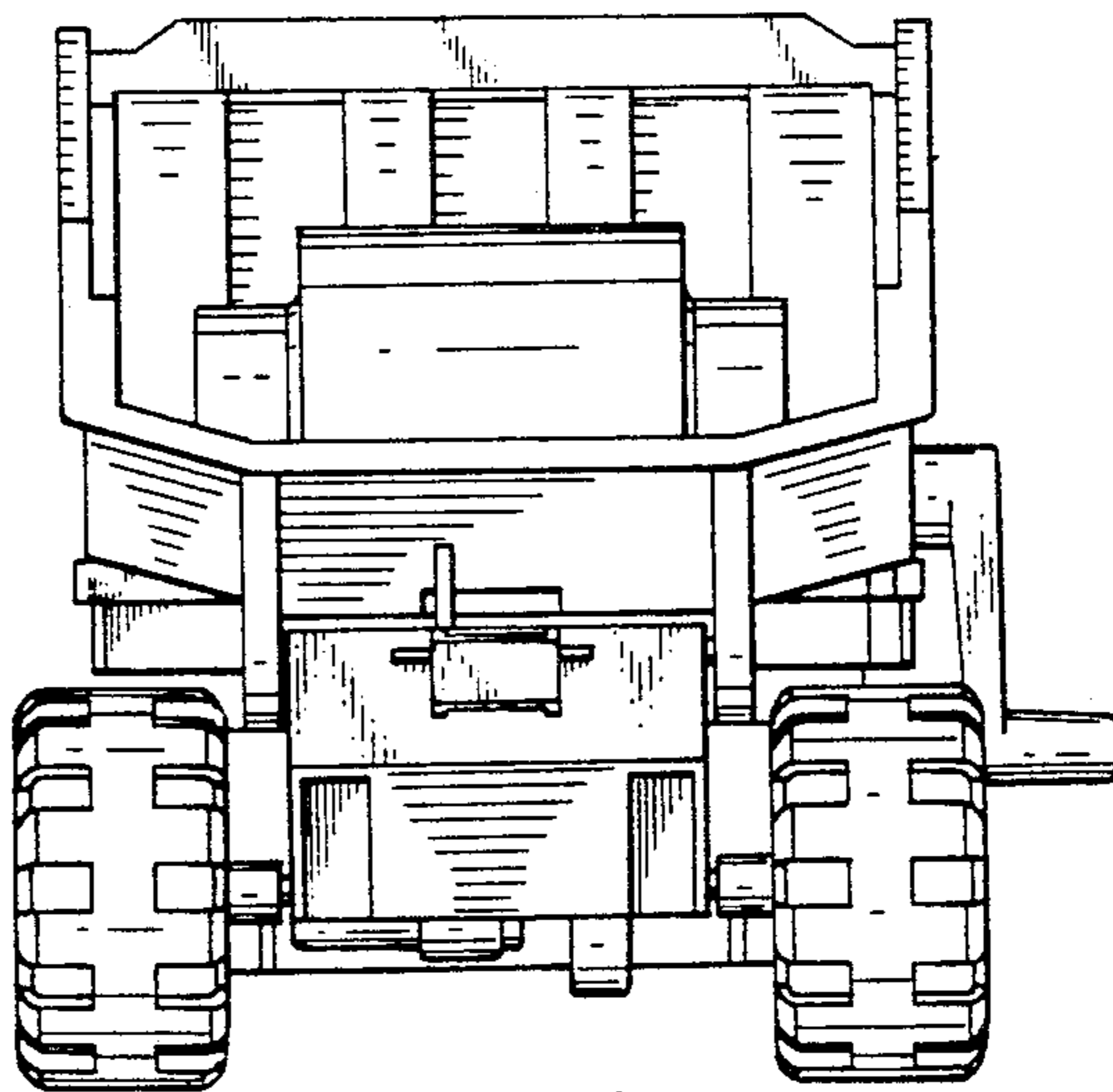


FIG. 3

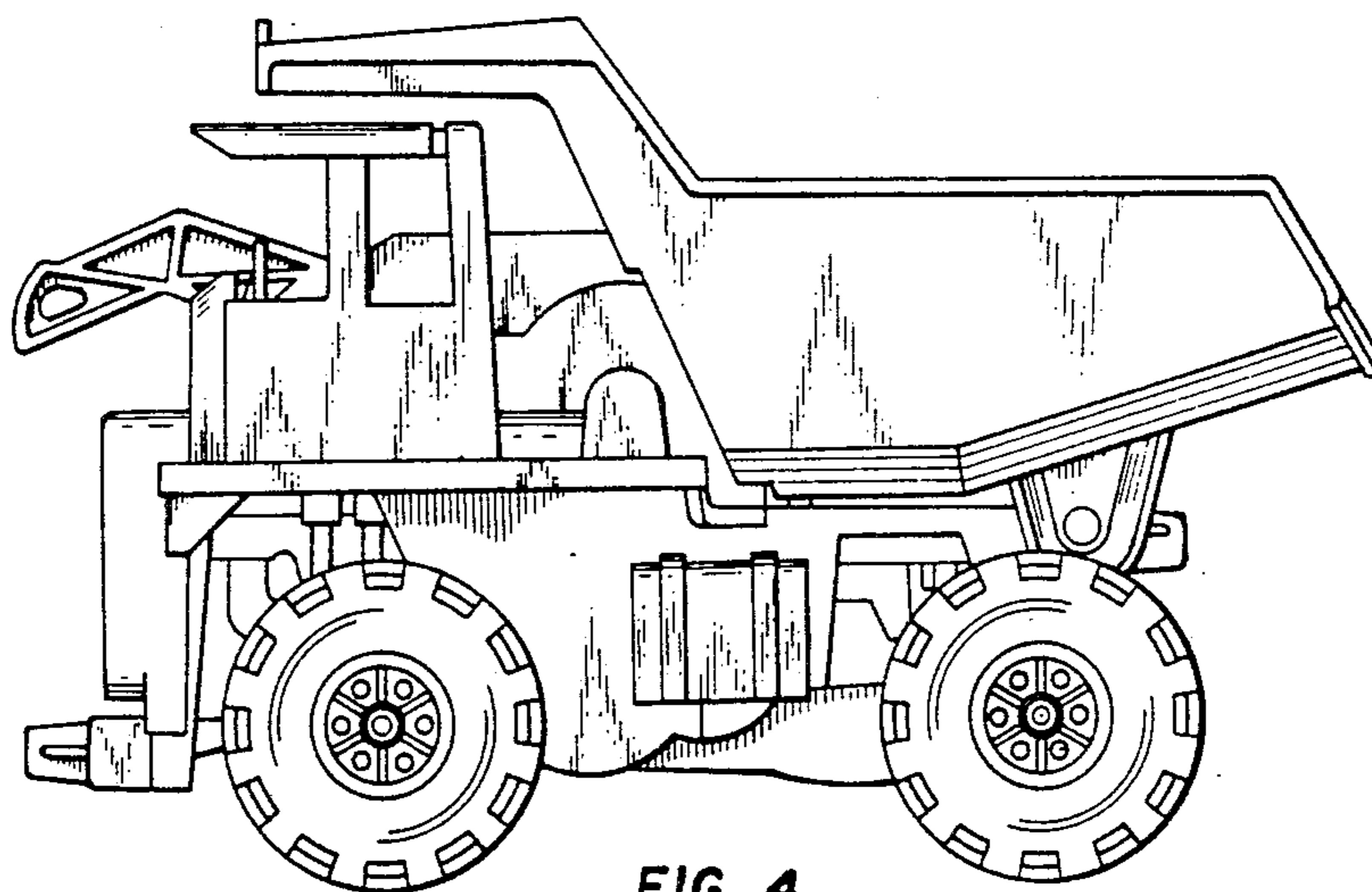


FIG. 4

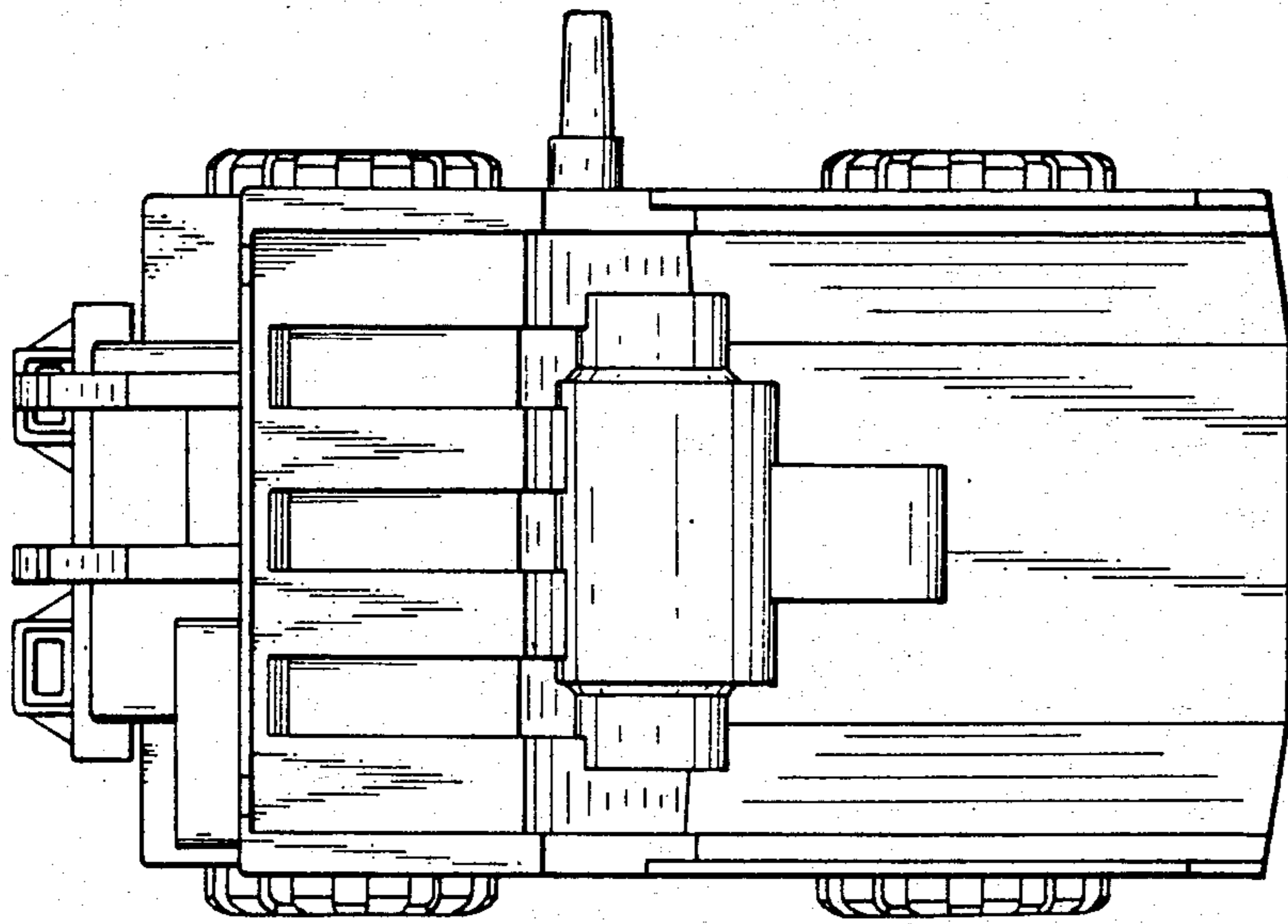


FIG. 5

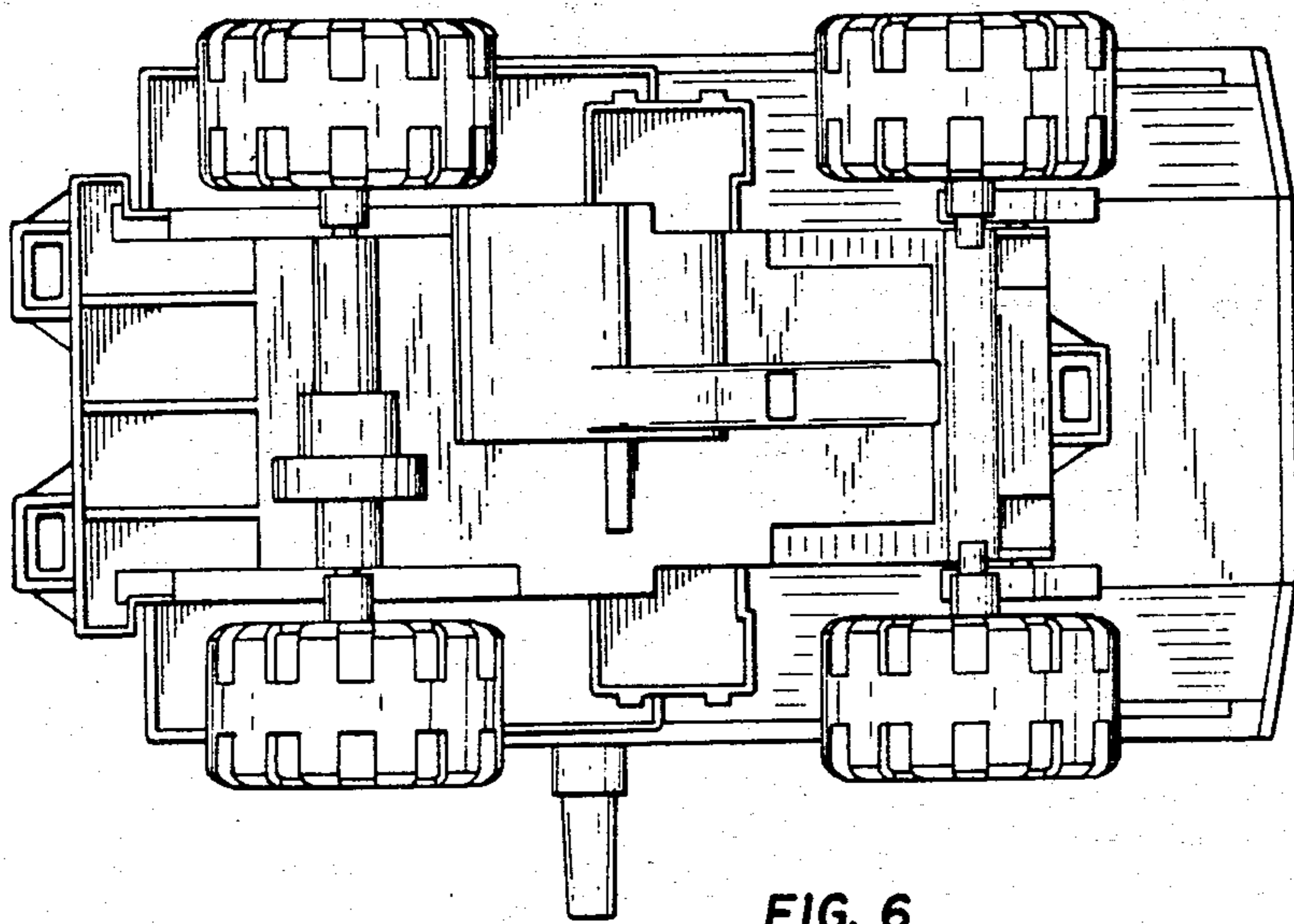


FIG. 6