

United States Patent [19]

Saito

[11] Patent Number: **Des. 289,300**

[45] Date of Patent: **** Apr. 14, 1987**

[54] **TONER CARTRIDGE**

[75] Inventor: **Takeshi Saito, Chiba, Japan**

[73] Assignee: **Ricoh Company Ltd., Japan**

[**] Term: **14 Years**

[21] Appl. No.: **648,714**

[22] Filed: **Sep. 7, 1984**

[30] **Foreign Application Priority Data**

Mar. 7, 1984 [JP] Japan 59-008643

[52] U.S. Cl. **D16/32**

[58] Field of Search D16/27, 32, 33, 37,
D16/38; D18/22; 222/DIG. 1; 355/3 DD

[56] **References Cited**

U.S. PATENT DOCUMENTS

D. 218,152 7/1970 Emerson D16/32

D. 218,805 9/1970 Stone D16/32
D. 253,810 1/1980 Stone D16/37
D. 272,251 1/1984 Yoshihama D16/32
D. 277,289 1/1985 Sabin D16/32
D. 278,539 4/1985 Josephson et al. D16/32

Primary Examiner—Louis S. Zarfes
Attorney, Agent, or Firm—Guy W. Shoup

[57] **CLAIM**

The ornamental design for a toner cartridge, as shown.

DESCRIPTION

FIG. 1 is a perspective view of a toner cartridge showing my new design;
FIG. 2 is a front elevational view;
FIG. 3 is a top plan view;
FIG. 4 is a right side elevational view;
FIG. 5 is a left side elevational view;
FIG. 6 is a rear elevational view; and
FIG. 7 is a bottom plan view.

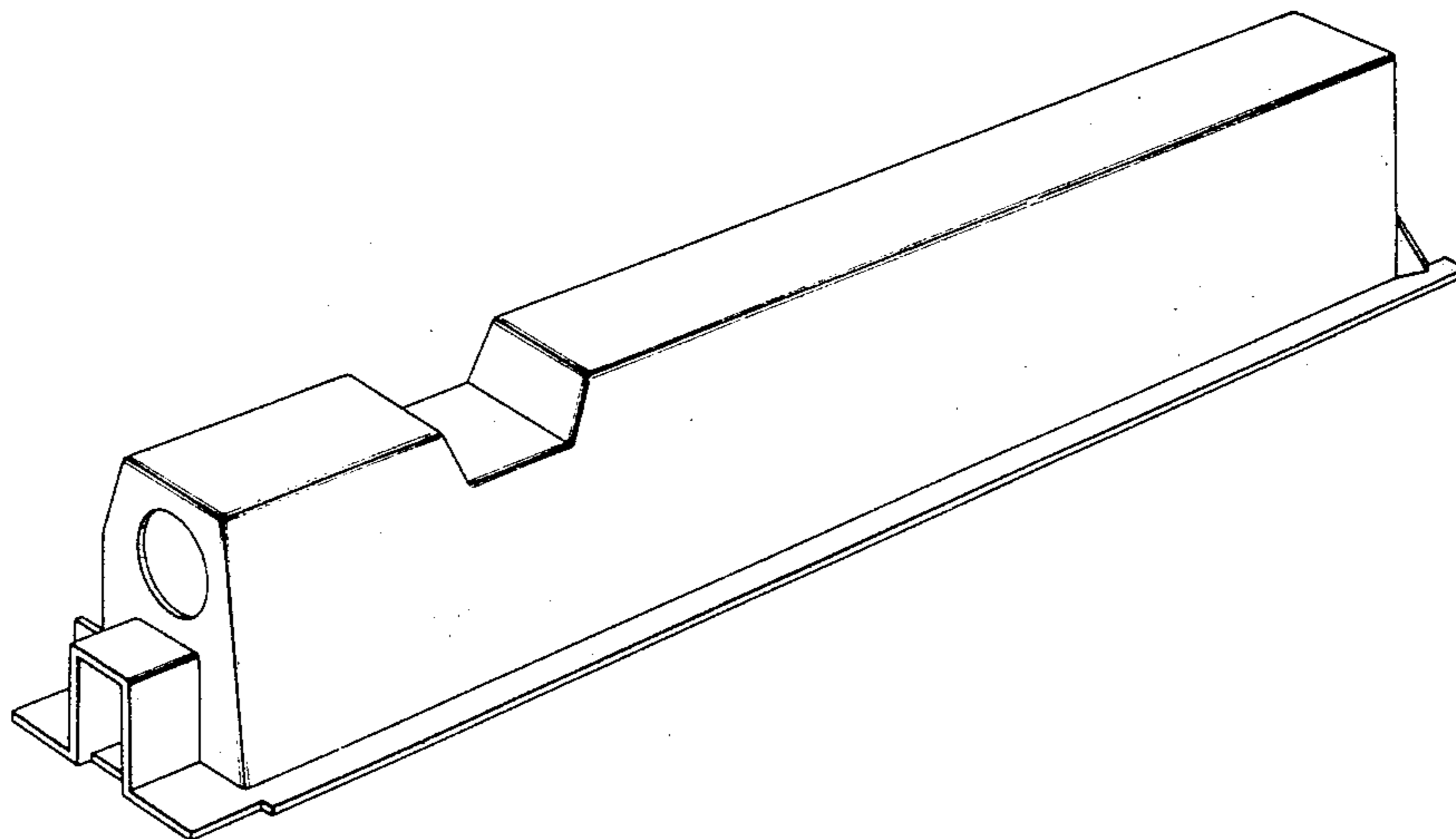


FIG. 1

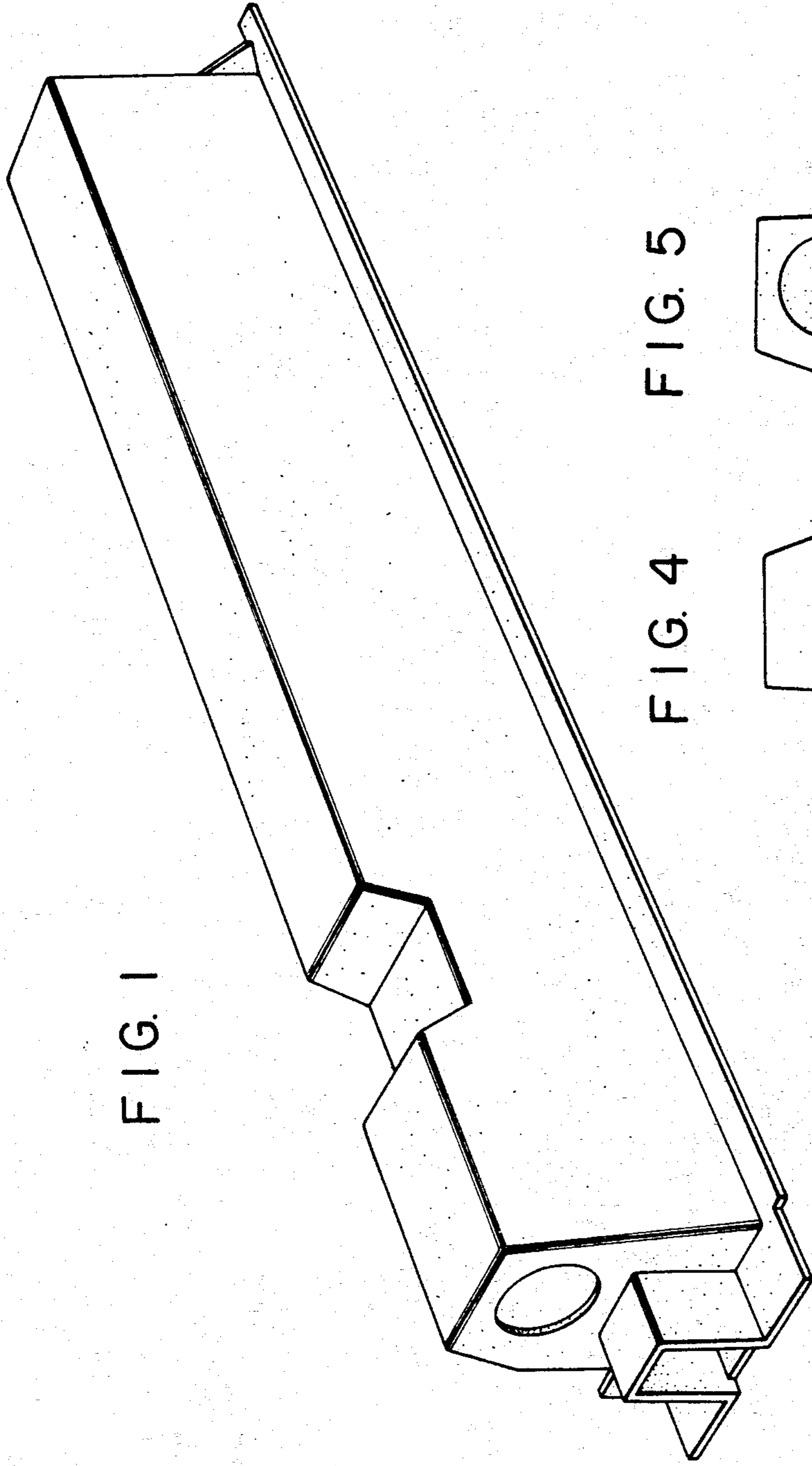


FIG. 4

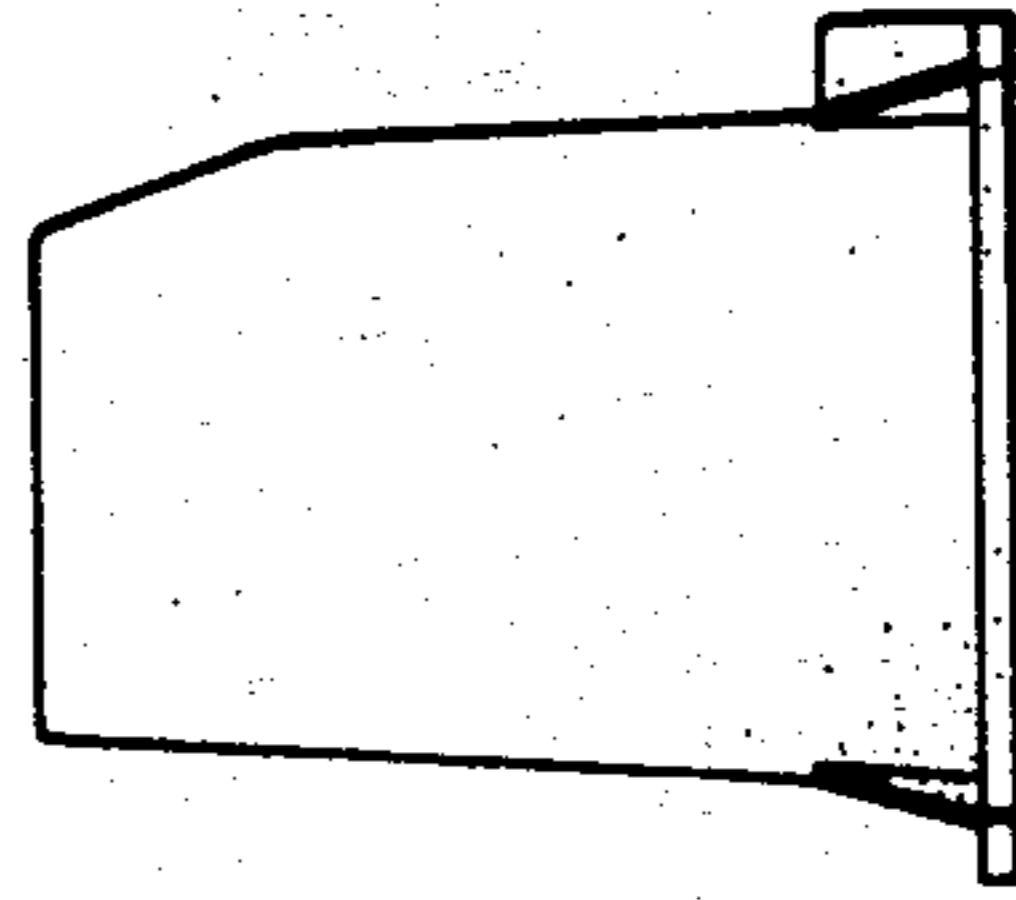


FIG. 5

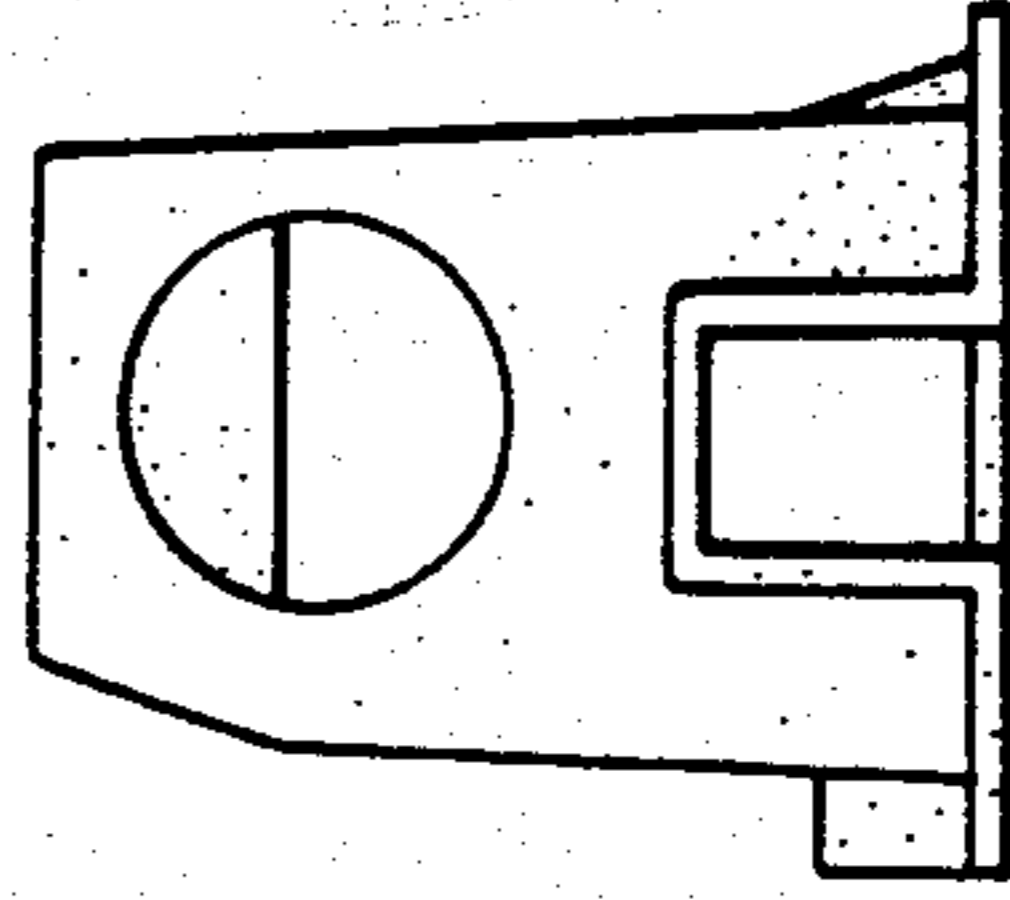


FIG. 2

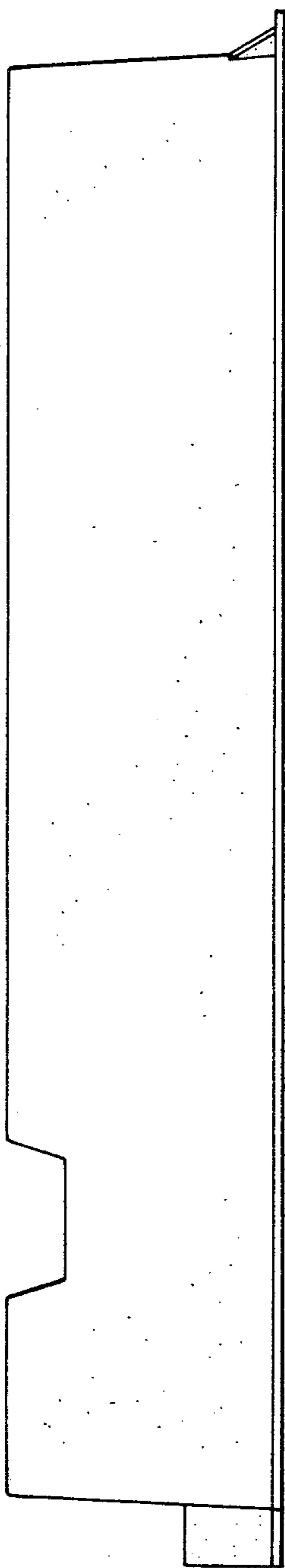


FIG. 3

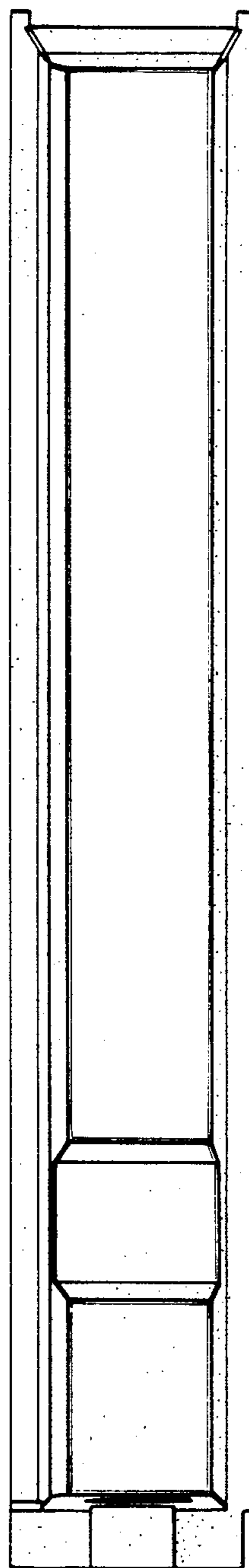


FIG. 6

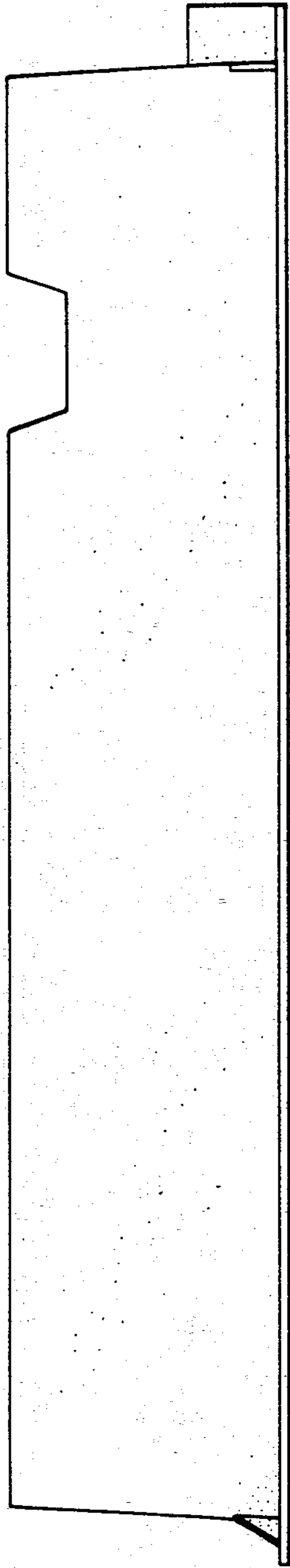


FIG. 7

