

[54] POWER FEED FOR A MACHINE TOOL OR SIMILAR ARTICLE

[76] Inventor: H. C. Wang, 11-5, Ta Nan Lane, San Feng Road, Feng Yuan, Taiwan

[\*\*] Term: 14 Years

[21] Appl. No.: 630,579

[22] Filed: Jul. 10, 1984

[52] U.S. Cl. .... D15/149; D15/131; D15/138

[58] Field of Search ..... D15/131, 148, 149, 132; 82/28 R, 28 A, 29.1, 31; 74/491, 492, 10 R, 813 R; 51/230, 232, 166 T, 166 MH, DIG. 7

[56] References Cited

U.S. PATENT DOCUMENTS

D. 205,313	7/1966	Moseley	.....	D15/131
3,871,244	3/1975	Gressard et al.	.....	74/491
4,266,377	5/1981	Kikuchi et al.	.....	82/31
4,295,398	10/1981	Sugata et al.	.....	82/31

FOREIGN PATENT DOCUMENTS

0027756 3/1981 Japan ..... 409/156

OTHER PUBLICATIONS

Servo Products cat. D, p. 1, "Servo Feed".

Primary Examiner—B. J. Bullock

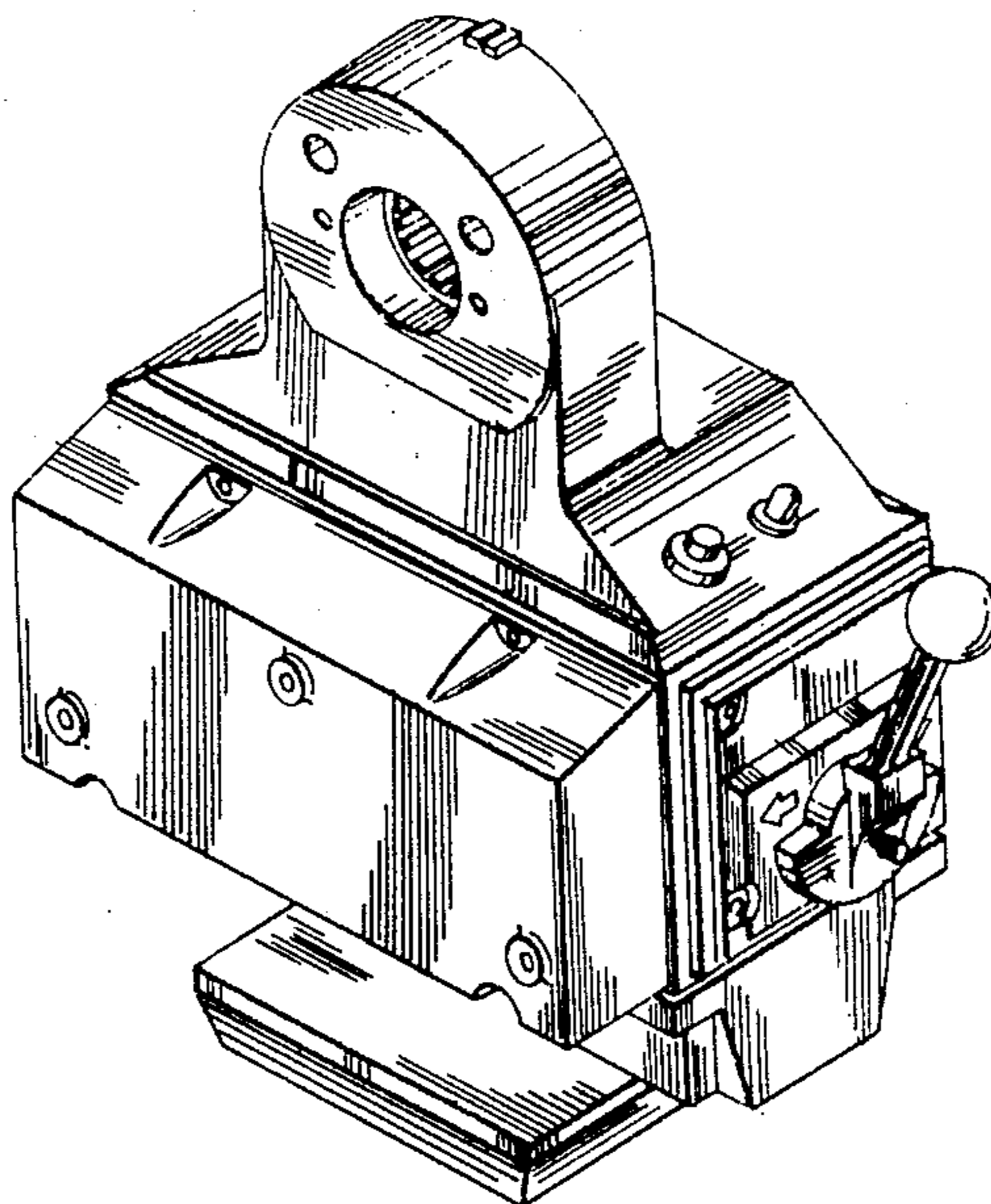
Attorney, Agent, or Firm—Browdy and Neimark

[57] CLAIM

The ornamental design for a power feed for a machine tool or similar article, as shown.

DESCRIPTION

FIG. 1 is a left side elevational of a power feed for a machine tool or similar article, showing my new design; FIG. 2 is a front elevational view thereof; FIG. 3 is a right side elevational view thereof; FIG. 4 is a bottom plan view thereof; FIG. 5 is a rear elevational view thereof; FIG. 6 is a top plan view thereof; and FIG. 7 is a perspective view thereof.



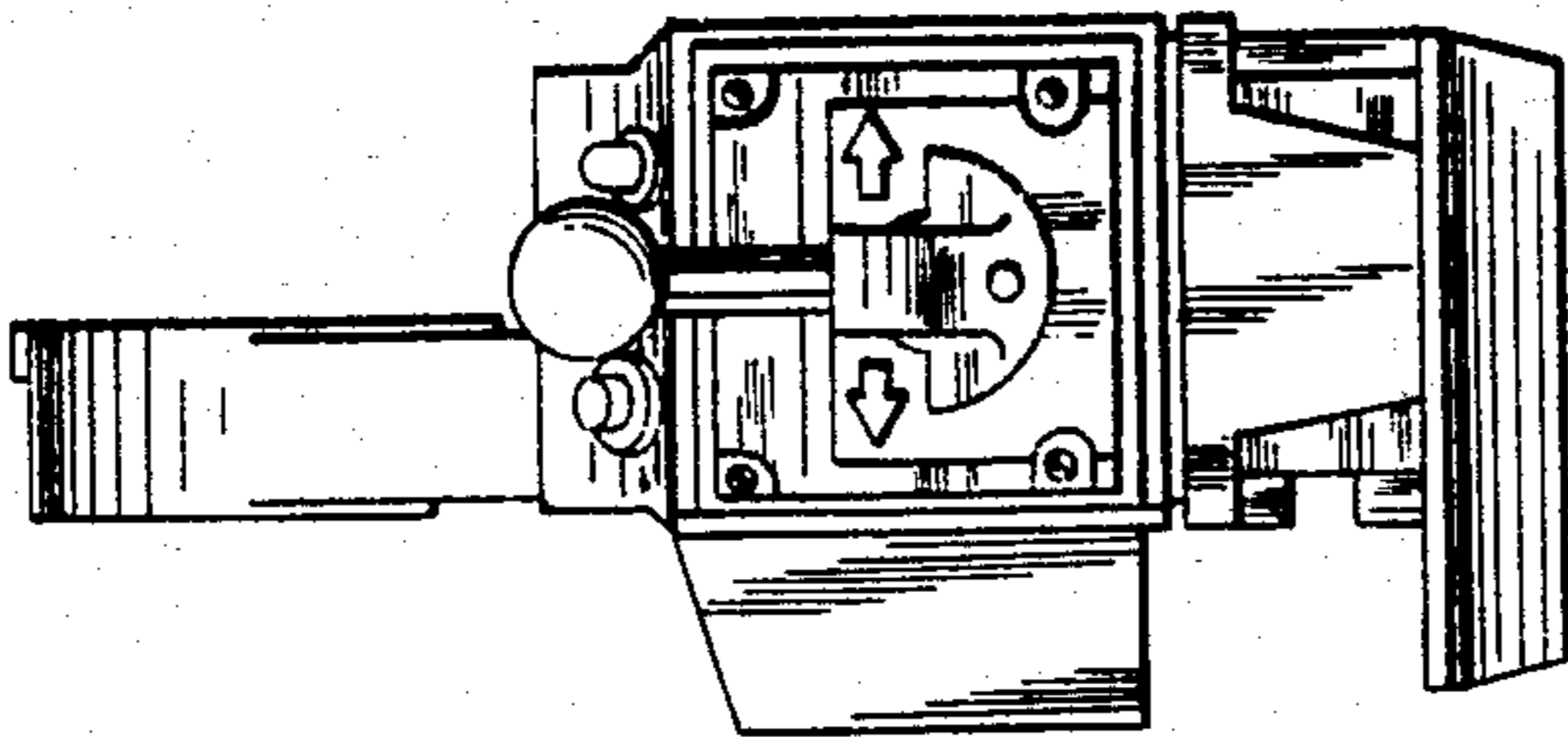


FIG. 3

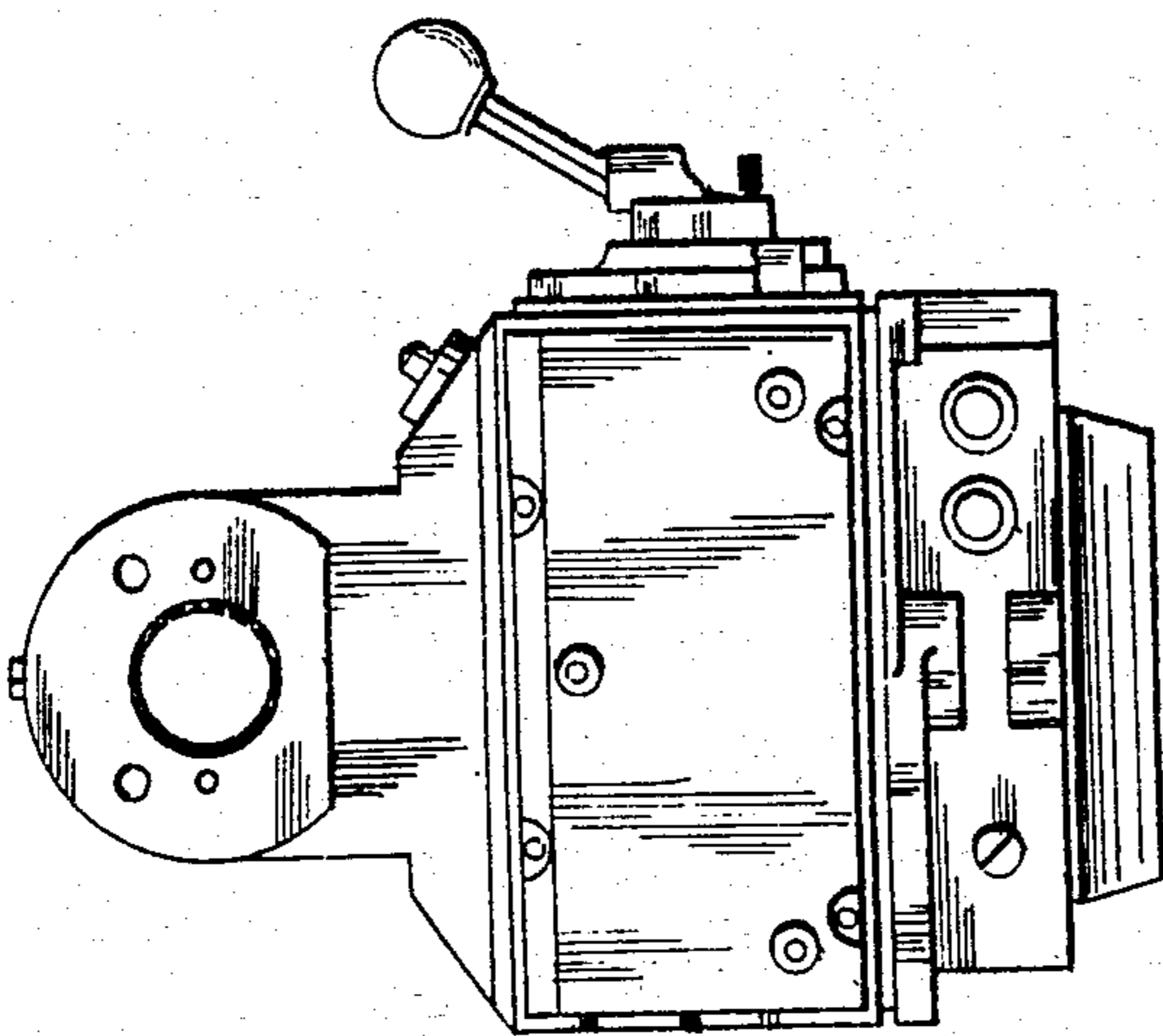


FIG. 2

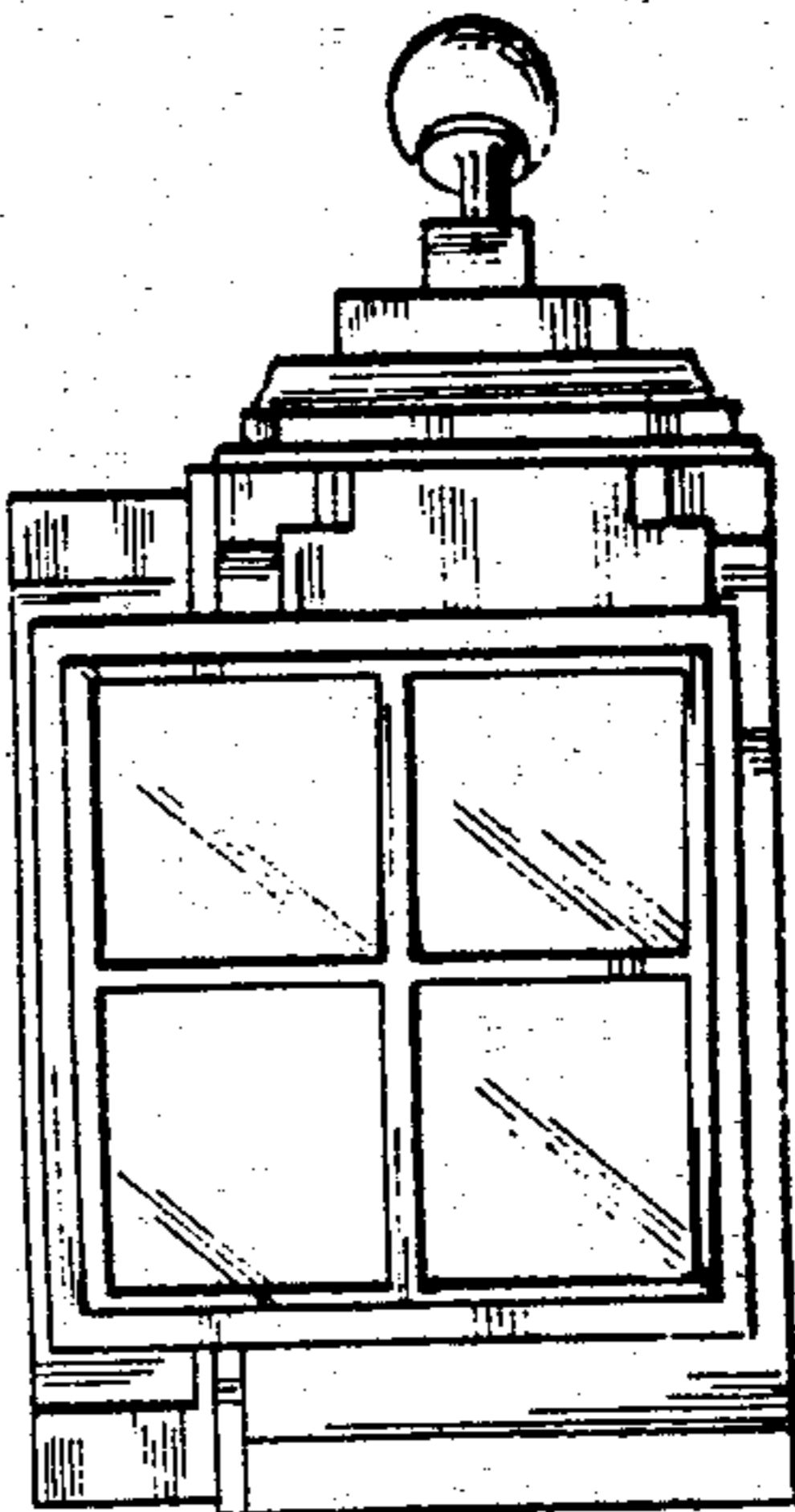


FIG. 4

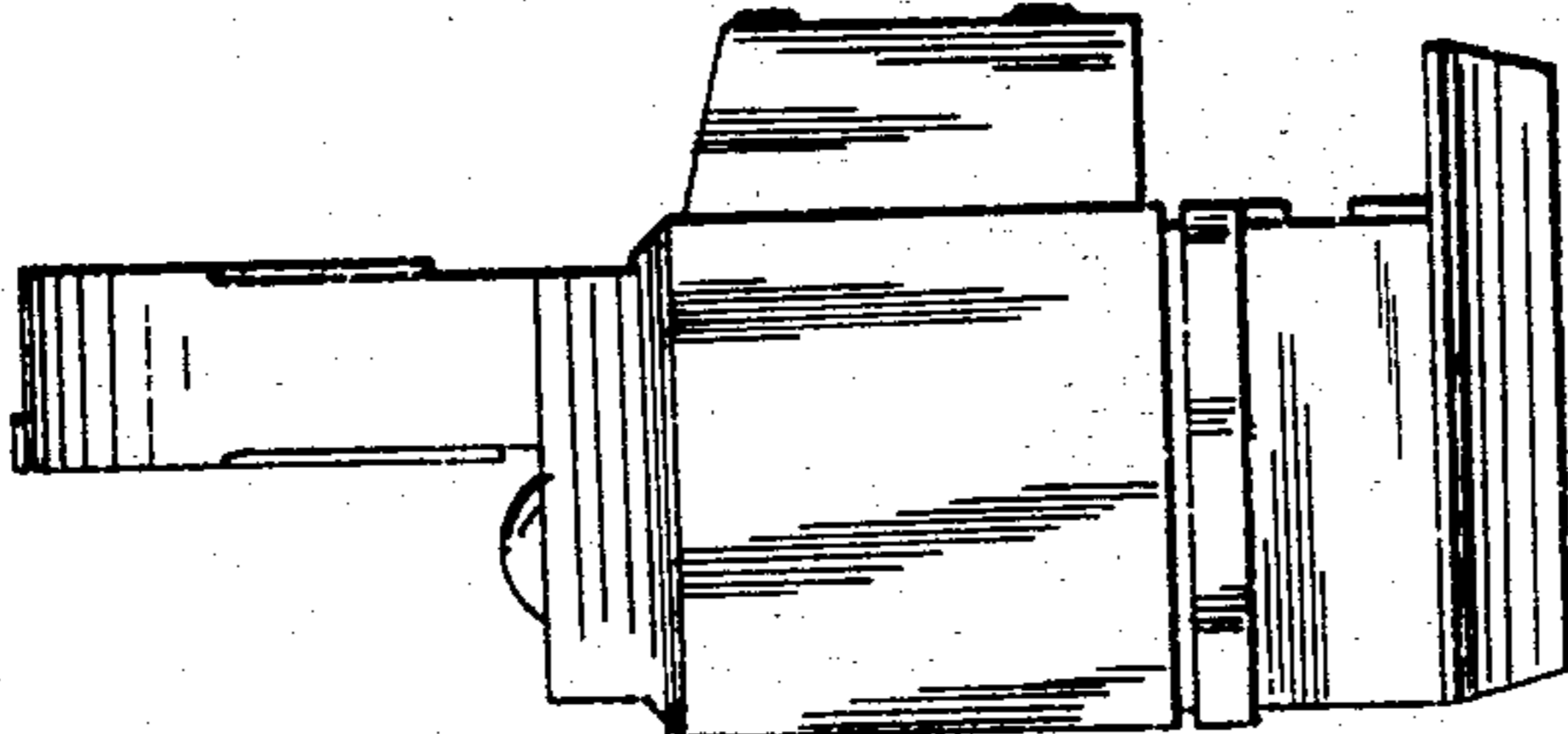


FIG. 1

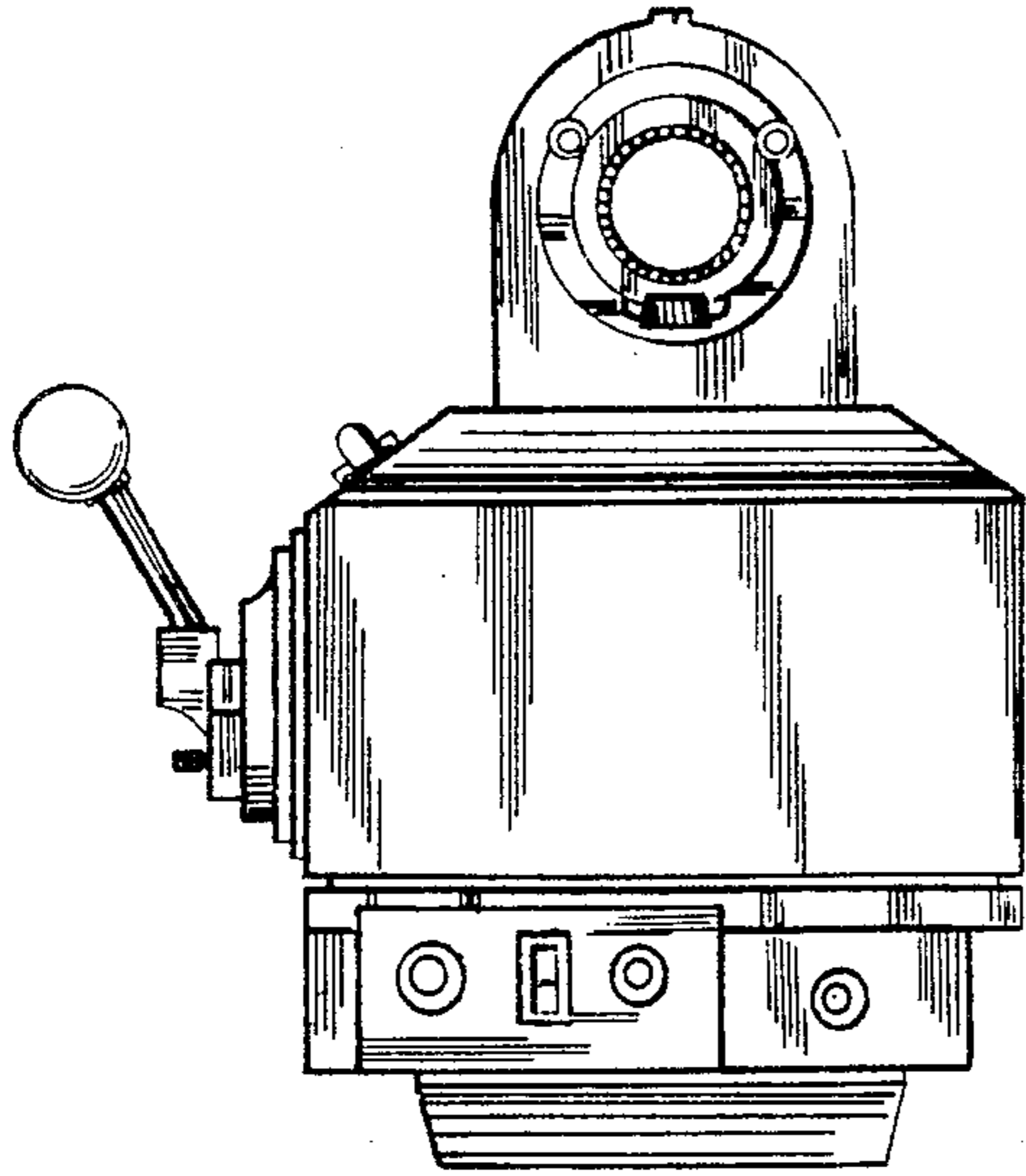


FIG. 5

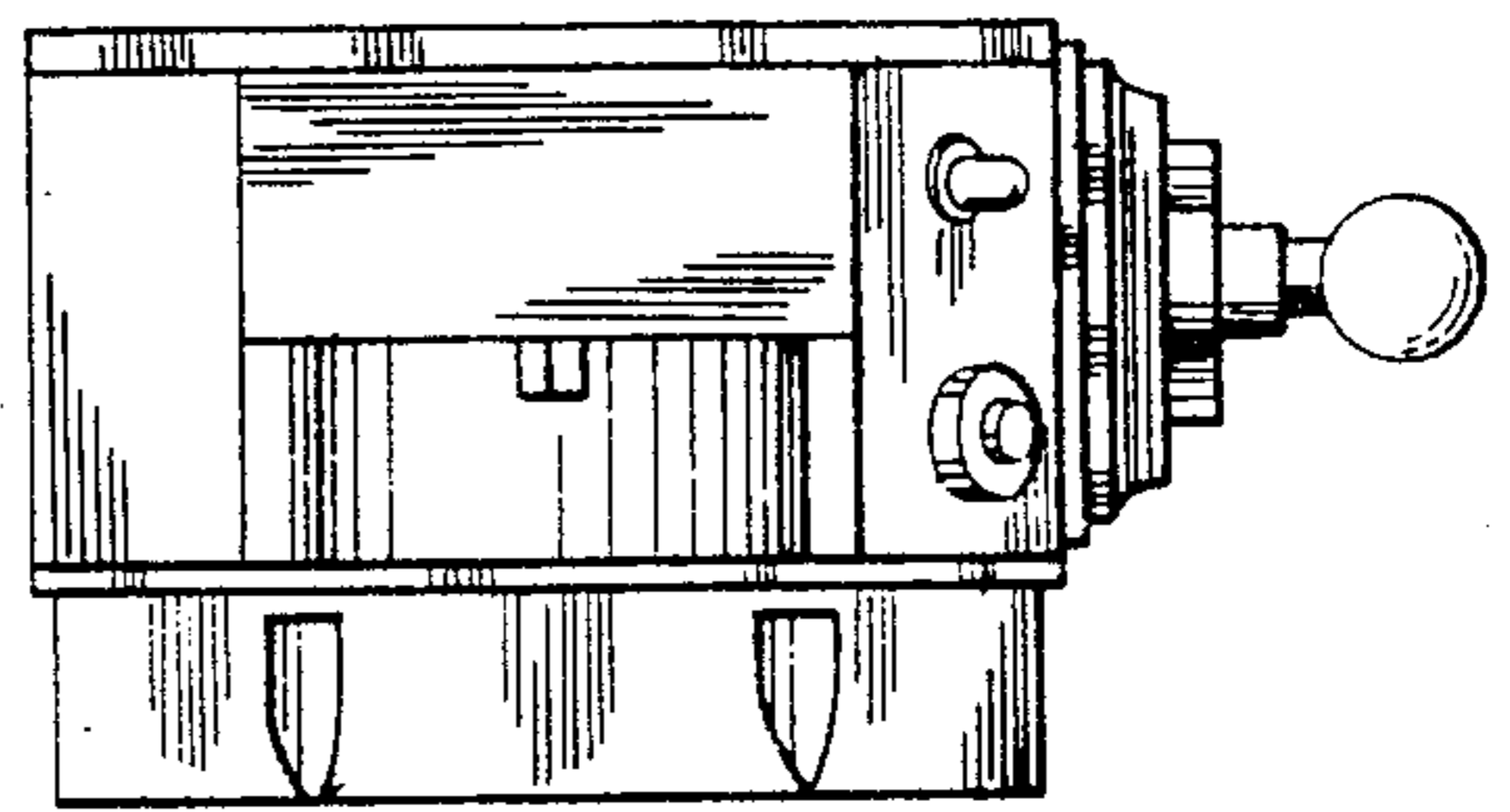


FIG. 6

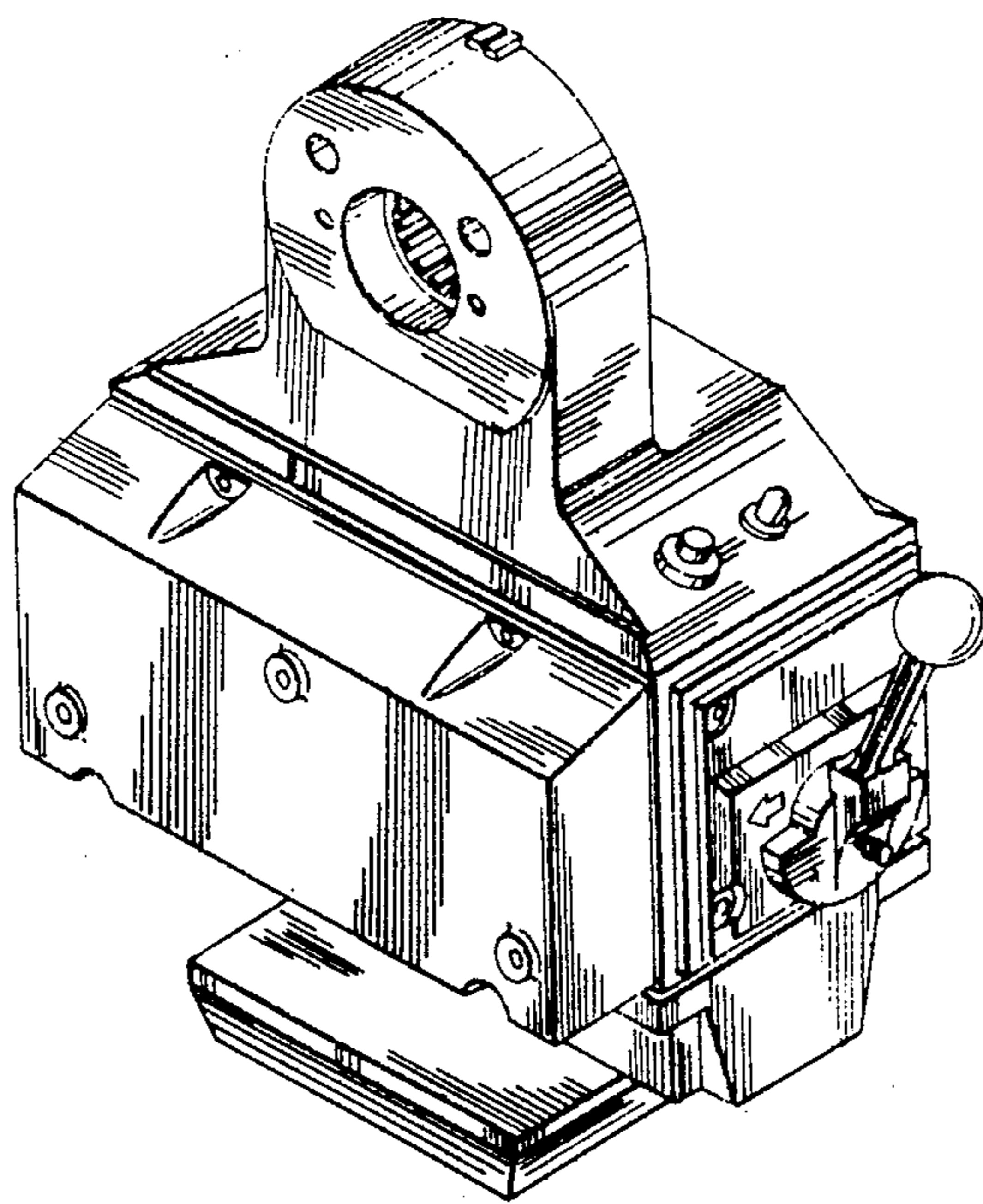


FIG. 7