

United States Patent [19]

Eguchi et al.

[11] Patent Number: **Des. 289,298**

[45] Date of Patent: **** Apr. 14, 1987**

[54] SEWING MACHINE

[75] Inventors: **Yoshiaki Eguchi, Kodaira; Masatomo Amemiya, Hachioji, both of Japan**

[73] Assignee: **Janome Sewing Machine Co. Ltd., Tokyo, Japan**

[**] Term: **14 Years**

[21] Appl. No.: **614,733**

[22] Filed: **May 25, 1984**

[30] Foreign Application Priority Data

May 2, 1984 [JP] Japan 59-17879

[52] U.S. Cl. **D15/69; D15/70**

[58] Field of Search **D15/68-70; 112/63, 258-261**

[56] References Cited

U.S. PATENT DOCUMENTS

D. 223,866 6/1972 Yamamoto D15/69

D. 235,925 7/1975 Kudo et al. D15/68

D. 274,435 6/1984 Hanyu et al. D15/68
D. 280,730 9/1985 Uchida D15/69
3,858,954 1/1975 Hetterich 112/258 X
4,034,691 7/1977 Sasaki 112/258
4,183,310 1/1980 Johnson 112/258 X
4,487,144 12/1984 Bianchi 112/260

Primary Examiner—Bernard Ansher
Assistant Examiner—Linda Titolo
Attorney, Agent, or Firm—Michael J. Striker

[57] **CLAIM**

The ornamental design for a sewing machine, substantially as shown and described.

DESCRIPTION

FIG. 1 is a top front left side perspective view of a sewing machine, showing our new design; FIG. 2 is a front elevational view thereof; FIG. 3 is a rear elevational view thereof; FIG. 4 is a top plan view thereof; FIG. 5 is a bottom plan view thereof; FIG. 6 is a left side elevational view thereof; and FIG. 7 is a right side elevational view thereof.

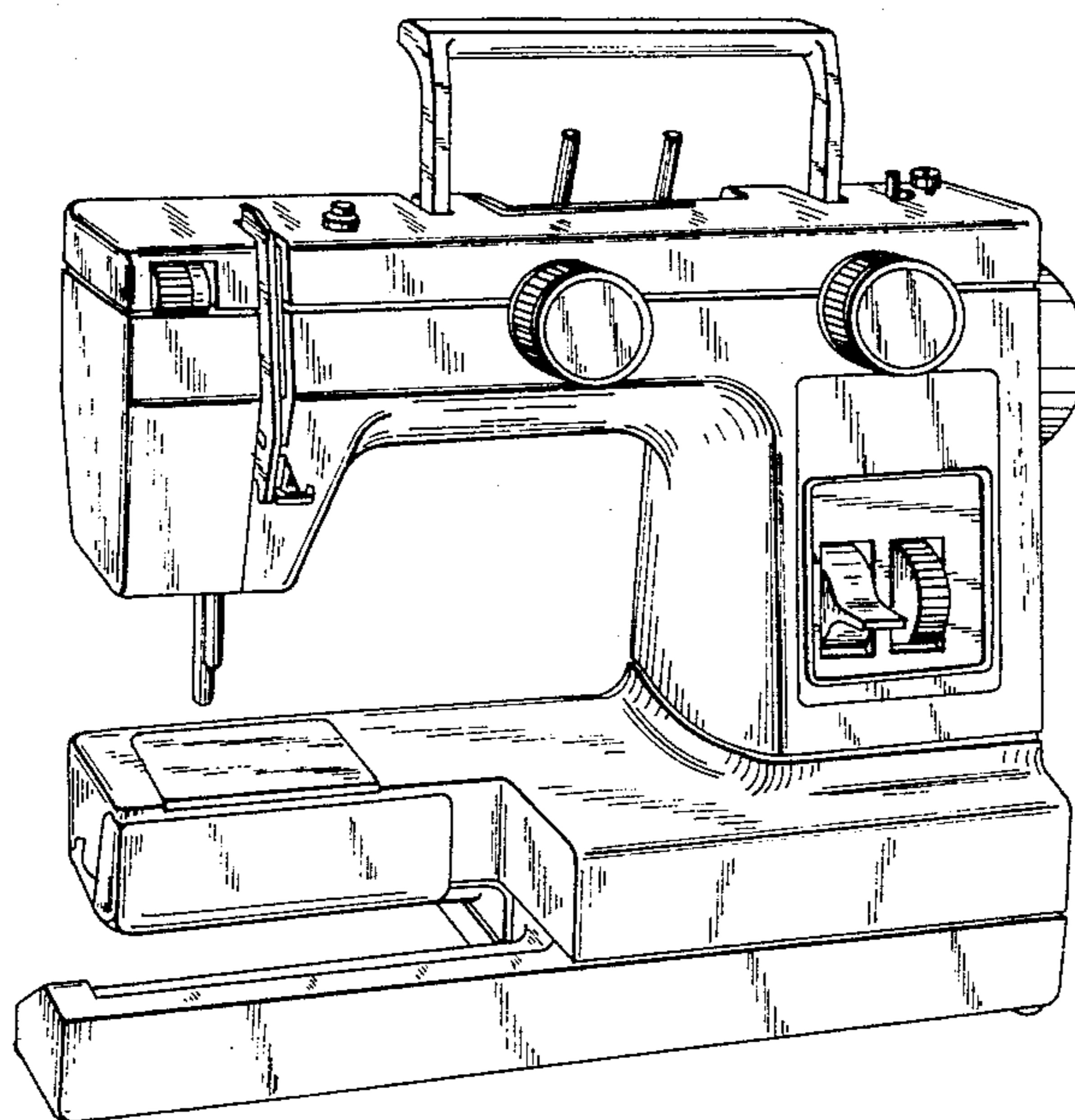


FIG. 1

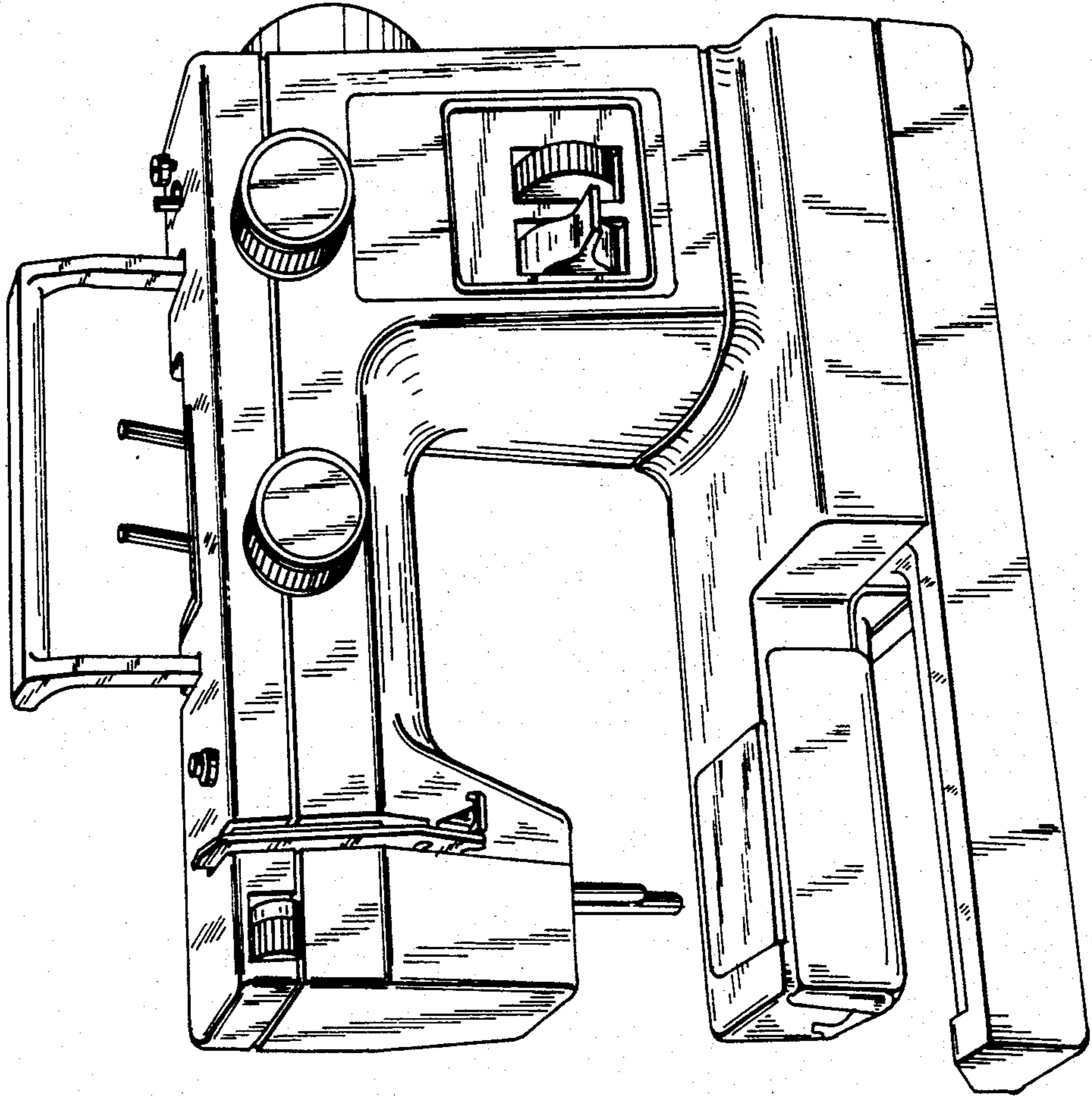


FIG. 2

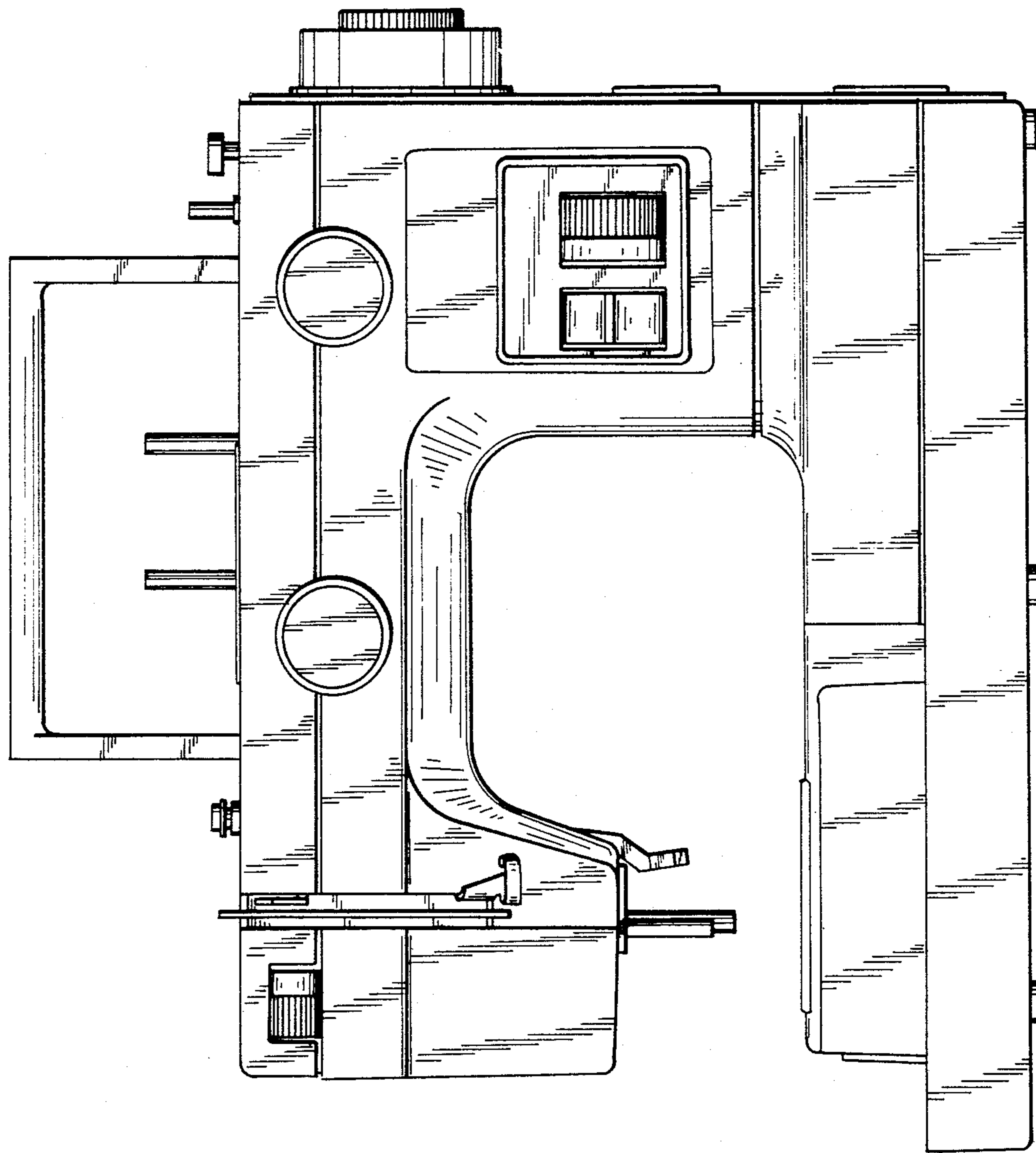


FIG. 3

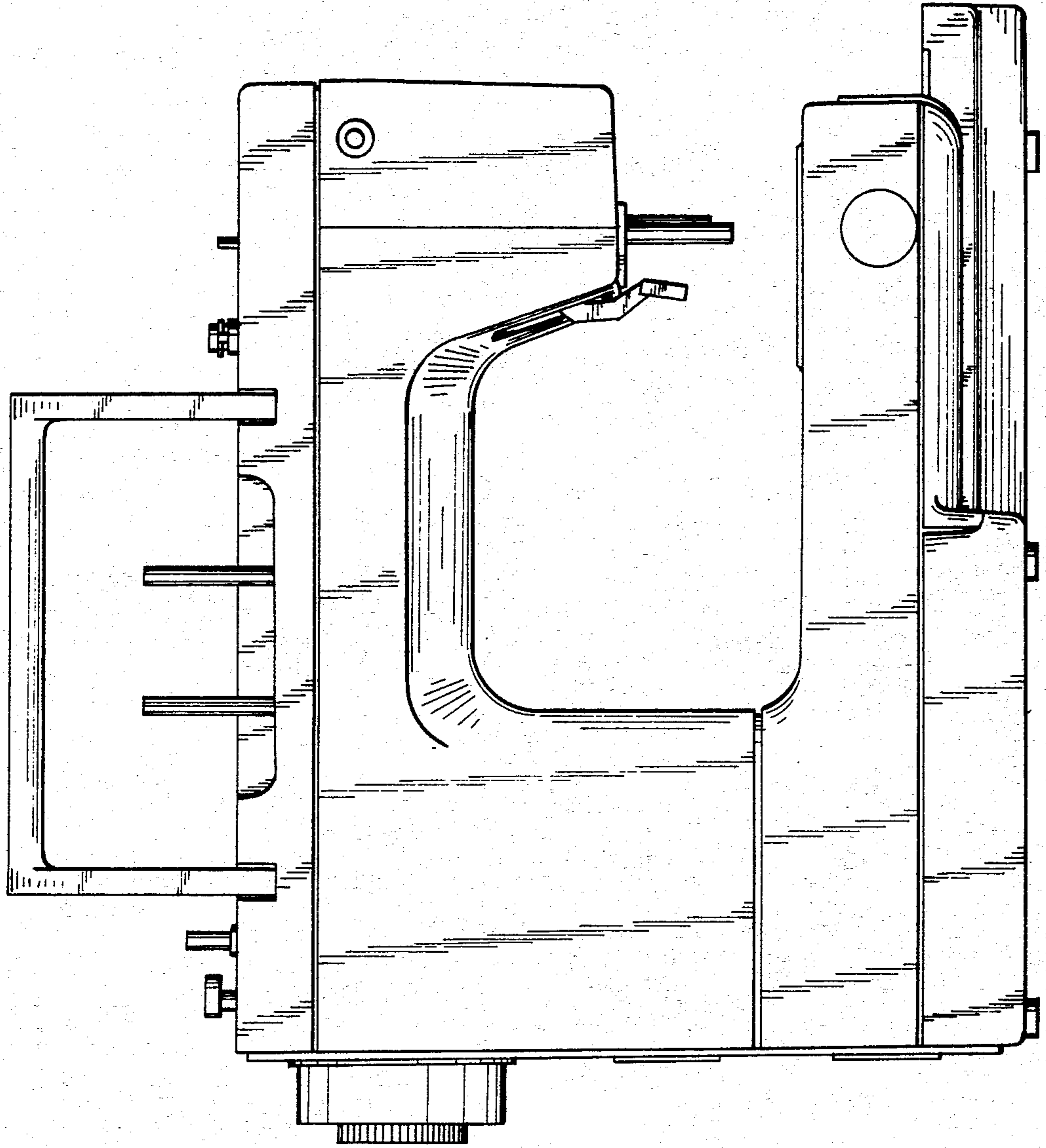


FIG. 4

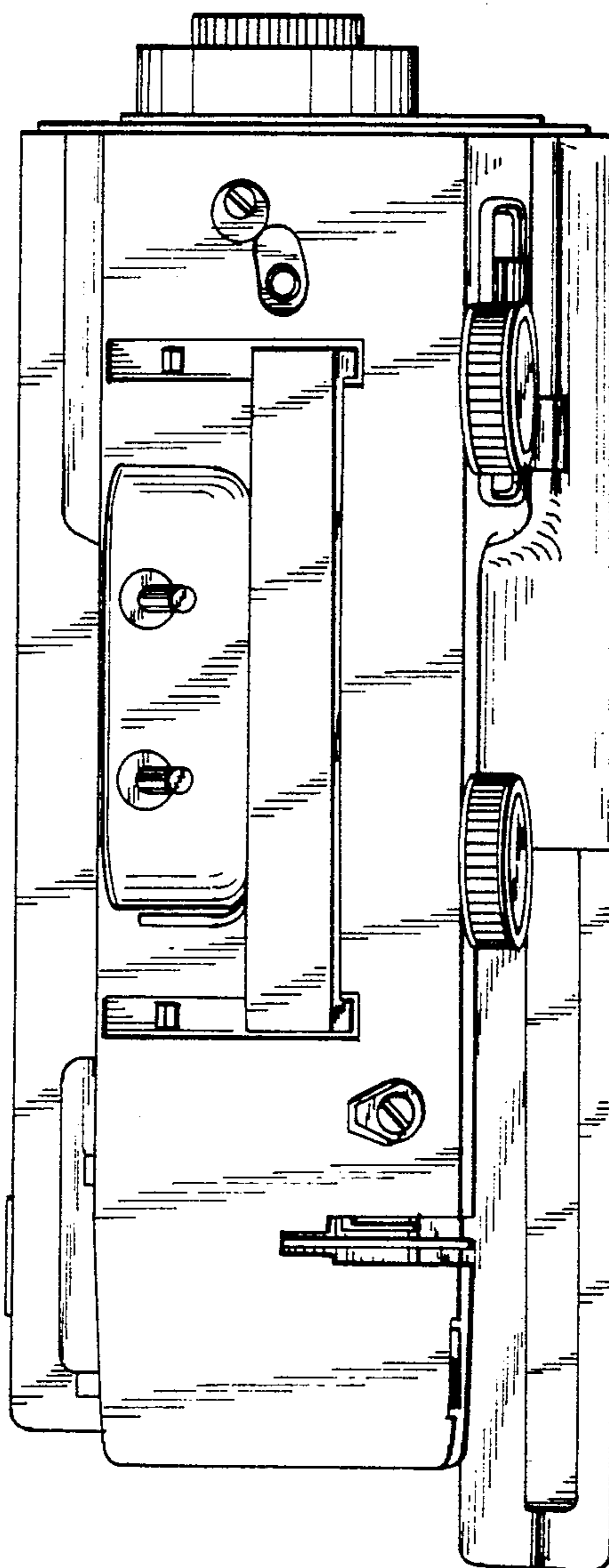


FIG. 5

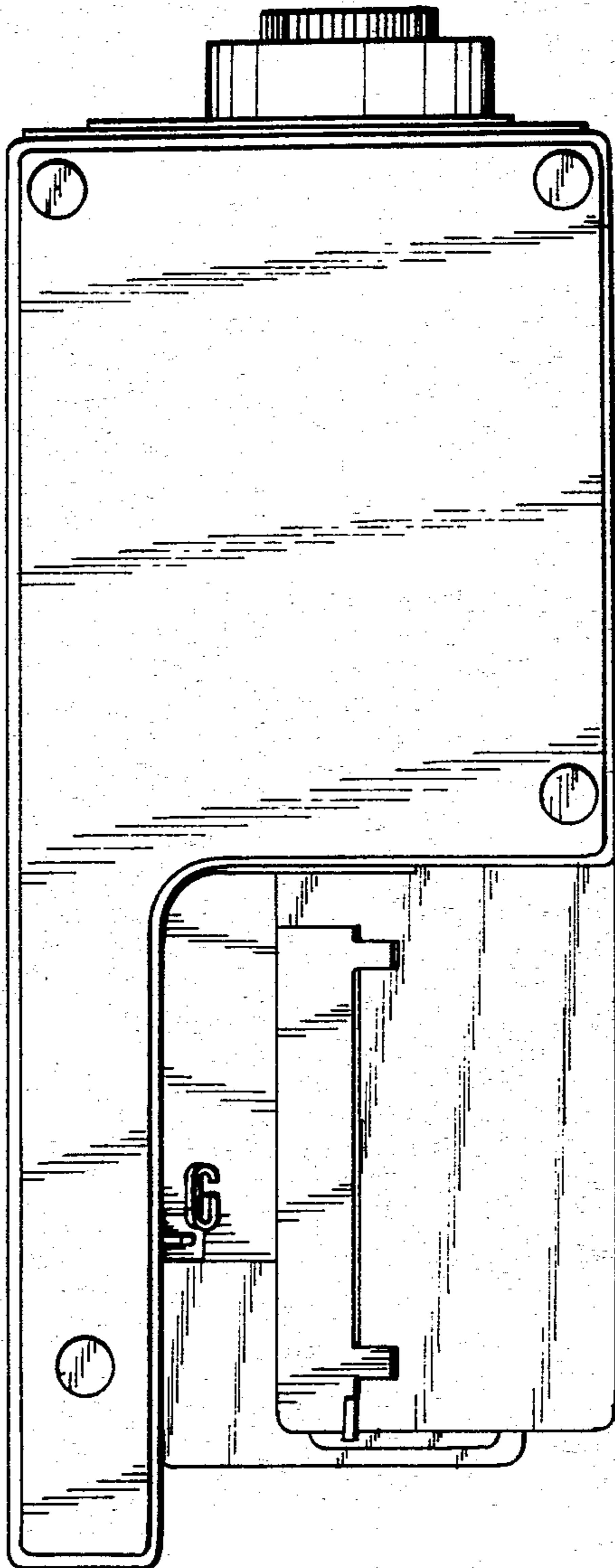


FIG. 6

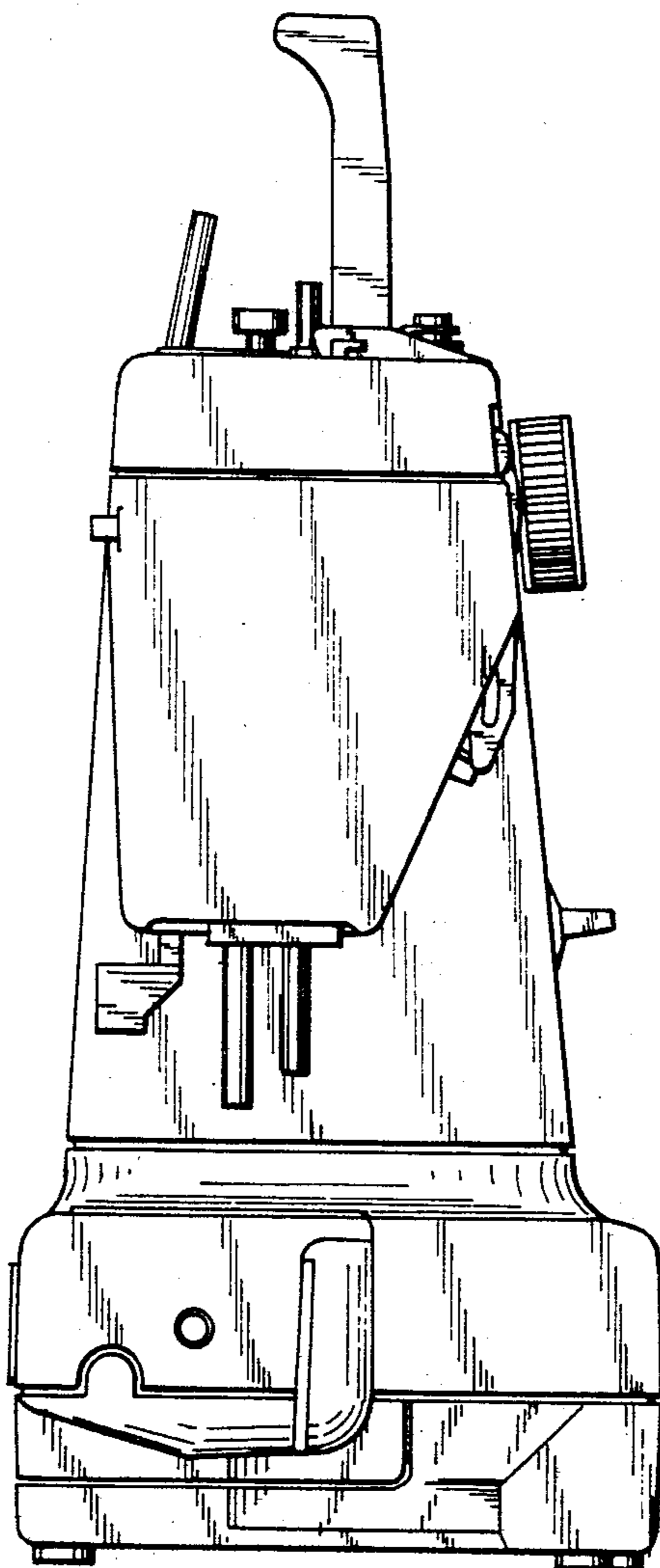


FIG. 7

