

[54] AIR COMPRESSOR

D. 281,609 12/1985 Herbst D15/9
4,483,664 11/1984 Armbruster 417/234

[76] Inventor: Jackson Liu, No. 10, Lane 378,
Kung-Ho Rd., Kuai-Tsun Li, Chiai
City, Taiwan

Primary Examiner—B. J. Bullock
Assistant Examiner—Brian N. Vinson
Attorney, Agent, or Firm—Ned L. Conley; David A.
Rose; William E. Shull

[**] Term: 14 Years

[21] Appl. No.: 634,871

[57] CLAIM

The ornamental design for an air compressor, as shown.

[22] Filed: Jul. 26, 1984

[52] U.S. Cl. D15/7

[58] Field of Search D15/7, 9; 417/229, 231,
417/234, 265, 321, 410-411, 572; D10/114

DESCRIPTION

FIG. 1 is a perspective view of an air compressor showing my new design;

FIG. 2 is a front elevational view thereof;

FIG. 3 is a rear elevational view thereof;

FIG. 4 is a left side elevational view thereof;

FIG. 5 is a right side elevational view thereof;

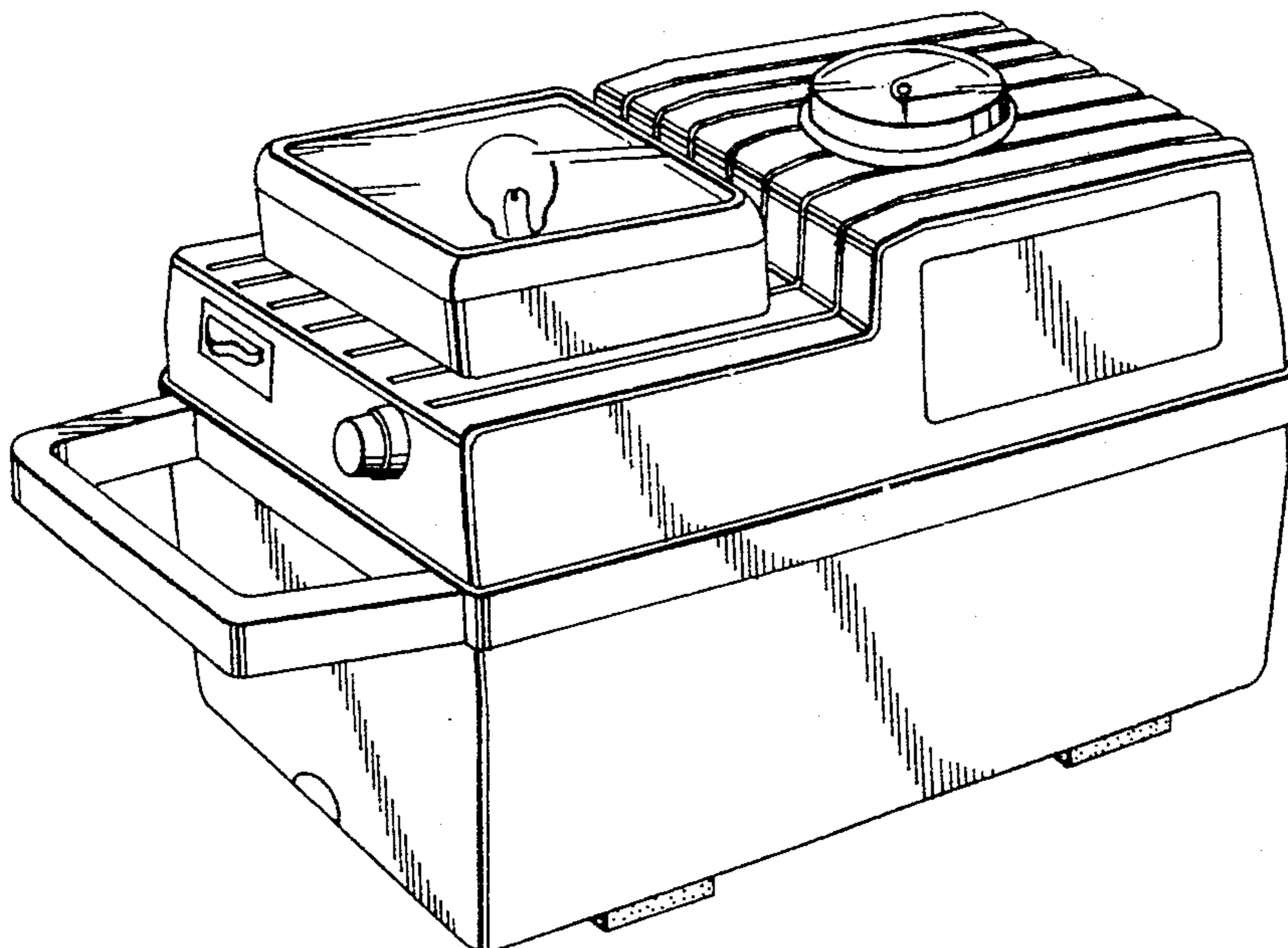
FIG. 6 is a top plan view thereof; and

FIG. 7 is a bottom plan view thereof.

[56] References Cited

U.S. PATENT DOCUMENTS

- D. 273,789 5/1984 Davis D15/9
- D. 273,958 5/1984 Mariol D15/9
- D. 280,993 10/1985 Mariol D15/9



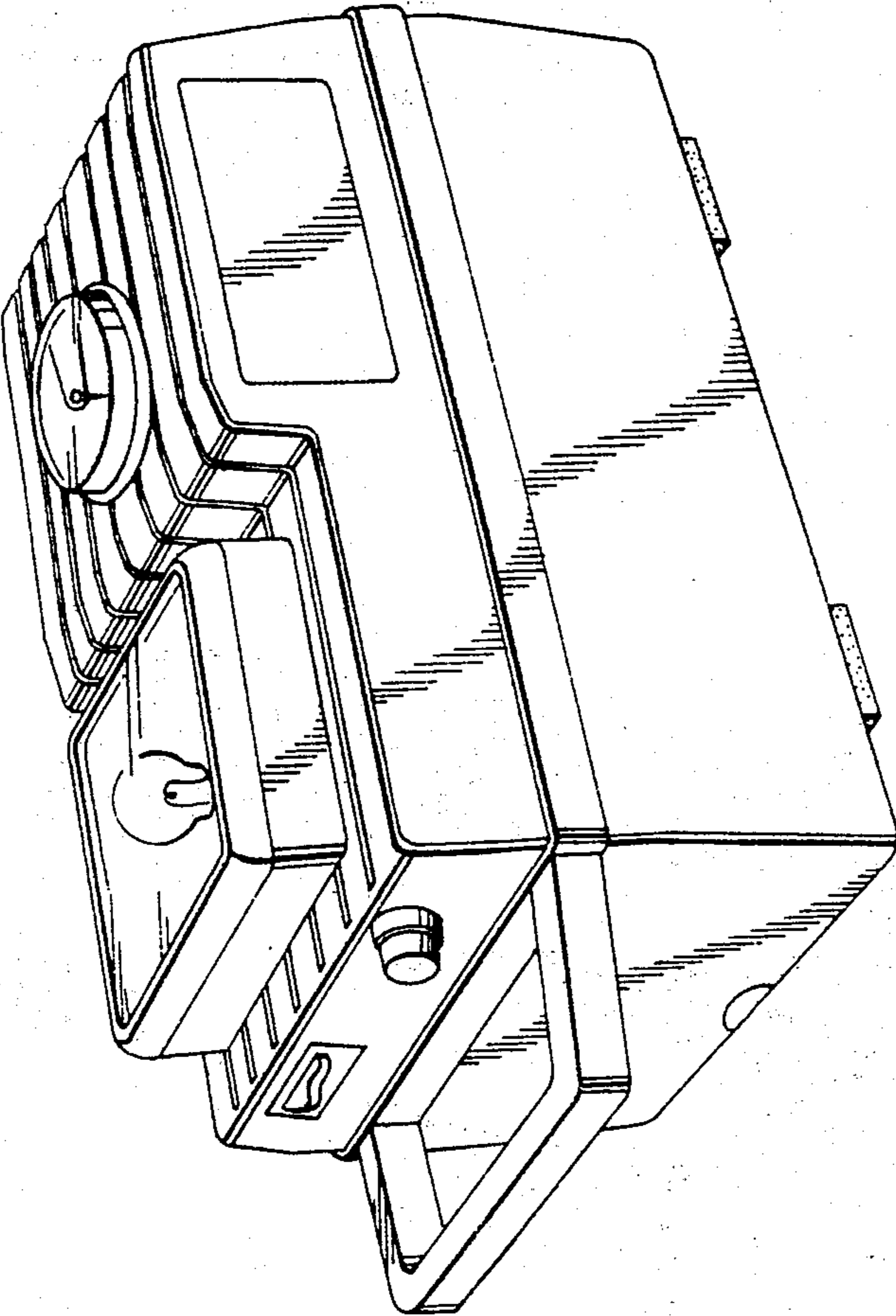


FIG. 1

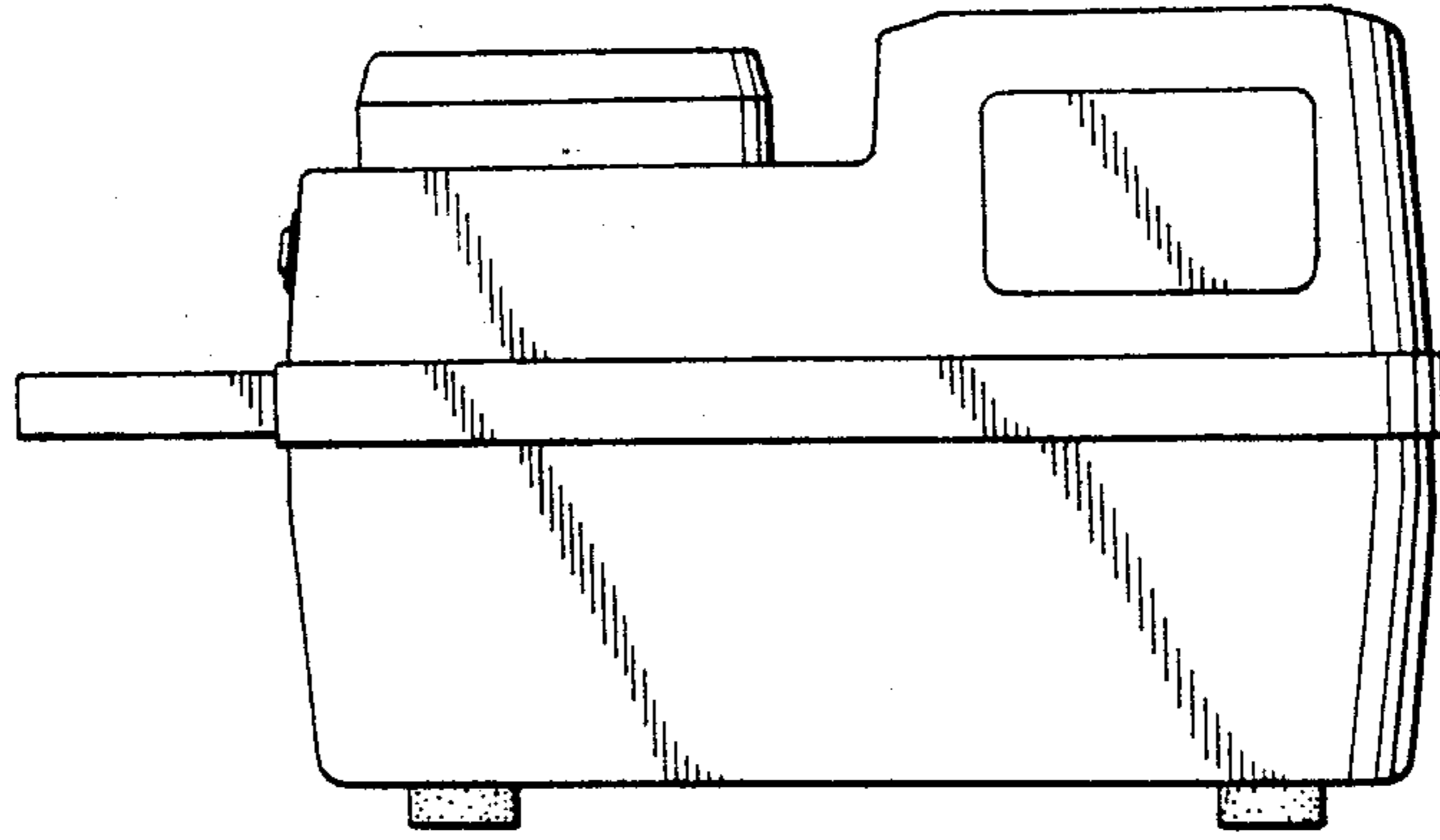


FIG. 2

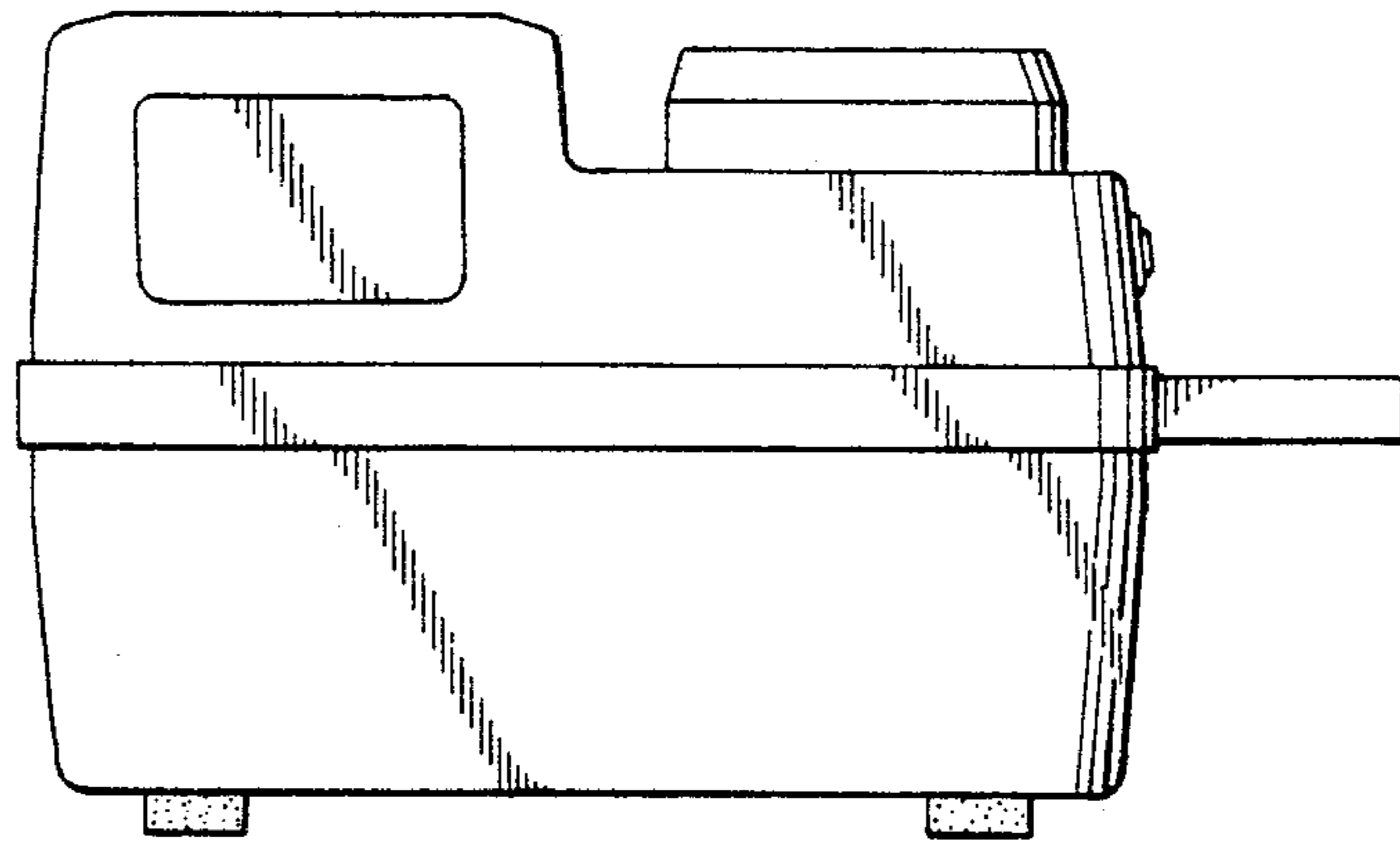


FIG. 3

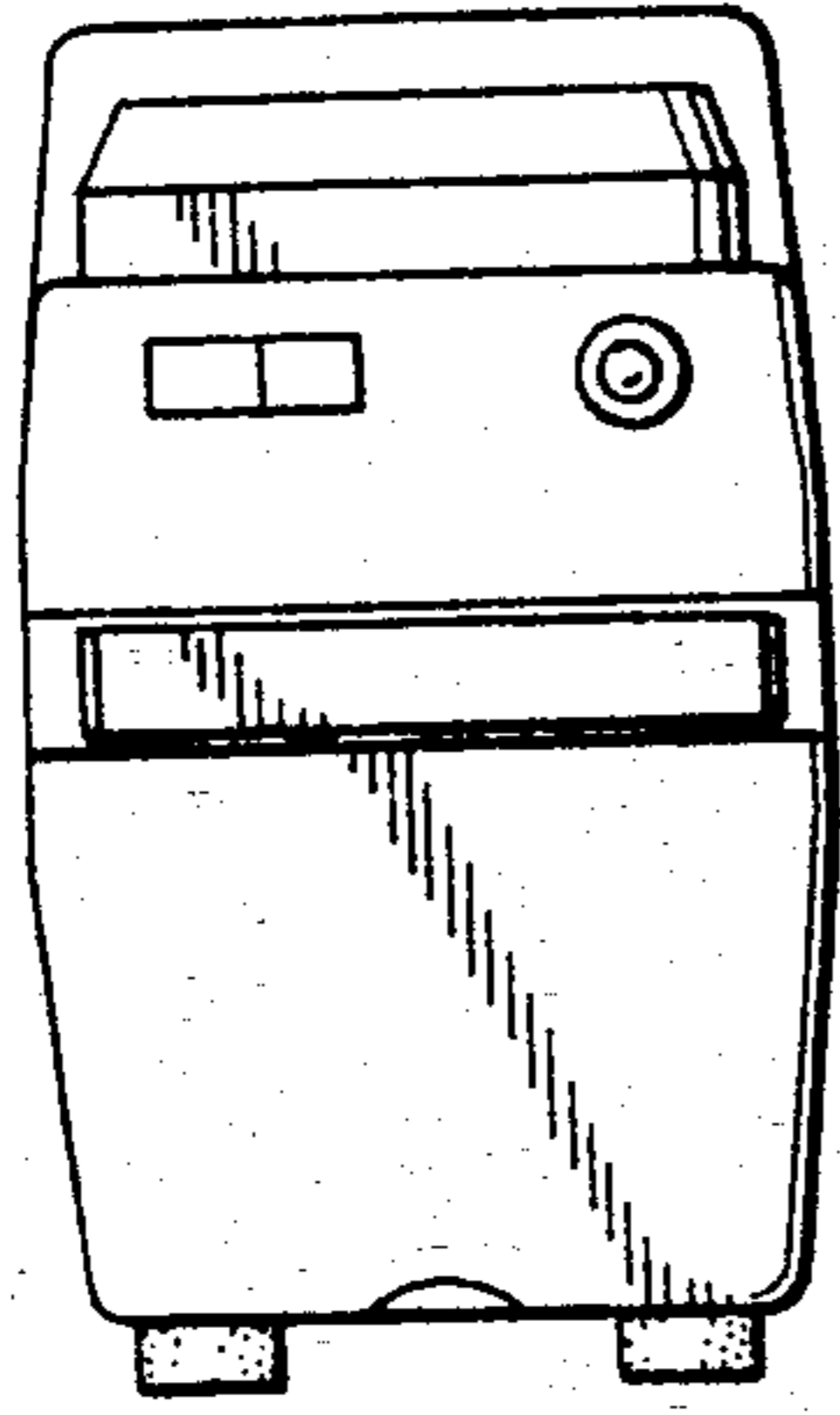


FIG. 4

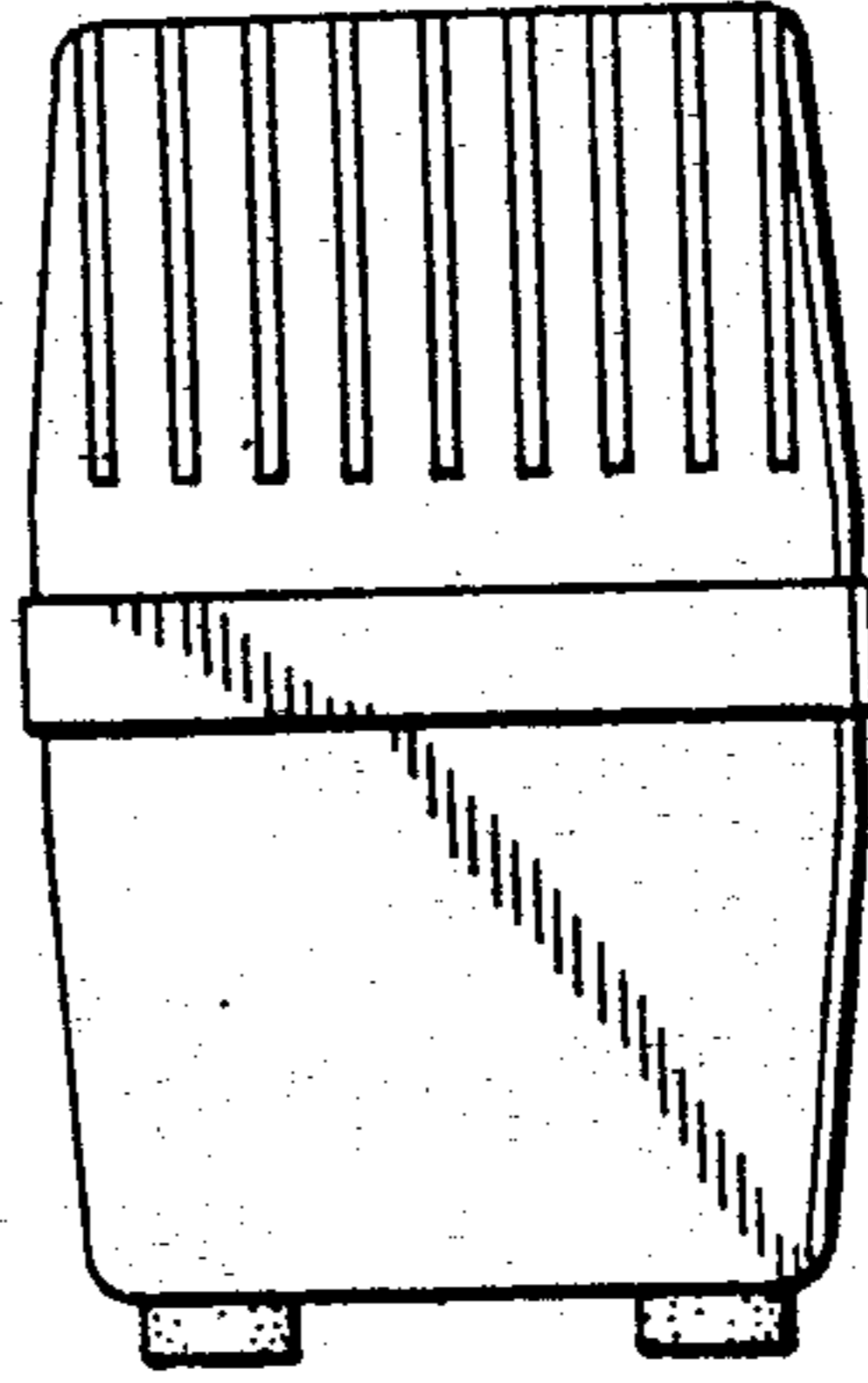


FIG. 5

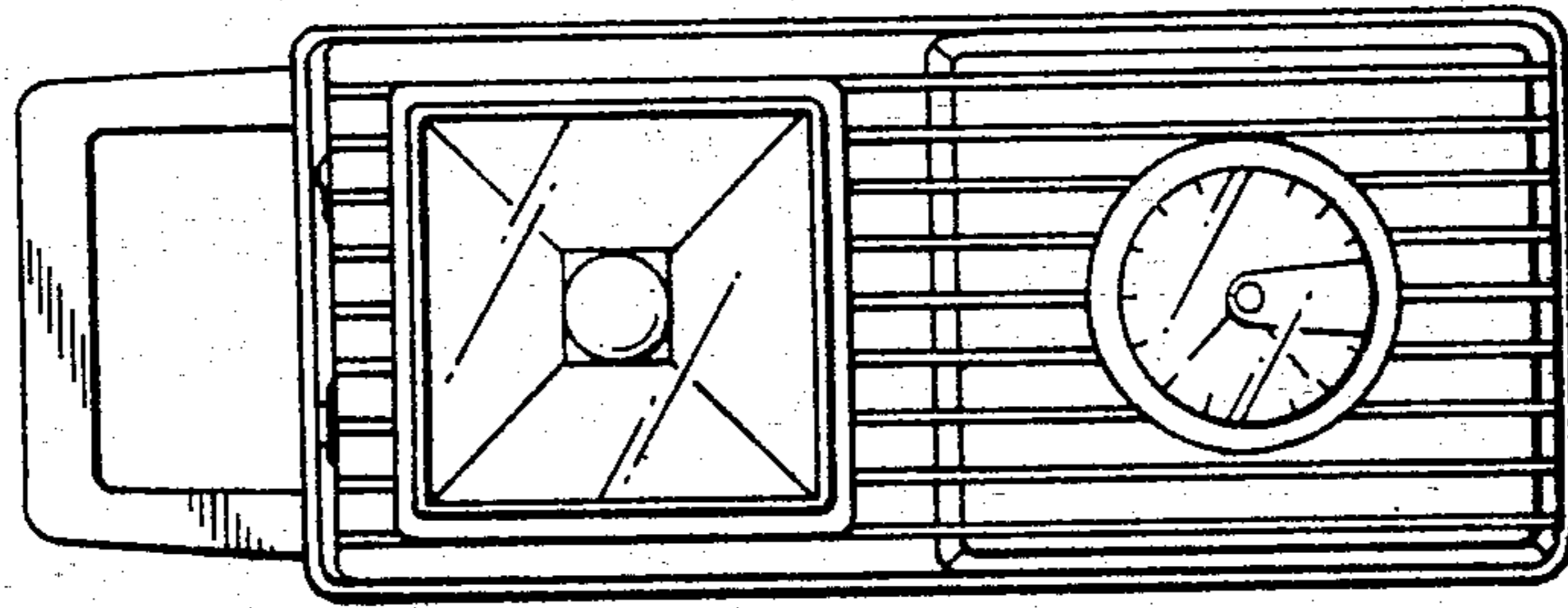


FIG. 6

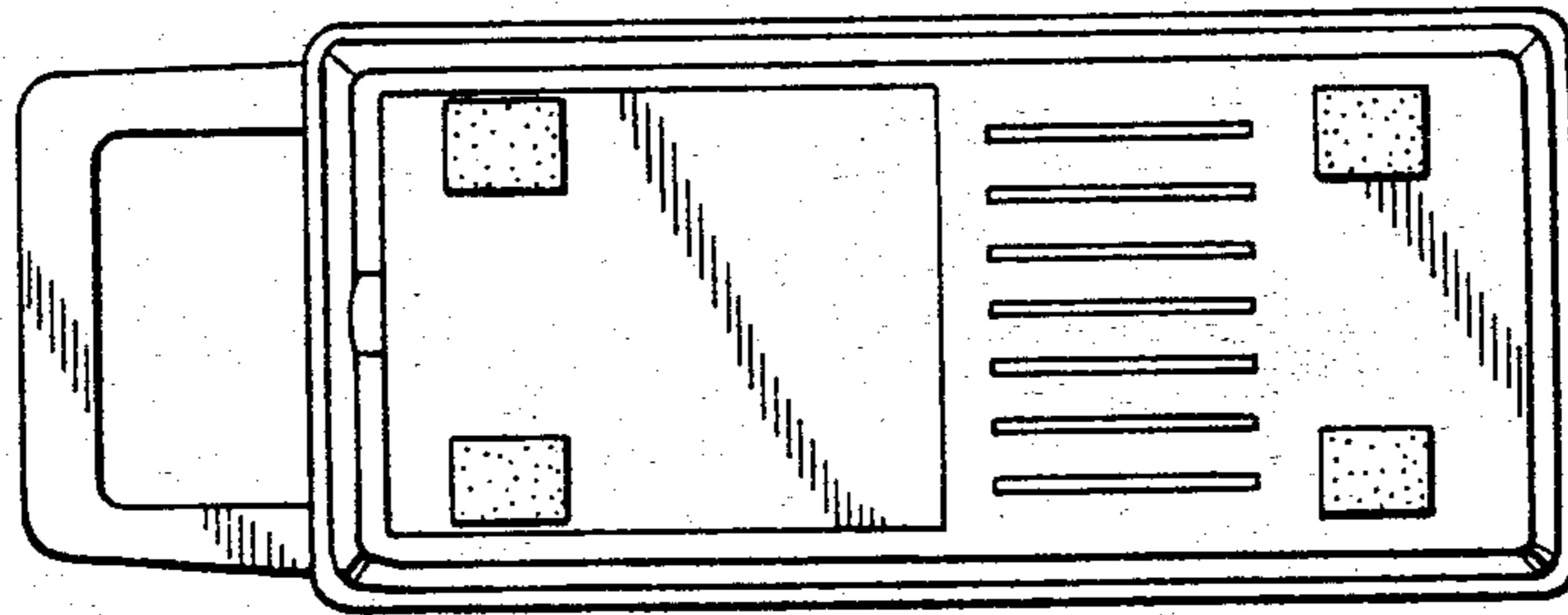


FIG. 7