

[54] INTERACTIVE GRAPHICS DATA
TERMINAL

[75] Inventor: Henry Kapper, Raleigh, N.C.

[73] Assignee: International Business Machines
Corp., Armonk, N.Y.

[**] Term: 14 Years

[21] Appl. No.: 597,320

[22] Filed: Apr. 6, 1984

[52] U.S. Cl. D14/100

[58] Field of Search D14/100, 106, 107, 114,
D14/115; 340/365 R, 700, 706-710; 178/18, 19

[56] References Cited

U.S. PATENT DOCUMENTS

D. 263,396 3/1982 Horikoshi D14/106
3,673,579 6/1972 Graven 340/706 X
3,761,877 9/1973 Fernald 178/18 X

FOREIGN PATENT DOCUMENTS

2032152 4/1980 United Kingdom 178/18

OTHER PUBLICATIONS

Computer Design, 1-1981, inside rear cover, Hipad TM
Digitizer.

Form, 4-1977, p. 46, Keyboard, bottom left.

Primary Examiner—Susan J. Lucas
Attorney, Agent, or Firm—Joscelyn G. Cockburn

[57] CLAIM

The ornamental design for an interactive graphics data
terminal, substantially as shown and described.

DESCRIPTION

FIG. 1 is a front, top and left side perspective view of
the interactive graphics data terminal showing my new
design;

FIG. 2 is a rear, top and left side perspective view
thereof;

FIG. 3 is a front elevational view thereof;

FIG. 4 is a rear elevational view thereof;

FIG. 5 is a right side elevational view thereof;

FIG. 6 is a left side elevational view thereof;

FIG. 7 is a top plan view thereof;

FIG. 8 is a bottom plan view thereof;

FIG. 9 is a rear, top and left side perspective view of a
second embodiment of my new design, the front and the
sides being identical to those of the first embodiment;

FIG. 10 is a front, top and left side perspective view of
a third embodiment of my new design, the rear edge and
the sides being identical to those of the first embodi-
ment.

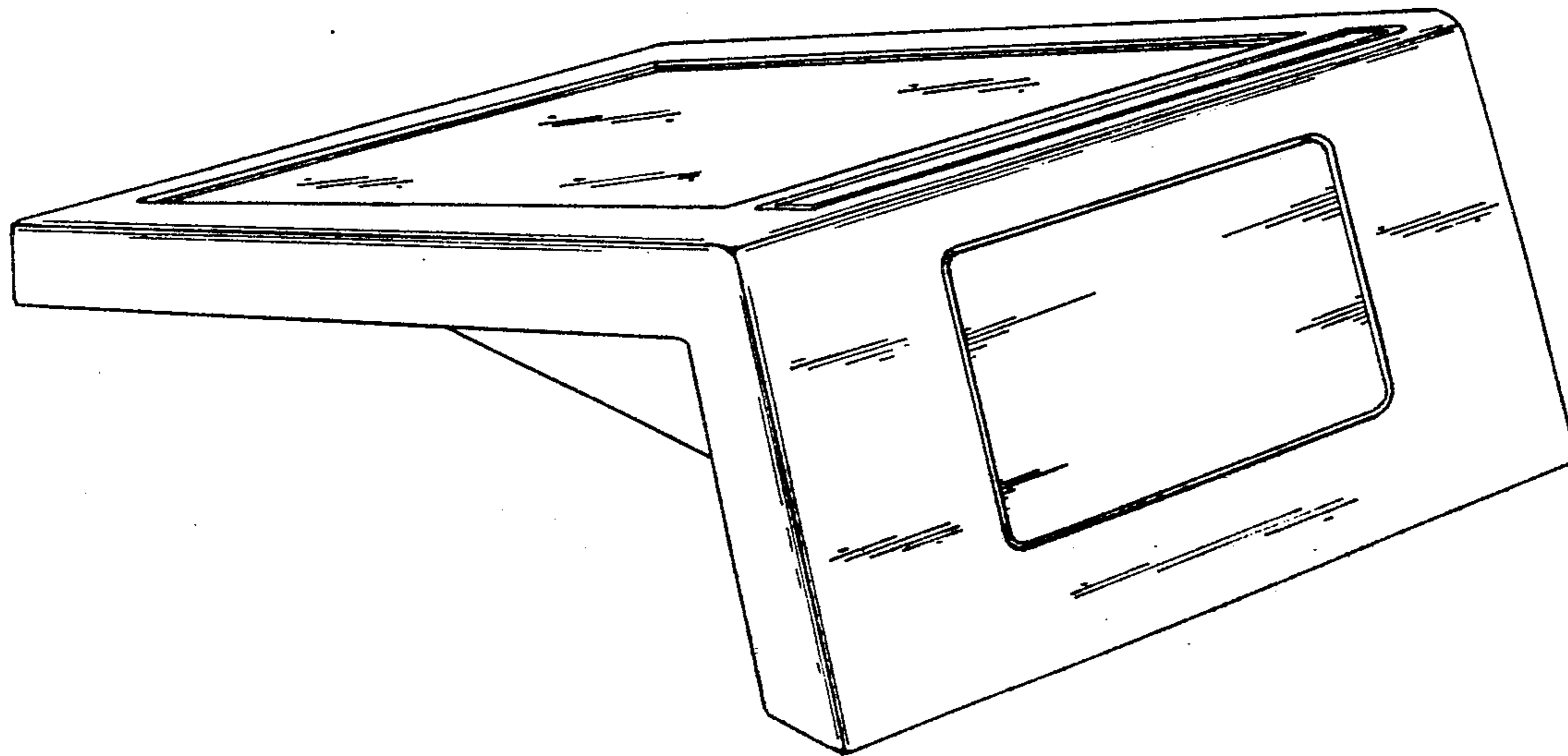
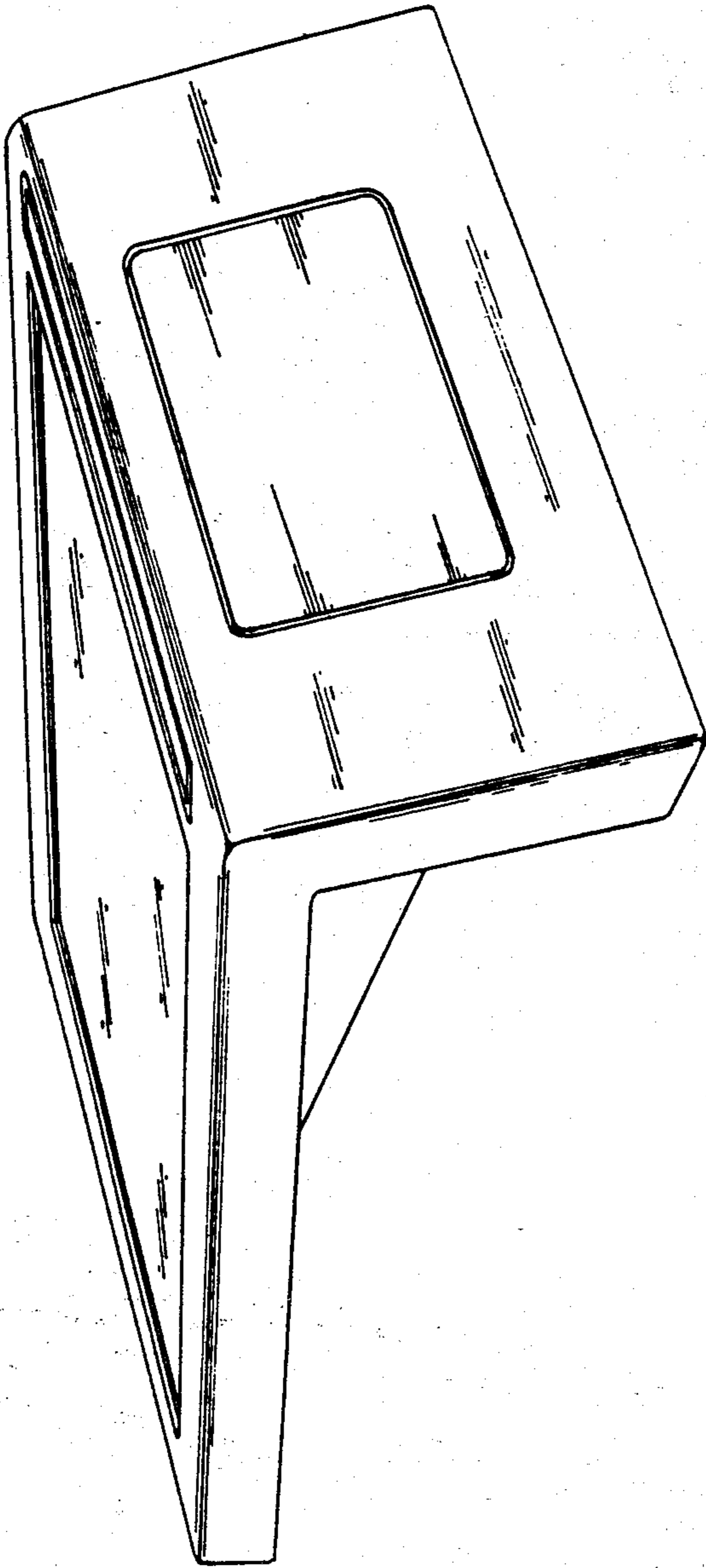


FIG. 1



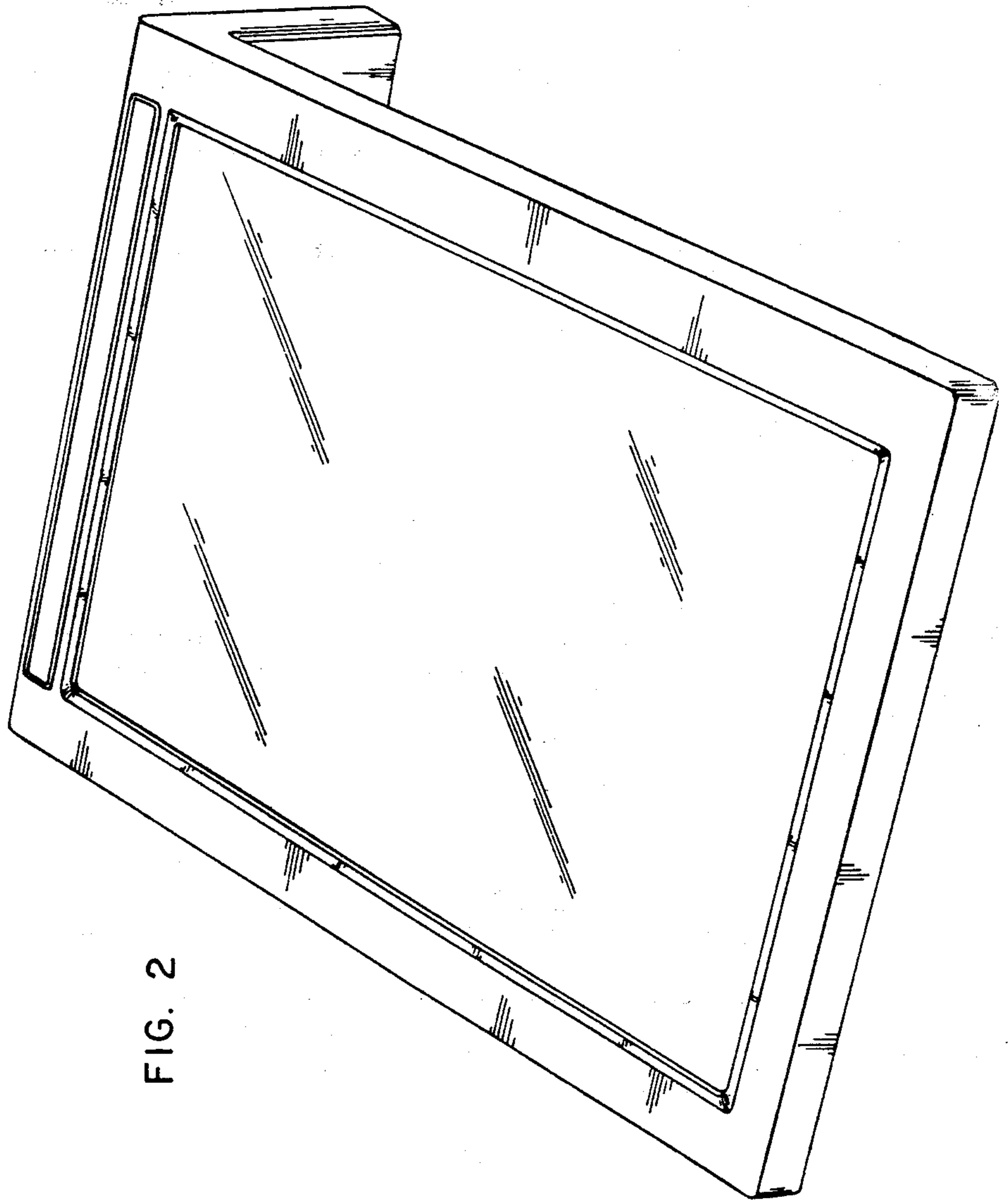


FIG. 2

FIG. 3

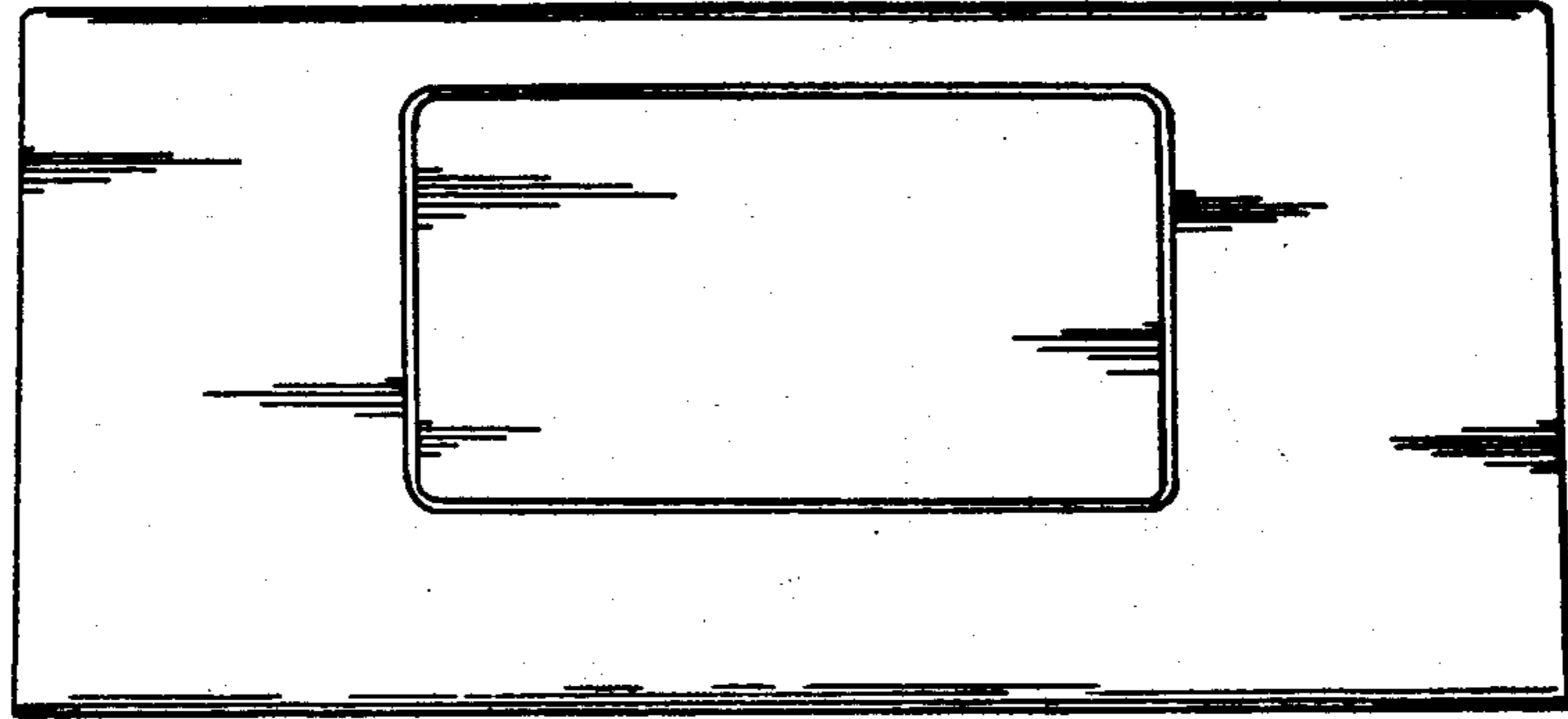
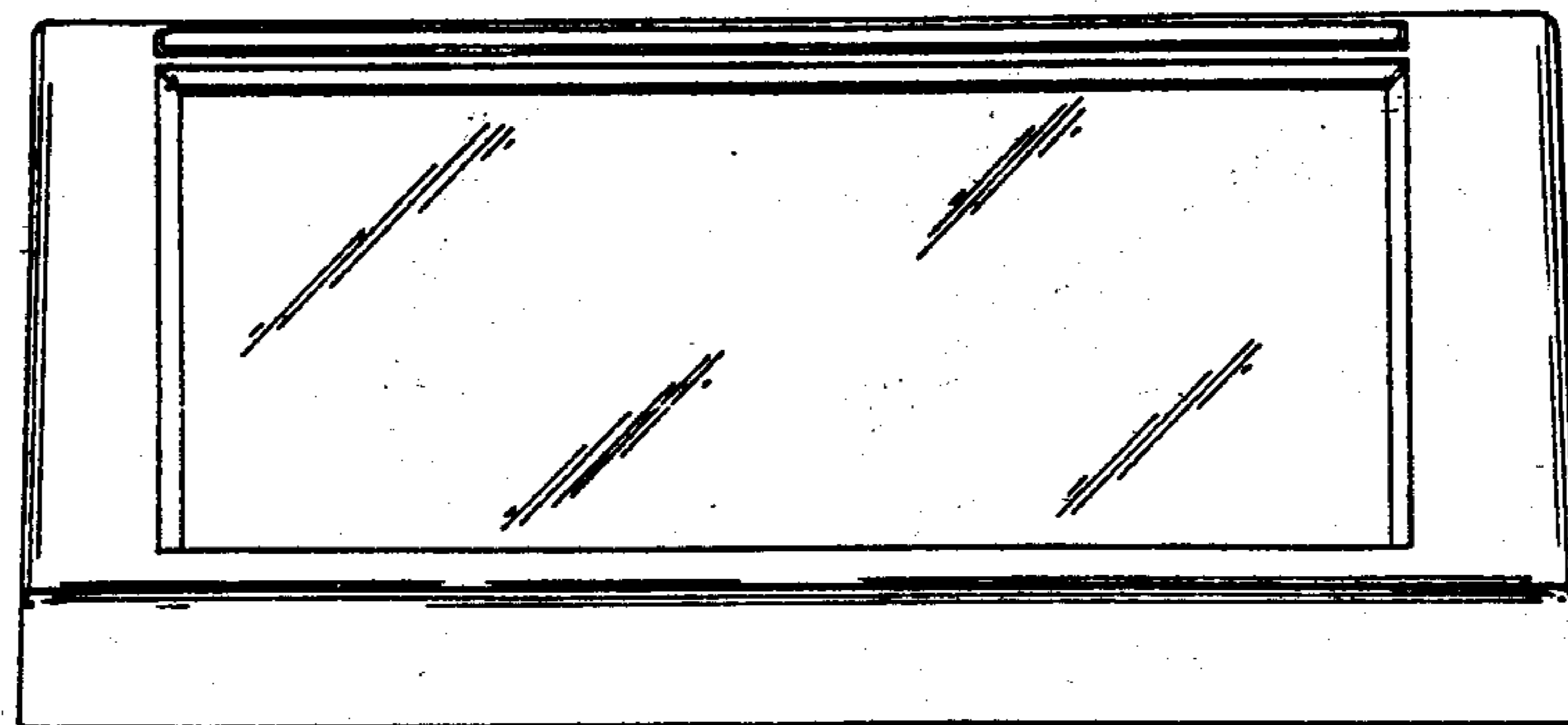


FIG. 4



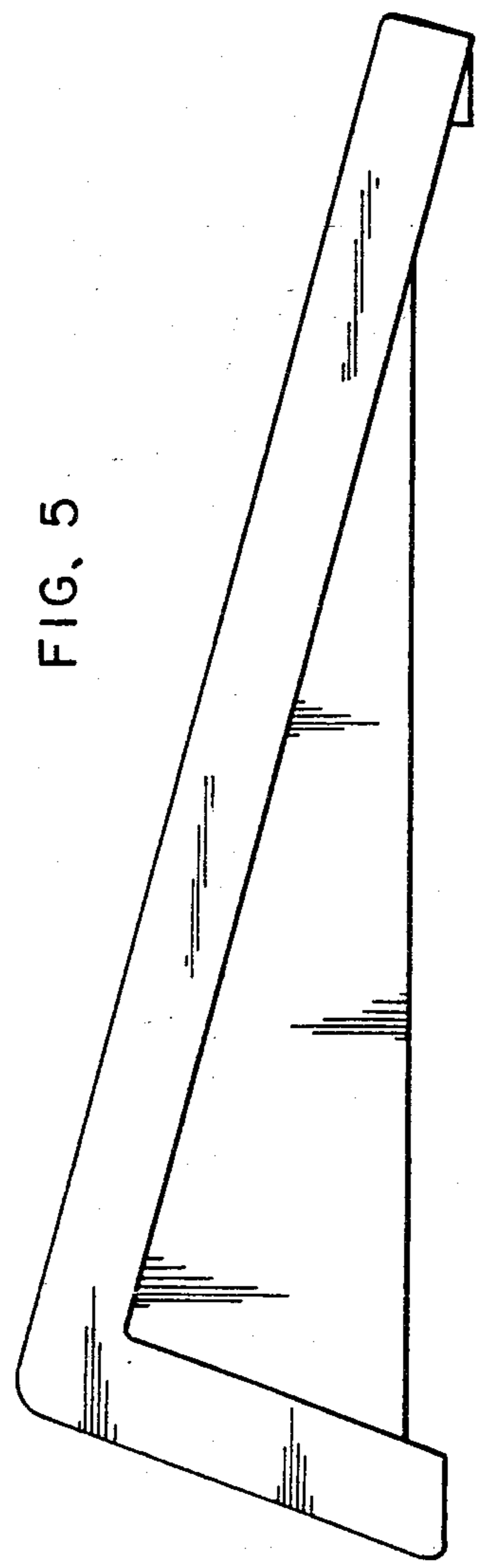


FIG. 5

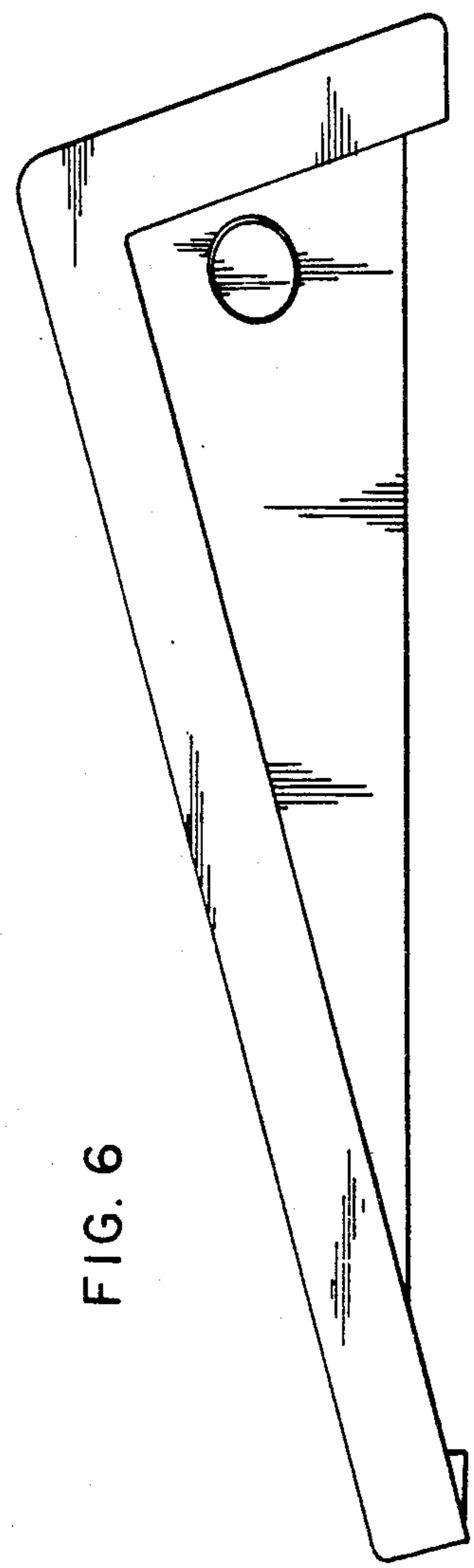


FIG. 6

FIG. 7

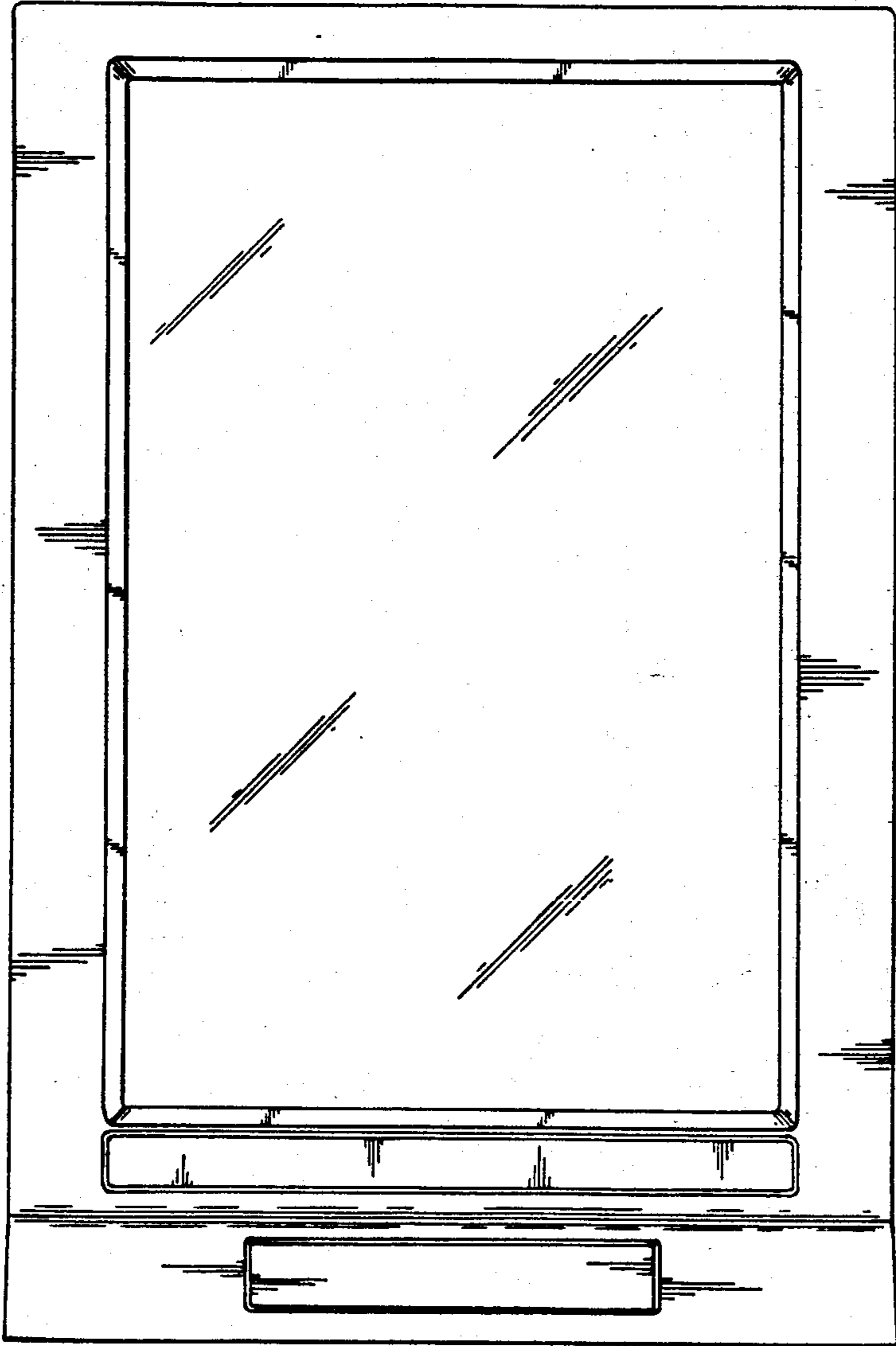
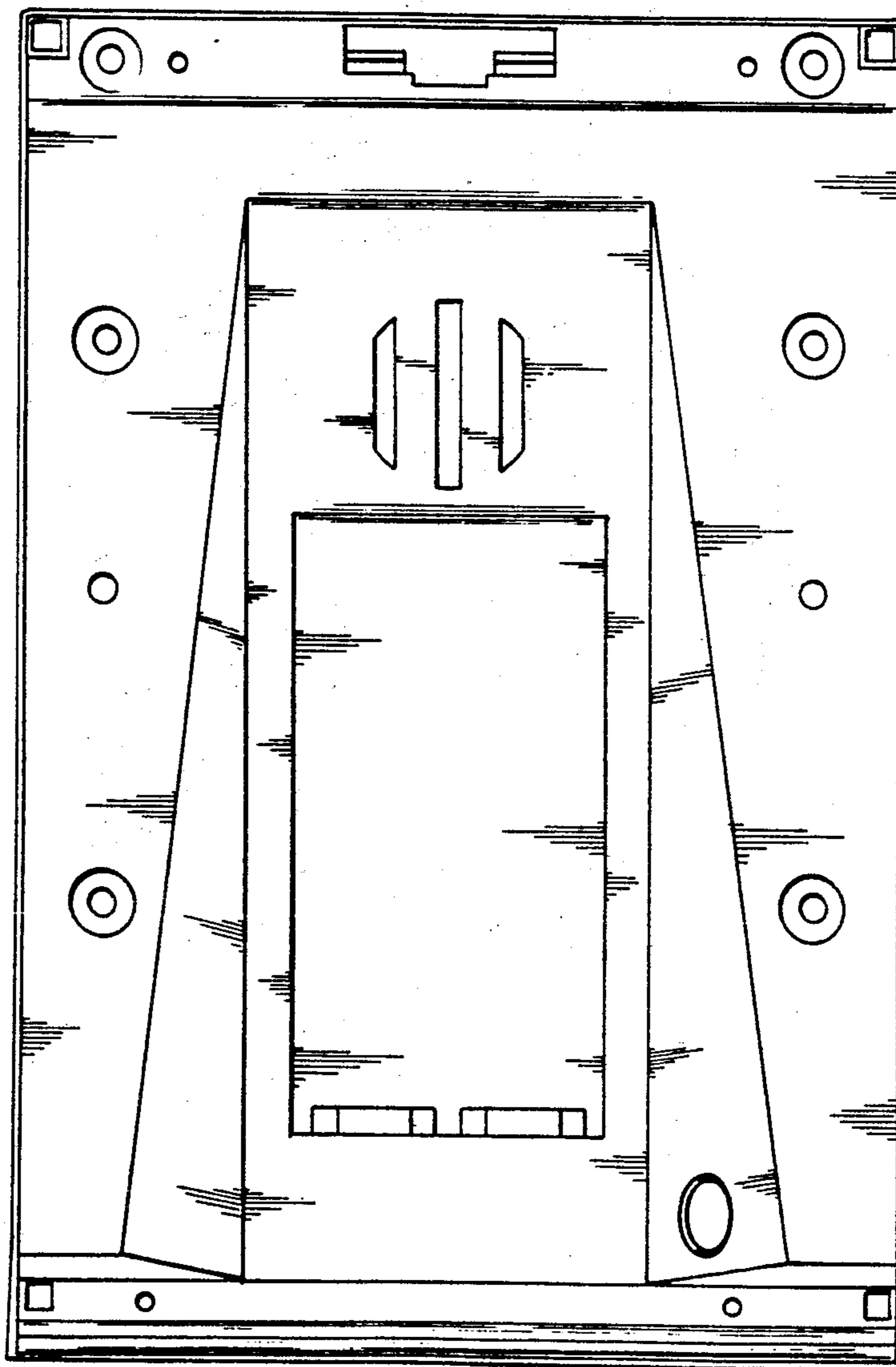


FIG. 8



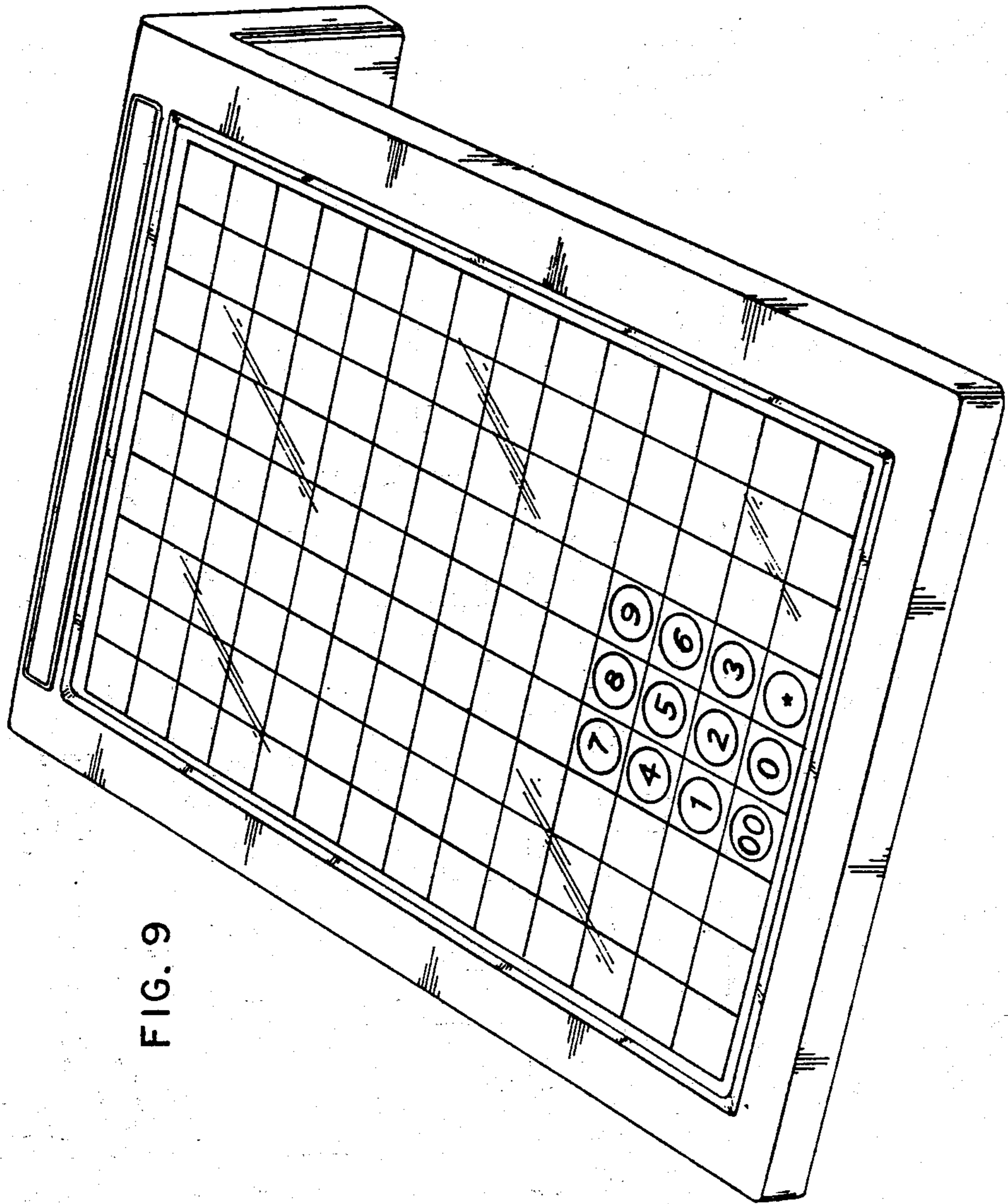


FIG. 9

FIG. 10

