

[54] VIDEO CAMERA

[75] Inventors: Haruyuki Enomoto, Yamato; Naokazu Shimazaki, Oiso, both of Japan

[73] Assignee: Sony Corporation, Tokyo, Japan

[\*\*] Term: 14 Years

[21] Appl. No.: 643,684

[22] Filed: Aug. 23, 1984

[30] Foreign Application Priority Data

Feb. 29, 1984 [JP] Japan ..... 59-7489

[52] U.S. Cl. .... D14/78; D14/1

[58] Field of Search ..... D14/78, 1, 5, 6; D16/3, D16/4; 352/242, 243, 72; 358/906, 224

[56] References Cited

U.S. PATENT DOCUMENTS

D. 282,656 2/1986 Mohri ..... D14/5

OTHER PUBLICATIONS

W. Bell & Co. cat., 1983, p. 304, center, item "I", Sony HVC-2200 Camera.

Video Review, Apr. 1982, p. 107, lower right, JVC Vidstar GX-88 Camera.

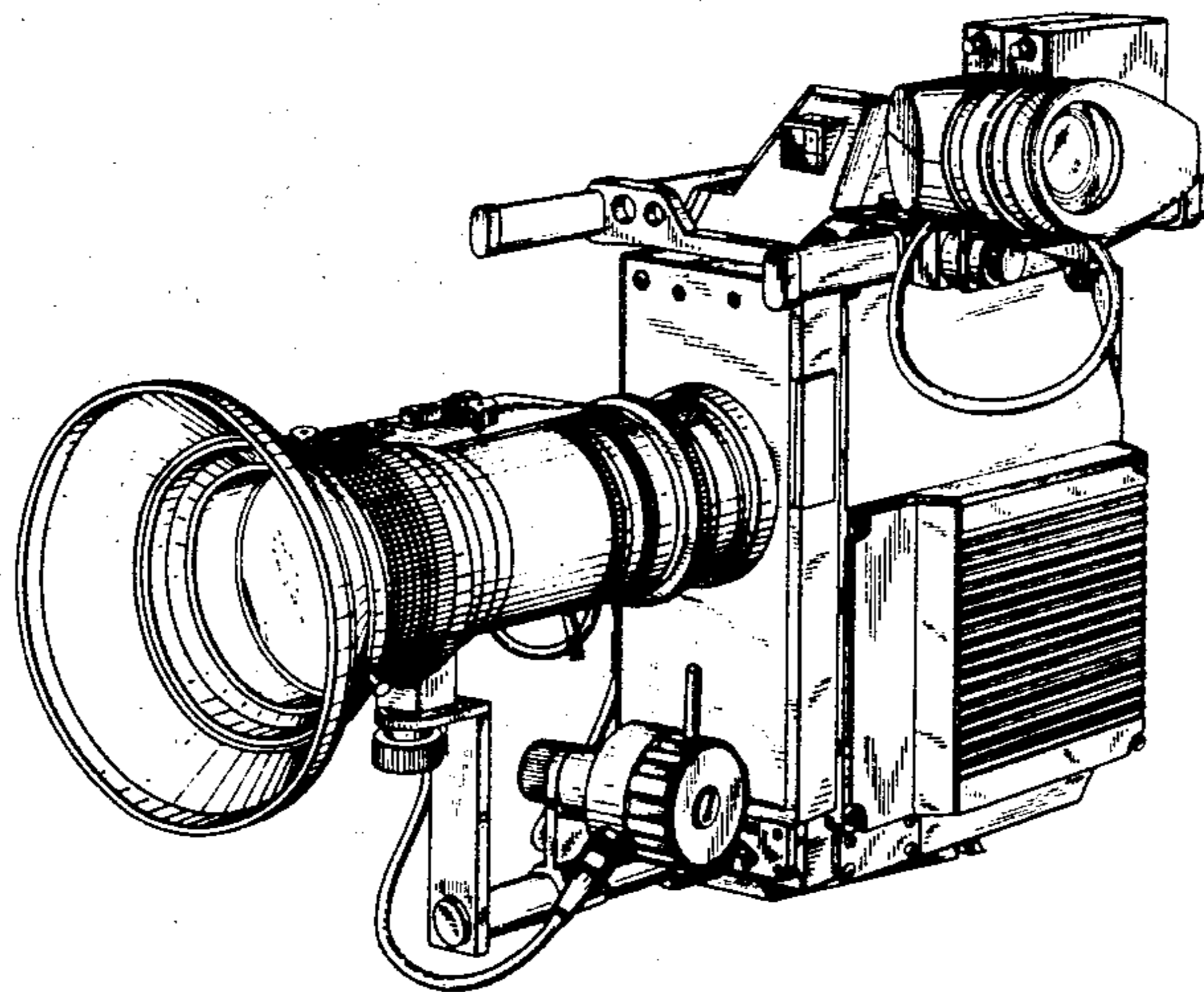
Primary Examiner—Melvin B. Feifer  
Attorney, Agent, or Firm—Lewis H. Eslinger; Alvin Sinderbrand

[57] CLAIM

The ornamental design for video camera, substantially as shown.

DESCRIPTION

FIG. 1 is a front perspective view of a video camera or the like, showing our new design; FIG. 2 is a front elevation thereof; FIG. 3 is a rear elevation thereof; FIG. 4 is a left-side elevation thereof; FIG. 5 is a right-side elevation view thereof; FIG. 6 is a top plan view thereof; and FIG. 7 is a bottom plan view thereof.



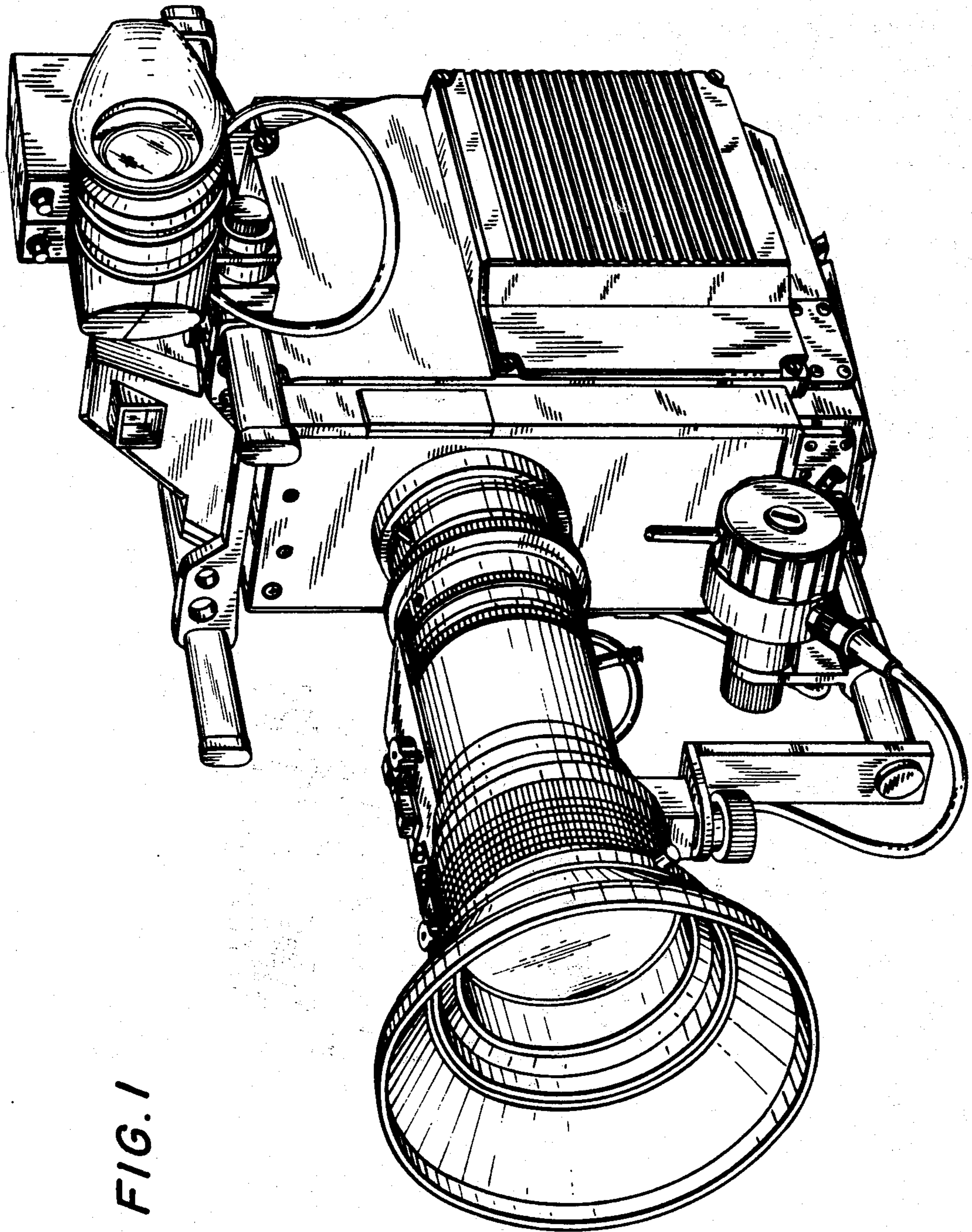


FIG. 1

FIG. 2

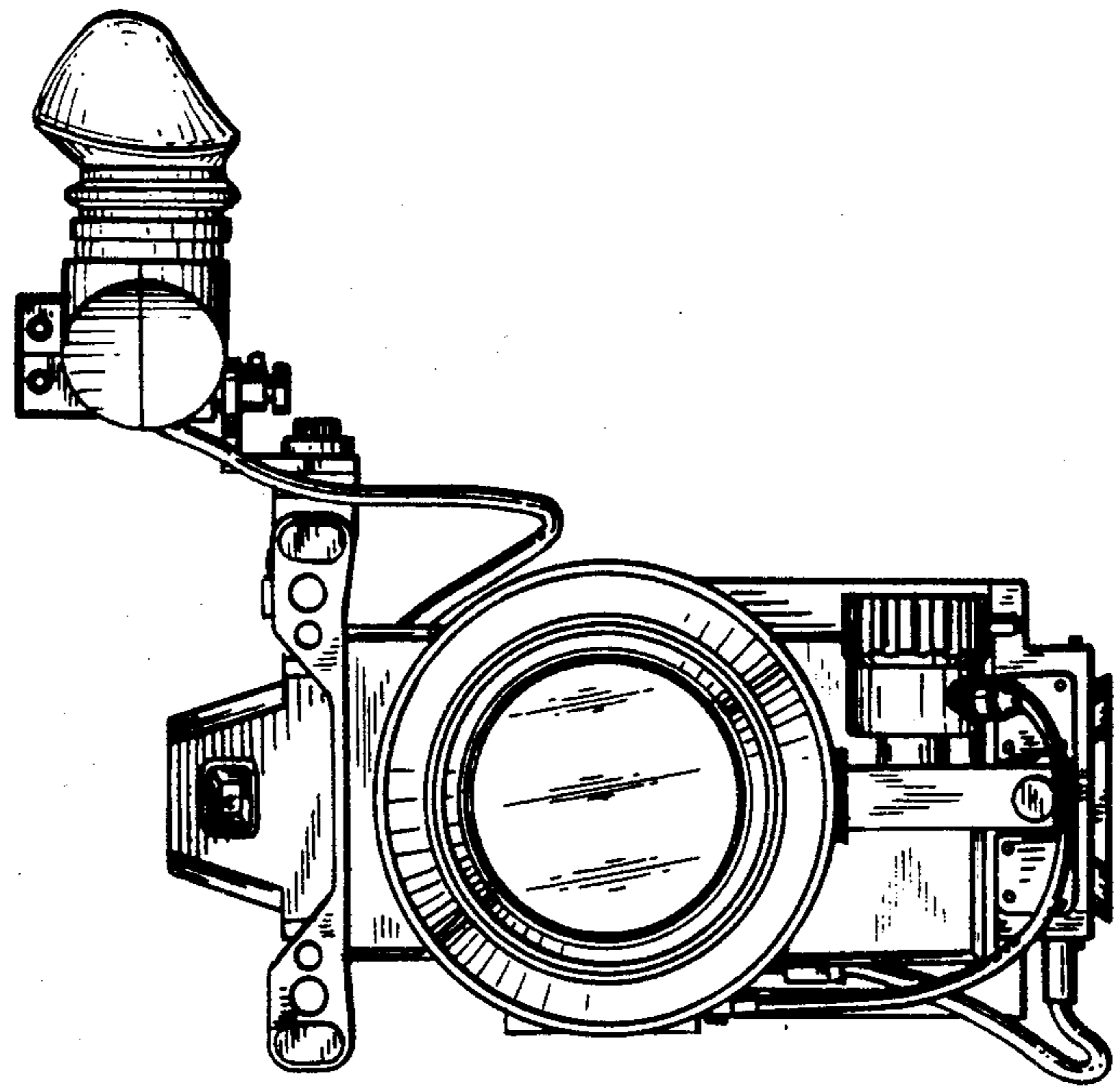


FIG. 4

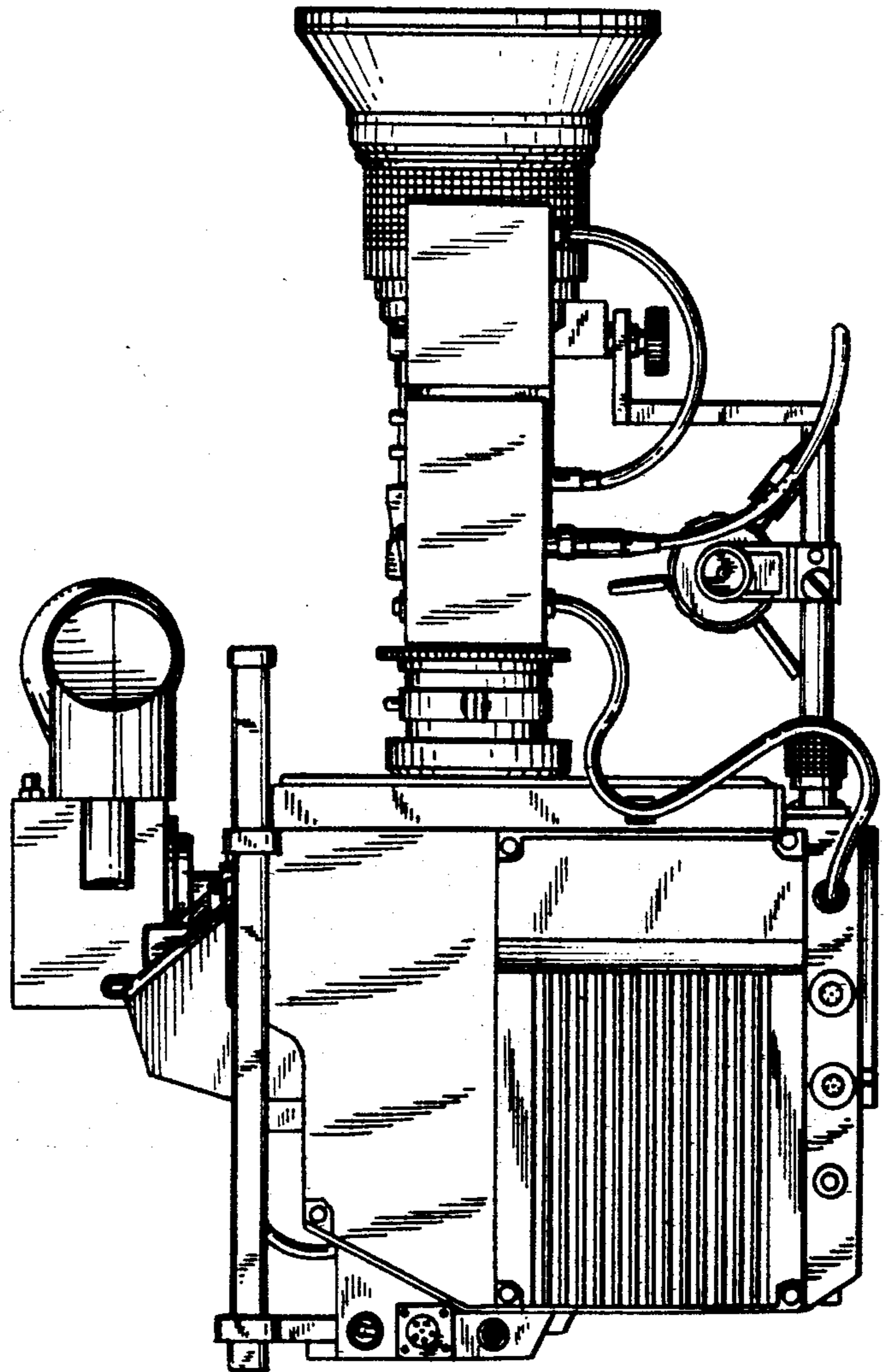


FIG. 3

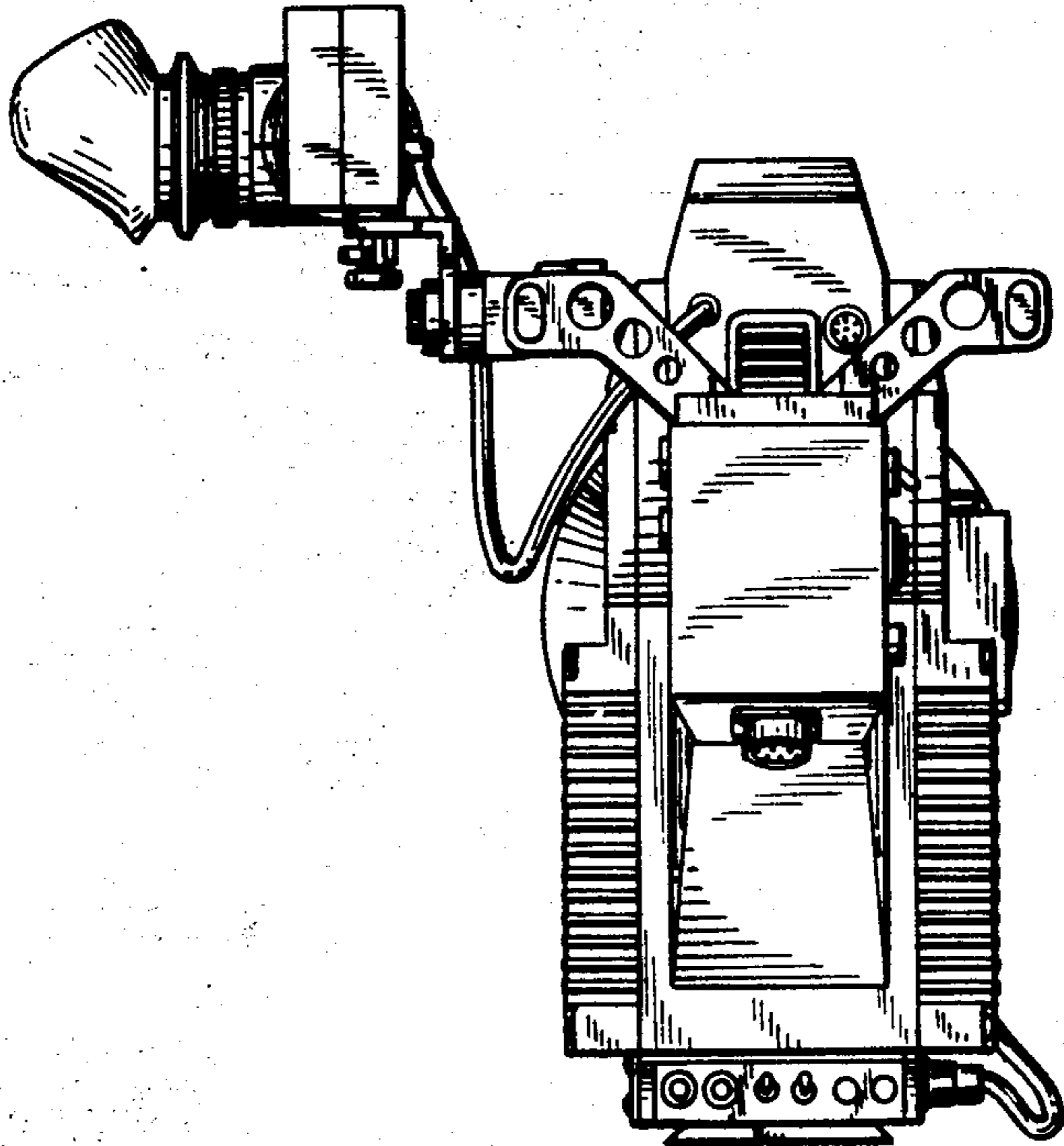


FIG. 7

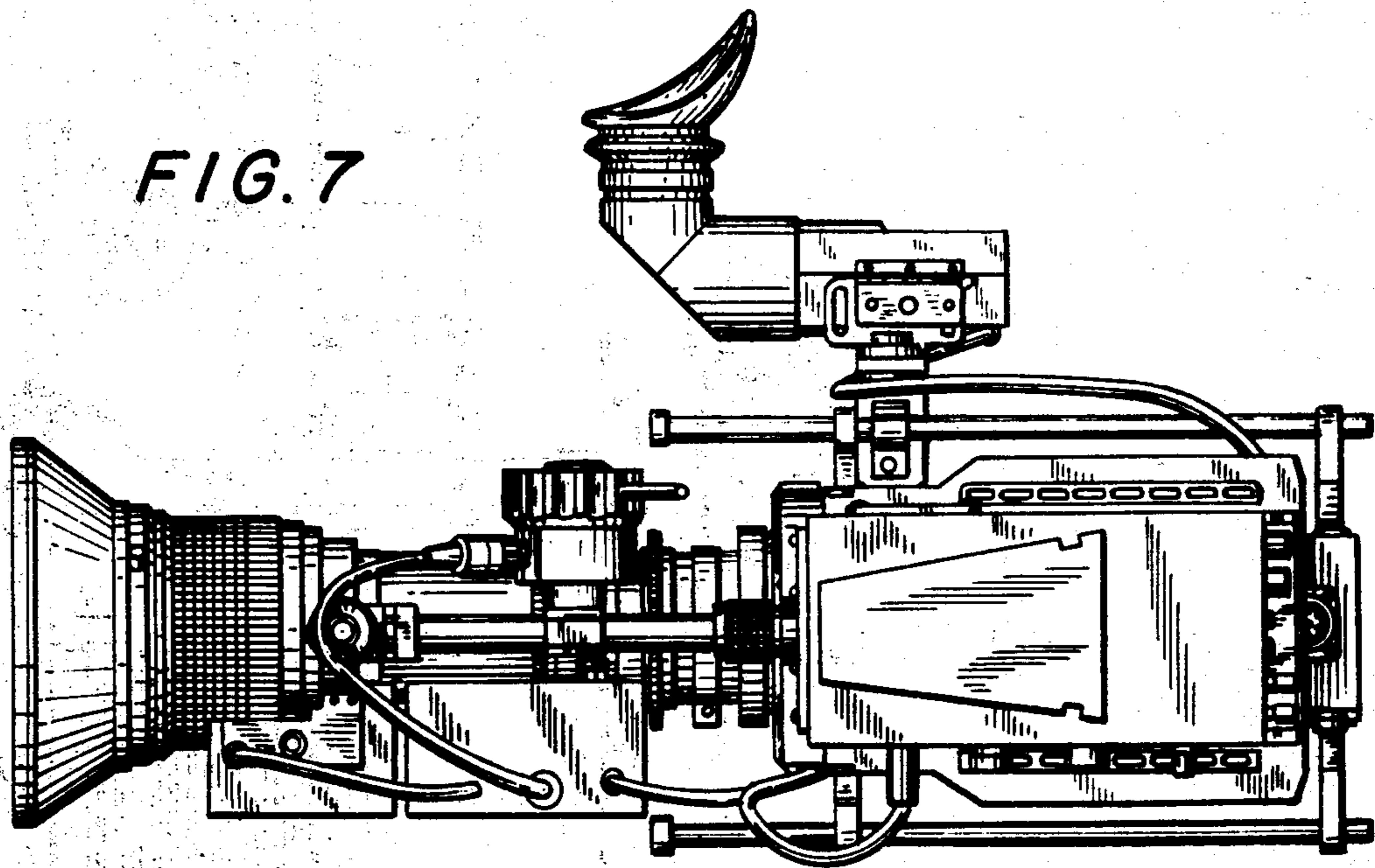


FIG. 5

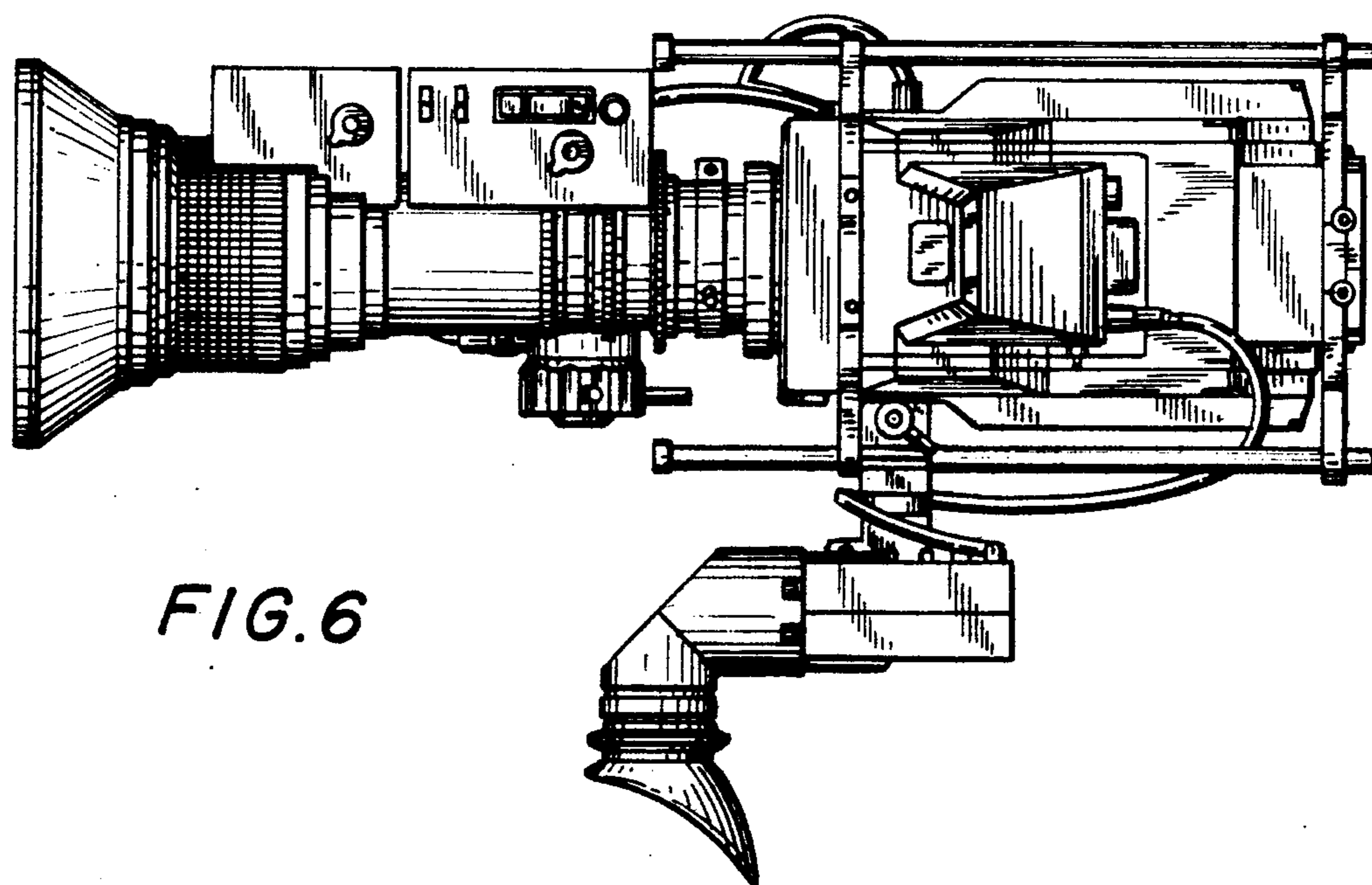
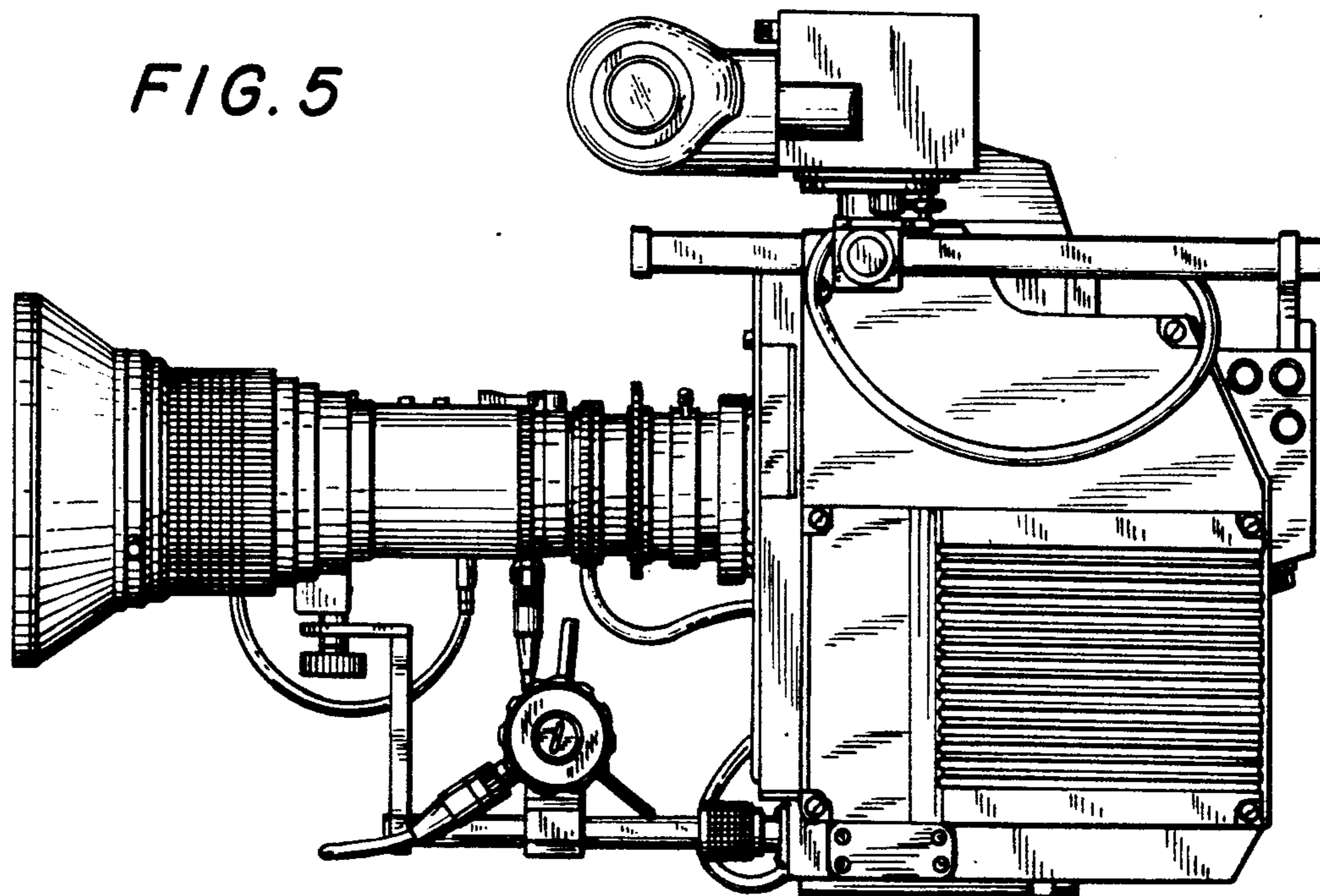


FIG. 6