

[54] TELEPHONE HEADSET HEARING AID

[75] Inventors: Jacek J. Wojcik, Nepean; Andrzej Przybysz, Ottawa; Peter R. Milton, Kanata, all of Canada

[73] Assignee: Northern Telecom Limited, Montreal, Canada

[\*\*] Term: 14 Years

[21] Appl. No.: 636,376

[22] Filed: Jul. 31, 1984

[52] U.S. Cl. .... D14/67; D14/59; D14/36

[58] Field of Search ..... D14/59, 67, 36, 57; 455/89; 179/156 R, 182 R, 107 H, 182 A, 179.2 C, 107 R, 157

[56] References Cited

U.S. PATENT DOCUMENTS

|           |         |             |       |           |
|-----------|---------|-------------|-------|-----------|
| 2,991,333 | 7/1961  | Rose        | ..... | 179/107 H |
| 3,192,326 | 6/1965  | Chapman     | ..... | D14/36    |
| 3,919,501 | 11/1975 | Cech et al. | ..... | 179/156 R |
| 4,389,542 | 6/1983  | Görrike     | ..... | 179/182 R |

|           |         |           |       |           |
|-----------|---------|-----------|-------|-----------|
| 4,409,442 | 10/1983 | Kamimura  | ..... | 179/156 R |
| 4,455,457 | 6/1984  | Akira     | ..... | 179/156 R |
| 4,484,029 | 11/1984 | Kenney    | ..... | 455/89    |
| 4,529,058 | 7/1985  | Emery     | ..... | 179/182 R |
| 4,538,034 | 8/1985  | French    | ..... | 179/182 H |
| 4,546,215 | 10/1985 | Ferraro   | ..... | D14/67    |
| 4,551,584 | 11/1985 | Mathiasen | ..... | 179/156 R |

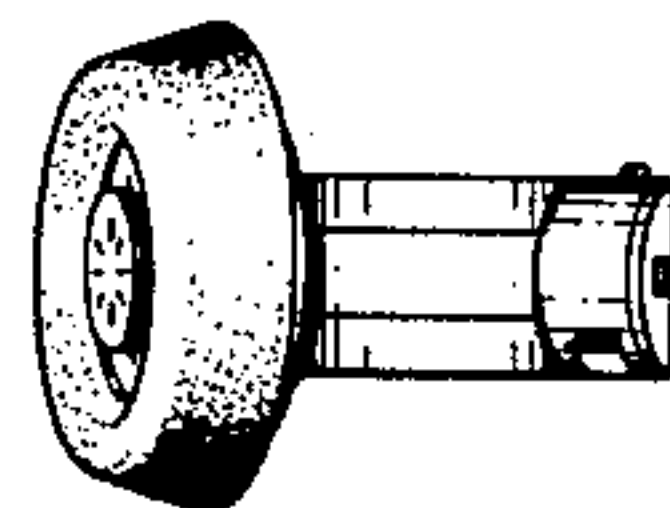
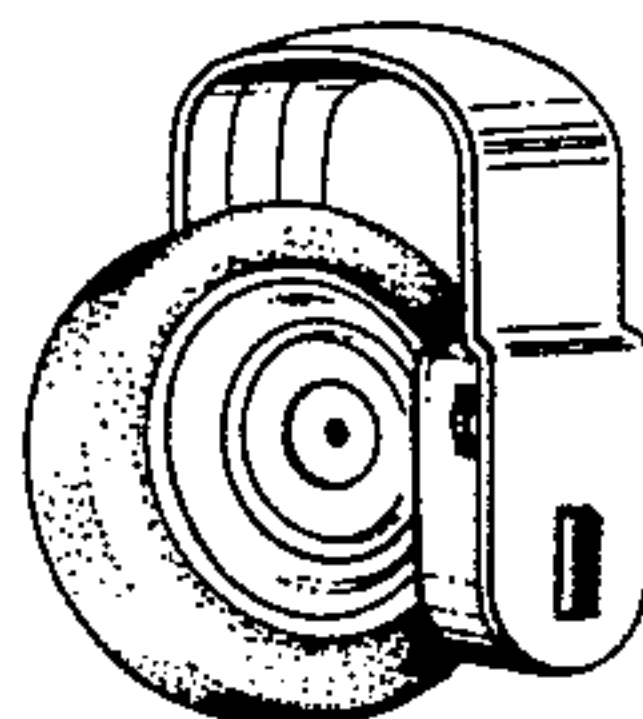
Primary Examiner—Wallace R. Burke  
Assistant Examiner—Horace B. Fay  
Attorney, Agent, or Firm—John E. Mowle

[57] CLAIM

The ornamental design for a telephone headset hearing aid, substantially as shown and described.

DESCRIPTION

FIG. 1 is a front, partial top and right side perspective view of a telephone handset hearing aid showing my new design;  
FIG. 2 is a top plan view thereof;  
FIG. 3 is a rear elevational view thereof;  
FIG. 4 is a front elevational view thereof;  
FIG. 5 is a bottom plan view thereof; and  
FIGS. 6 and 7 are respectively right and left side elevational views thereof.



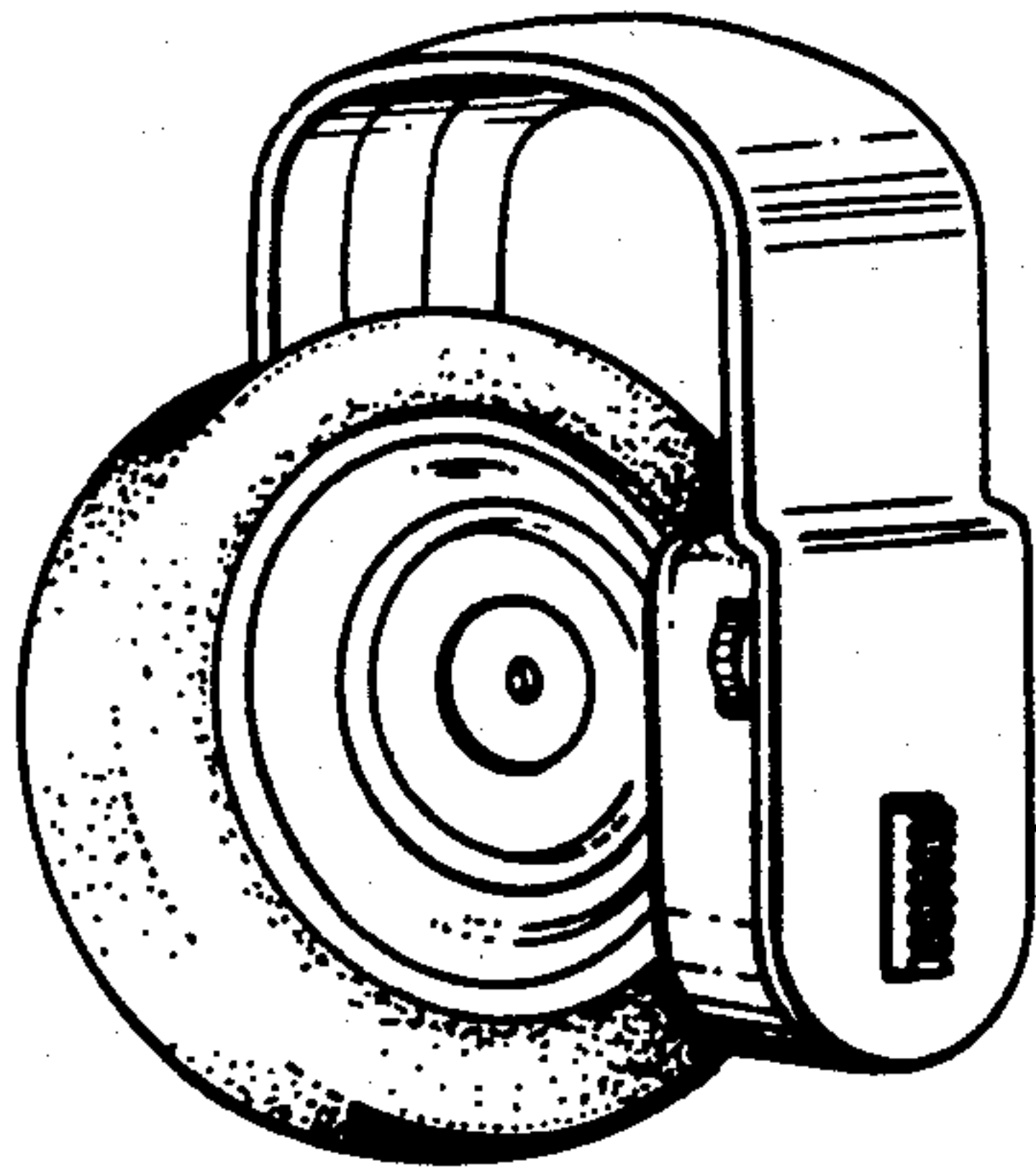


FIG. 1

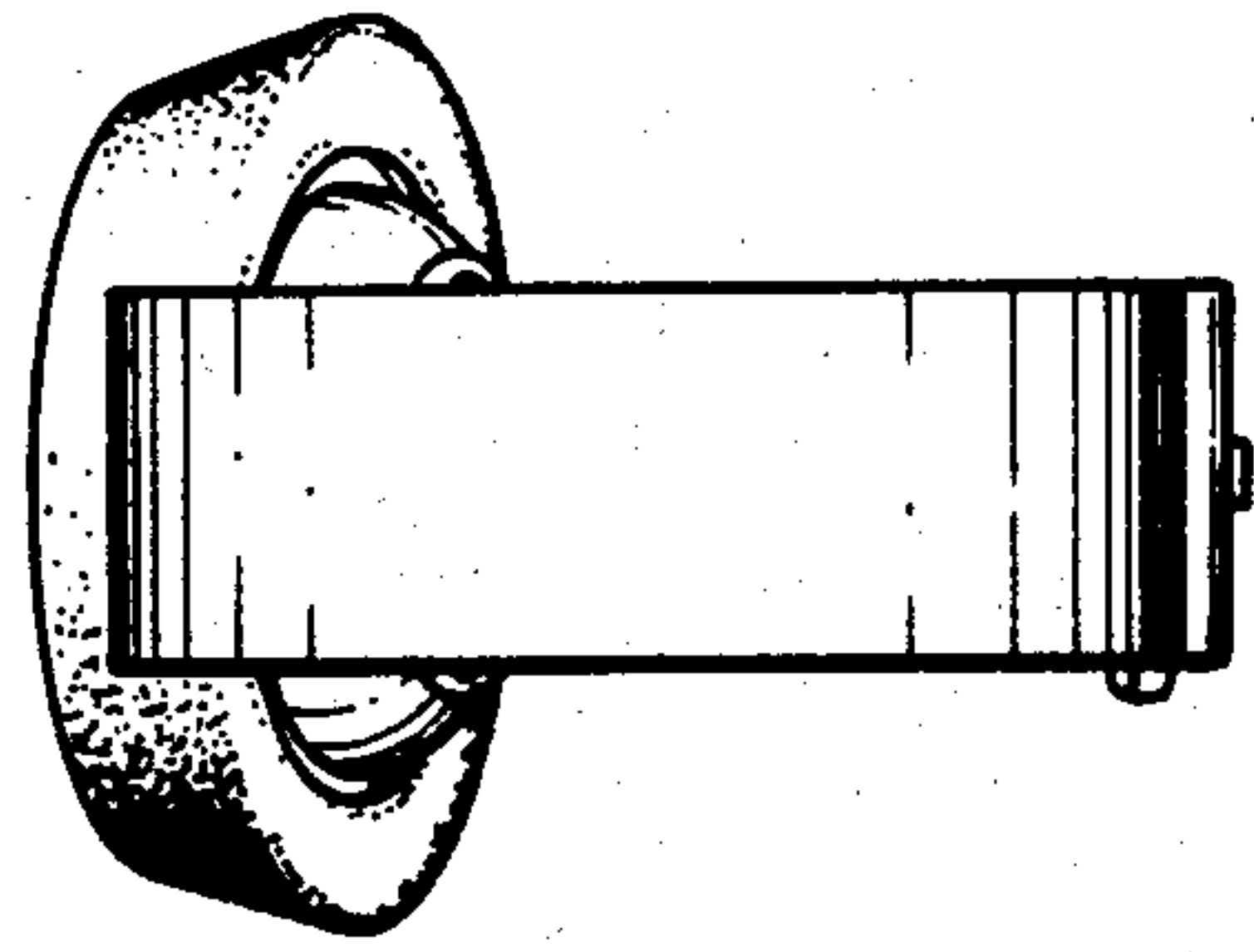


FIG. 2

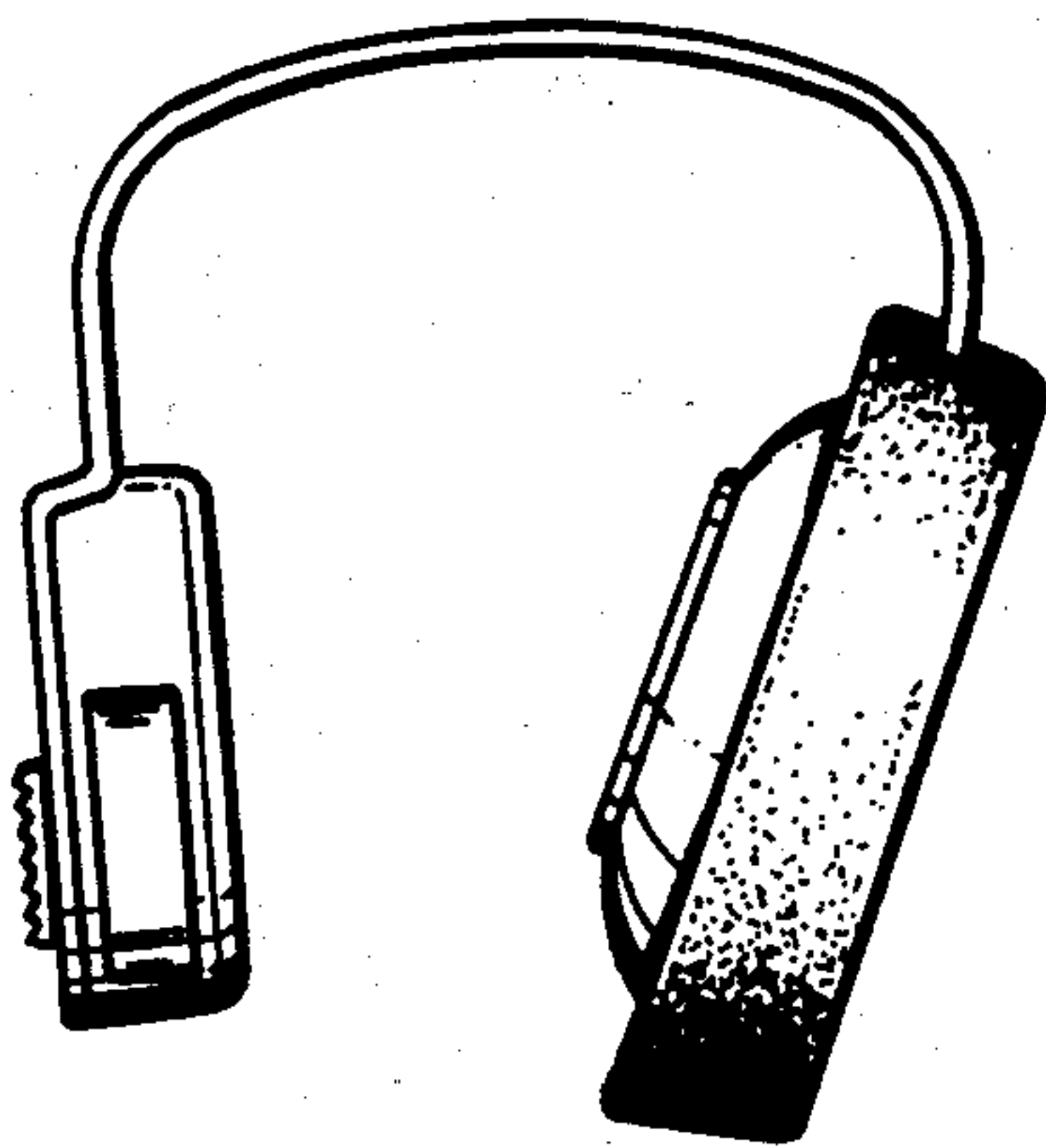


FIG. 3

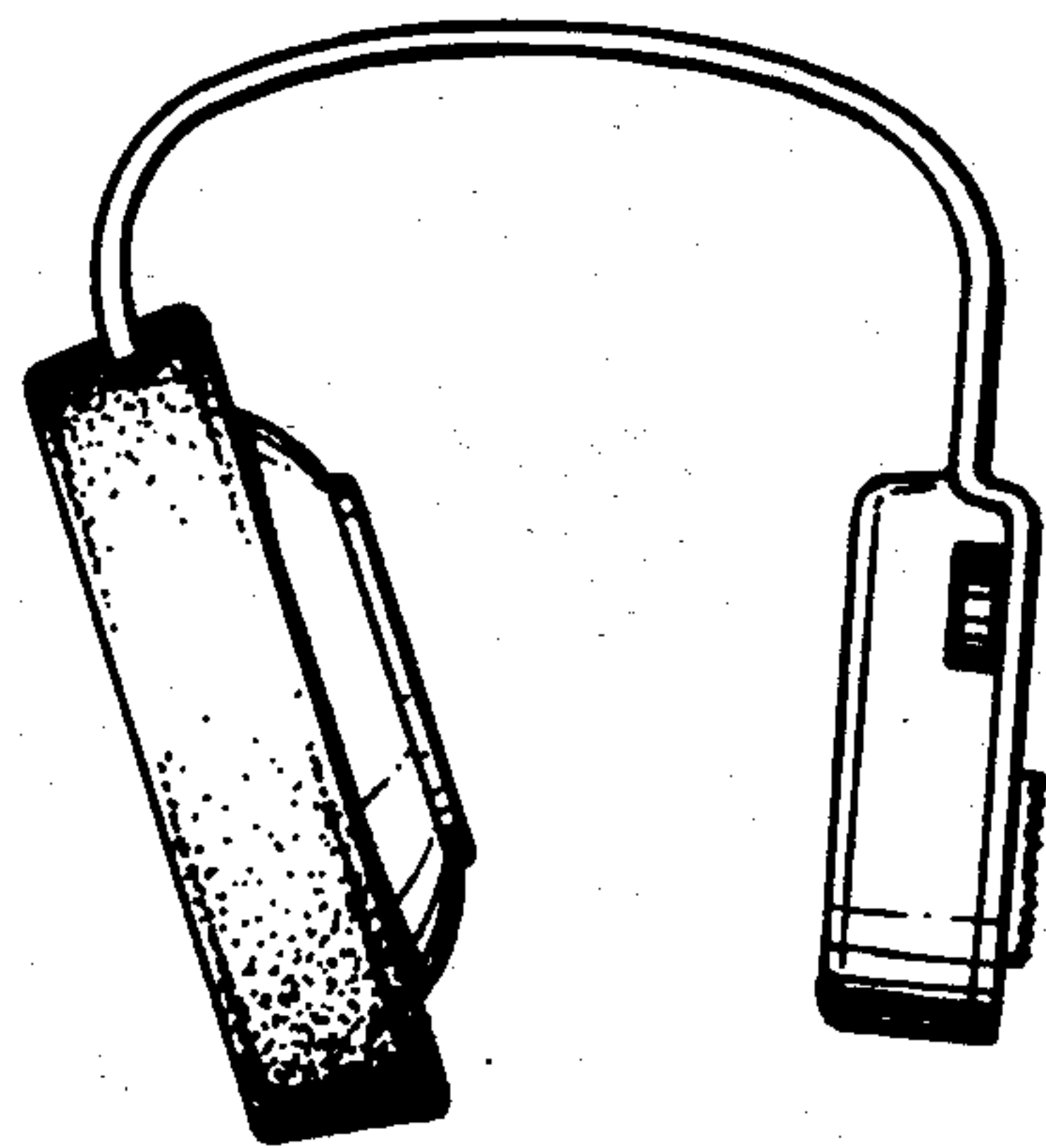


FIG. 4

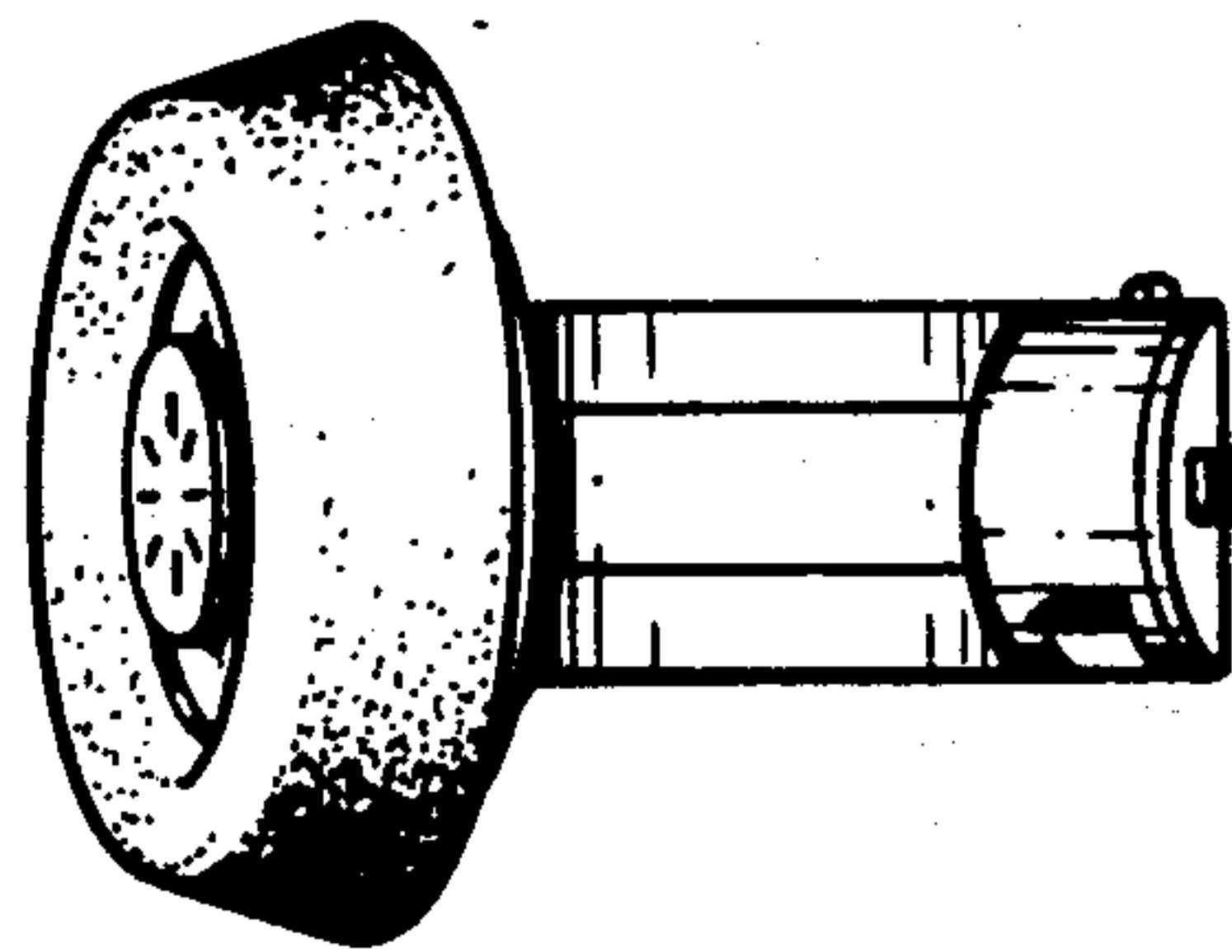


FIG. 5

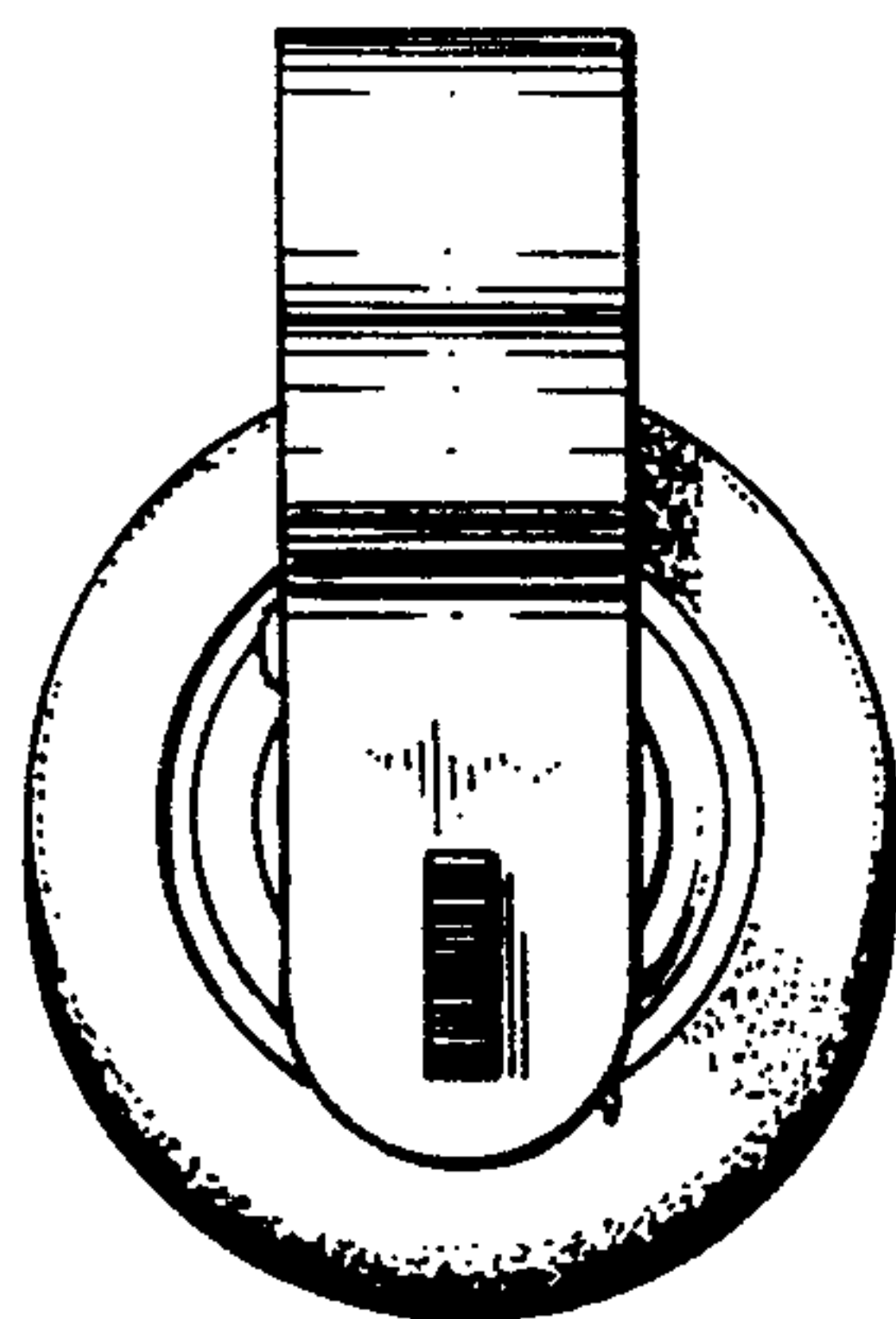


FIG. 6

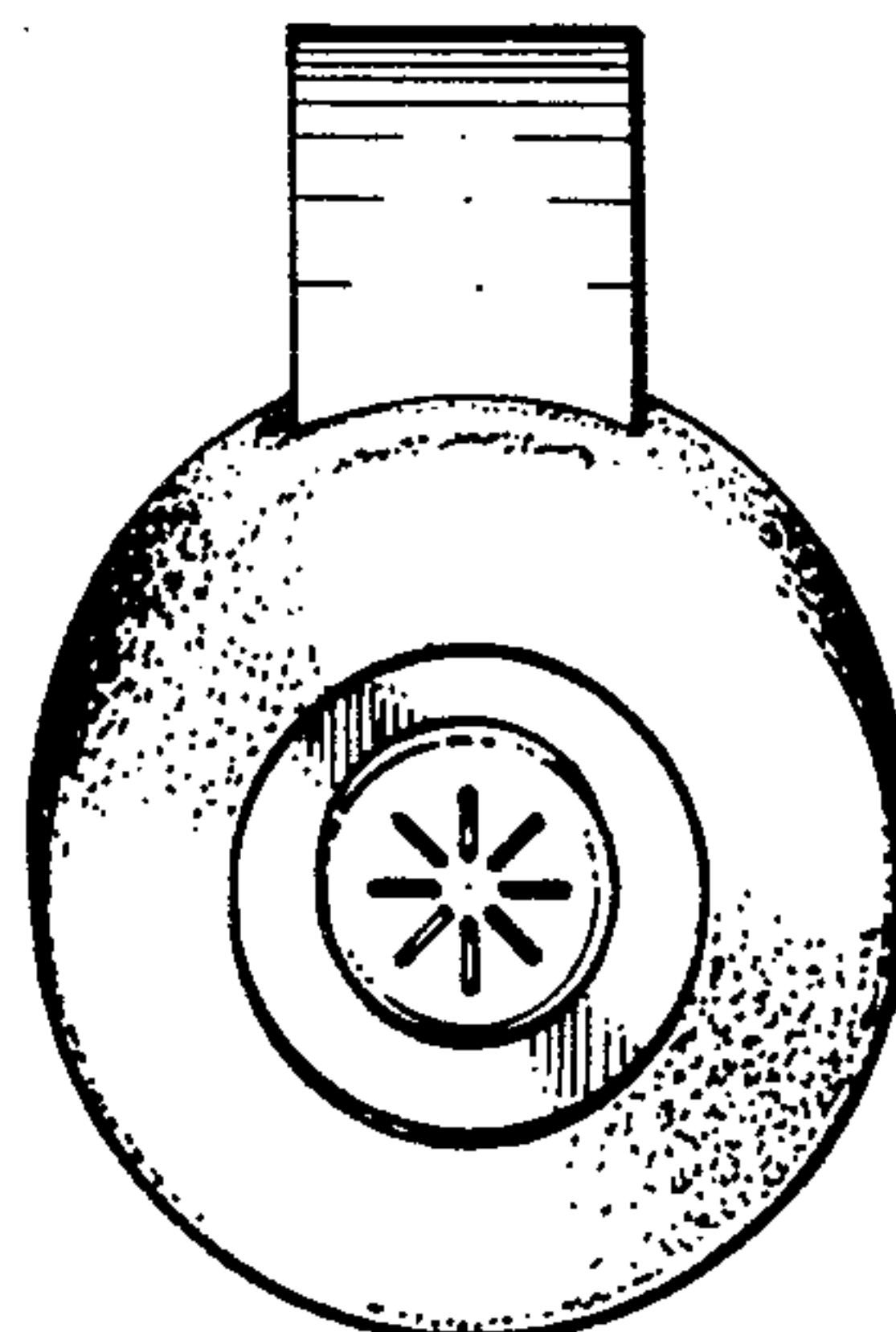


FIG. 7