

[54] **CAR SPEAKER**

[75] **Inventor: You Takagi, Kanagawa, Japan**

[73] **Assignee: Pioneer Electronic Corporation,
Tokyo, Japan**

[**] **Term: 14 Years**

[21] **Appl. No.: 646,540**

[22] **Filed: Sep. 4, 1984**

[30] **Foreign Application Priority Data**

Mar. 5, 1984 [JP] Japan 59-8291

[52] **U.S. Cl. D14/30; D14/34**

[58] **Field of Search D14/30, 32-34,
D14/37, 39; 181/148, 151, 198, 199, 153-157;
381/56, 57, 82, 91; 179/146 E, 181 R**

[56] **References Cited**

U.S. PATENT DOCUMENTS

D. 276,153 10/1984 Iijima D14/30
D. 281,065 10/1985 Katsuno D14/37 X
D. 281,241 11/1985 Kawachi D14/30
D. 281,596 12/1985 Iijima D14/30
D. 283,124 3/1986 Kolb D14/33 X

Primary Examiner—Louis S. Zarfes
Attorney, Agent, or Firm—Sughrue, Mion, Zinn,
Macpeak, and Seas

[57] **CLAIM**

The ornamental design for a car speaker, as shown.

DESCRIPTION

FIG. 1 is a top plan view of a car speaker showing my new design;
FIG. 2 is a bottom plan view thereof;
FIG. 3 is a right side elevational view thereof;
FIG. 4 is a left side elevational view thereof;
FIG. 5 is a top plan view thereof;
FIG. 6 is a bottom plan view thereof; and
FIG. 7 is a perspective view thereof.

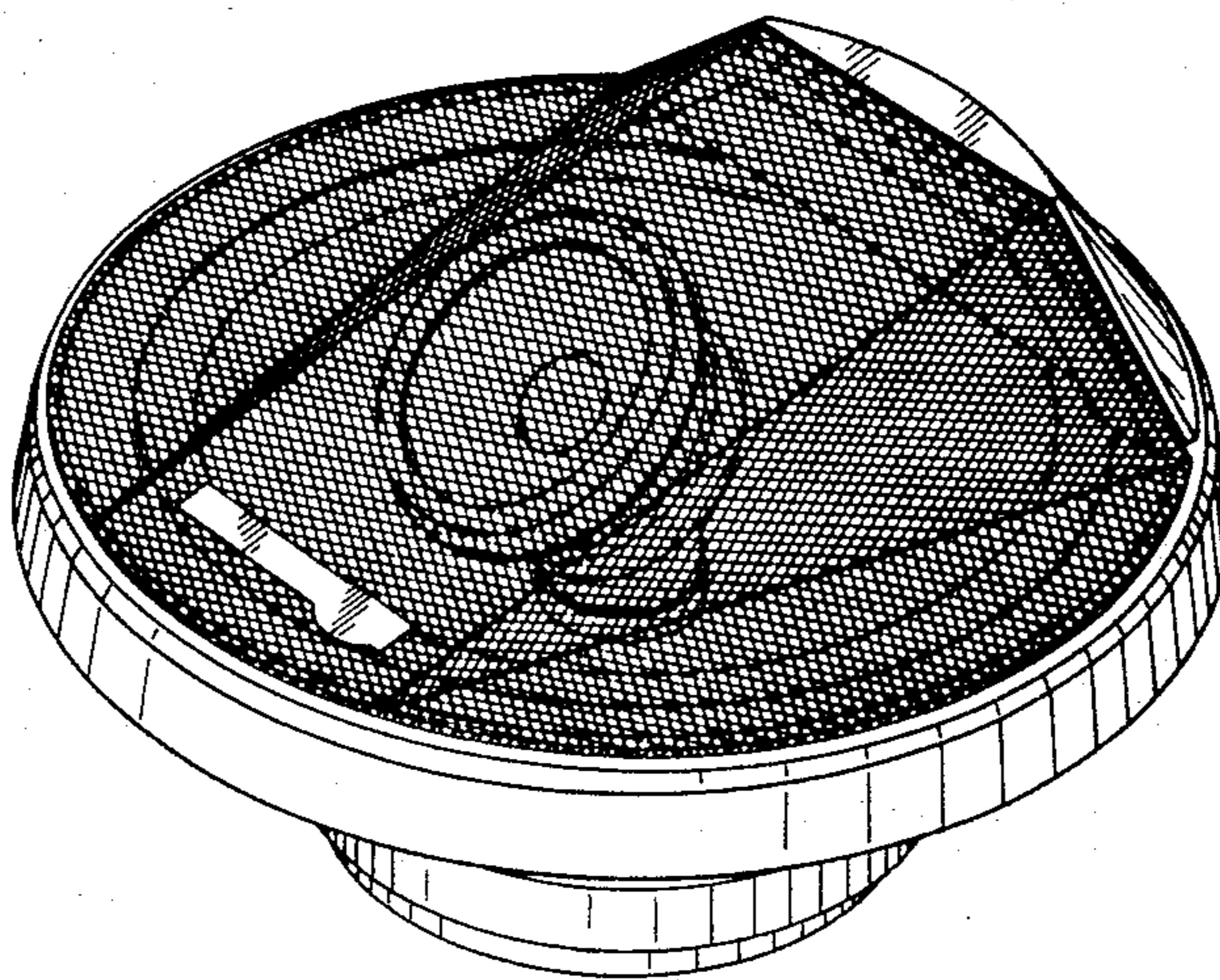


FIG. 1

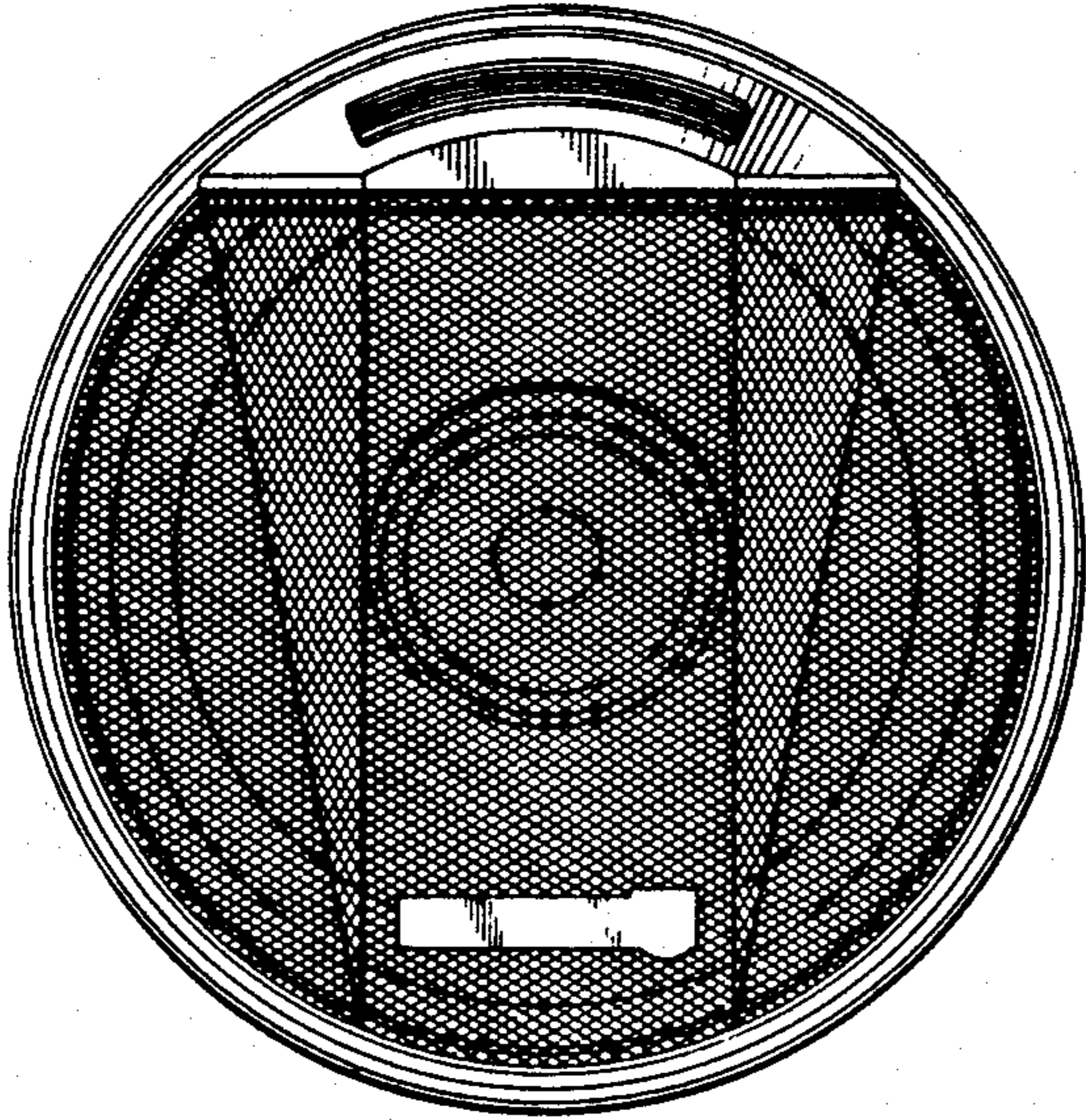


FIG. 3

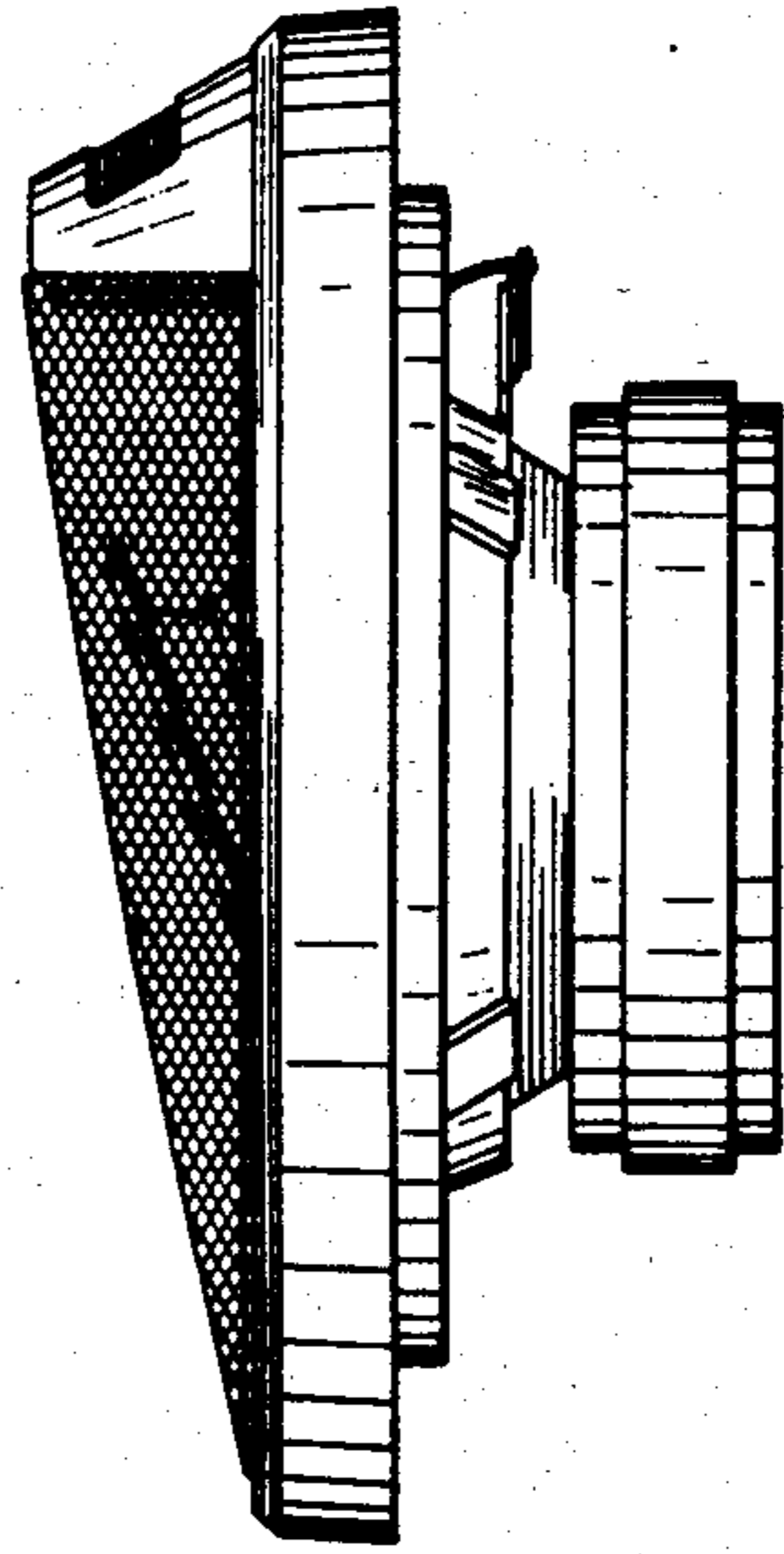


FIG. 2

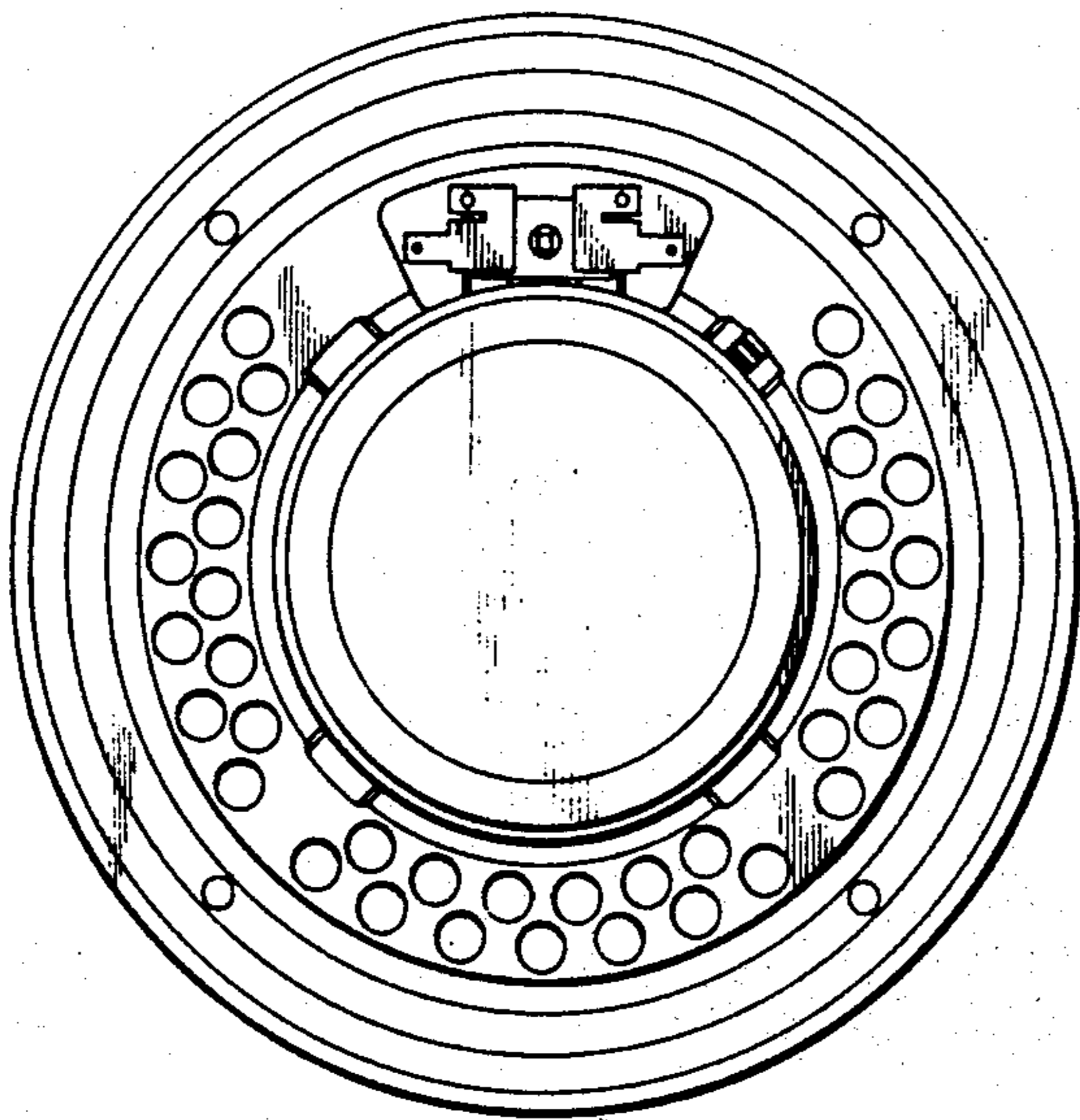


FIG. 4

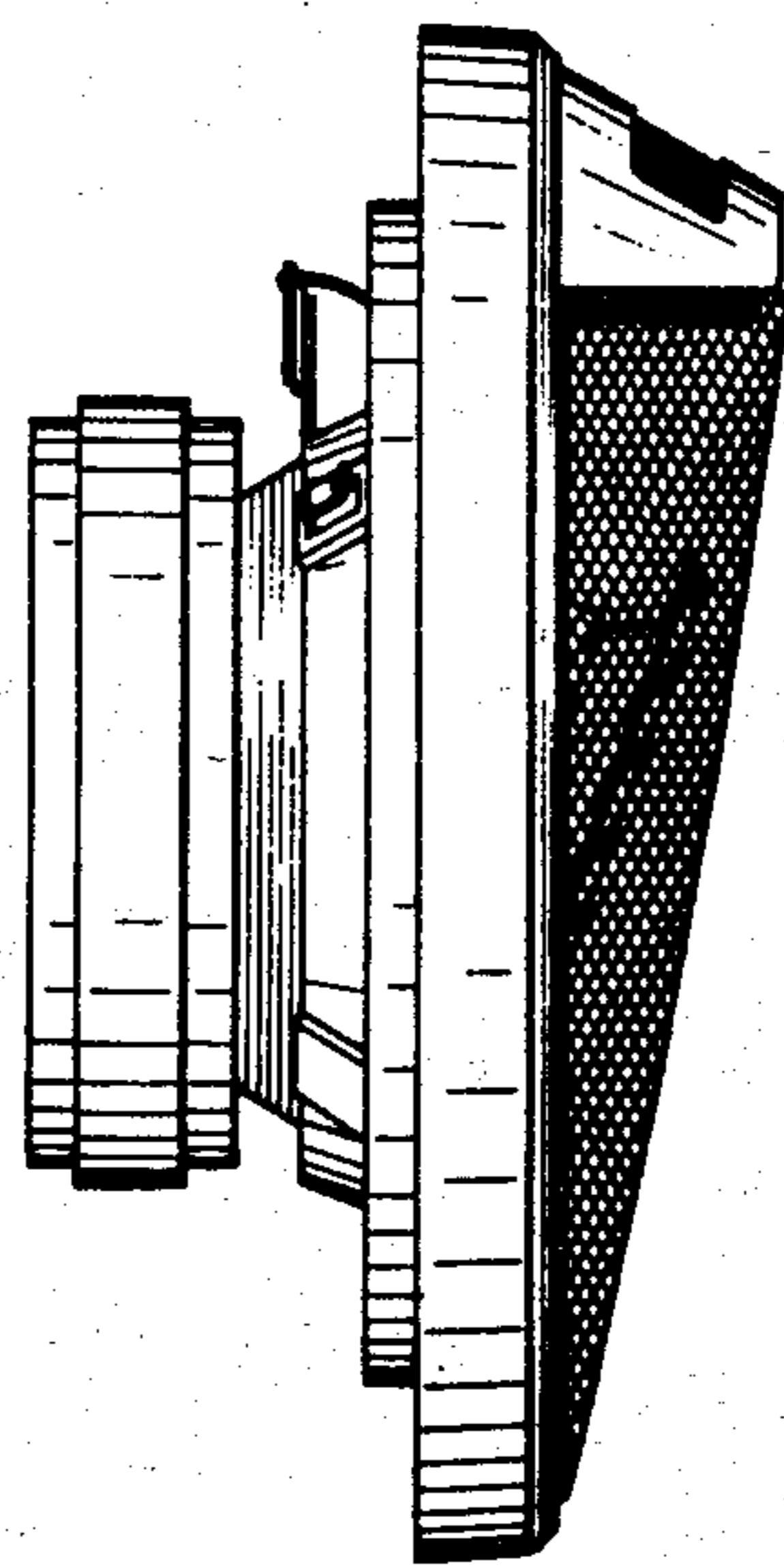


FIG. 5

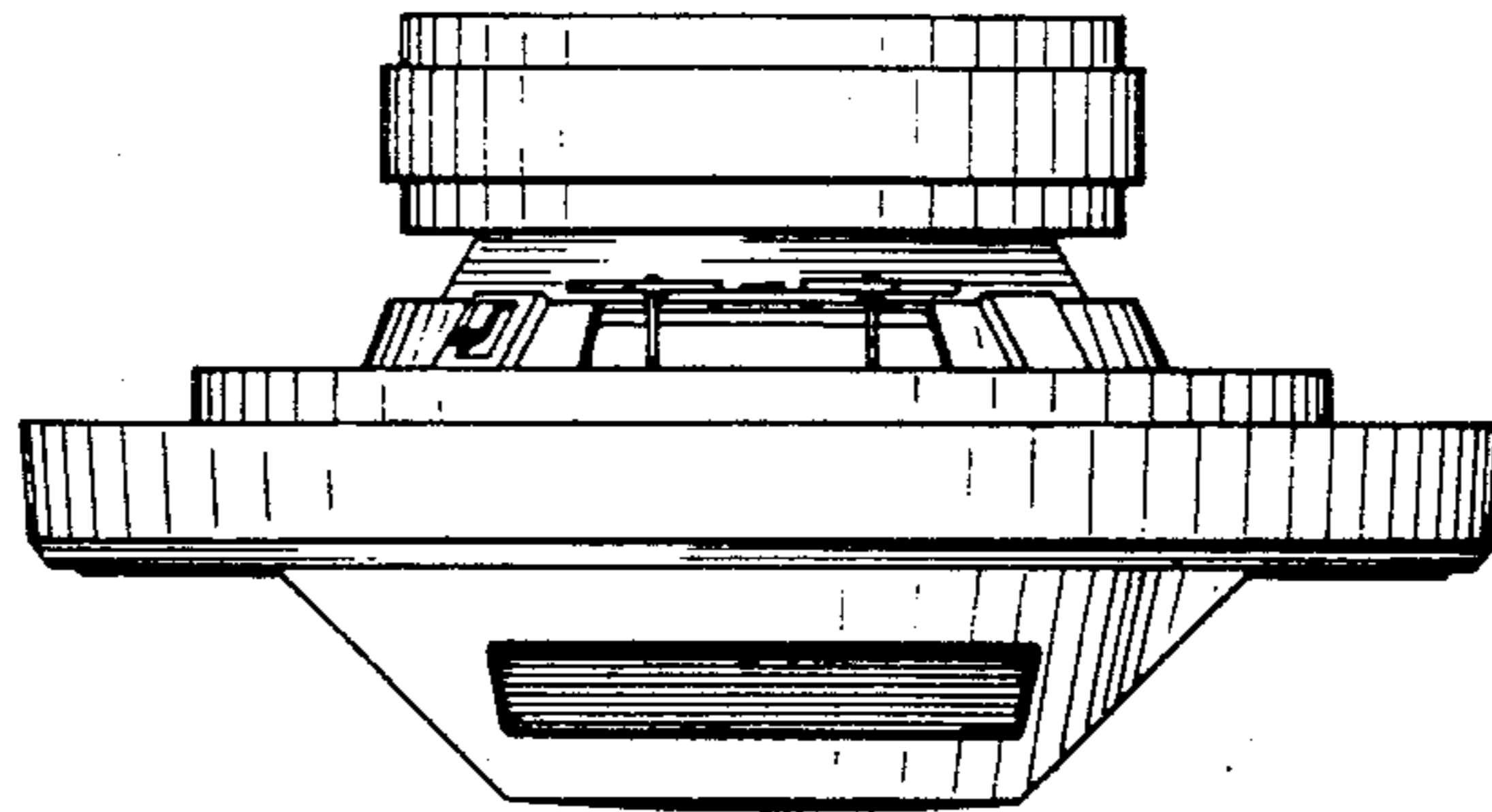


FIG. 6

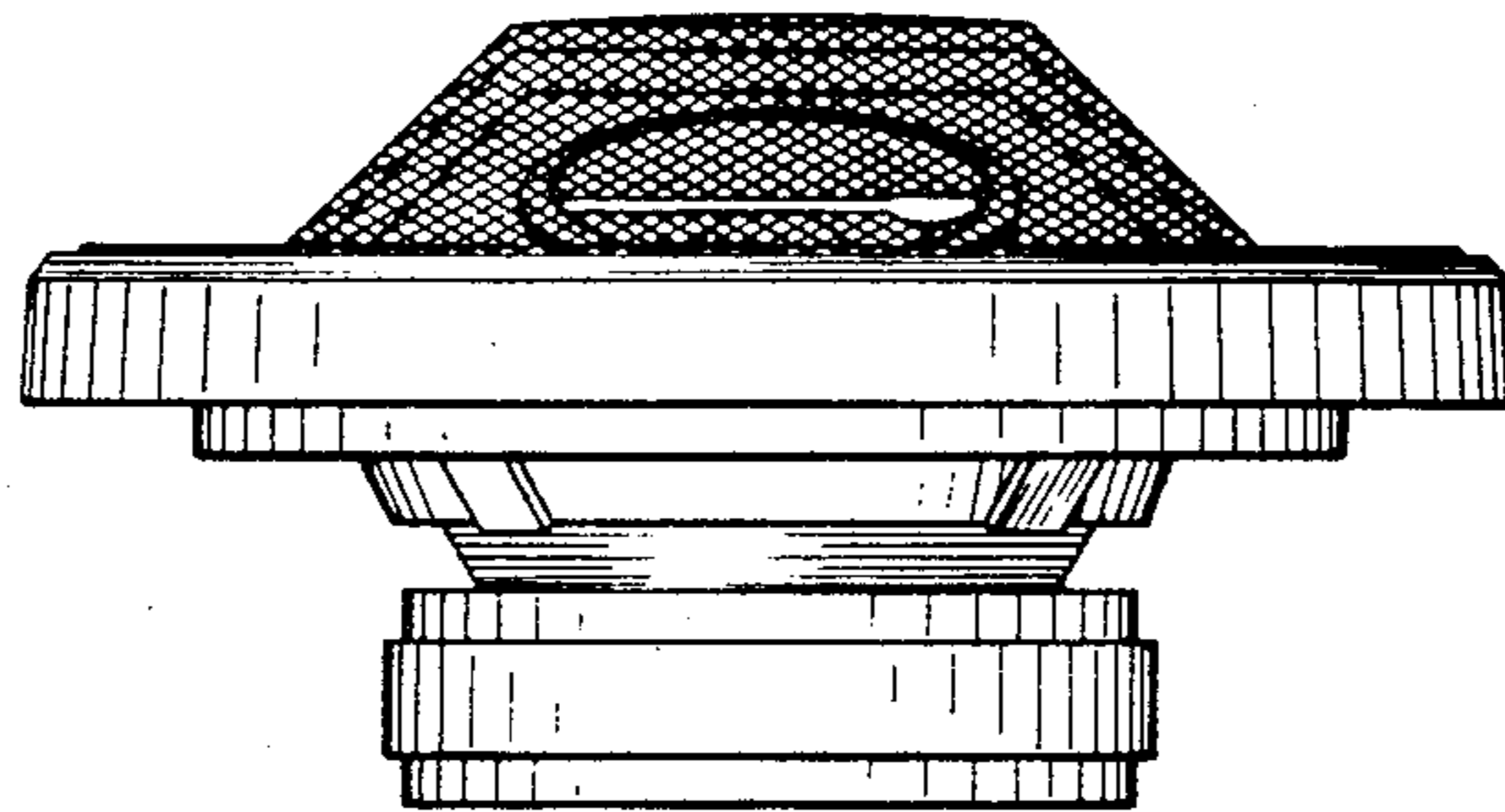


FIG. 7

