

[54] **EXTERIOR ROOF PANEL OF A CAP FOR THE BED OF A PICKUP TRUCK**

[76] **Inventor: John Collins, 58288 Ventura Dr., Elkhart, Ind. 46517**

[**] **Term: 14 Years**

[21] **Appl. No.: 757,870**

[22] **Filed: Jul. 23, 1985**

Related U.S. Application Data

[63] Continuation of Ser. No. 467,779, Feb. 18, 1983, Pat. No. Des. 281,488.

[52] **U.S. Cl. D12/156**

[58] **Field of Search D12/156; 296/99 R, 100, 296/10, 164**

[56] **References Cited**

U.S. PATENT DOCUMENTS

D. 236,455 8/1975 Robertson D12/156
D. 267,793 2/1983 Skidmore D12/156
D. 271,757 12/1983 Miller D12/156

OTHER PUBLICATIONS

R. V. Business, 4/83, p. 76, Leer Pickup Truck Caps.
R. V. Dealer, 1/82, p. 49, Custom Craft Pickup Truck Caps.

Mobile Home/Travel Trailer Dealer, 12/5/67, p. 153, Cap for El Camino, center of page.

R. V. Dealer, 11/81, Leer advertisement page, "Macho" Pickup Truck Cap, top left side of page.

Primary Examiner—James M. Gandy

Attorney, Agent, or Firm—Barnes & Thornburg

[57] **CLAIM**

The ornamental design for an exterior roof panel of a cap for the bed of a pickup truck, as shown and described.

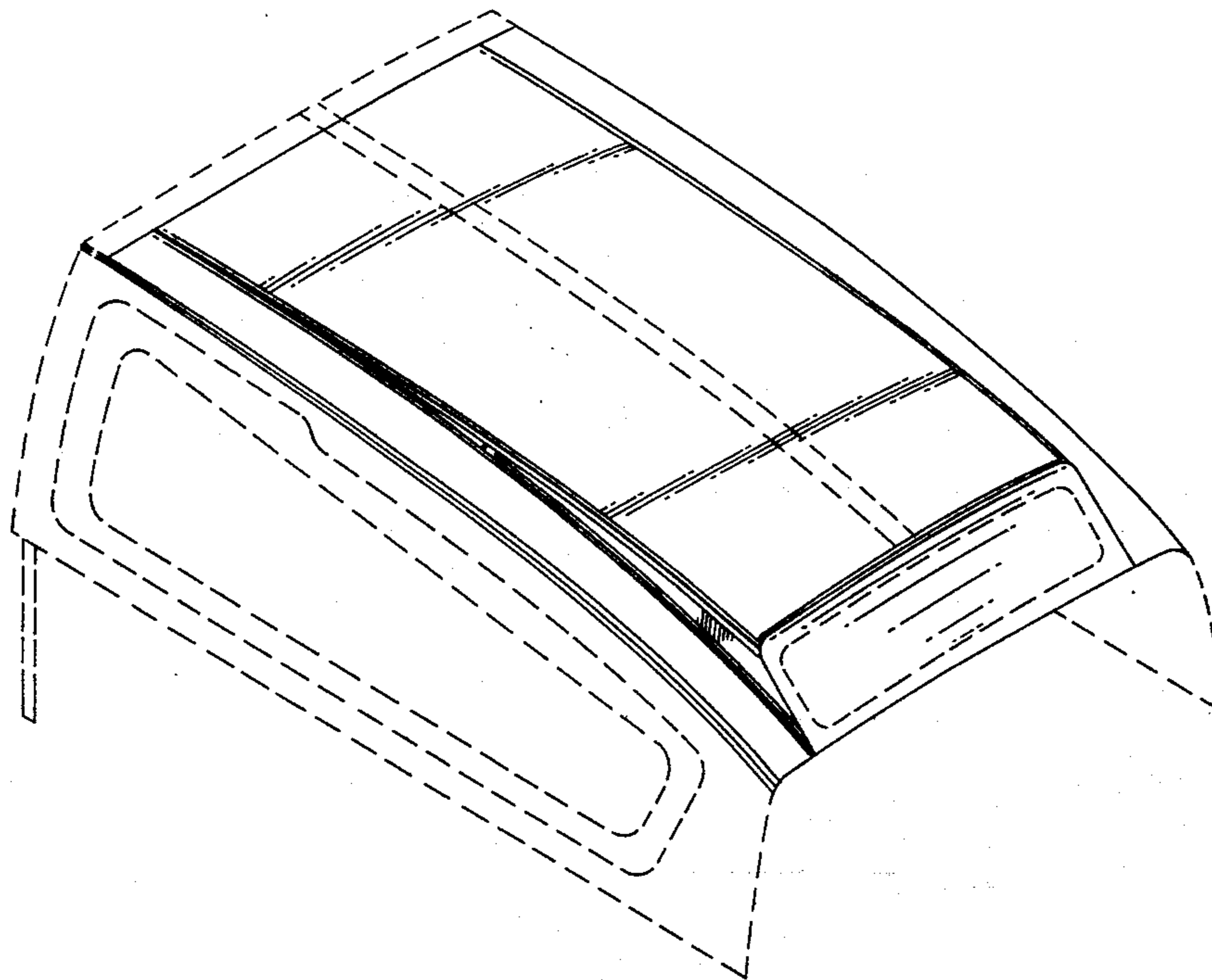
DESCRIPTION

FIG. 1 is a perspective view of the top, front and right side of an exterior roof panel of a cap for the bed of a pickup truck showing my new design, it being understood that the broken lines are for illustrative purposes only;

FIG. 2 is a left side elevation view thereof;

FIG. 3 is a front elevation view thereof.

The portions of the drawings shown in broken lines are for illustrative and background purposes only and do not constitute a portion of the claimed design.



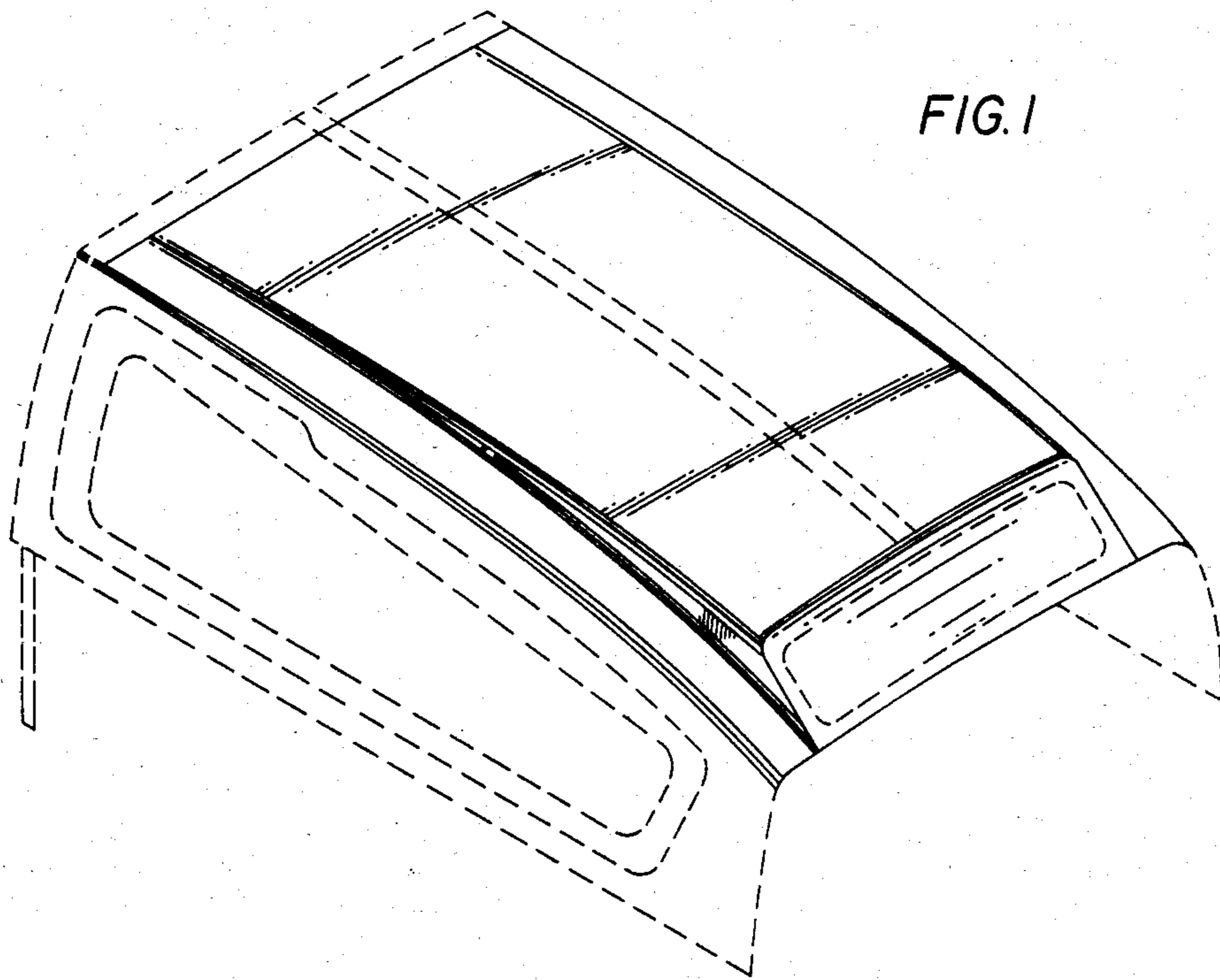


FIG. 1

FIG. 2

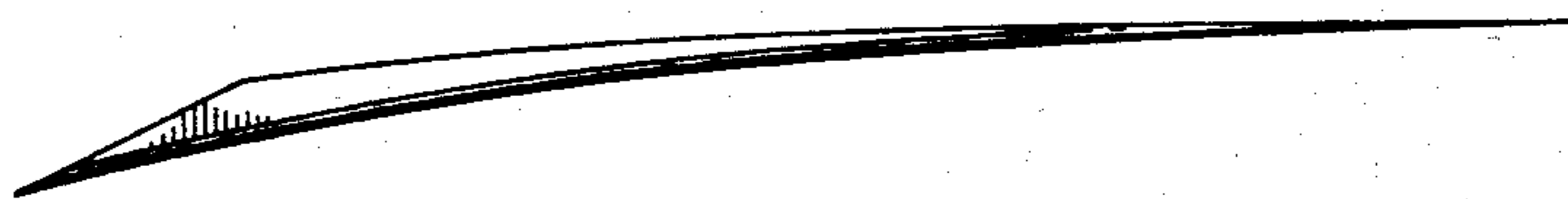
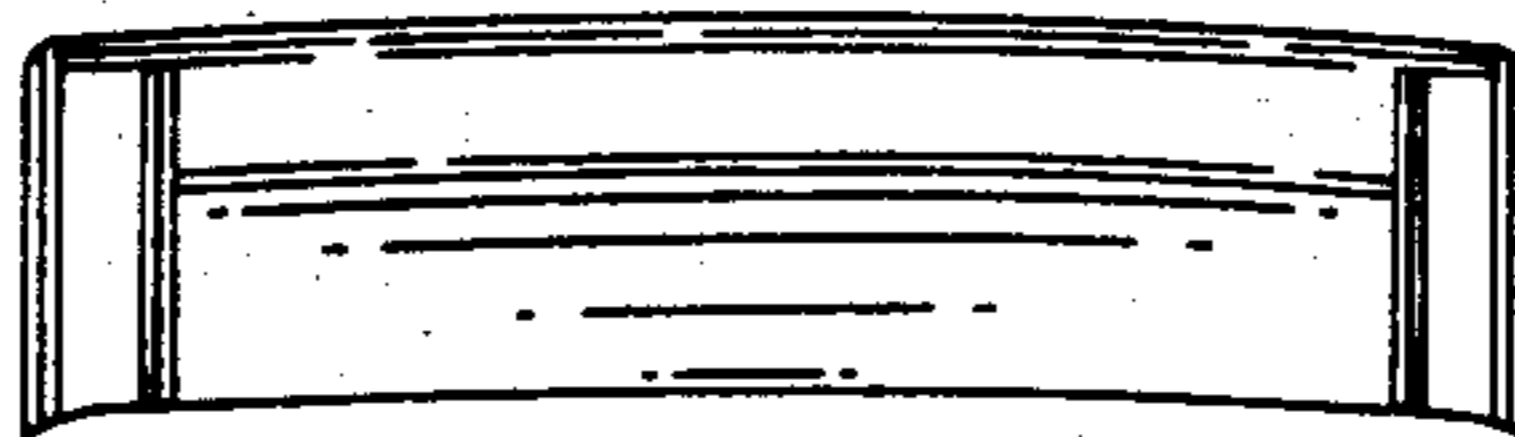


FIG. 3



UNITED STATES PATENT AND TRADEMARK OFFICE
CERTIFICATE OF CORRECTION

PATENT NO. : Des. 289,276
DATED : April 14, 1987
INVENTOR(S) : John Collins

It is certified that error appears in the above-identified patent and that said Letters Patent is hereby corrected as shown below: On the Title Page:

In Item 63, please delete "Continuation of Ser. No. 467,779, Feb. 18, 1983, Pat. No. Des. 281,488" and insert therefor --Division of design application, Ser. No. 467,779, filed Feb. 18, 1983, Pat. No. Des. 281,488.--

**Signed and Sealed this
Sixth Day of October, 1987**

Attest:

Attesting Officer

DONALD J. QUIGG

Commissioner of Patents and Trademarks